



US00D897605S

(12) **United States Design Patent**
Dalton

(10) **Patent No.:** **US D897,605 S**

(45) **Date of Patent:** **** Sep. 29, 2020**

(54) **ADJUSTABLE PIN FOR A FINGERNAIL CLIPPER**

(71) Applicant: **Michael T. Dalton**, Blairsville, GA (US)

(72) Inventor: **Michael T. Dalton**, Blairsville, GA (US)

(**) Term: **15 Years**

(21) Appl. No.: **29/692,326**

(22) Filed: **May 24, 2019**

Related U.S. Application Data

(63) Continuation-in-part of application No. 29/633,996, filed on Jan. 17, 2018, now Pat. No. Des. 863,683.

(51) **LOC (12) Cl.** **28-03**

(52) **U.S. Cl.**
USPC **D28/60**

(58) **Field of Classification Search**
USPC D28/56-60, 99; D8/106, 383, 387
CPC A47G 29/08; A35D 2033/001; A45D 33/003; A45D 33/006; A45D 33/008; A45D 33/22; A45D 33/24; A45D 33/26; A45D 29/02; A45D 29/04; A45D 29/18
See application file for complete search history.

(56) **References Cited**

U.S. PATENT DOCUMENTS

2,477,782	A *	8/1949	Bassett	A45D 29/02 132/75.5
2,995,820	A *	8/1961	Pocoski	A45D 29/023 30/28
3,555,675	A *	1/1971	Jurena	A45D 29/02 30/28
4,196,514	A *	4/1980	Merriman	A45D 29/023 30/124

(Continued)

OTHER PUBLICATIONS

AdjustableClippers.com by Mike Dalton—Kickstarter, published Dec. 31, 2018, retrieved on May 11, 2020, retrieved from the Internet URL: <https://www.kickstarter.com/projects/adjustableclippers/adjustableclipperscomtm>.*

(Continued)

Primary Examiner — Jennifer Rivard

Assistant Examiner — Alison M Ofstun

(74) *Attorney, Agent, or Firm* — Clifford H. Kraft

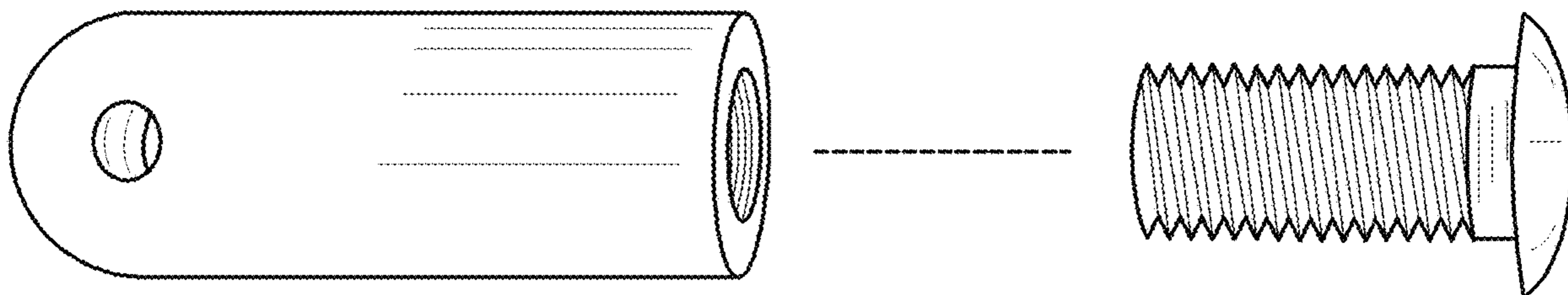
(57) **CLAIM**

The ornamental design for an adjustable pin for a fingernail clipper, as shown and described.

DESCRIPTION

FIG. 1 is an exploded perspective view of an adjustable pin for a fingernail clipper, showing my new design; FIG. 2 is a left side view of the receptacle part of an adjustable pin for a fingernail clipper, shown separately to show aspects of the design that are not visible when combined. The right side view is a mirror image thereof; FIG. 3 is a top view thereof; FIG. 4 is a bottom view thereof; FIG. 5 is a back view thereof; FIG. 6 is a front view thereof; FIG. 7 is a left side view of the screw part of an adjustable pin for a fingernail clipper, shown separately to show aspects of the design that are not visible when combined. The right side, top and bottom views are a mirror image thereof; FIG. 8 is a front view thereof; FIG. 9 is a back view thereof; FIG. 10 is a side view of the receptacle part of the adjustable pin showing the location of the section 11-11; and, FIG. 11 is a sectional view thereof of the section marked in FIG. 10.

1 Claim, 5 Drawing Sheets



(56)

References Cited

U.S. PATENT DOCUMENTS

4,550,496 A * 11/1985 Reinicke A45D 29/023
132/75.5
4,637,137 A * 1/1987 Husain A45D 29/02
30/27
5,357,676 A * 10/1994 Bannett A45D 29/02
30/26
5,384,960 A * 1/1995 Tottenham A45D 29/02
132/75.5
5,490,327 A * 2/1996 Ohori A45D 29/02
132/75.5
5,870,826 A * 2/1999 Lewan A45D 29/02
30/28
D422,202 S * 4/2000 Maki D8/387
D430,007 S * 8/2000 Damour D8/387
6,438,845 B1 * 8/2002 Jung A45D 29/02
30/28

7,020,964 B2 * 4/2006 Han A45D 29/02
132/75.5
D590,704 S * 4/2009 Brunsteter D8/387
D666,486 S * 9/2012 Czipri D8/387
9,839,276 B2 * 12/2017 Yun A45D 29/02
D814,282 S * 4/2018 Baiz D8/387
D814,283 S * 4/2018 Shinbutsu D8/387
D821,187 S * 6/2018 Baiz D8/387
10,076,173 B1 * 9/2018 Kaidi A45D 29/02
D863,683 S * 10/2019 Dalton D28/60
2019/0239615 A1 * 8/2019 Dalton A45D 29/02

OTHER PUBLICATIONS

Dalton Clippers Compare by Mike Dalton—YouTube, published on Dec. 14, 2018, retrieved on May 14, 2020, retrieved from the Internet URL: https://www.youtube.com/watch?v=JvqEPsYI7Ww&feature=emb_logo.*

* cited by examiner

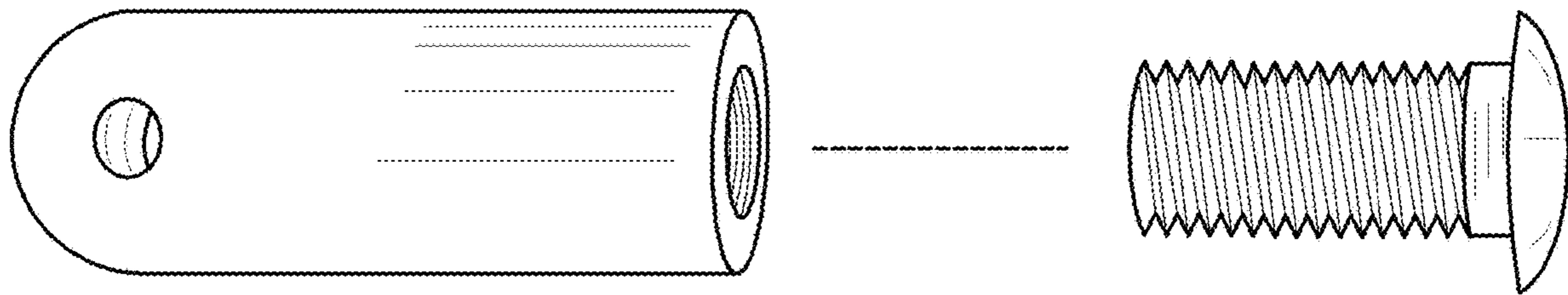


Fig. 1

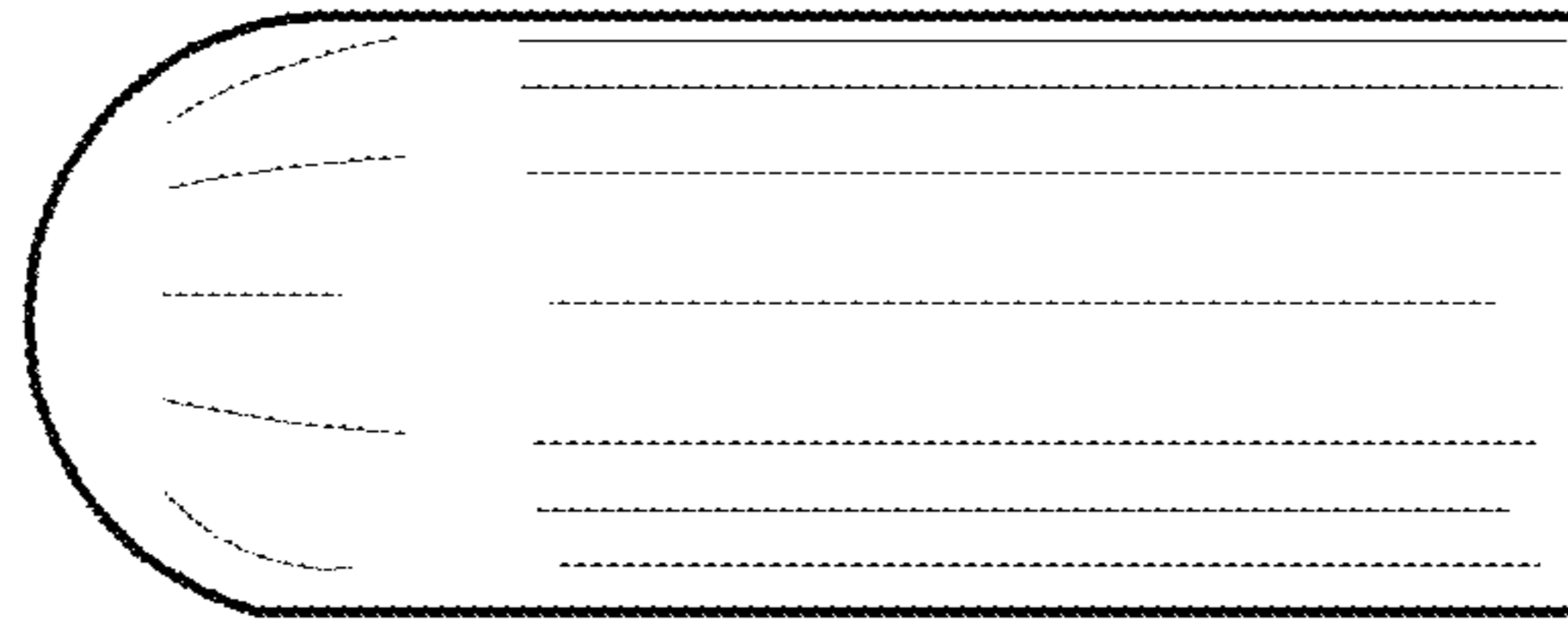


Fig. 4

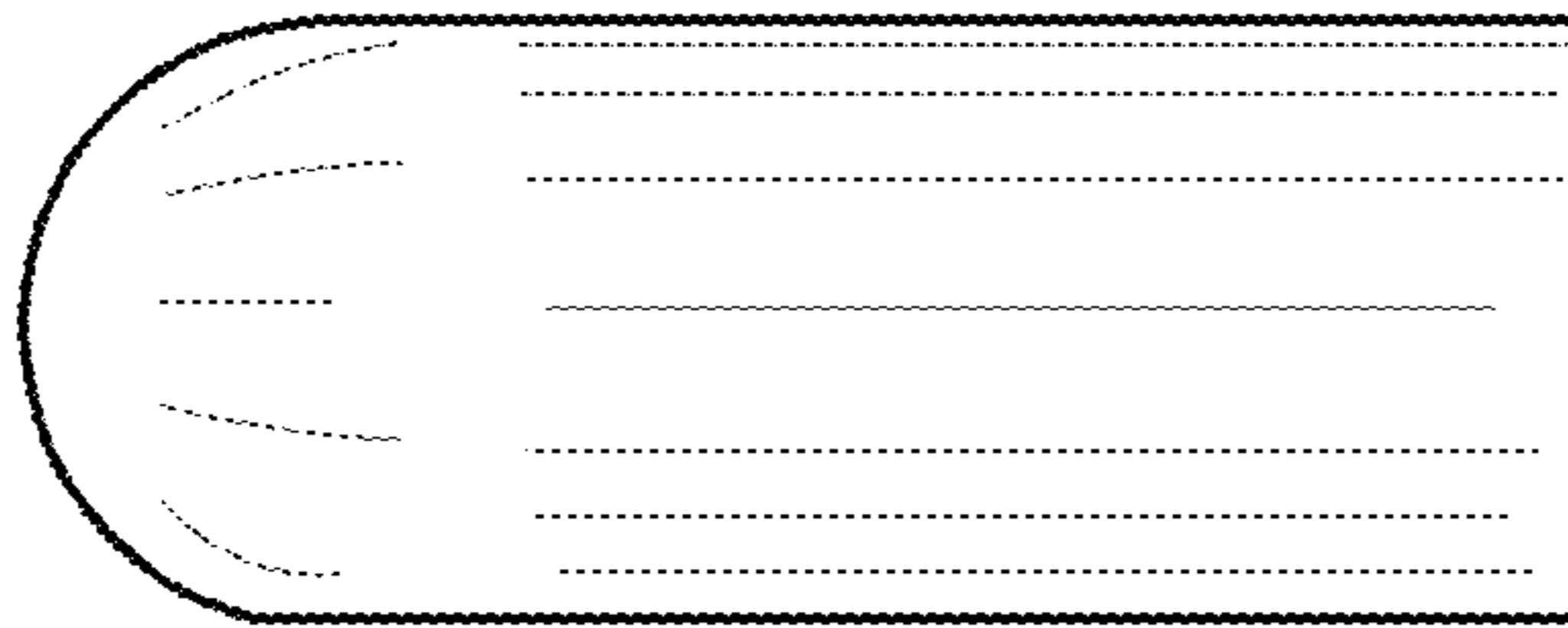


Fig. 3

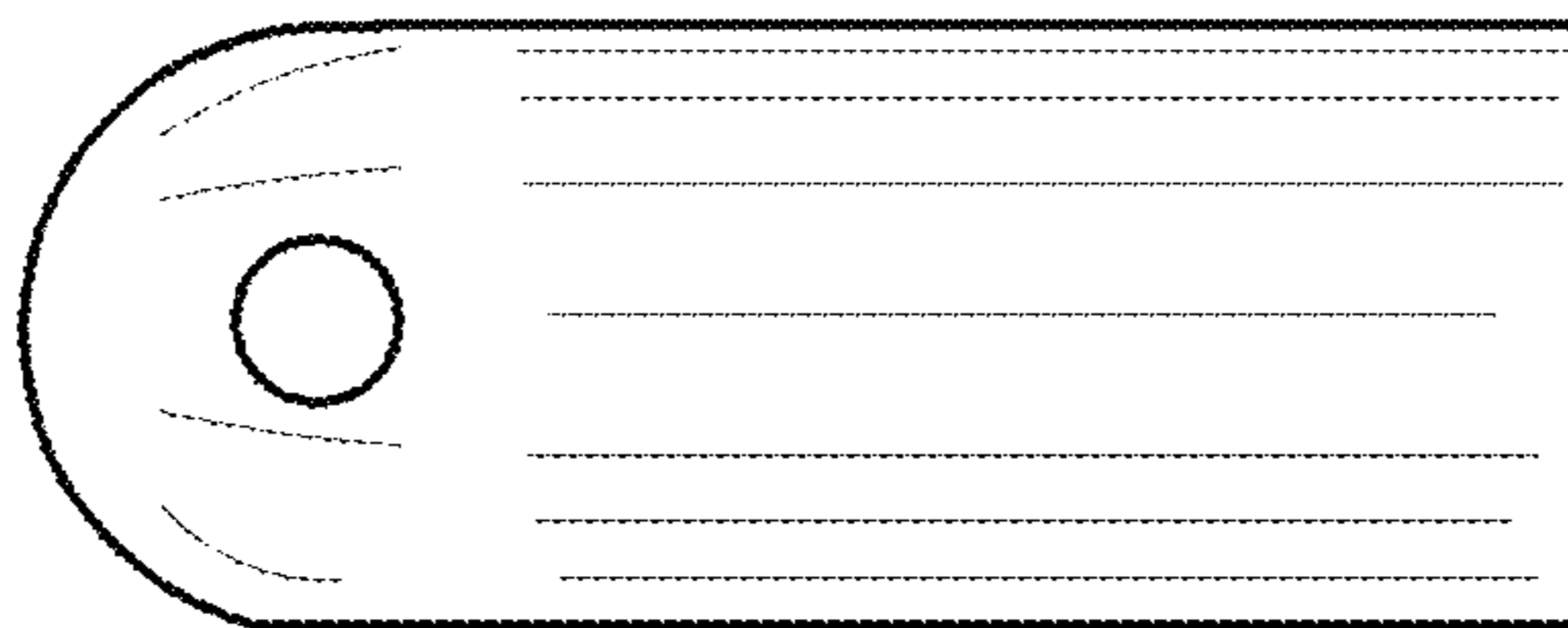


Fig. 2

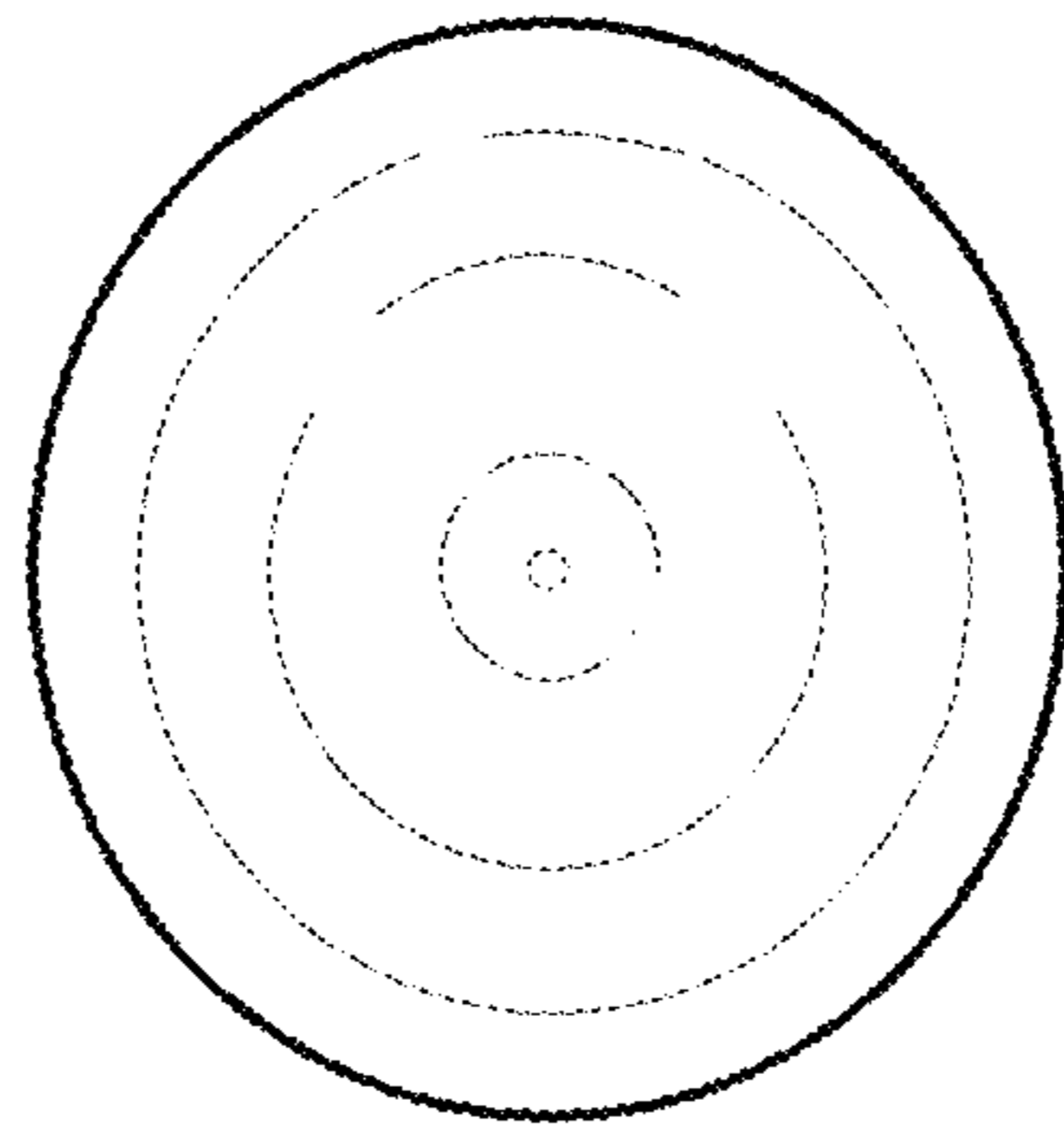


Fig. 6

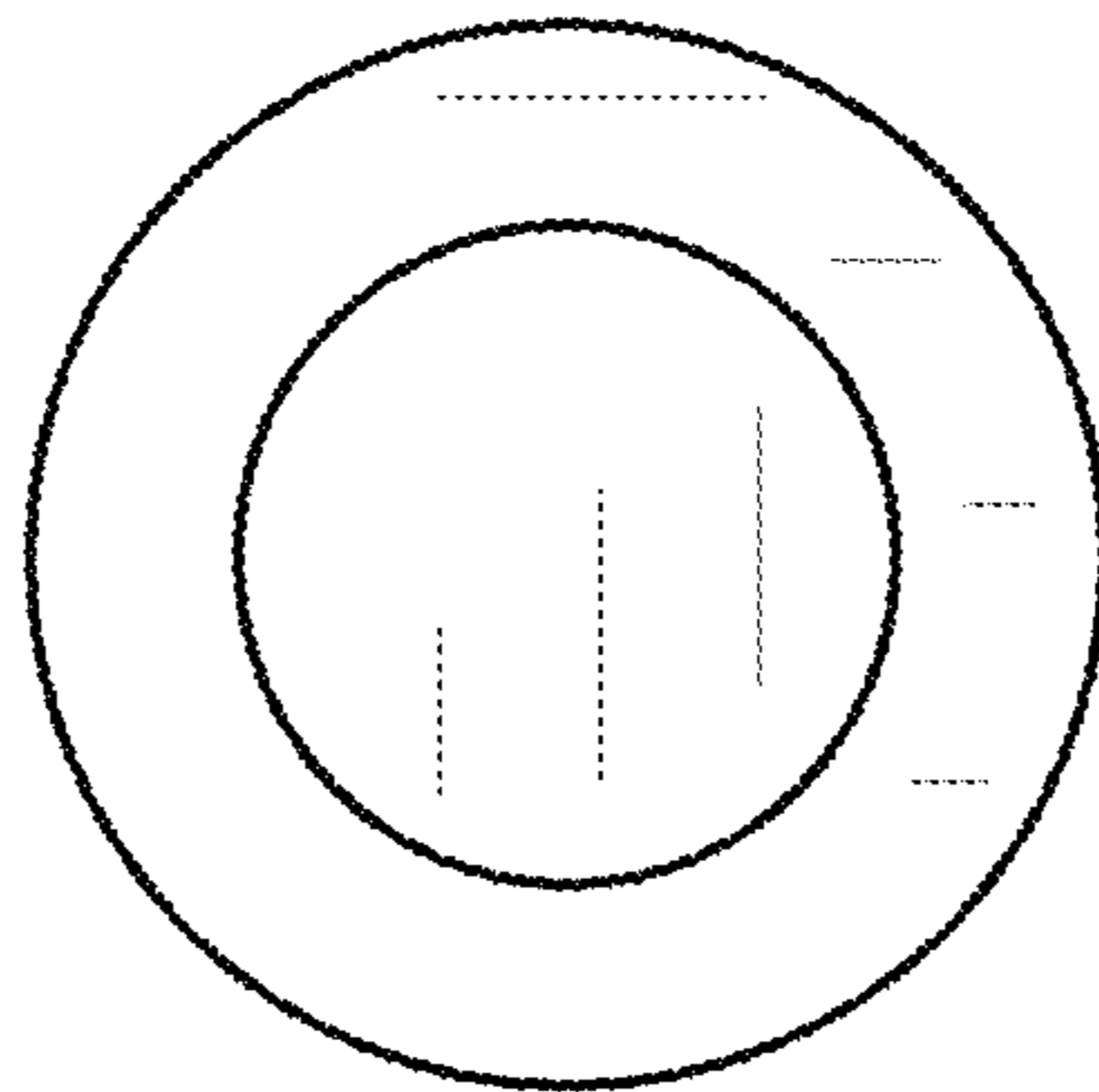


Fig. 5

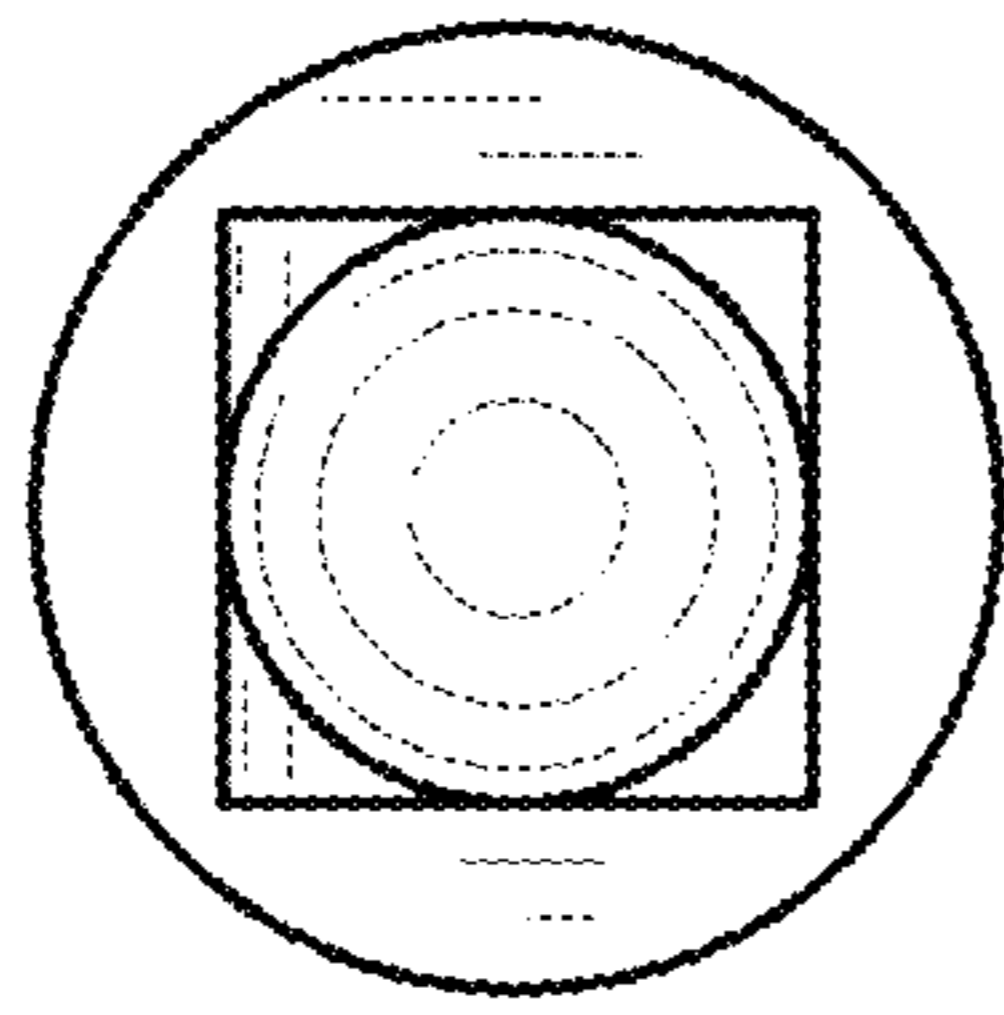


Fig. 8

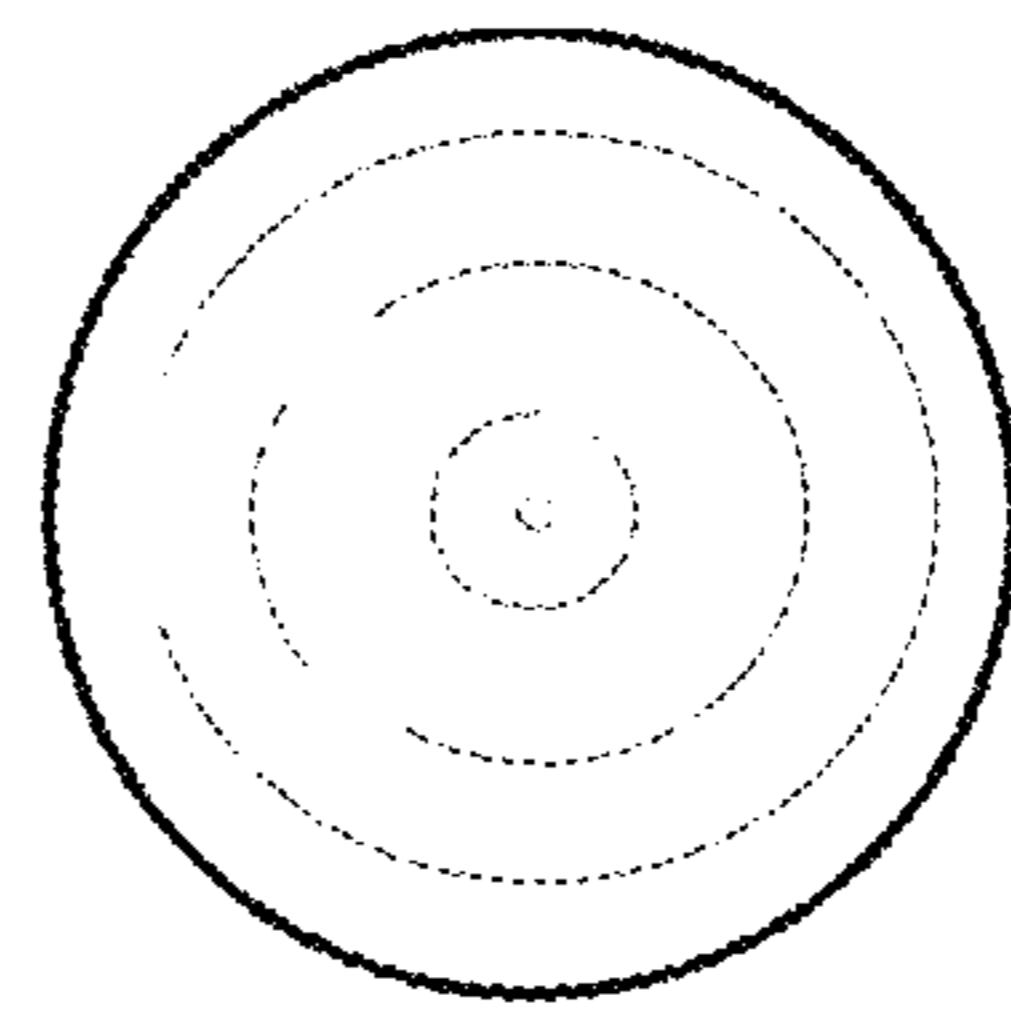


Fig. 9

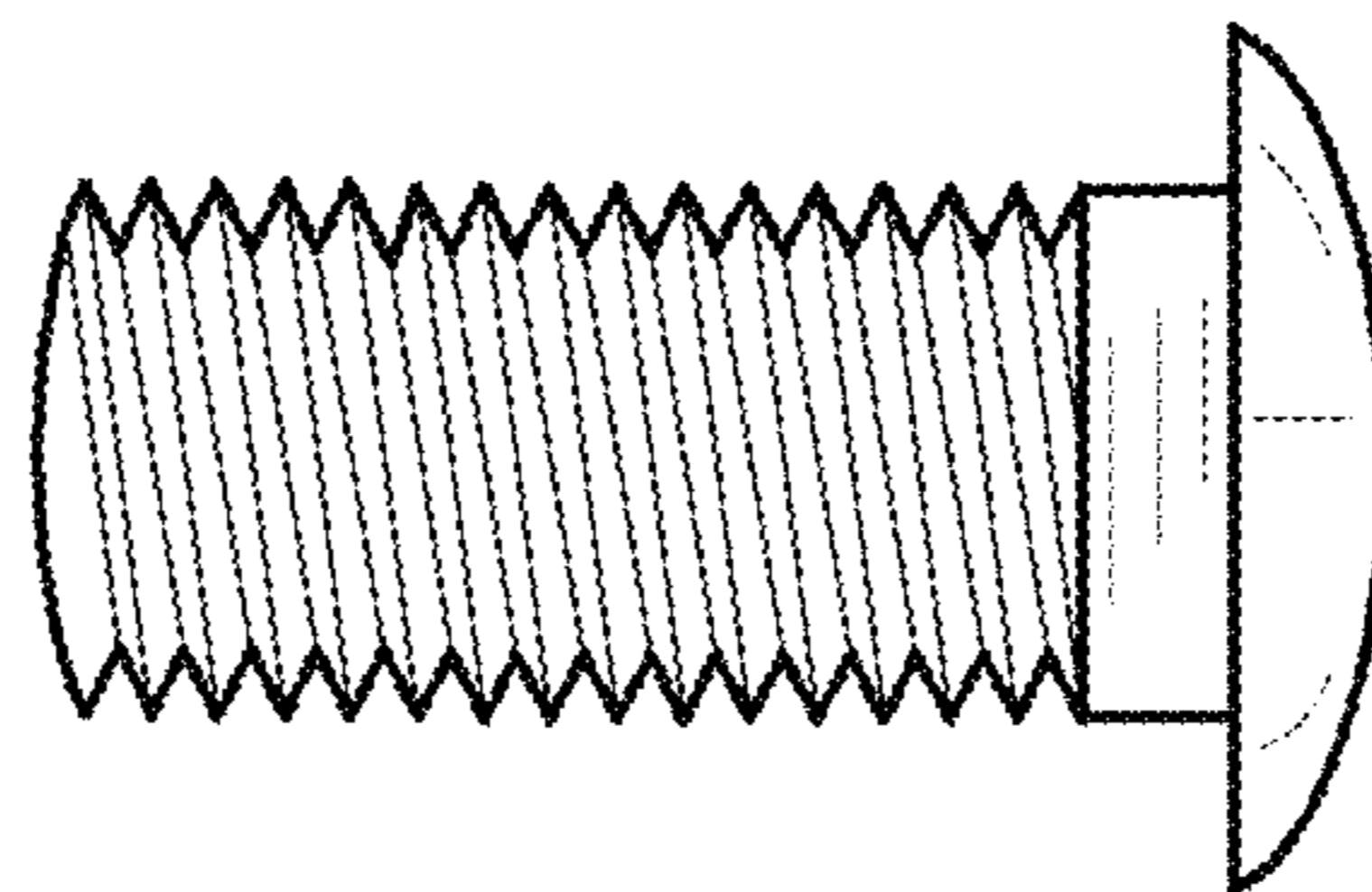


Fig. 7

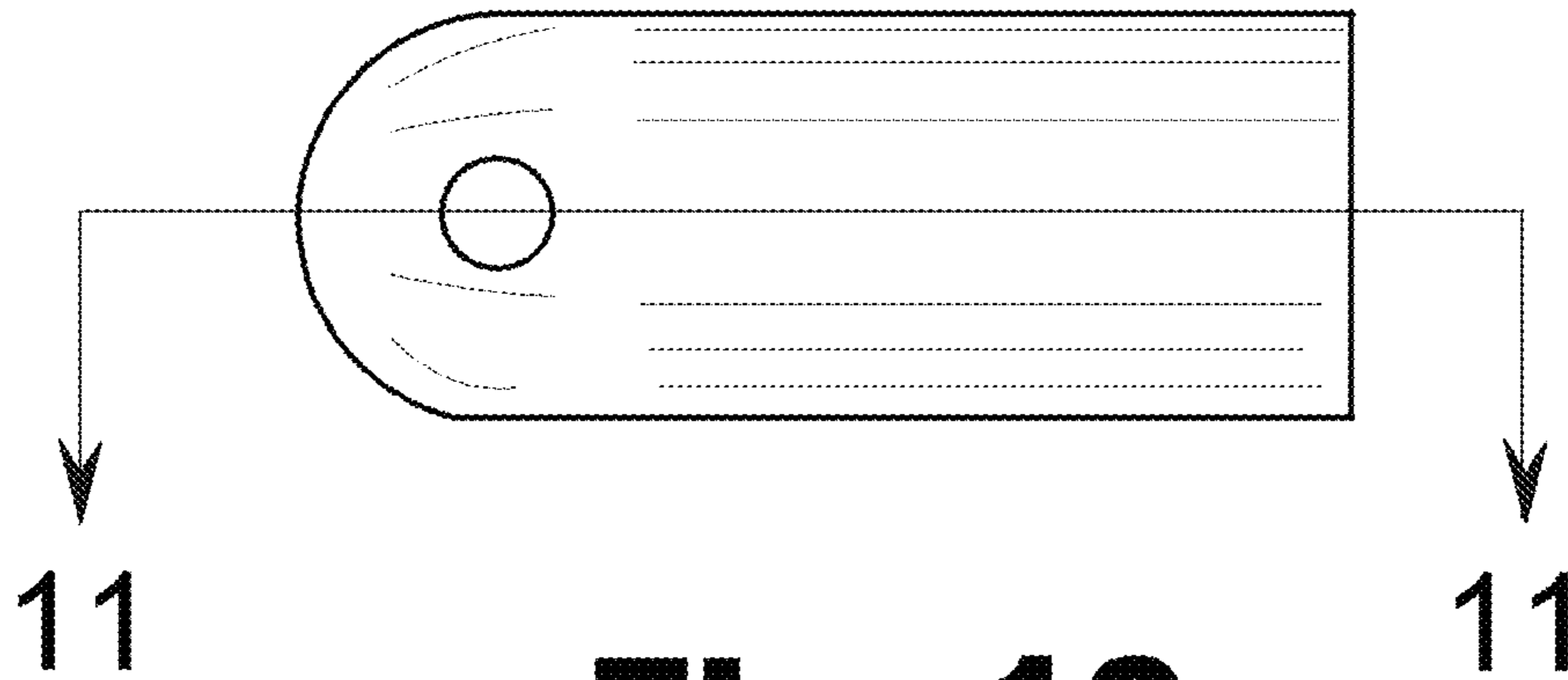


Fig. 10

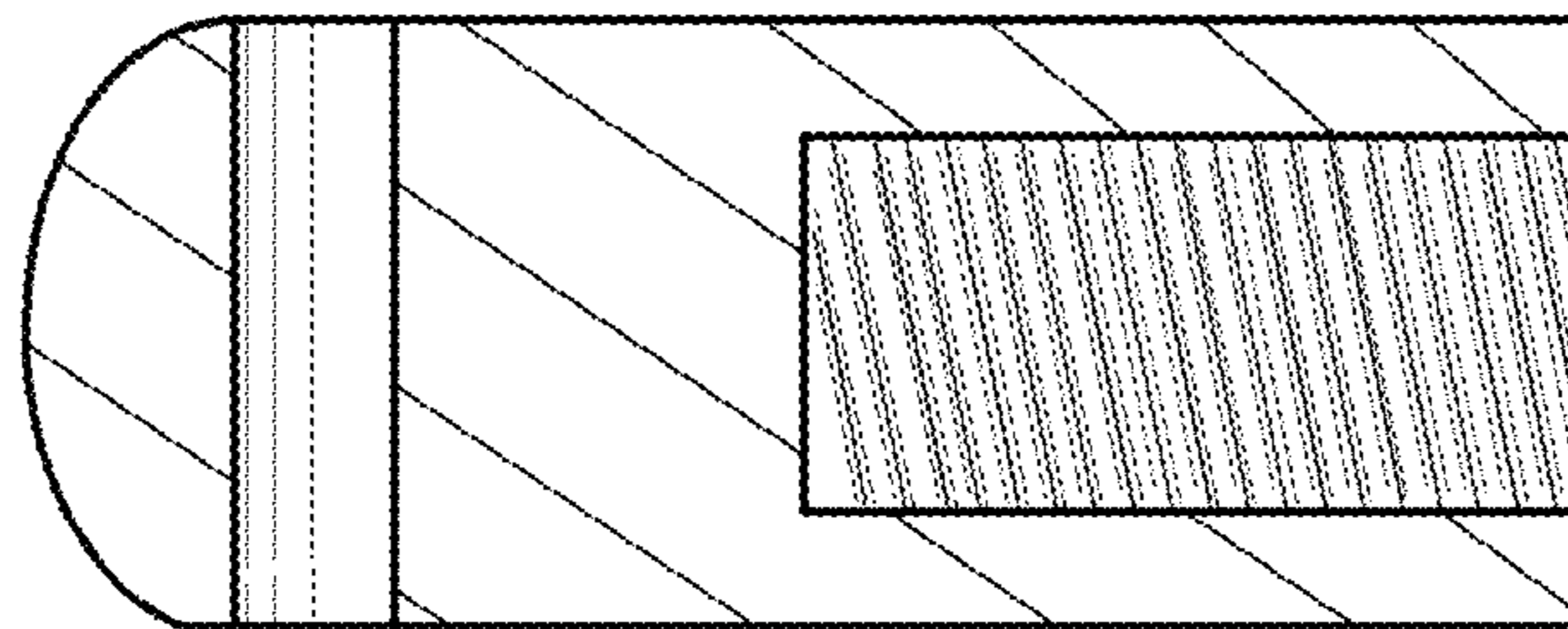


Fig. 11