



US00D897604S

(12) **United States Design Patent**
Kim

(10) **Patent No.:** **US D897,604 S**

(45) **Date of Patent:** **** *Sep. 29, 2020**

(54) **NAIL CLIPPER**

(71) Applicant: **THREE SEVEN CORPORATION**,
Chungcheongnam-Do (KR)

(72) Inventor: **Sang Mug Kim**, Chungcheongnam-Do
(KR)

(73) Assignee: **Three Seven Corporation** (KR)

(*) Notice: This patent is subject to a terminal disclaimer.

(**) Term: **15 Years**

(21) Appl. No.: **29/581,655**

(22) Filed: **Oct. 20, 2016**

(30) **Foreign Application Priority Data**

Aug. 24, 2016 (KR) 30-2016-0041384

(51) **LOC (12) Cl.** **28-03**

(52) **U.S. Cl.**
USPC **D28/60**

(58) **Field of Classification Search**
USPC D28/55-57, 60; 132/73, 75, 75.4, 76.2,
132/76.5; 30/26-29, 124; D8/4, 28, 52,
D8/80; D7/393, 395, 683-686; 294/3,
294/11, 99.2; 24/66.13, 66.2, 66.5, 66.6
CPC A45D 29/02; A45D 29/04; A45D 29/12;
A45D 29/17; A45D 29/023; A45D
2029/026
See application file for complete search history.

(56) **References Cited**

U.S. PATENT DOCUMENTS

533,504 A * 2/1895 Sonnesen A47G 21/04
30/124
592,538 A * 10/1897 Cole, Jr. B23D 59/006
15/246
1,200,158 A * 10/1916 Barrett B25B 9/00
294/99.2

2,292,532 A * 8/1942 Mabry A44B 6/00
24/343
2,492,423 A * 12/1949 Gray A63F 7/068
273/108.1
2,599,921 A * 6/1952 Johnson A44B 6/00
223/1.1

(Continued)

FOREIGN PATENT DOCUMENTS

CA 2 265 004 9/2000
WO 2016 093 454 6/2016

OTHER PUBLICATIONS

PLA & Silicone Tweezers, thingiverse.com, posted by user rhy-jones on Aug. 5, 2010 © 2018 MakerBot Industries, LLC, online, site visited Nov. 1, 2018. Available from Internet, URL: <https://www.thingiverse.com/thing:3715> (Year: 2010).*

(Continued)

Primary Examiner — Shannon W Morgan
Assistant Examiner — Altaira J Swangin
(74) *Attorney, Agent, or Firm* — Emerson Thomson
Bennett; Daniel A. Thomson

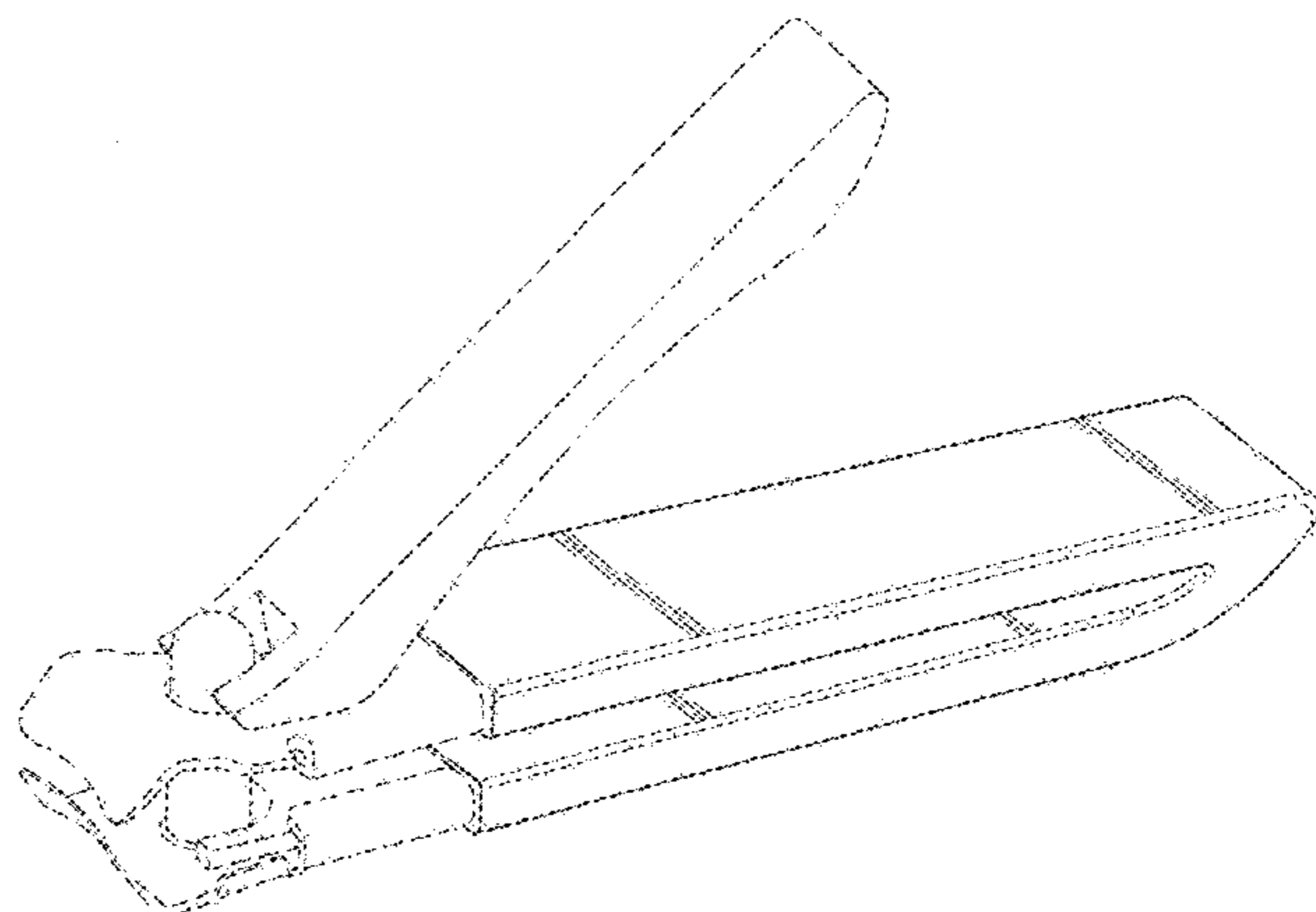
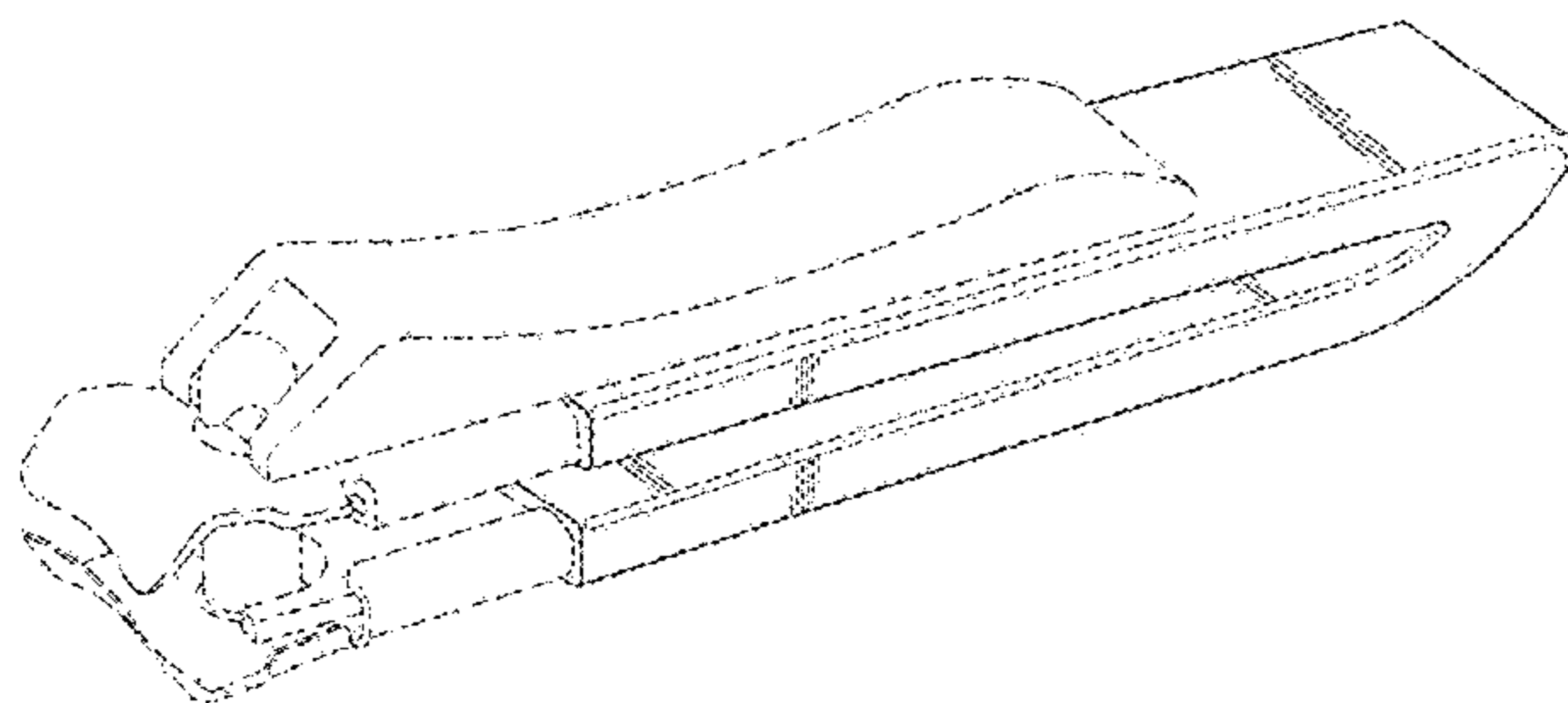
(57) **CLAIM**

The ornamental design for a nail clipper, as shown and described.

DESCRIPTION

FIG. 1 is a closed perspective view of the nail clipper;
FIG. 2 is a left view;
FIG. 3 is a right view;
FIG. 4 is a bottom view;
FIG. 5 is a top view;
FIG. 6 is a front view;
FIG. 7 is a rear view; and,
FIG. 8 is an open perspective view.
The broken lines show portions of the nail clipper, which form no part of the claimed design.

1 Claim, 5 Drawing Sheets



(56)

References Cited

U.S. PATENT DOCUMENTS

2,601,766 A * 7/1952 Riddell A47J 43/283
15/236.08
D198,660 S 7/1964 Britton
3,659,343 A * 5/1972 Straus A61B 17/0467
30/124
4,274,413 A * 6/1981 Hahn A61B 18/14
606/42
D262,064 S * 11/1981 Rainin D28/55
4,330,936 A * 5/1982 Swarth A61J 7/0007
225/103
D271,305 S * 11/1983 Kostiner D16/250
4,601,690 A * 7/1986 Jacobson B65B 43/30
294/99.2
4,646,953 A * 3/1987 Marshall A45D 34/00
132/73
D292,328 S 10/1987 Gamble
4,698,051 A * 10/1987 Jacobson B65B 43/30
294/99.2
D299,405 S * 1/1989 Bothmann D7/686
D299,996 S * 2/1989 Tucker D7/686
4,905,870 A * 3/1990 Mamolou A47J 31/08
221/210
D313,874 S 1/1991 Schulz
5,016,353 A * 5/1991 Iten A61B 17/0467
30/124
D327,751 S * 7/1992 Colani D28/55
5,249,389 A * 10/1993 Gallo A01H 1/025
294/99.2
5,334,215 A * 8/1994 Chen A61B 17/30
294/99.2
D364,248 S 11/1995 Conerly
5,488,772 A 2/1996 Dababneh et al.
5,522,136 A * 6/1996 Larisey A45D 29/023
132/75.5
D391,679 S 3/1998 Harrison et al.
D394,731 S 5/1998 Lee
6,009,880 A 1/2000 Weidlich
6,050,269 A * 4/2000 Park A45D 29/02
132/73
6,916,054 B1 * 7/2005 Baldesberger A45D 26/0066
294/99.2
D522,177 S 5/2006 Legras de Grandcourt
D551,900 S * 10/2007 Glander D7/393

D562,499 S 2/2008 Park
D568,001 S * 4/2008 Cho D28/55
D573,308 S * 7/2008 Wittke-Kothe D28/55
D573,757 S * 7/2008 Kim D28/60
D581,098 S 11/2008 Fiene et al.
D586,629 S * 2/2009 Reynolds D7/686
D593,712 S 6/2009 Han et al.
7,730,620 B1 * 6/2010 Anastasi B26B 3/08
30/124
D635,837 S * 4/2011 Allison D28/60
D664,816 S * 8/2012 Difante D7/686
8,727,408 B1 * 5/2014 Ruid A47G 21/10
294/99.2
D715,686 S * 10/2014 Crafton D11/202
D717,002 S * 11/2014 Johnston D28/55
8,984,754 B1 * 3/2015 Kaidi A45D 29/02
30/28
9,155,424 B2 * 10/2015 Jessen A47J 43/26
9,220,363 B2 * 12/2015 Sassaman A47J 36/00
D747,169 S * 1/2016 Koresh D8/98
D774,694 S * 12/2016 Silva D28/39
D787,898 S * 5/2017 Roberts D7/686
D788,370 S 5/2017 Cho et al.
9,636,833 B1 * 5/2017 Brucker B26D 3/283
D810,523 S * 2/2018 Gonzalez D7/686
9,914,227 B2 * 3/2018 Greadington B26D 3/12
9,987,764 B2 * 6/2018 Campbell B27G 11/00
D825,222 S * 8/2018 Lee D6/534
2011/0079237 A1 * 4/2011 Price A45D 2/001
132/224
2012/0074723 A1 * 3/2012 Dai B25B 9/02
294/99.2
2016/0279766 A1 9/2016 Hussain et al.
2017/0231433 A1 * 8/2017 Khubani A47J 43/28
30/124

OTHER PUBLICATIONS

Smart Clipper with Catcher, Google Image Search for "Nail Clipper with Catcher," 1 page, downloaded Jan. 24, 2017.
Seki Nail Clipper, www.ebay.com, 1 page, downloaded Jan. 24, 2017.
Tweezerman Nail Clipper, www.tweezerman.com, 1 page, downloaded Jan. 24, 2017.

* cited by examiner

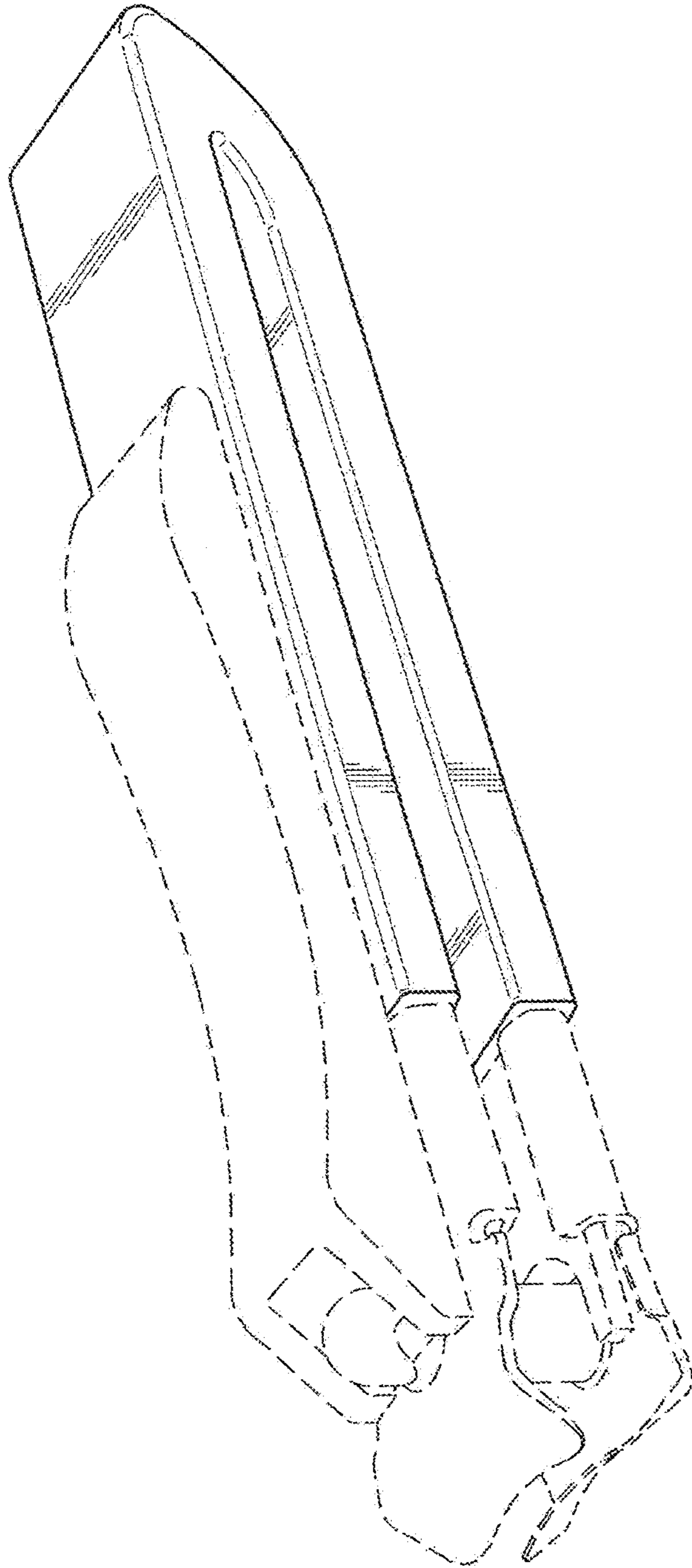


FIG. 1

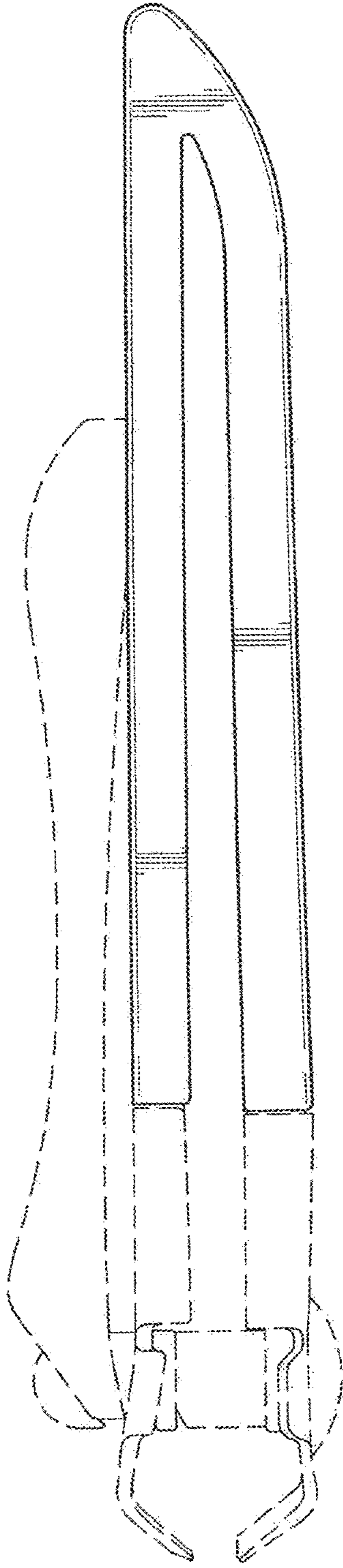


FIG. 2

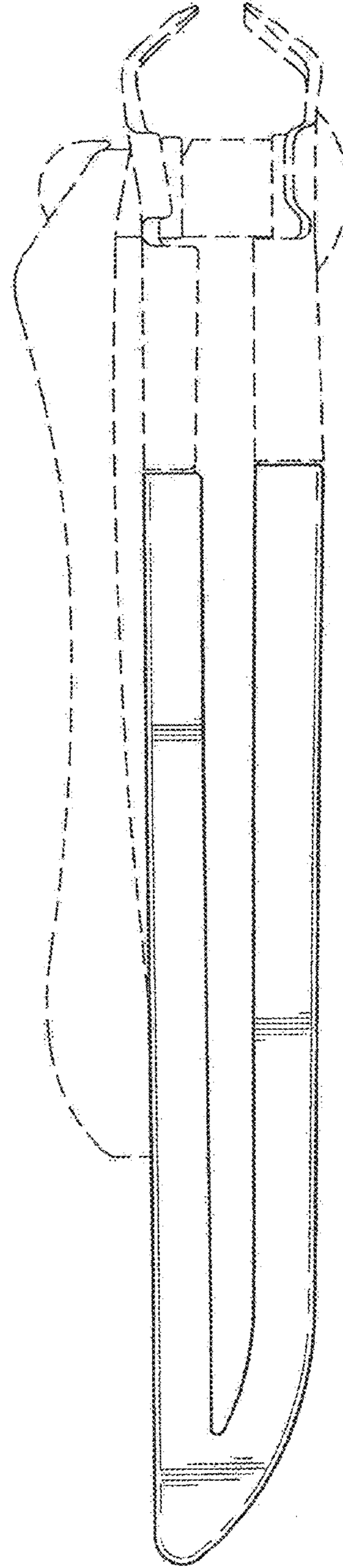


FIG. 3

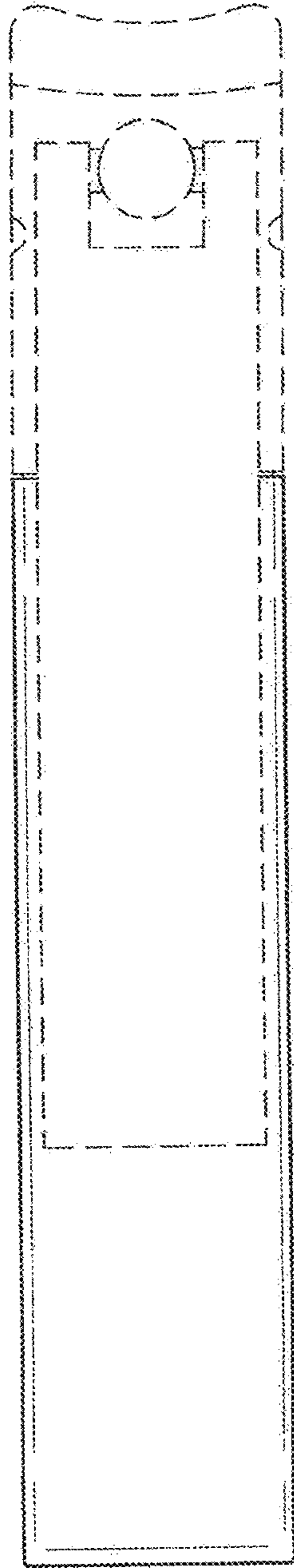


FIG. 4

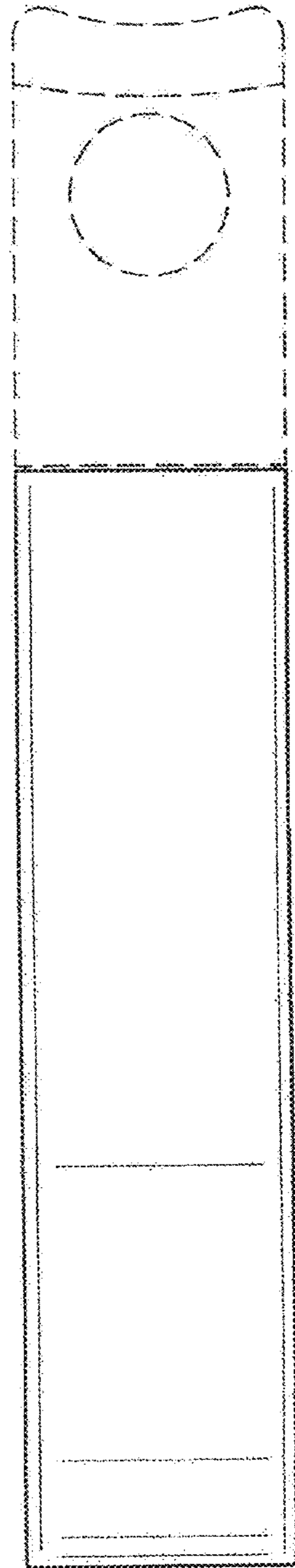


FIG. 5

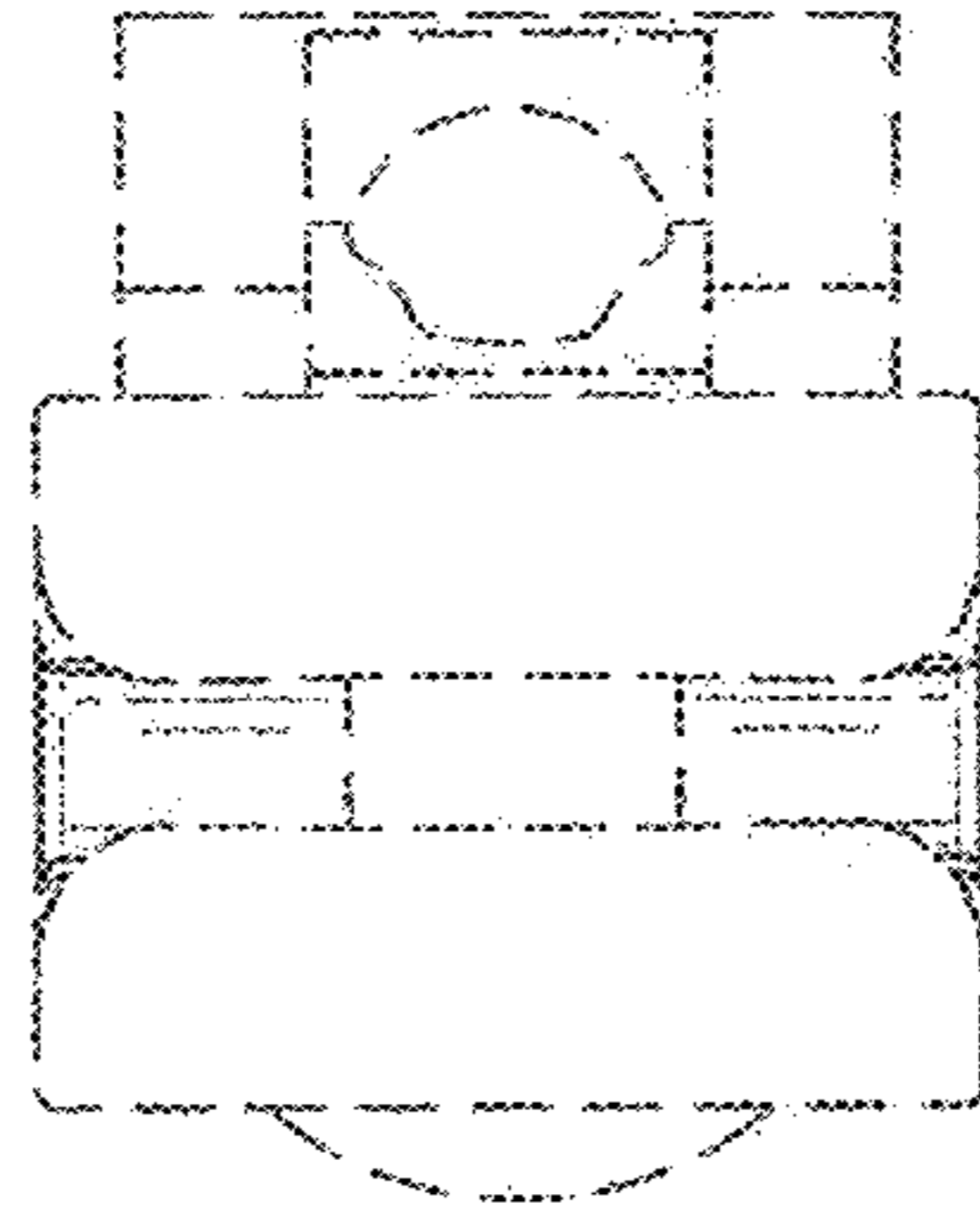


FIG. 6

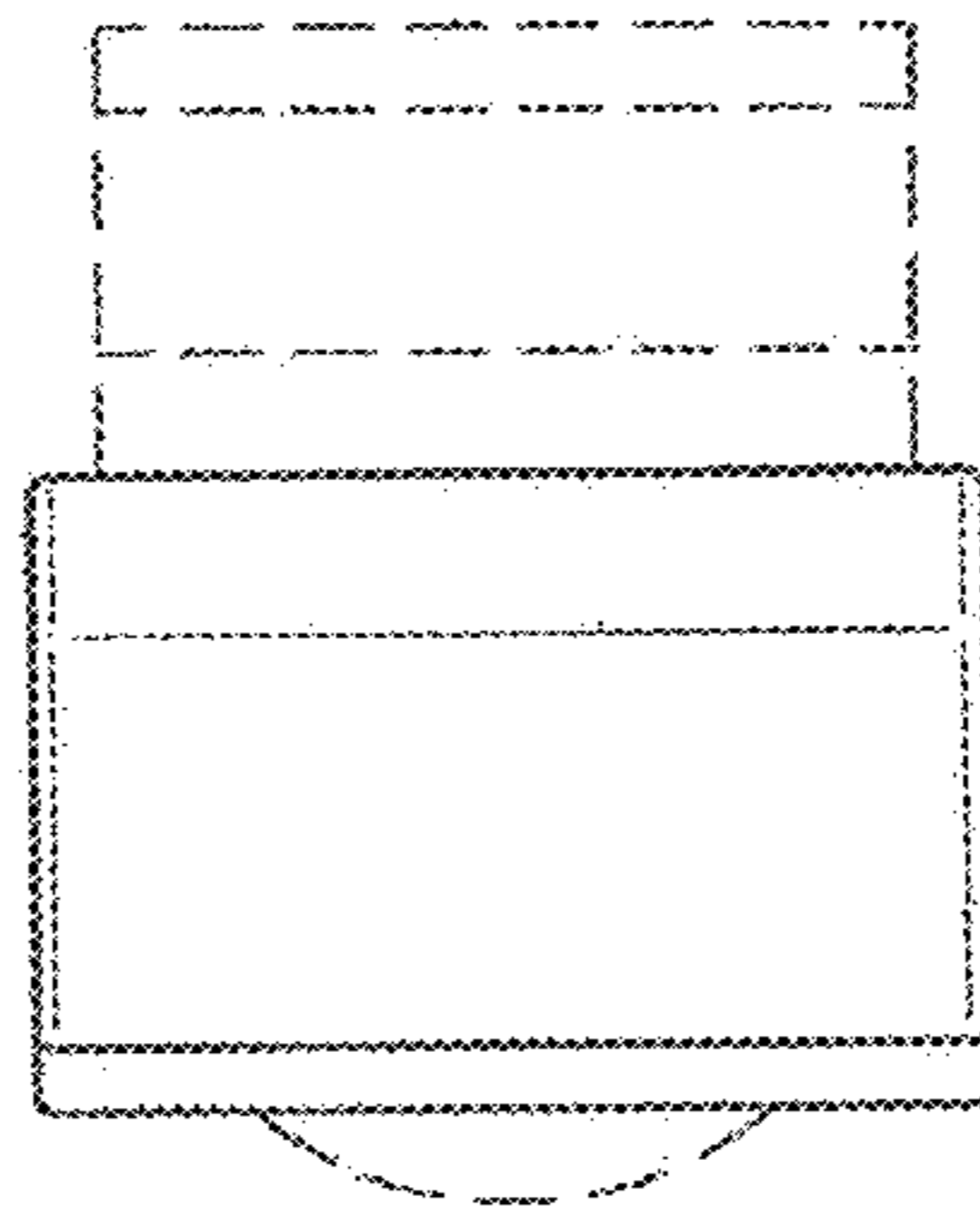


FIG. 7

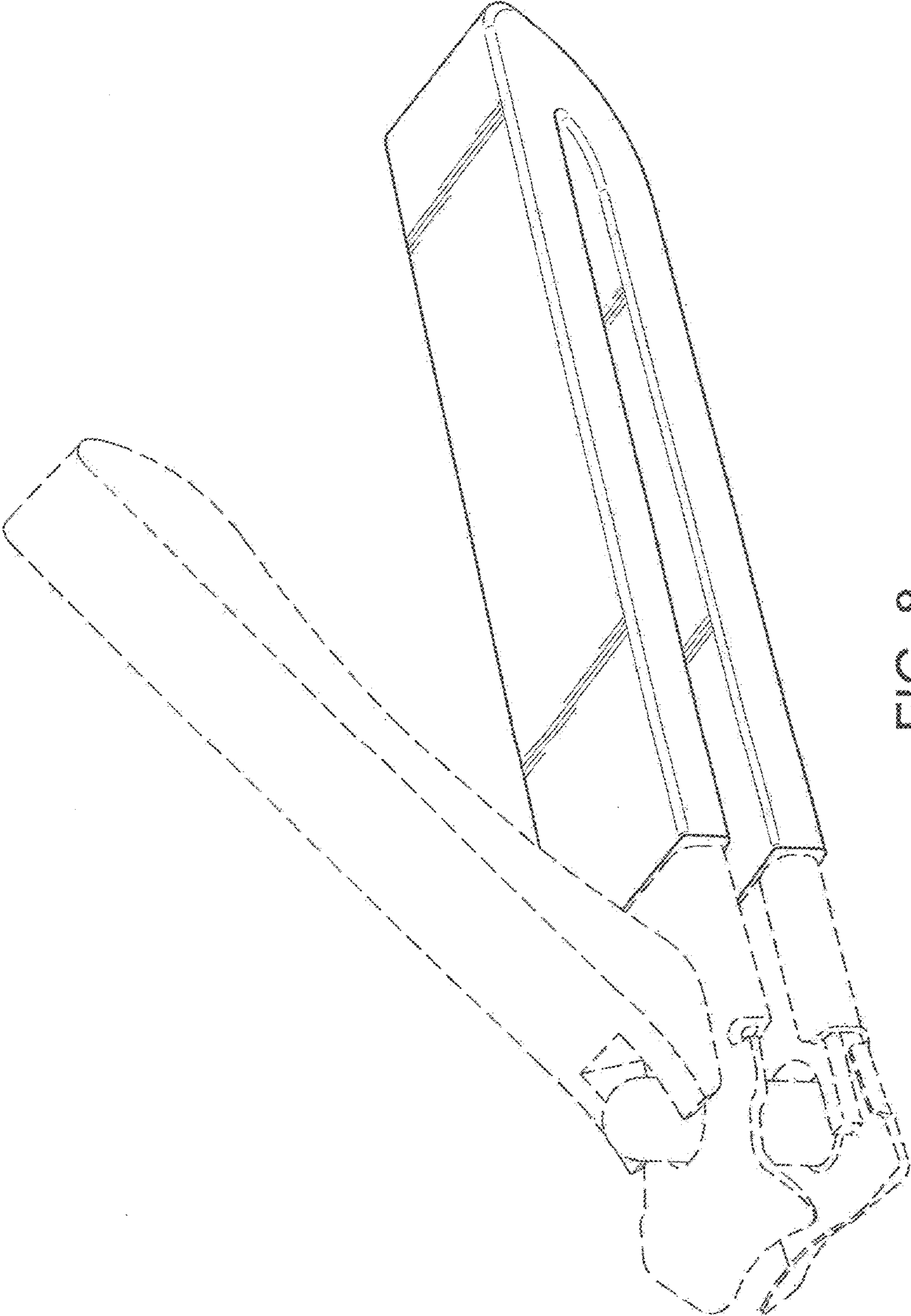


FIG. 8