

US00D897599S

(12) **United States Design Patent** (10) **Patent No.:** **US D897,599 S**  
**Ishida** (45) **Date of Patent:** **\*\* Sep. 29, 2020**

(54) **NOSTRIL HAIR CUTTER**  
(71) Applicant: **Green Bell Co., Ltd.**, Osaka (JP)  
(72) Inventor: **Itsuto Ishida**, Osaka (JP)  
(73) Assignee: **Green Bell Co., Ltd.**, Osaka (JP)  
(\*\*) Term: **15 Years**  
(21) Appl. No.: **29/669,437**  
(22) Filed: **Nov. 8, 2018**

(30) **Foreign Application Priority Data**

Jul. 24, 2018 (JP) ..... 2018-017563

(51) **LOC (12) Cl.** ..... **28-03**  
(52) **U.S. Cl.**  
USPC ..... **D28/44; D28/55**

(58) **Field of Classification Search**  
USPC ..... D28/44, 44.1, 55  
CPC ..... B26B 21/4025; B26B 21/02; B26B 21/06;  
B26B 21/4037; B26B 17/00; B26B 27/00;  
A45D 29/02; A45D 29/023; A45D 26/00;  
A45D 26/0066; A45D 26/0071  
See application file for complete search history.

(56) **References Cited**

**U.S. PATENT DOCUMENTS**

1,610,925 A \* 12/1926 Bryan ..... A61B 17/30  
606/211  
2,254,738 A \* 9/1941 Gamache ..... B26B 17/00  
30/175  
2,413,998 A \* 1/1947 Scott ..... A45D 26/0066  
606/133  
4,053,979 A \* 10/1977 Tuthill ..... A61B 17/0467  
606/138  
5,740,611 A \* 4/1998 Schloss ..... A45D 26/0066  
294/99.2  
5,979,056 A \* 11/1999 Andrews ..... B26B 21/00  
30/356

D515,242 S \* 2/2006 Cho ..... D28/36  
D557,457 S \* 12/2007 Sugawara ..... D28/55  
D584,451 S \* 1/2009 Cho ..... D28/55  
7,641,248 B2 \* 1/2010 Cho ..... A61B 17/30  
294/99.2

(Continued)

**FOREIGN PATENT DOCUMENTS**

CA 2291818 A1 \* 12/1998 ..... B26B 17/00  
WO WO-2011093618 A2 \* 8/2011 ..... B26B 17/00

*Primary Examiner* — Jennifer Rivard

(74) *Attorney, Agent, or Firm* — Welsh Flaxman & Gitler LLC

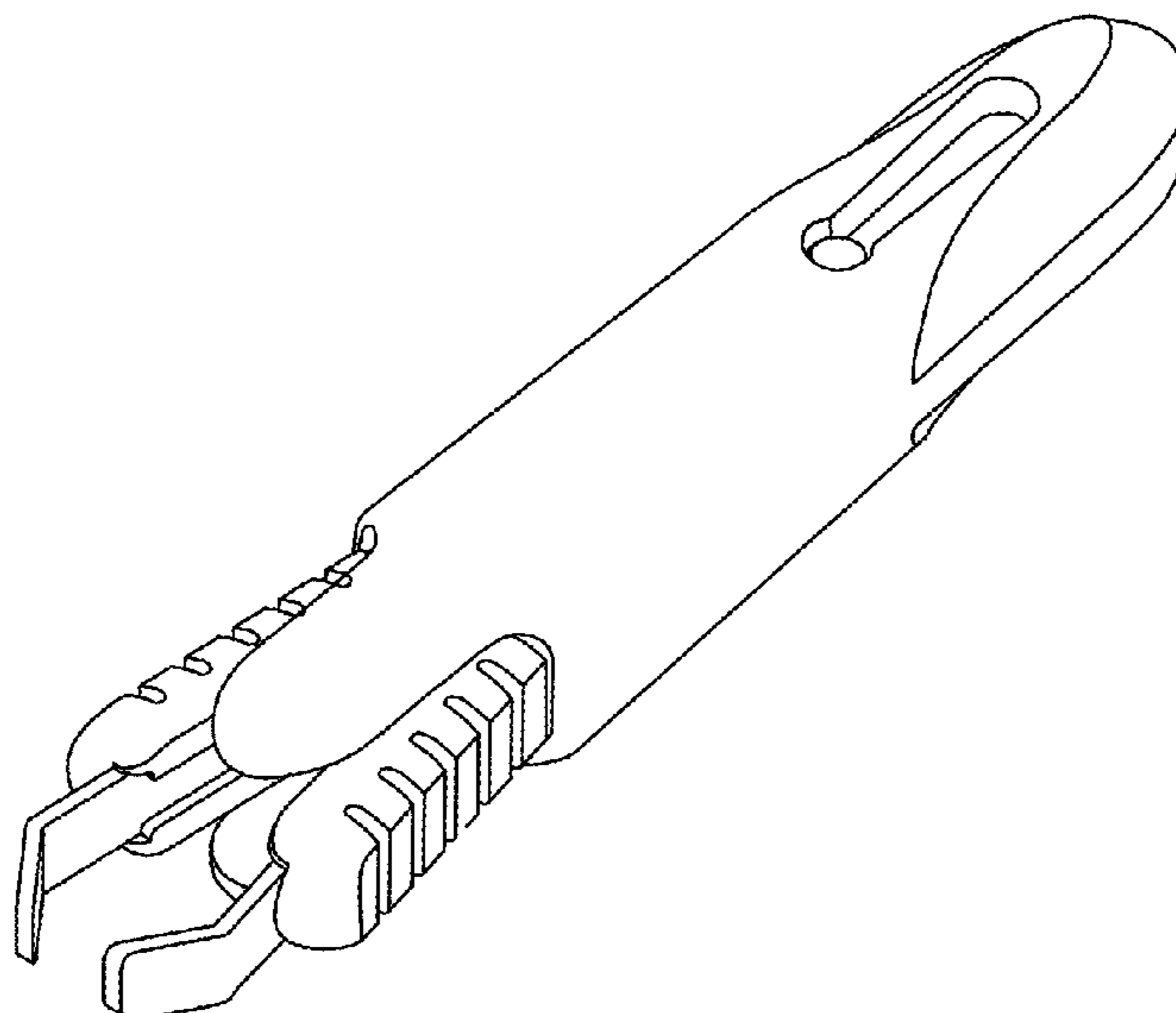
(57) **CLAIM**

The ornamental design for a nostril hair cutter, as shown and described.

**DESCRIPTION**

FIG. 1 is a top plan view of the nostril hair cutter wherein the bottom plan view is identical;  
FIG. 2 is a rear elevation view of the nostril hair cutter;  
FIG. 3 is a front elevation view of the nostril hair cutter;  
FIG. 4 is a right side elevation view of the nostril hair cutter wherein the left side elevation view is identical;  
FIG. 5 is a cross-sectional view of the nostril hair cutter taken along the line 5-5 of FIG. 1;  
FIG. 6 is a cross-sectional view of the nostril hair cutter taken along the line 6-6 of FIG. 1;  
FIG. 7 is a top plan view of the nostril hair cutter with the tips stored in place wherein the bottom plan view is identical;  
FIG. 8 is a right side view of the nostril hair cutter with the tips stored in place wherein the left side view is identical;  
FIG. 9 is a perspective view of the nostril hair cutter; and,  
FIG. 10 is a perspective view of the nostril hair cutter when the tips are stored in place.

**1 Claim, 3 Drawing Sheets**



(56)

**References Cited**

U.S. PATENT DOCUMENTS

D621,098	S	*	8/2010	Francis	.....	D28/55
D809,207	S	*	1/2018	Hussain	.....	D28/55
2004/0006357	A1	*	1/2004	Baldesberger	.....	A45D 26/0066 606/167
2011/0289784	A1	*	12/2011	Jones	.....	B26B 17/006 30/175
2015/0148840	A1	*	5/2015	Francis	.....	A45D 26/0066 606/210

\* cited by examiner

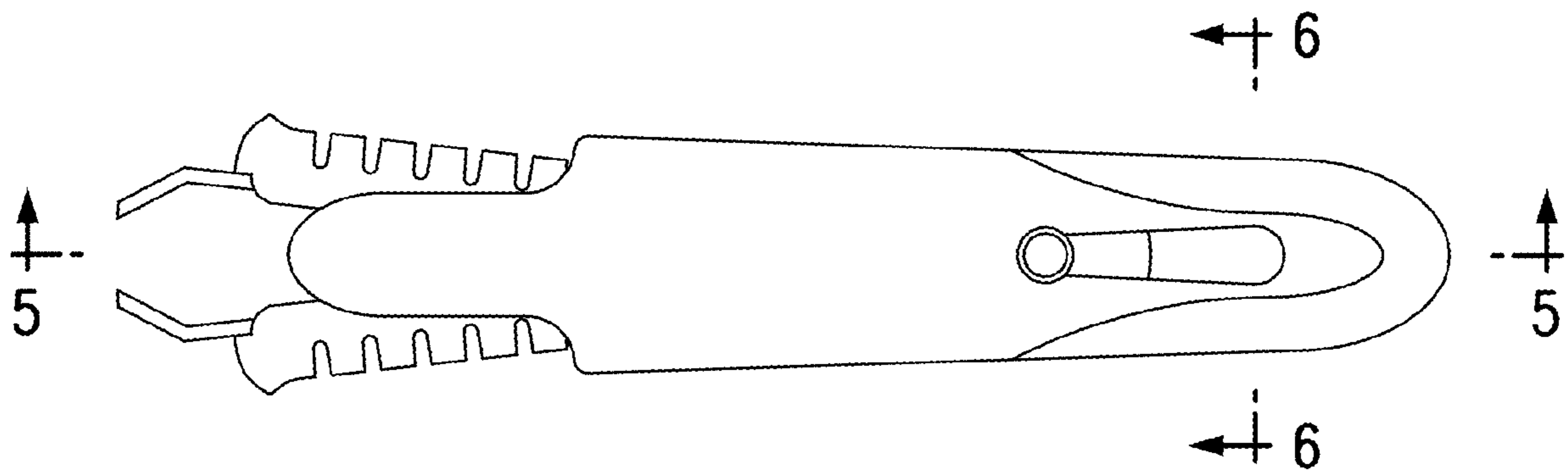


FIG. 1

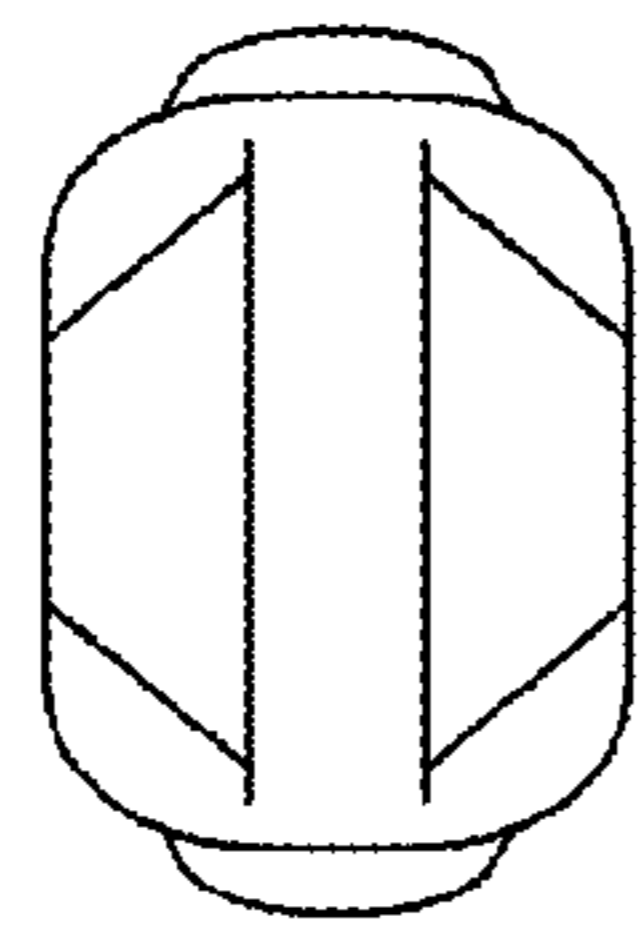


FIG. 2

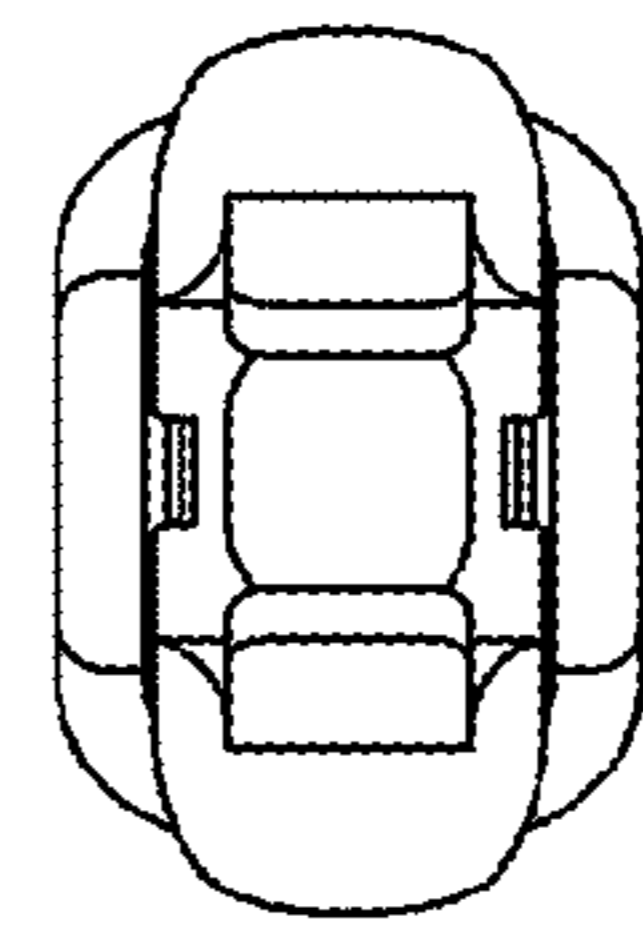


FIG. 3



FIG. 4

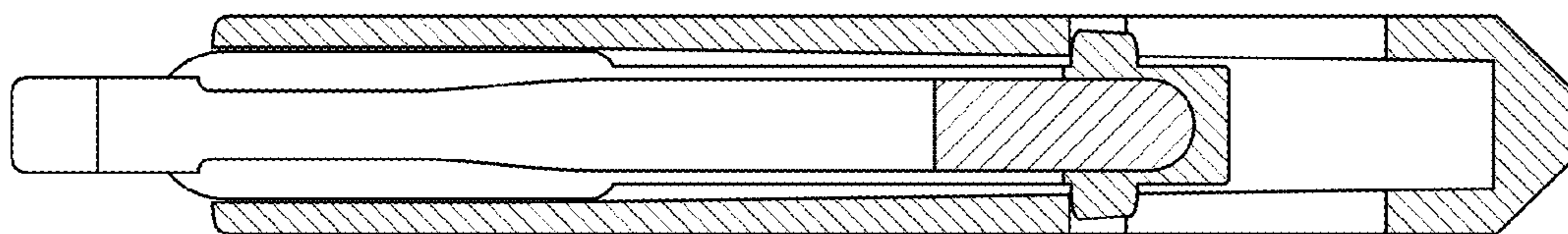


FIG. 5

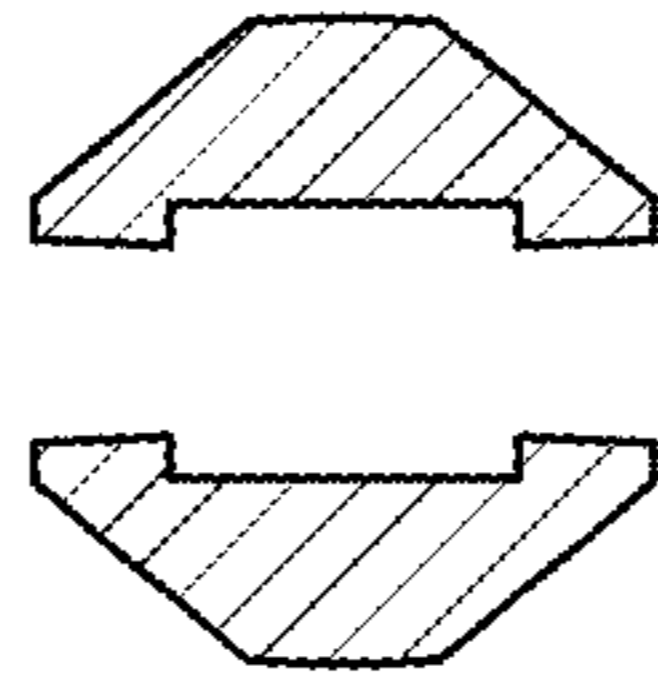


FIG. 6

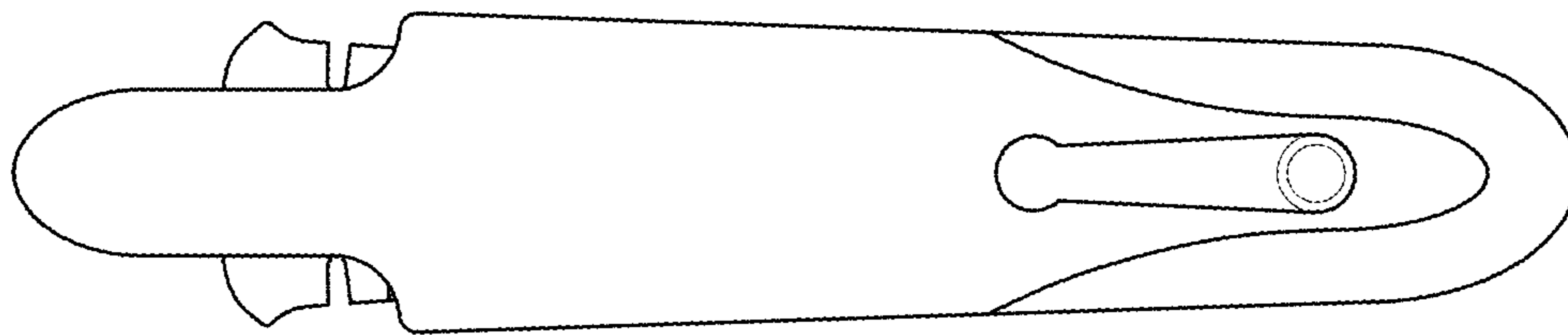


FIG. 7

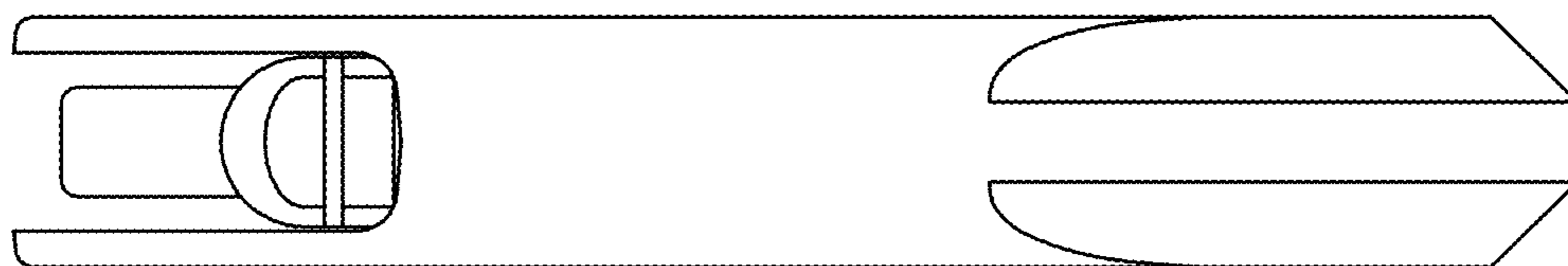


FIG. 8

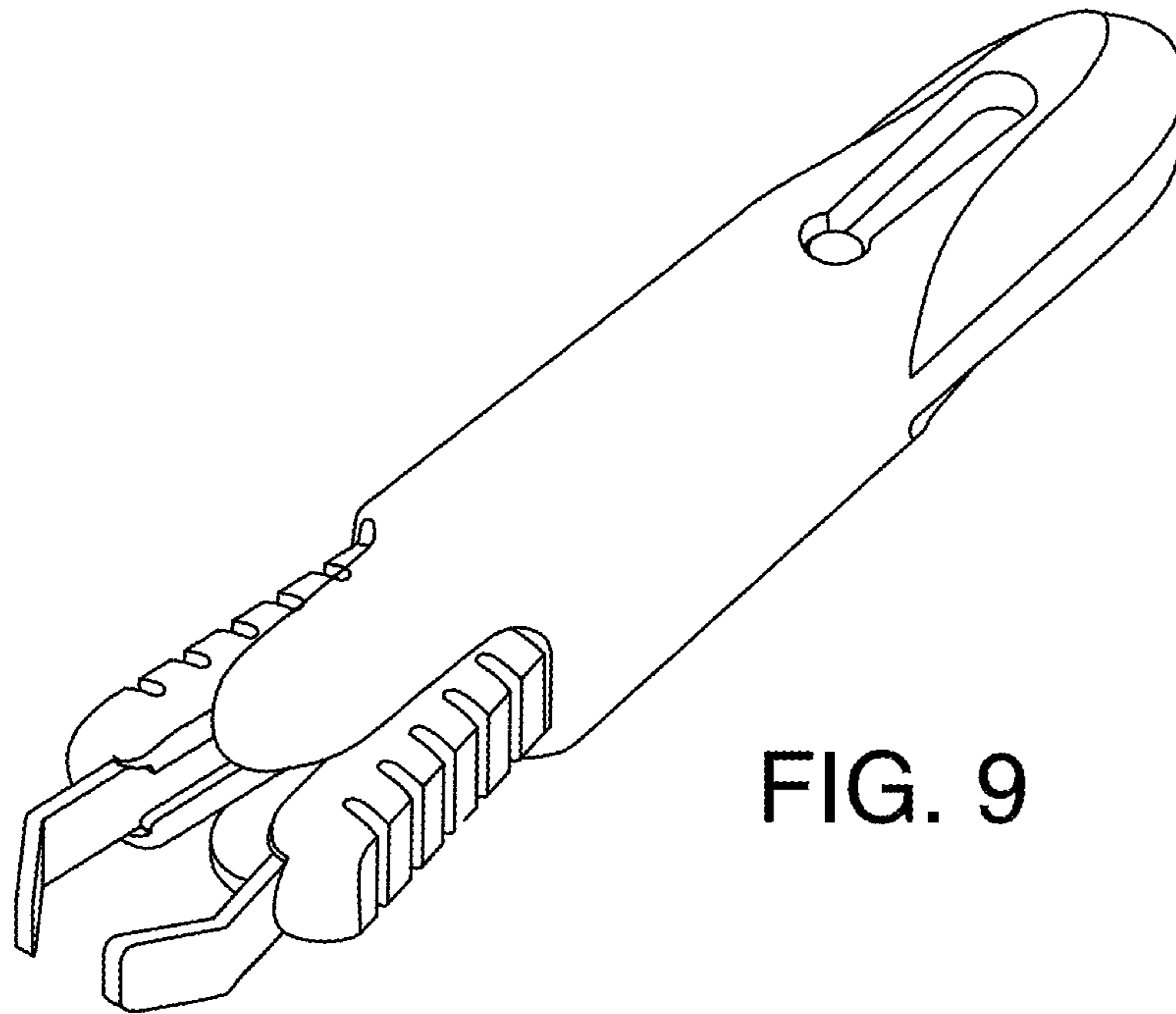


FIG. 9

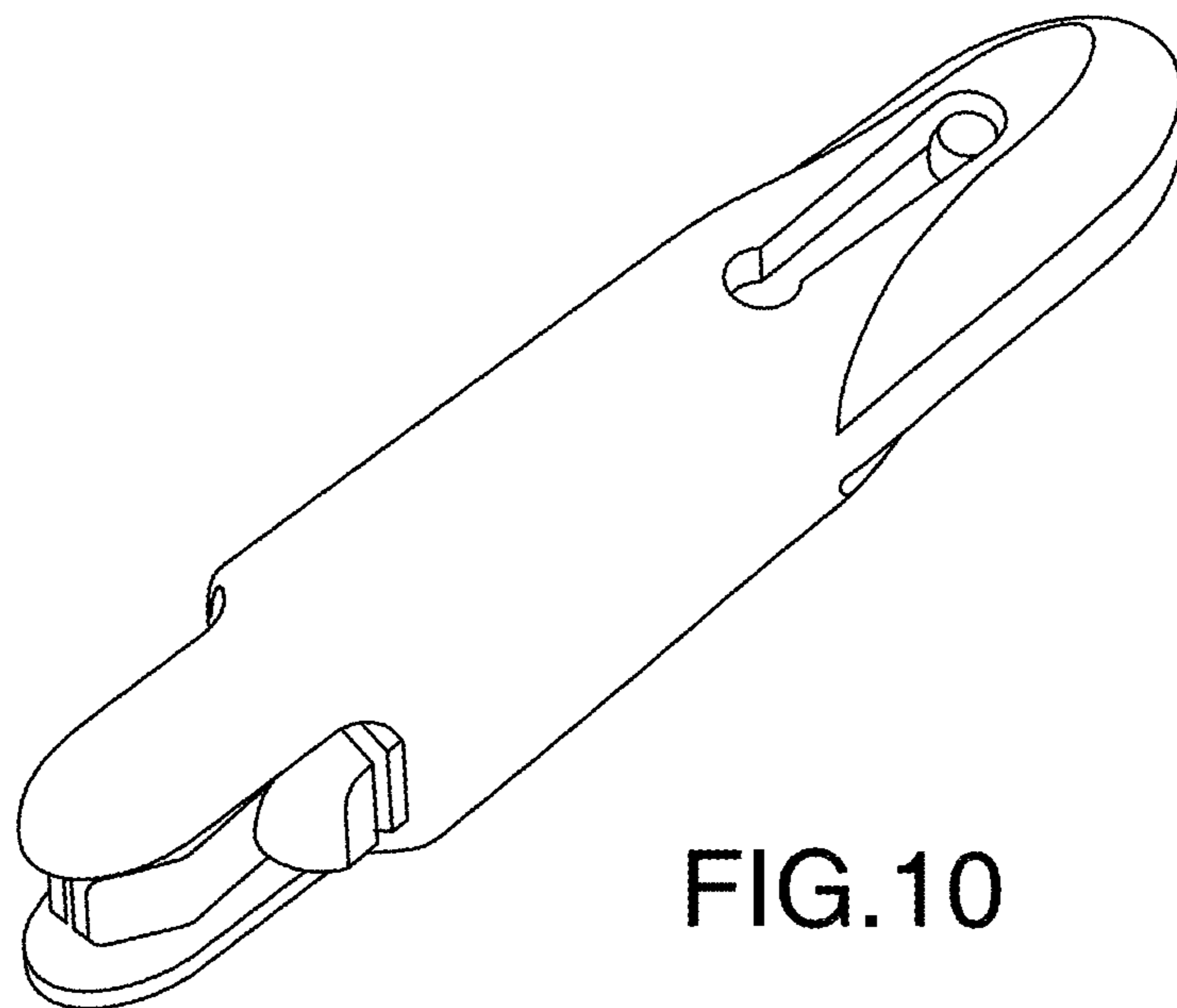


FIG. 10