



US00D897598S

(12) **United States Design Patent** (10) **Patent No.:** **US D897,598 S**  
**Duan** (45) **Date of Patent:** **\*\* Sep. 29, 2020**

(54) **HAIR CURLER**

(71) Applicant: **Shenzhen Yangwo Electronic Co., Ltd**, ShenZhen, GuangDong (CN)  
(72) Inventor: **DeJin Duan**, Guangdong (CN)  
(73) Assignee: **Shenzhen Yangwo Electronic Co., Ltd**, ShenZhen (CN)  
(\*\*) Term: **15 Years**

(21) Appl. No.: **29/633,110**  
(22) Filed: **Jan. 12, 2018**  
(51) **LOC (12) Cl.** ..... **28-03**  
(52) **U.S. Cl.**  
USPC ..... **D28/35**  
(58) **Field of Classification Search**  
USPC ..... D28/10, 35, 37, 38  
CPC ... A45D 1/04; A45D 2/02; A45D 4/00; A45D 8/00; A45D 7/02; A45D 8/40; A45D 2001/045; A45D 2001/008; A45D 19/16; A45D 1/00-1; A45D 1/28; A45D 2/00; A45D 2/001; A45D 2/002; A45D 2/04; A45D 2/06; A45D 2/08; A45D 2/10; A45D 2/12-22; A45D 2/24-34; A45D 2/36-367; A45D 6/00; A45D 6/02; A45D 6/04; A45D 6/045; A45D 6/06; A45D 6/08; A45D 6/10  
See application file for complete search history.

(56) **References Cited**

**U.S. PATENT DOCUMENTS**

D491,310 S *	6/2004	Glucksman	.....	D28/35
D724,784 S *	3/2015	Richmond	.....	D28/35
D732,738 S *	6/2015	Richmond	.....	D28/35
9,066,568 B2 *	6/2015	Serres-Vives	.....	A45D 1/04
D735,410 S *	7/2015	Richmond	.....	D28/37
D759,306 S *	6/2016	Delassus	.....	D28/35
D796,738 S *	9/2017	Kuitto	.....	D28/10

(Continued)

**OTHER PUBLICATIONS**

iGutech Automatic hair curler, iGutech, first available on amazon.co.uk on Aug. 19, 2018, retrieved on Mar. 21, 2019, retrieved from the Internet URL: <https://www.amazon.co.uk/iGutech-Automatic-Tourmaline-ceramic-digital/dp/B07FPCRNHX>.\*

*Primary Examiner* — Jennifer Rivard  
*Assistant Examiner* — Alison M Ofstun  
(74) *Attorney, Agent, or Firm* — Minder Law Group; Willy H. Wong

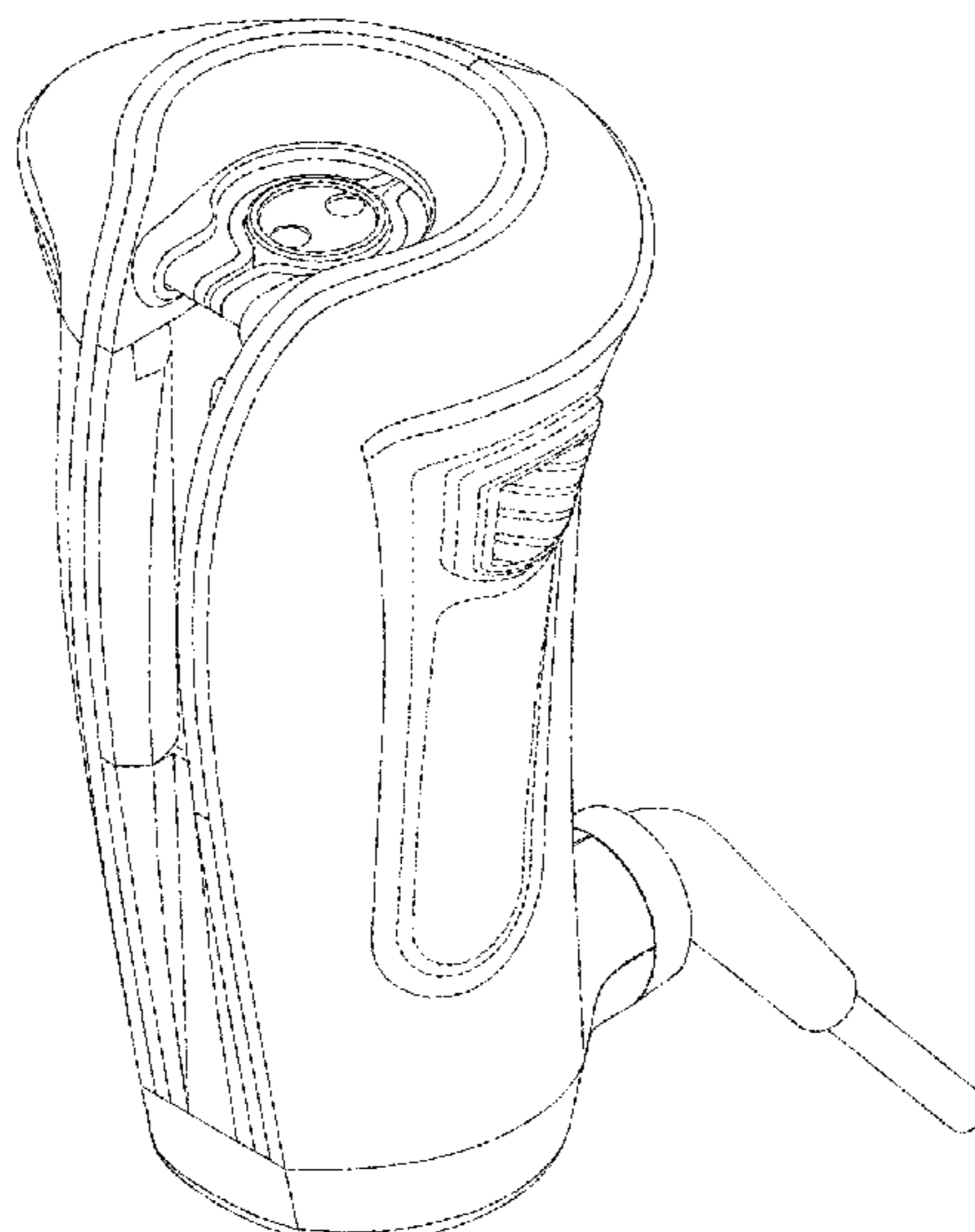
(57) **CLAIM**

The ornamental design for a hair curler, as shown and described.

**DESCRIPTION**

FIG. 1 is a front view of a hair curler showing my new design;  
FIG. 2 is a back view thereof;  
FIG. 3 is a left side view thereof;  
FIG. 4 is a right side view thereof;  
FIG. 5 is a top view thereof;  
FIG. 6 is a bottom view thereof;  
FIG. 7 is a first perspective view thereof;  
FIG. 8 is a second perspective view thereof;  
FIG. 9 is a third perspective view thereof, shown in an open position of use;  
FIG. 10 is a fourth perspective view thereof;  
FIG. 11 is a fifth perspective view thereof, shown in an environment of use;  
FIG. 12 is a sixth perspective view thereof, shown in an environment of use; and,  
FIG. 13 is an enlarged view thereof, of the portion designated "13" shown in FIG. 5.  
The broken lines disclosure of the person illustrates the environment and the remaining broken lines illustrate portions of the article. None of the broken lines form part of the claimed design.

**1 Claim, 13 Drawing Sheets**



(56)

**References Cited**

U.S. PATENT DOCUMENTS

2005/0268933 A1\* 12/2005 Kimata ..... A45D 2/10  
132/238  
2014/0366909 A1\* 12/2014 Richmond ..... A45D 2/36  
132/211  
2017/0196333 A1\* 7/2017 Leung ..... H01J 37/08  
2018/0055181 A1\* 3/2018 Spark ..... A45D 2/24  
2018/0255898 A1\* 9/2018 Bonnemaire ..... A45D 1/16  
2018/0263352 A1\* 9/2018 Chan ..... A45D 8/00

\* cited by examiner

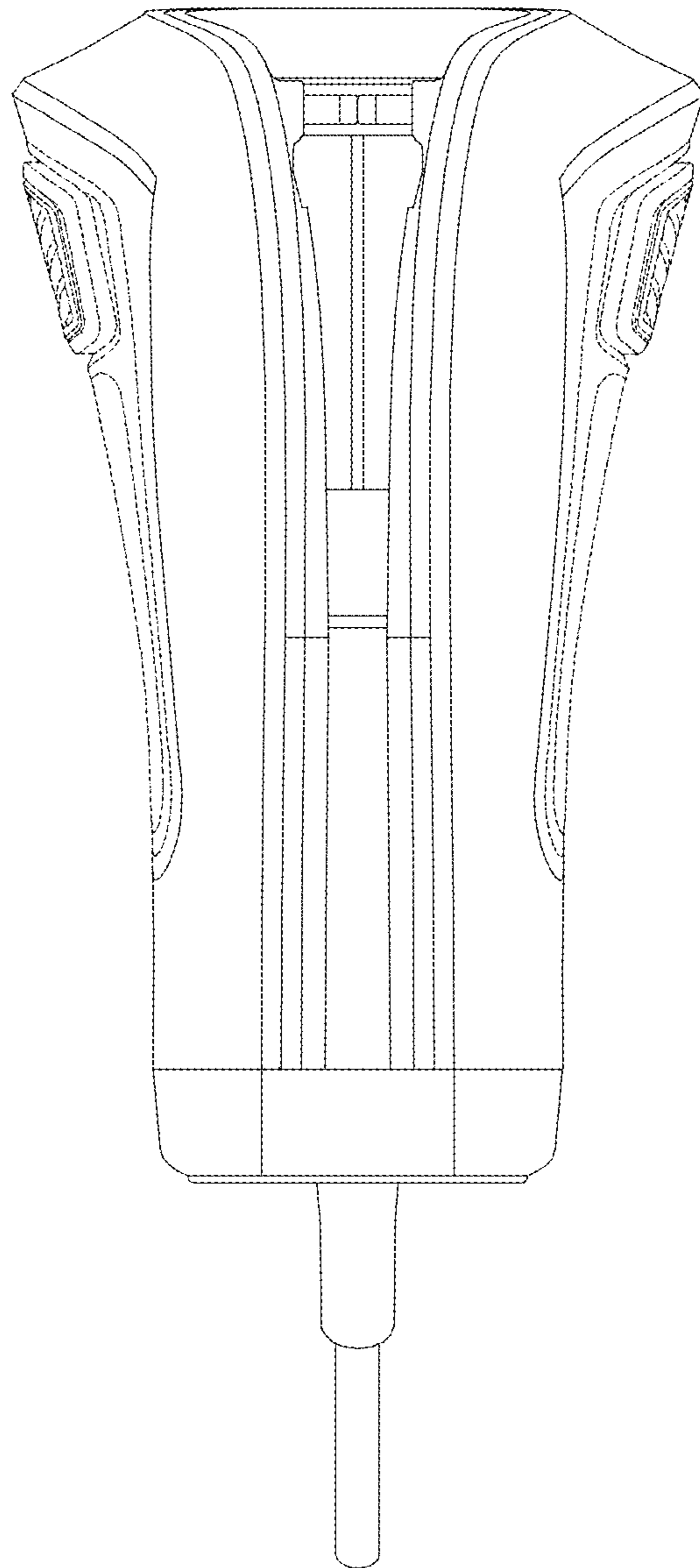


FIG. 1

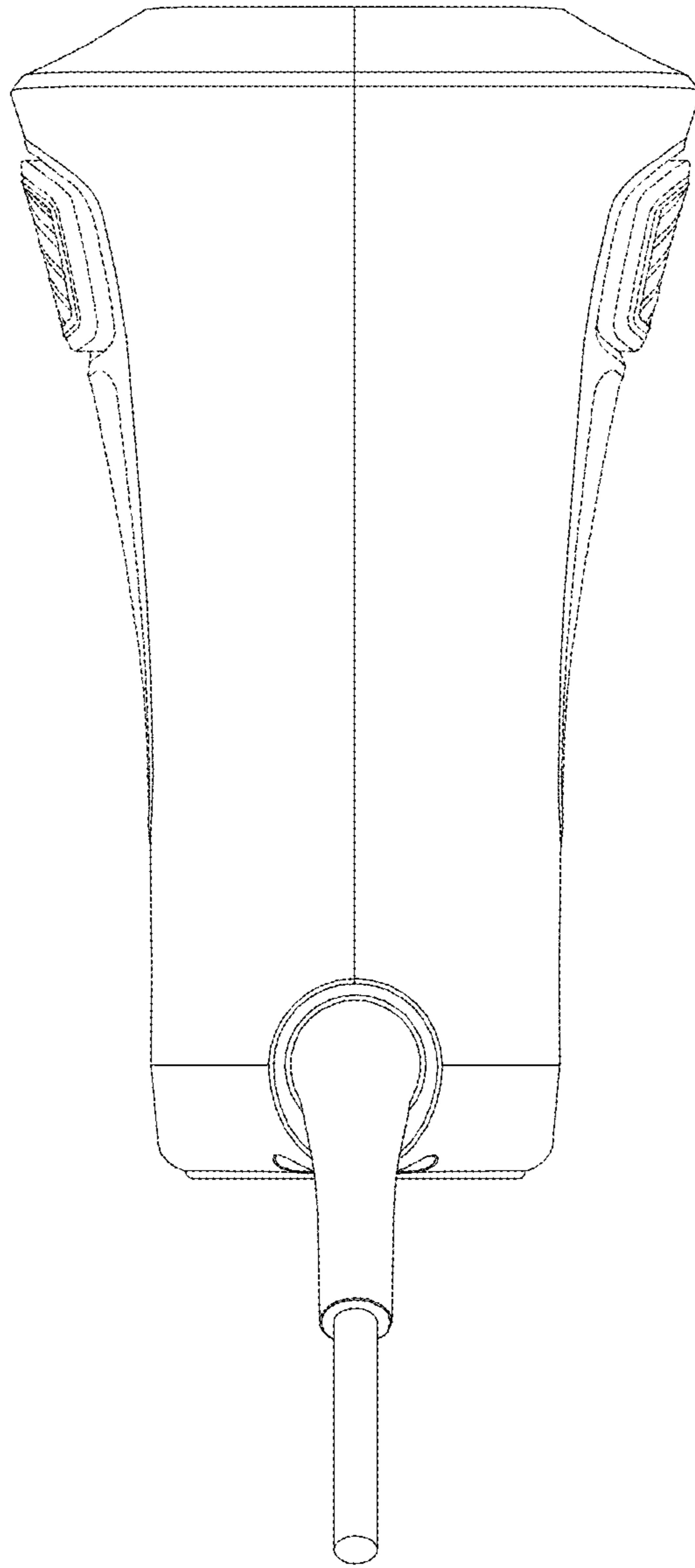


FIG. 2

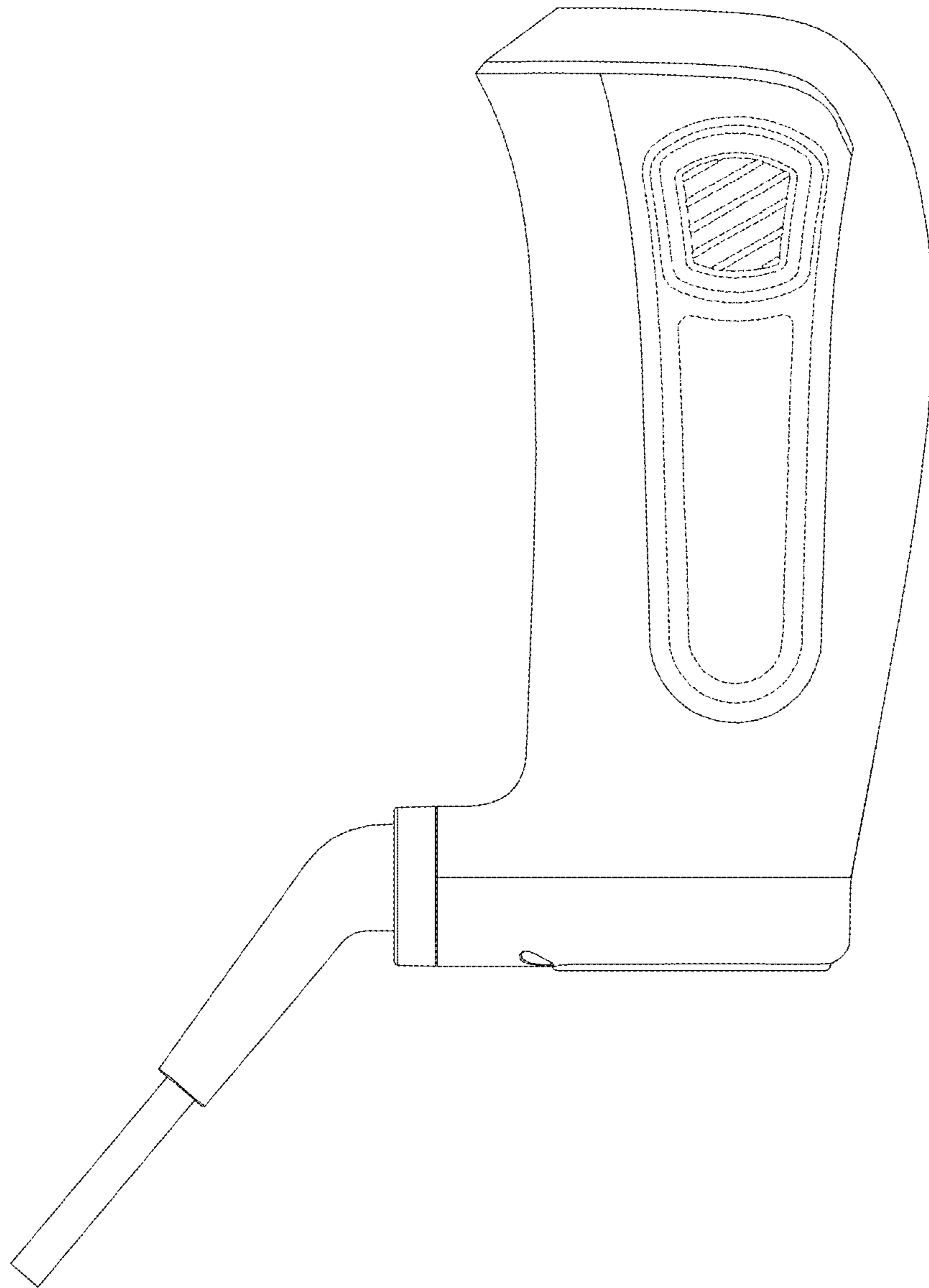


FIG. 3

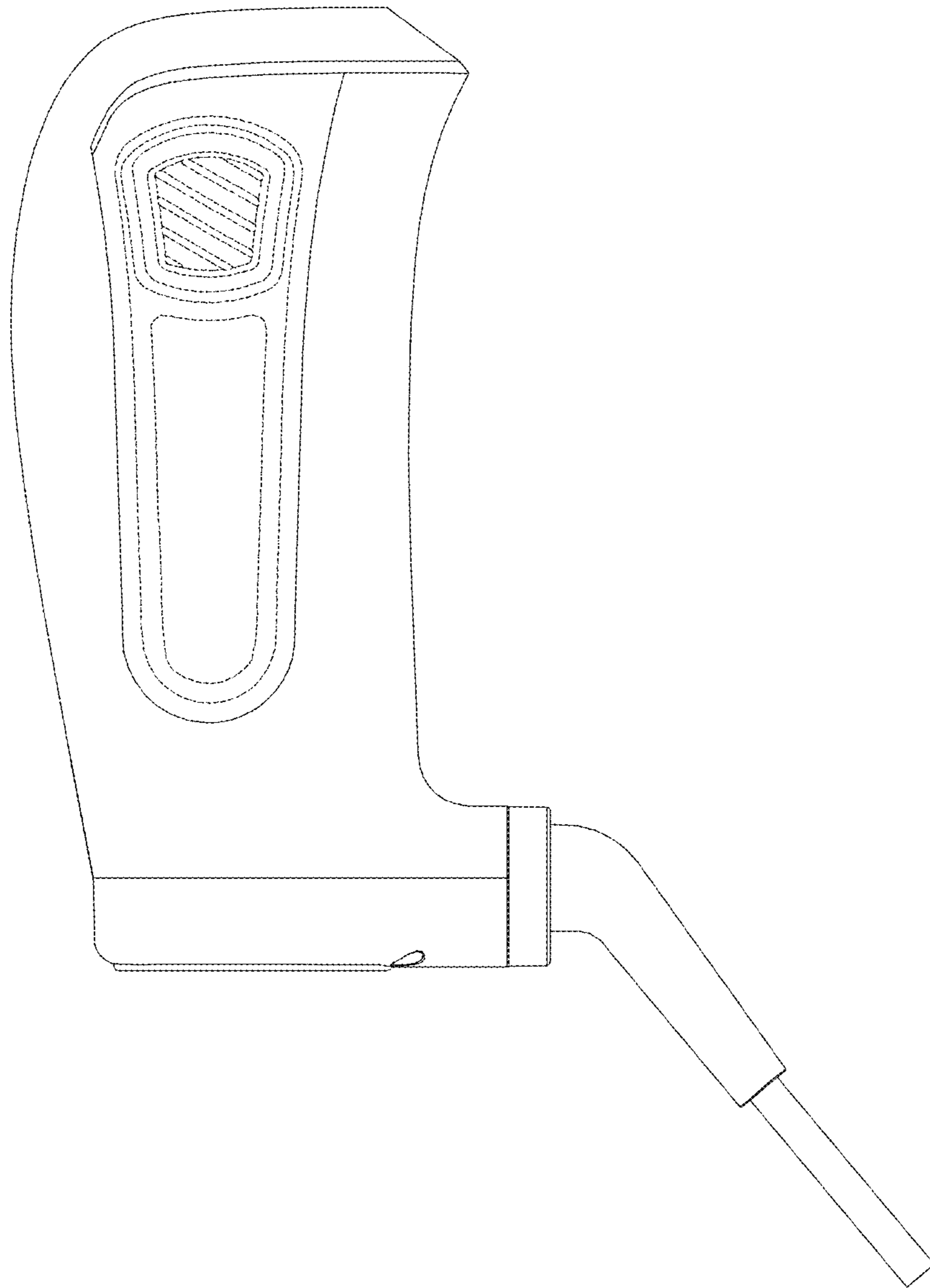


FIG. 4

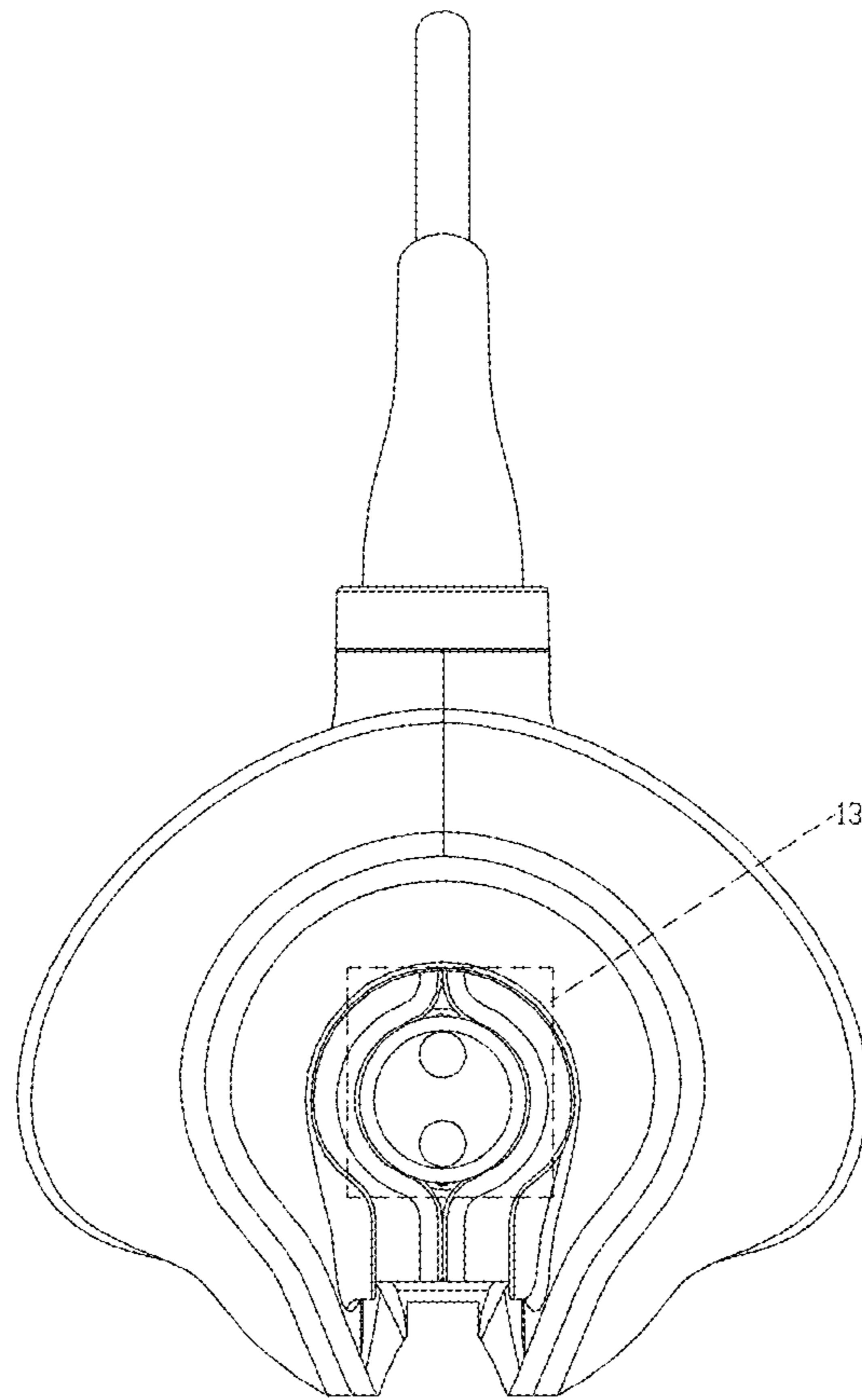


FIG. 5



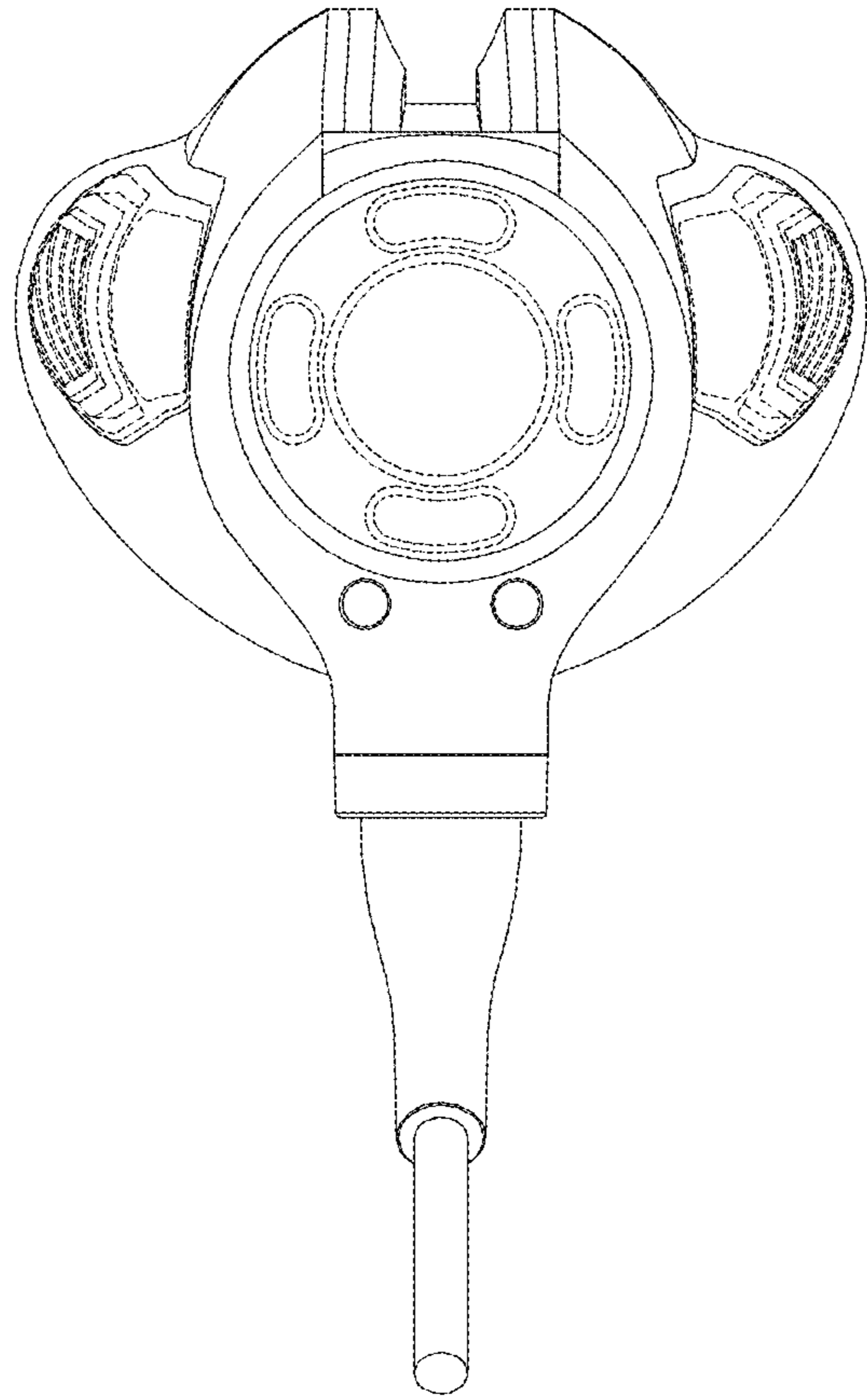


FIG. 6



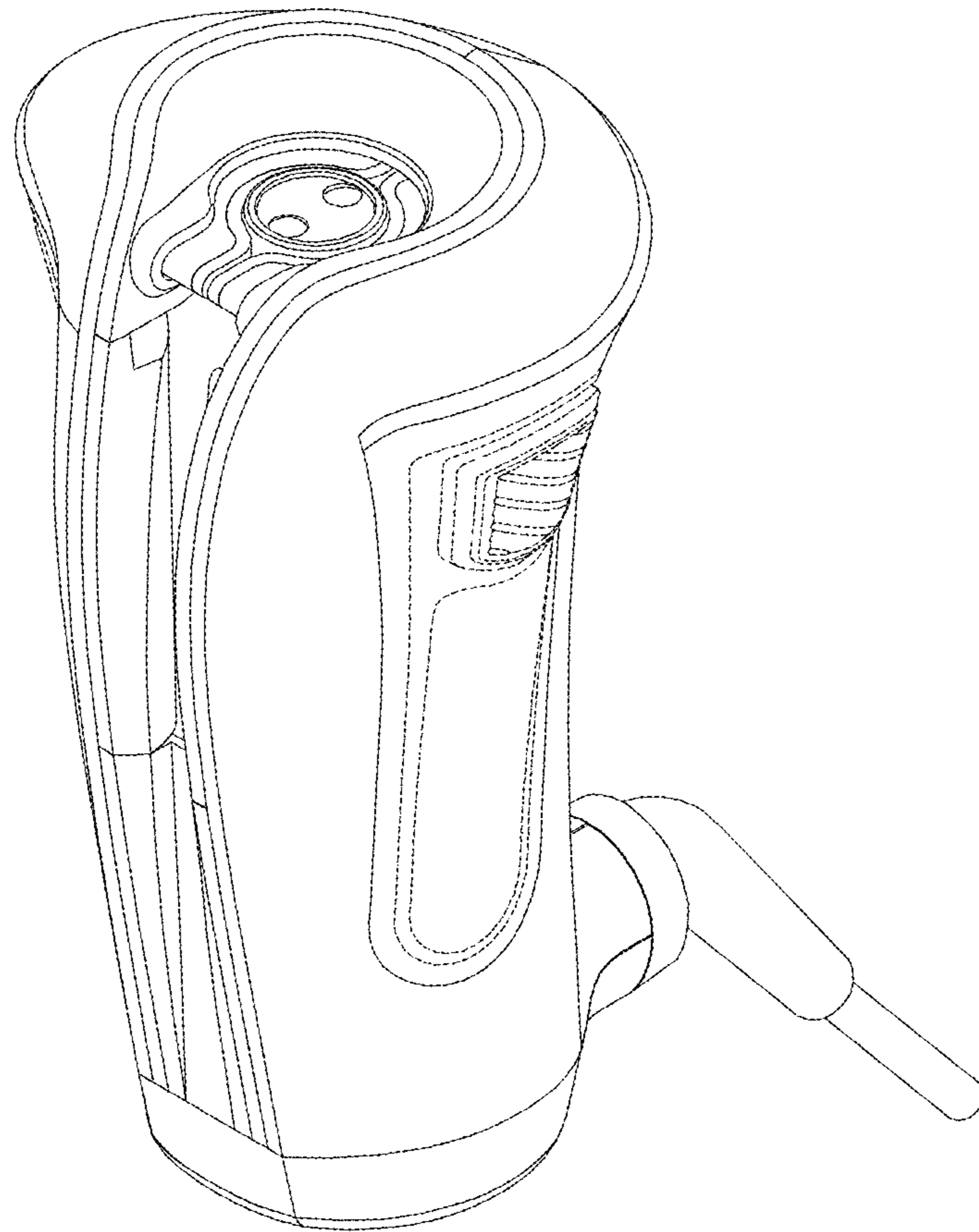


FIG. 7

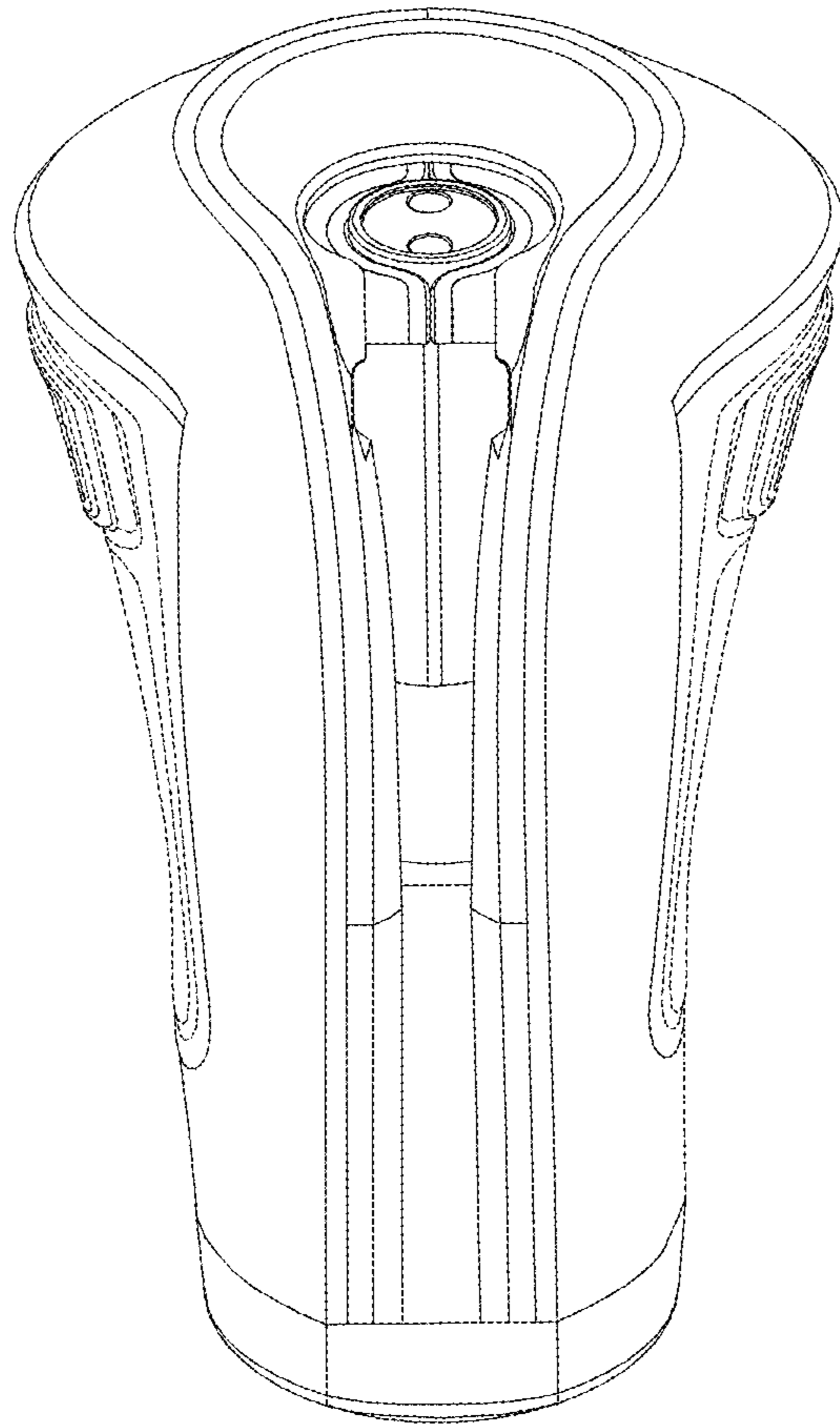


FIG. 8

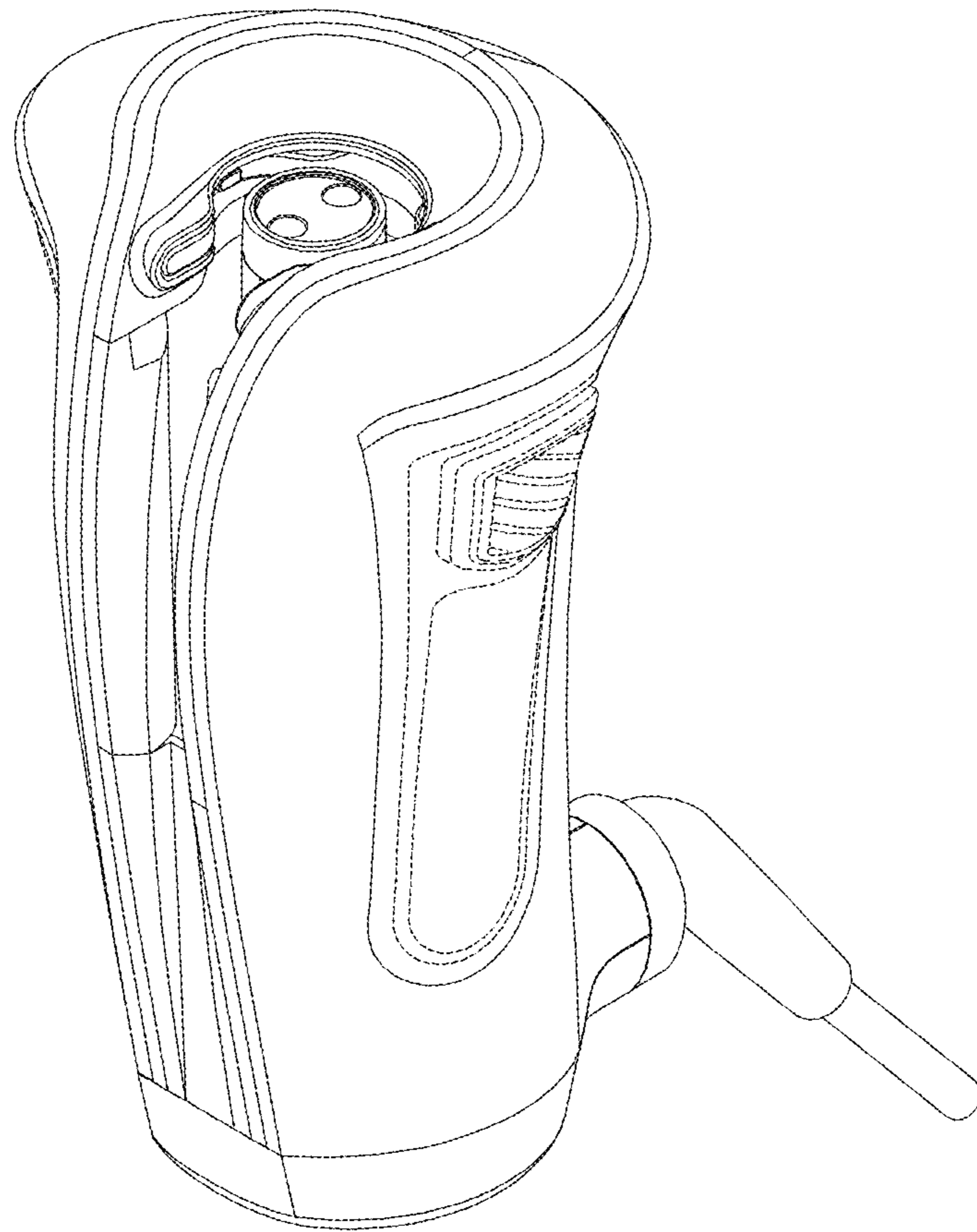


FIG. 9

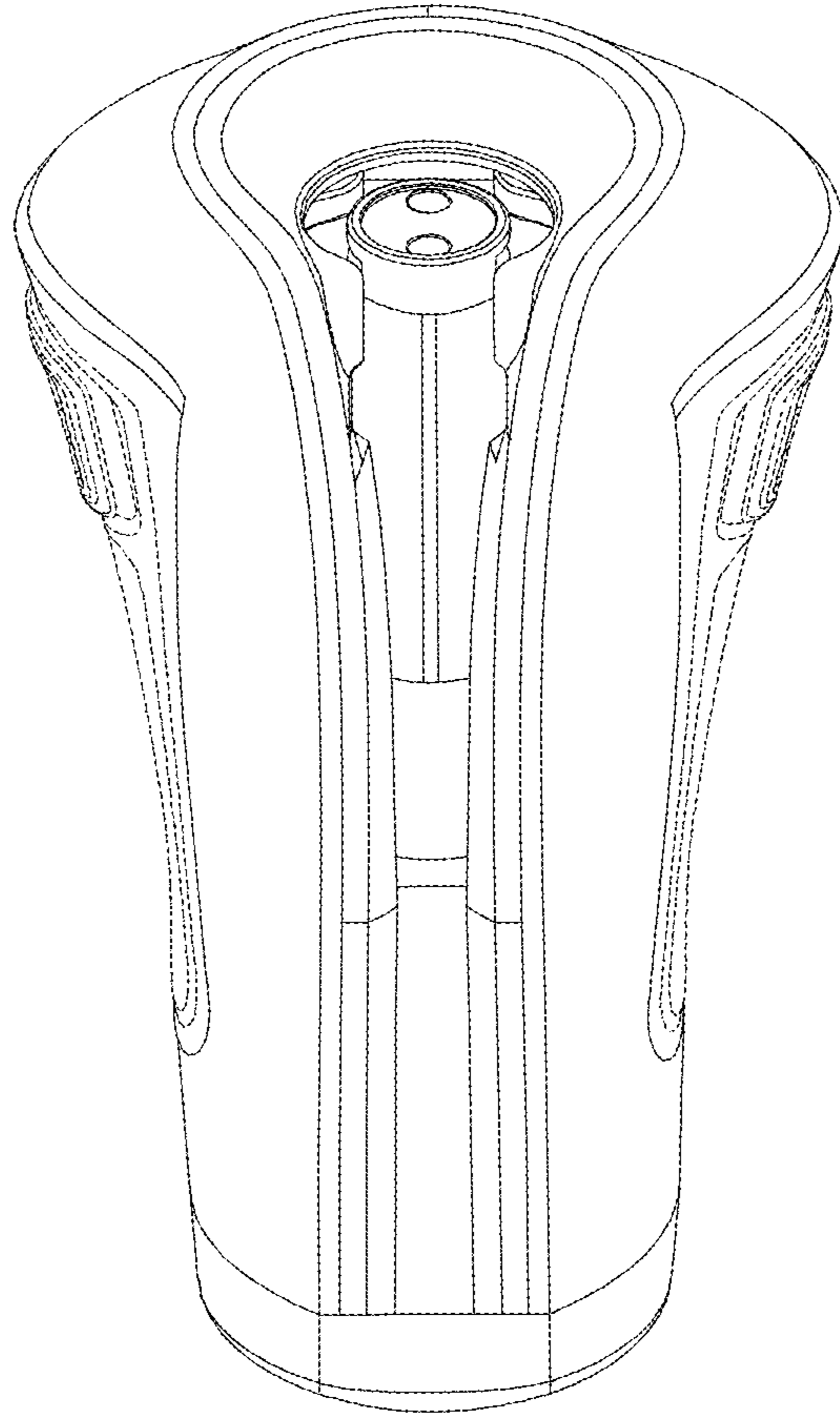


FIG. 10

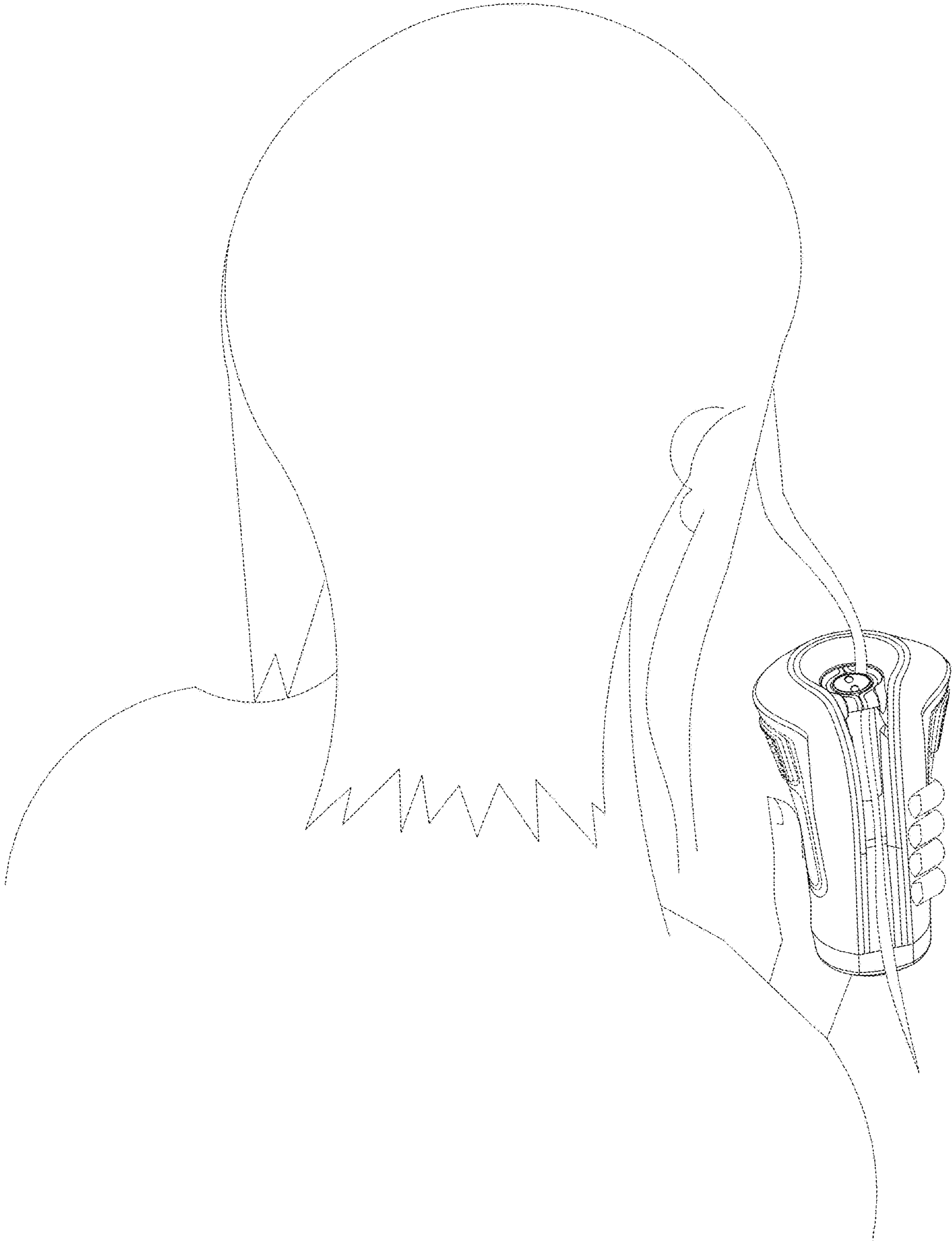


FIG. 11

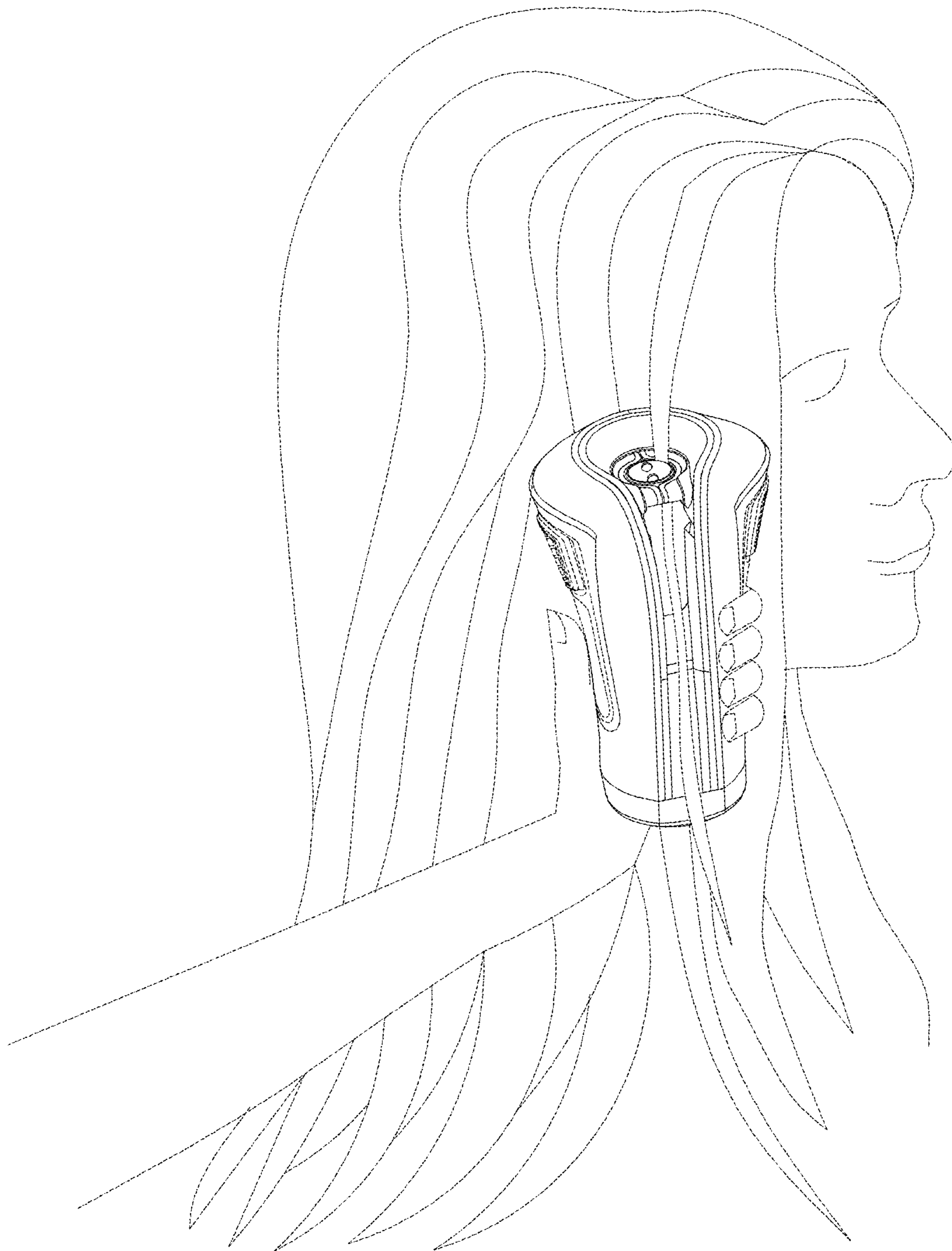


FIG. 12



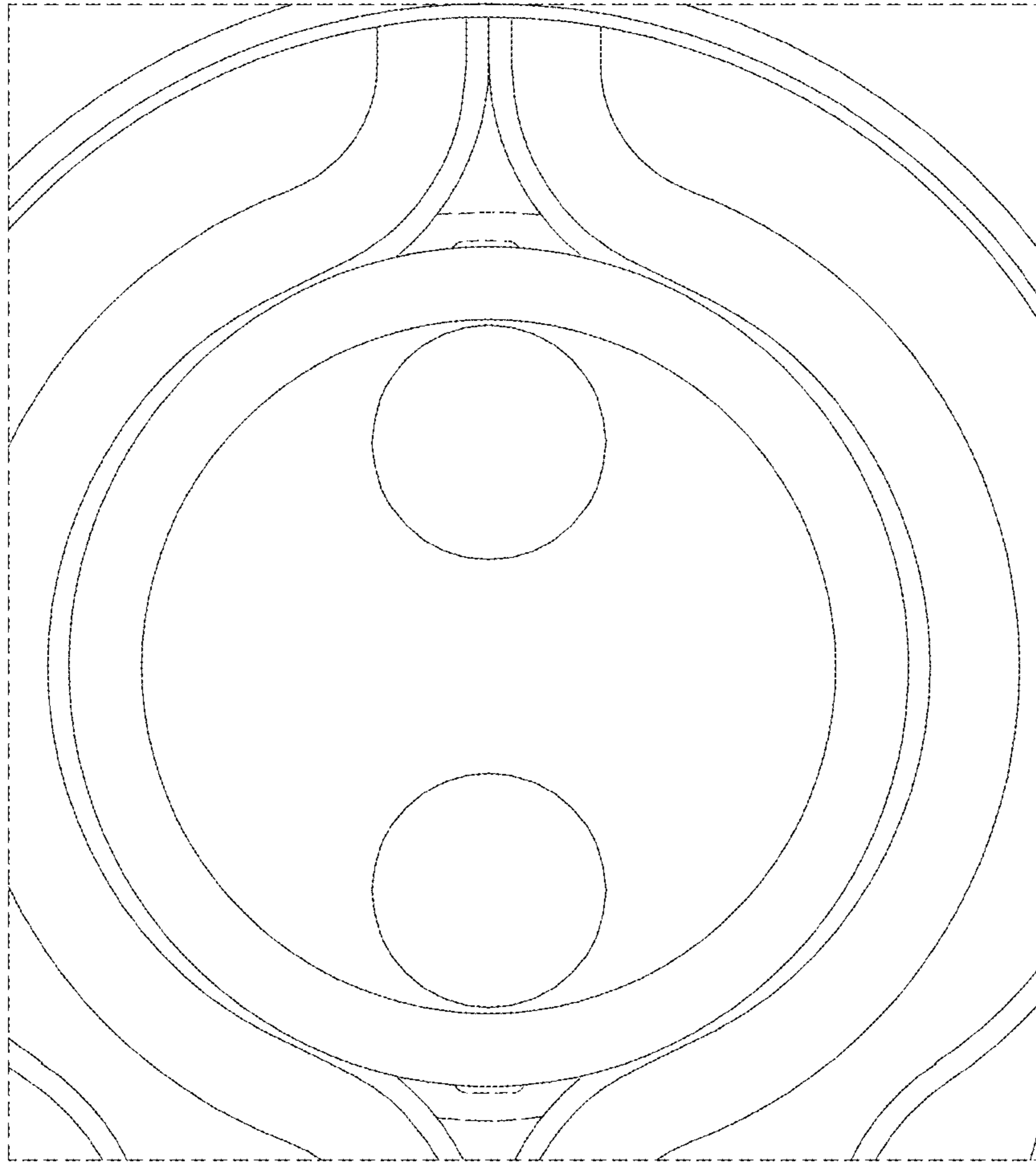


FIG. 13