



US00D897597S

(12) **United States Design Patent**  
**Hu**

(10) **Patent No.:** **US D897,597 S**

(45) **Date of Patent:** **\*\* Sep. 29, 2020**

(54) **TAIL LIGHT**

(71) Applicant: **Chun Hu**, Guangzhou (CN)

(72) Inventor: **Chun Hu**, Guangzhou (CN)

(\*\*) Term: **15 Years**

(21) Appl. No.: **29/693,561**

(22) Filed: **Jun. 3, 2019**

(51) **LOC (12) Cl.** ..... **26-06**

(52) **U.S. Cl.**  
USPC ..... **D28/26**

(58) **Field of Classification Search**

USPC ..... D26/28, 29, 30, 31, 32, 33, 34, 35, 36  
CPC ..... F21S 48/00; F21S 48/10; F21S 48/115;  
F21S 48/225; F21S 48/1233; F21S  
48/1266; F21S 48/1388; F21S 48/2268;  
F21V 21/04; F21W 2103/35; F21W 3/40;  
F21W 2102/17; F21W 2102/30; F21W  
2103/00; F21W 2103/55; F21W 2104/00;  
F21W 2107/17; F21W 2107/13

See application file for complete search history.

(56) **References Cited**

**U.S. PATENT DOCUMENTS**

D511,850 S \* 11/2005 Huang ..... D26/28  
D535,044 S \* 1/2007 Branstetter ..... D26/28

D756,008 S \* 5/2016 Wilson ..... D26/31  
D765,285 S \* 8/2016 Lai ..... D26/28  
D827,887 S \* 9/2018 Pan ..... D26/28  
D828,591 S \* 9/2018 Wu ..... D26/28  
D840,067 S \* 2/2019 Ding ..... D26/28  
D845,523 S \* 4/2019 Vetter ..... D26/31  
D857,263 S \* 8/2019 Goodrich ..... D26/28  
D873,453 S \* 1/2020 Grabowski ..... D26/28  
D874,037 S \* 1/2020 Grabowski ..... D26/28

\* cited by examiner

*Primary Examiner* — Angela J Lee

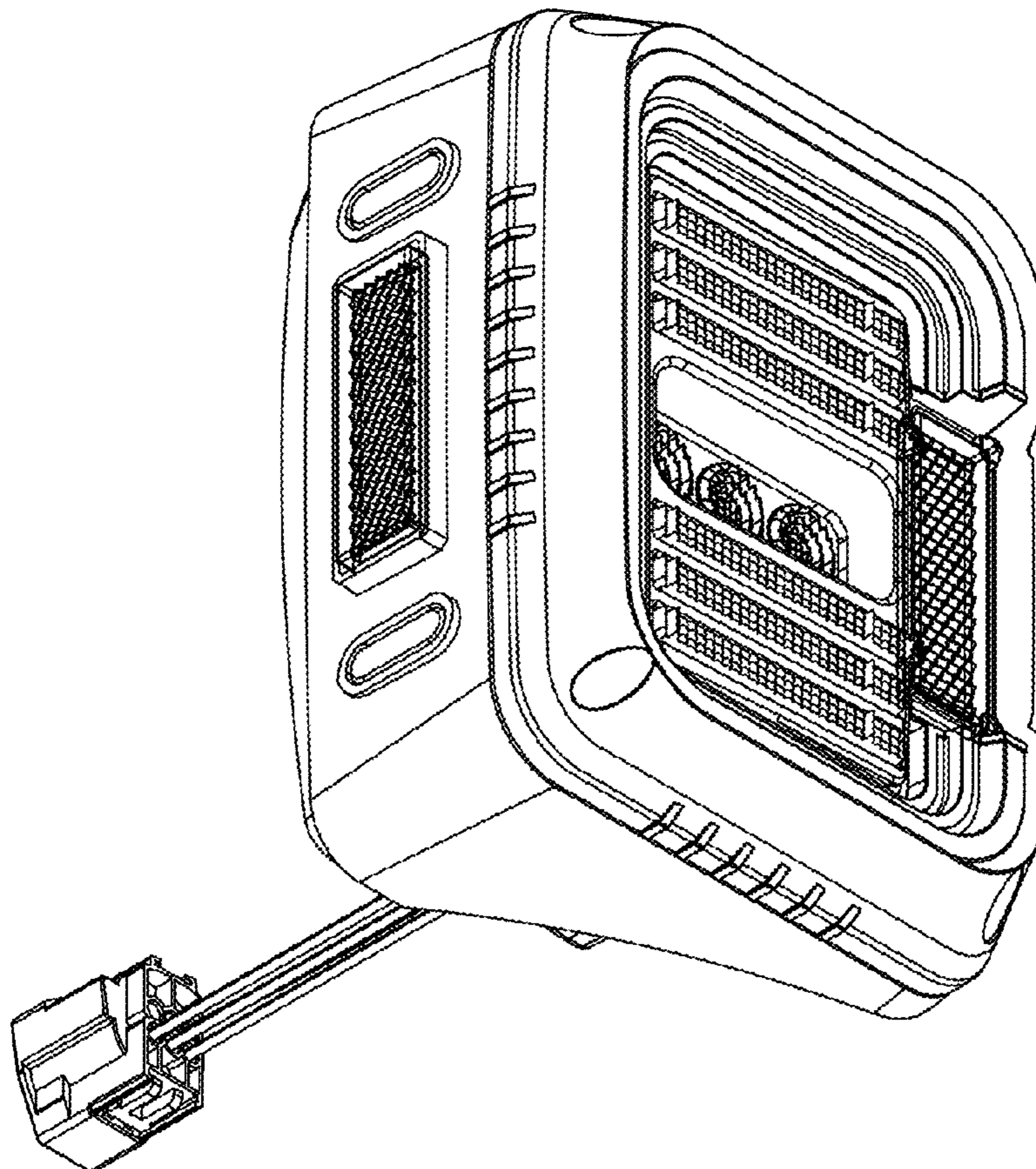
(57) **CLAIM**

The ornamental design for a tail light, as shown and described.

**DESCRIPTION**

FIG. 1 is a front perspective view of a tail light showing my new design;  
FIG. 2 is a rear perspective view thereof;  
FIG. 3 is a front view thereof;  
FIG. 4 is a rear view thereof;  
FIG. 5 is a side view thereof;  
FIG. 6 is another side view thereof;  
FIG. 7 is a bottom view thereof; and,  
FIG. 8 is a top view thereof.

**1 Claim, 8 Drawing Sheets**



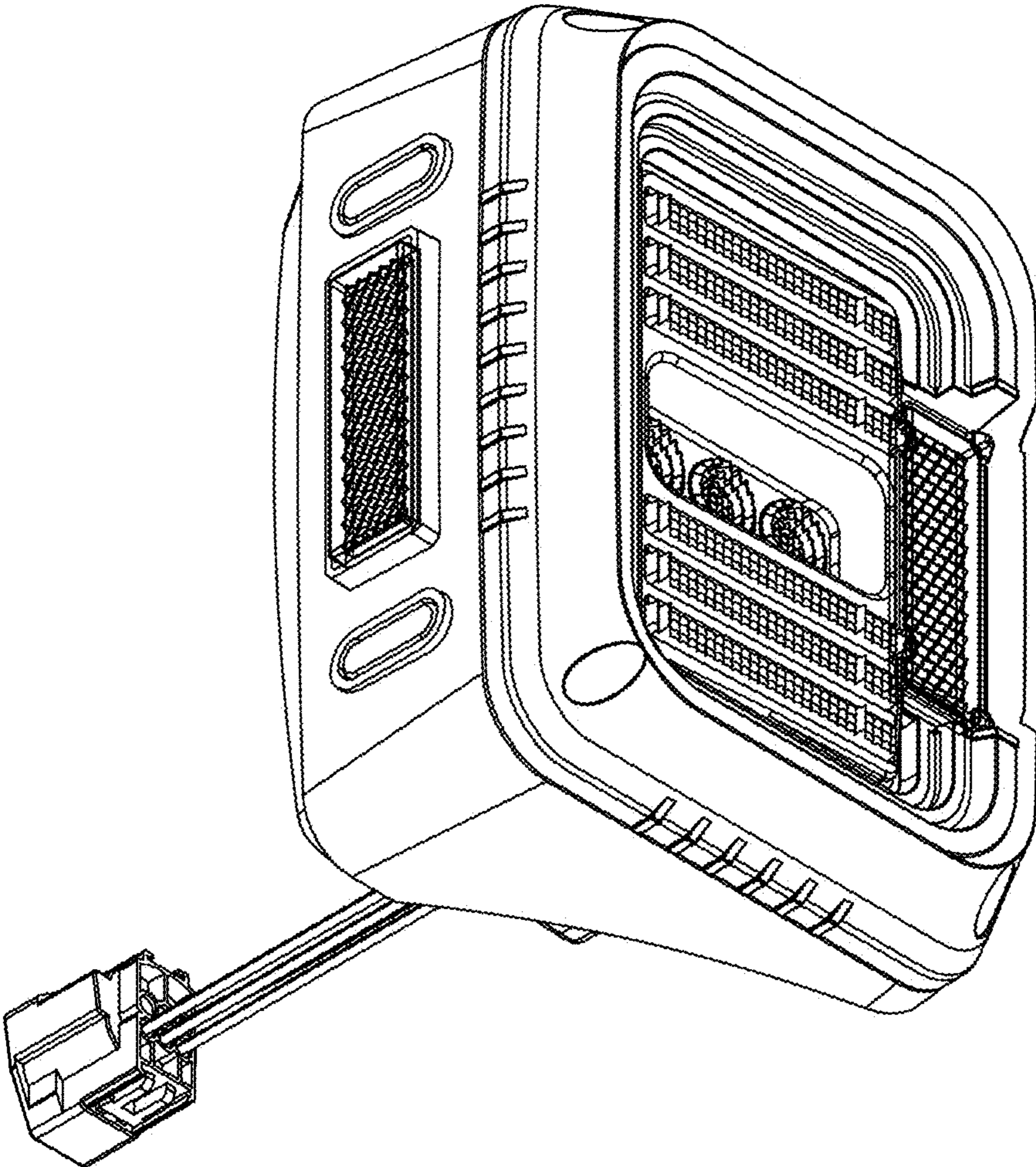


FIG. 1



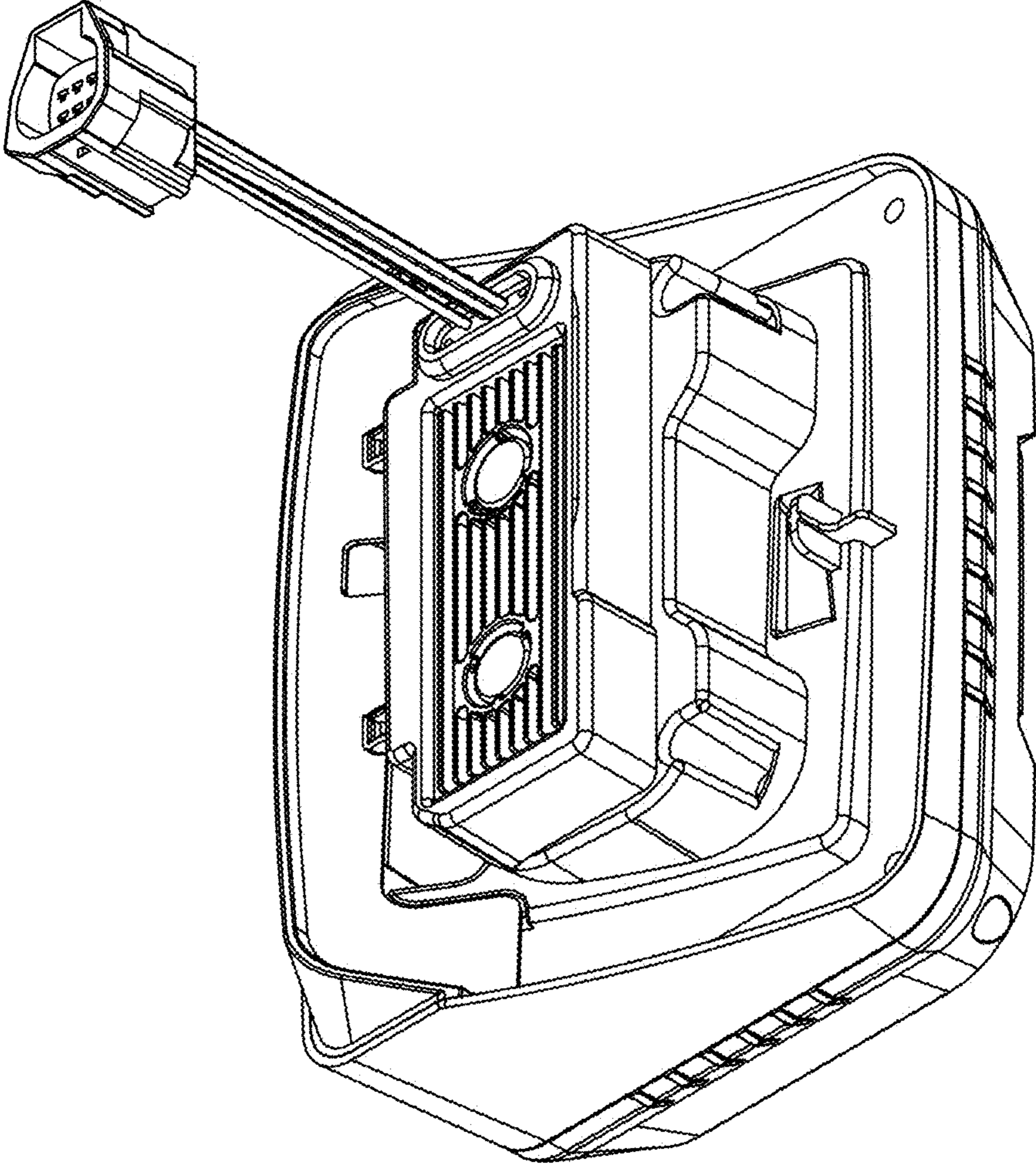


FIG. 2

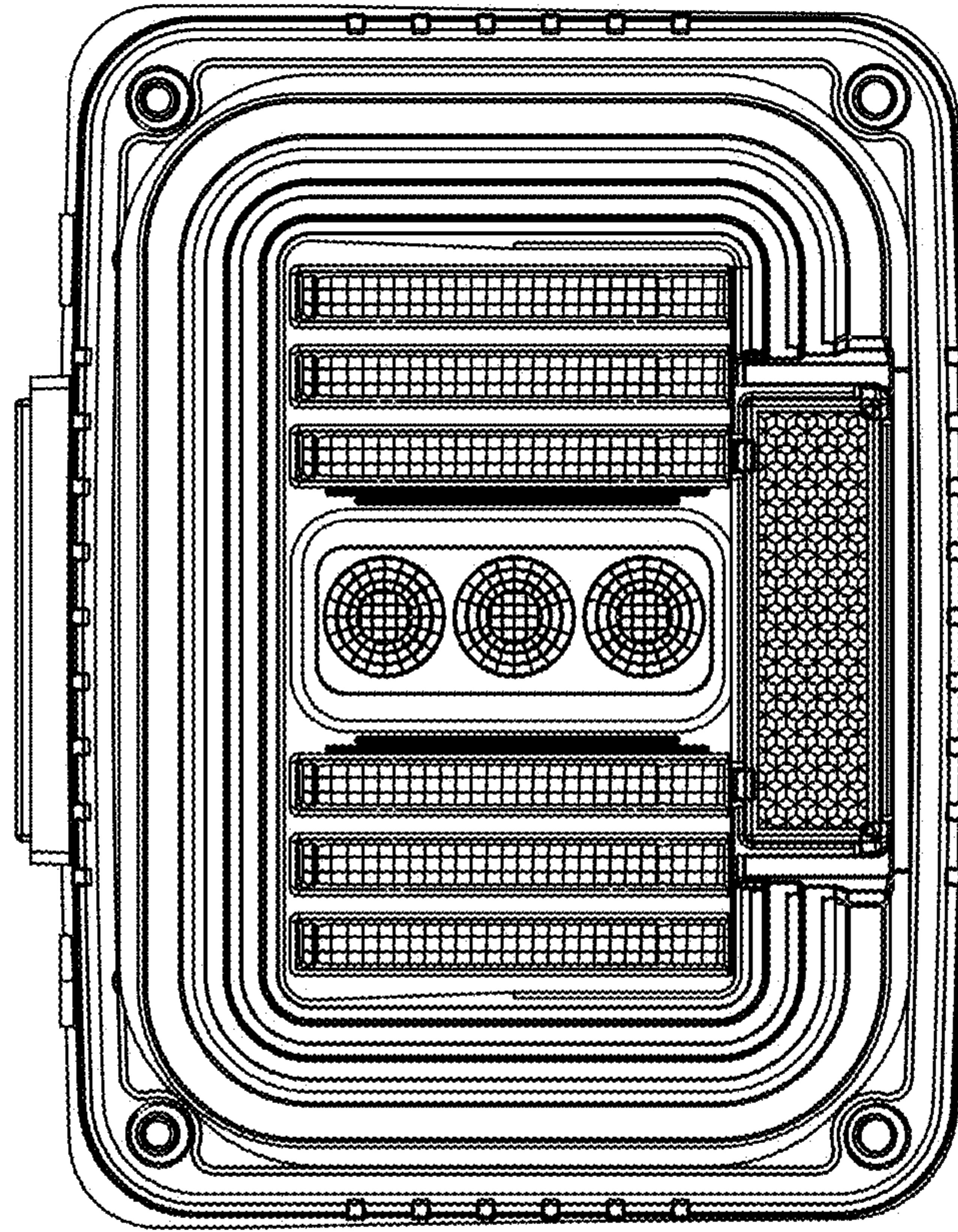


FIG. 3

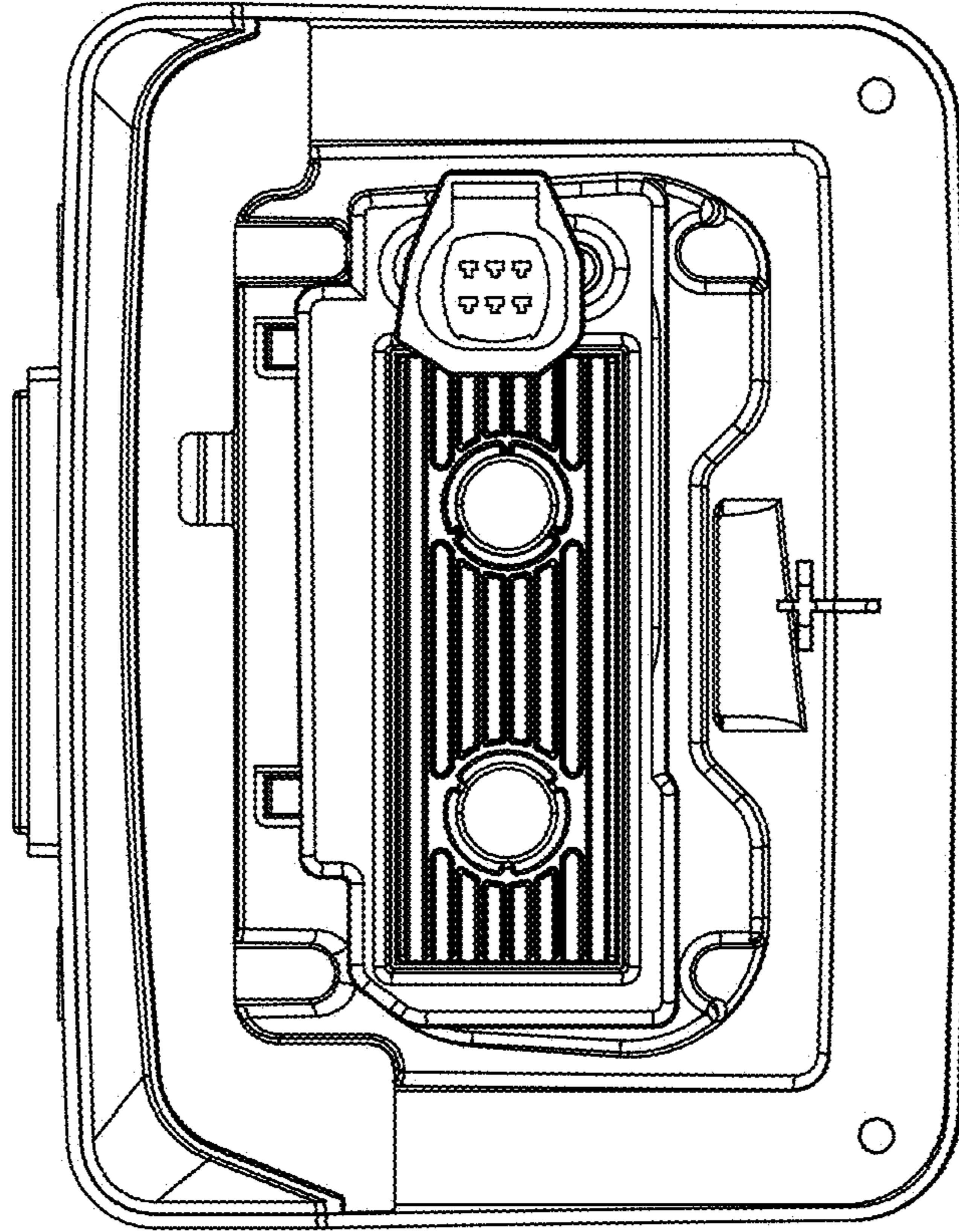


FIG. 4



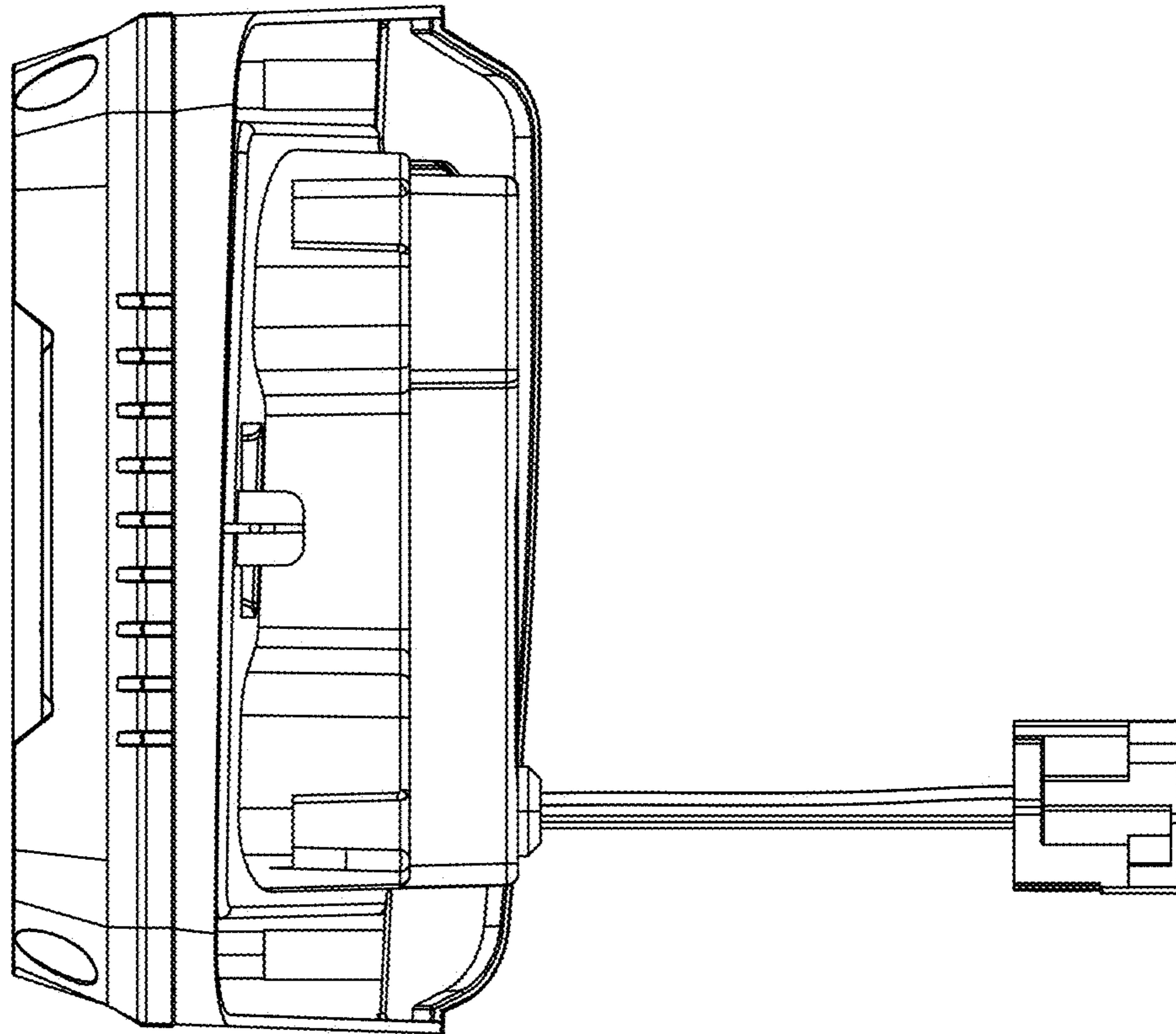


FIG. 5

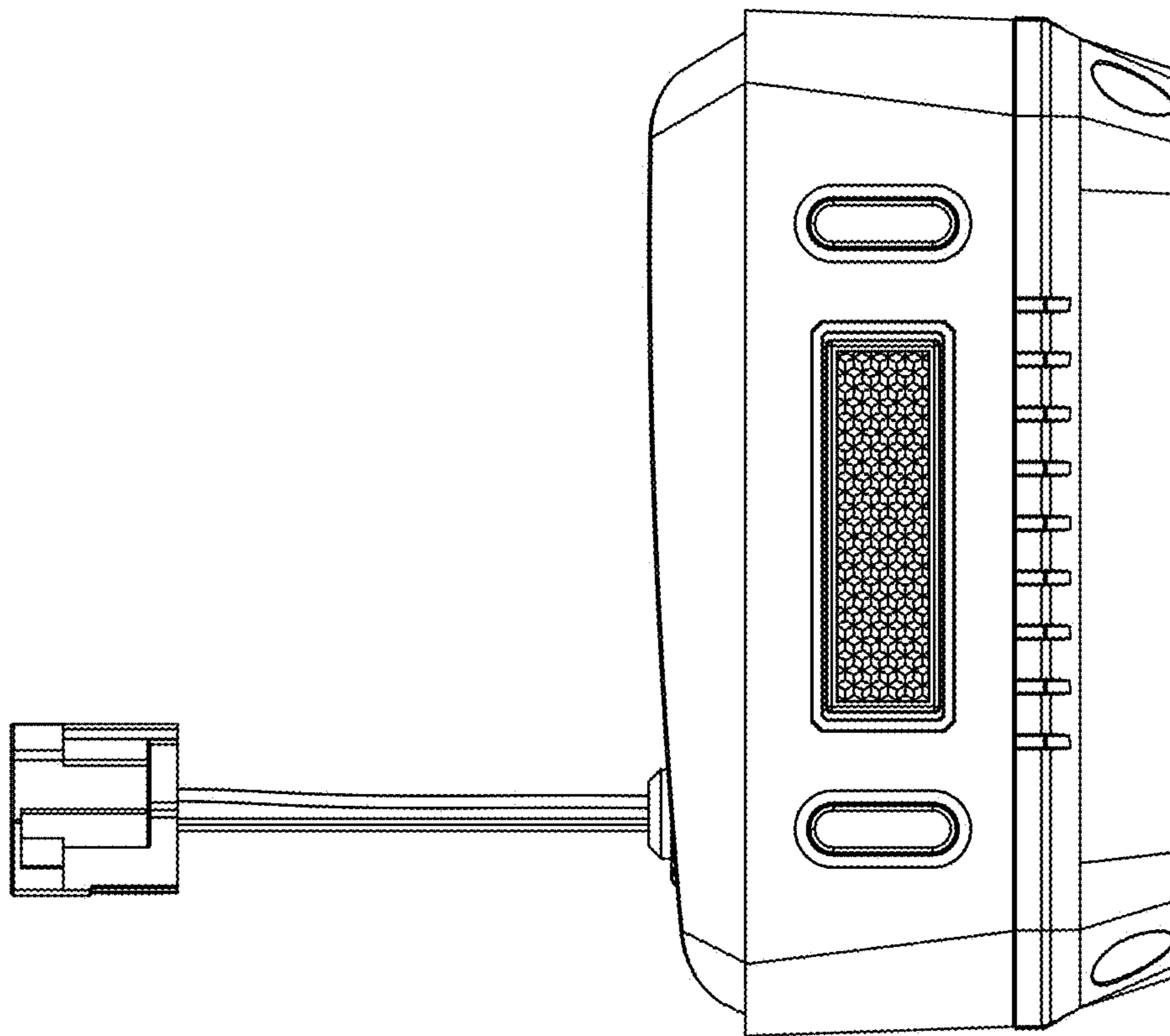


FIG. 6

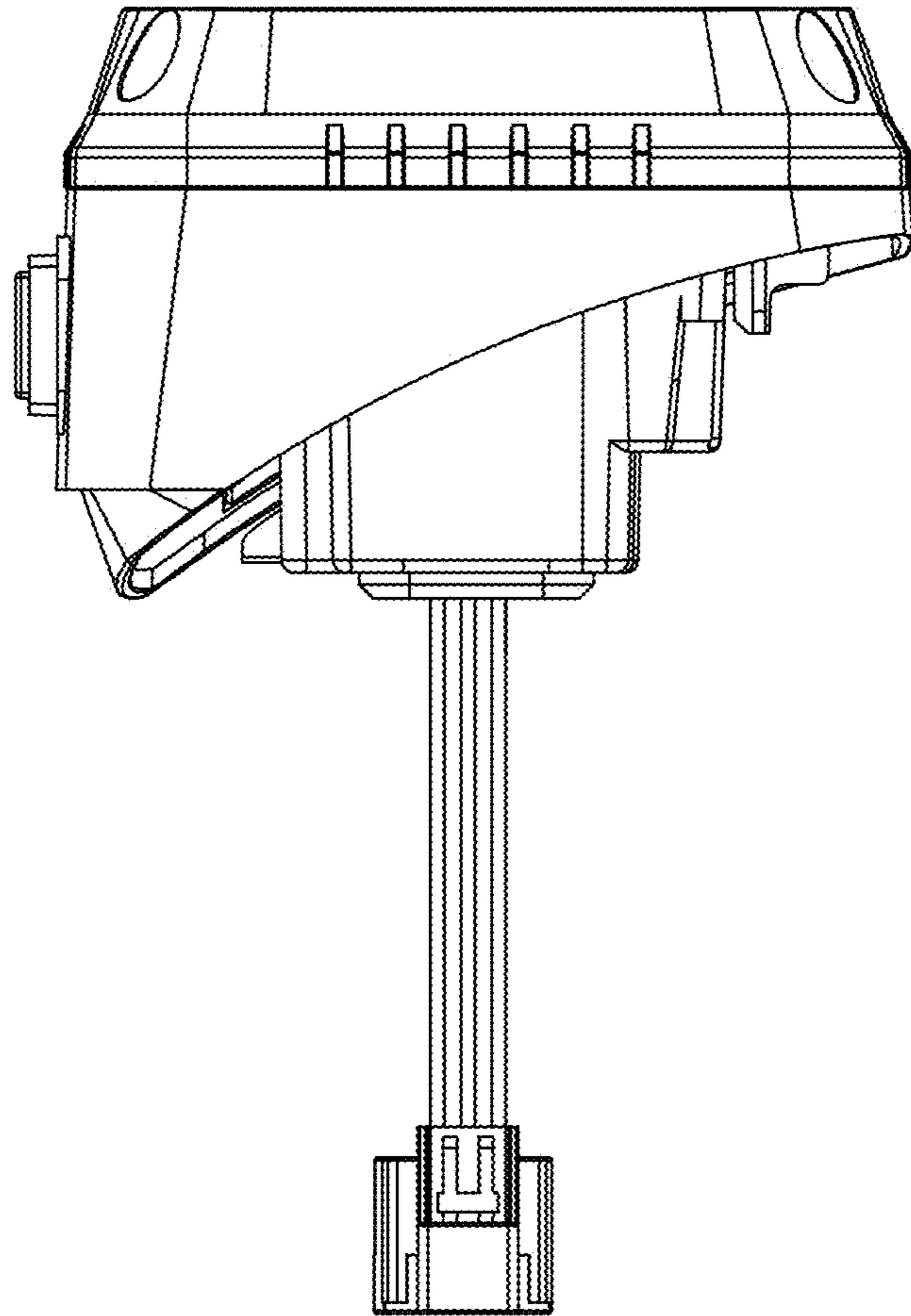


FIG. 7



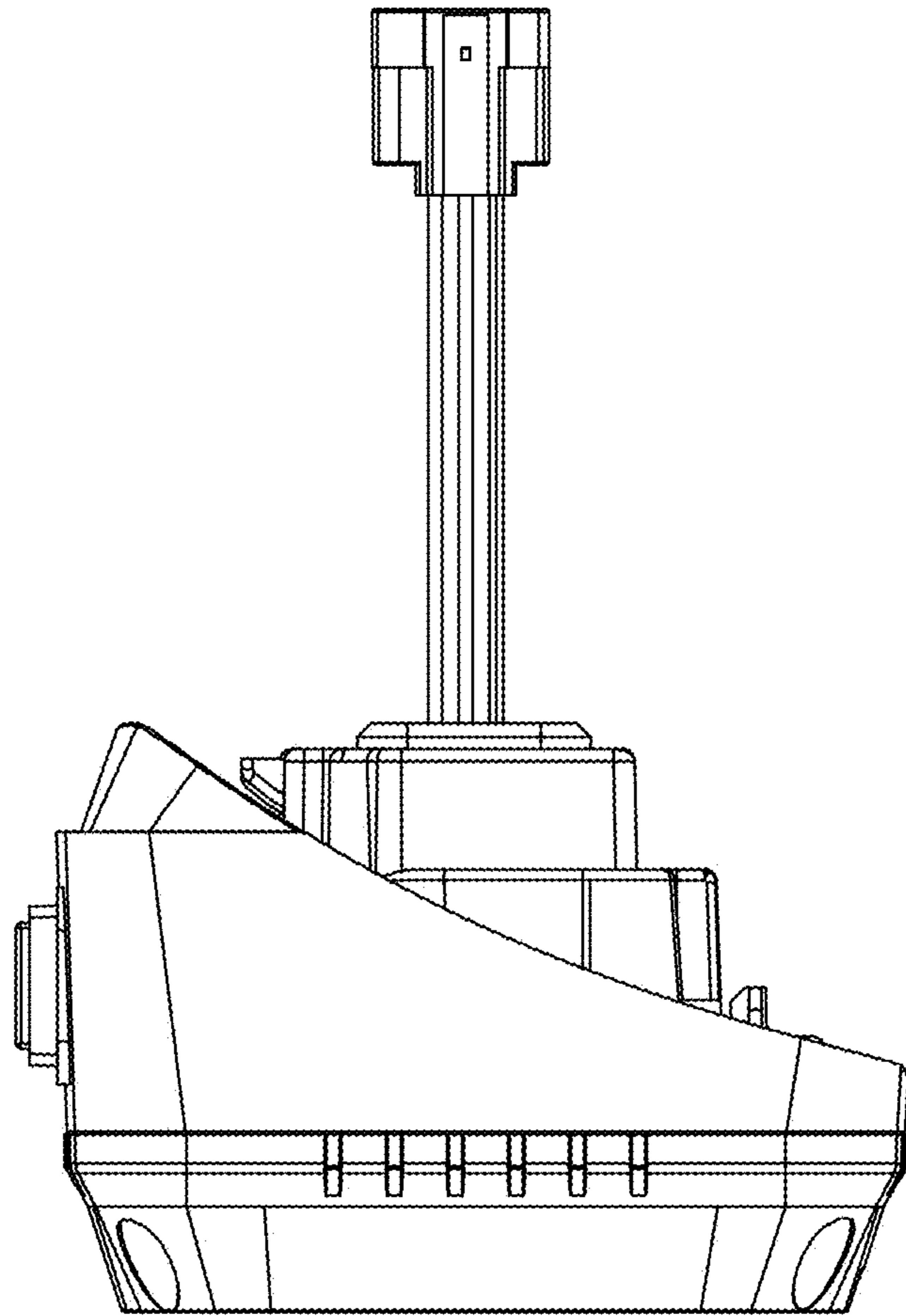


FIG. 8