



US00D897595S

(12) **United States Design Patent** (10) **Patent No.:** **US D897,595 S**
Guo (45) **Date of Patent:** **** Sep. 29, 2020**

(54) **ELECTRONIC CIGARETTE**
(71) Applicant: **Xiaohua Guo**, Shenzhen (CN)
(72) Inventor: **Xiaohua Guo**, Shenzhen (CN)
(73) Assignee: **FOGWARE TECHNOLOGY (SHENZHEN) CO., LTD.**, Shenzhen (CN)

D829,980 S * 10/2018 Qiu D27/162
D832,500 S * 10/2018 Qiu D27/162
D834,246 S * 11/2018 Qiu D27/162
D836,831 S * 12/2018 Cividi D27/162
D837,446 S * 1/2019 Durand D27/101
D853,632 S * 7/2019 Qiu D27/101
D859,735 S * 9/2019 Qiu D27/162
D860,519 S * 9/2019 Cividi D27/162
D861,239 S * 9/2019 Chen D27/101
D861,973 S * 10/2019 Qiu D27/101
D864,474 S * 10/2019 Smith D27/162

(**) Term: **15 Years**

* cited by examiner

(21) Appl. No.: **29/675,888**

Primary Examiner — Marissa J Cash
Assistant Examiner — Rebecca Tsehaye

(22) Filed: **Jan. 7, 2019**

(51) **LOC (12) Cl.** **27-02**

(57) **CLAIM**

(52) **U.S. Cl.**
USPC **D27/162**

The ornamental design for an electronic cigarette, as shown and described.

(58) **Field of Classification Search**
USPC D27/162, 100, 101, 163–165, 172, 183, D27/185–194; D24/110, 110.5; 128/202.21, 203.12; 131/273, 274, 270, 131/191, 328, 329, 330, 360–365
CPC A24F 9/00; A24F 47/002; A24F 47/004; A24F 47/006; A24F 47/008; A61M 15/06
See application file for complete search history.

DESCRIPTION

(56) **References Cited**

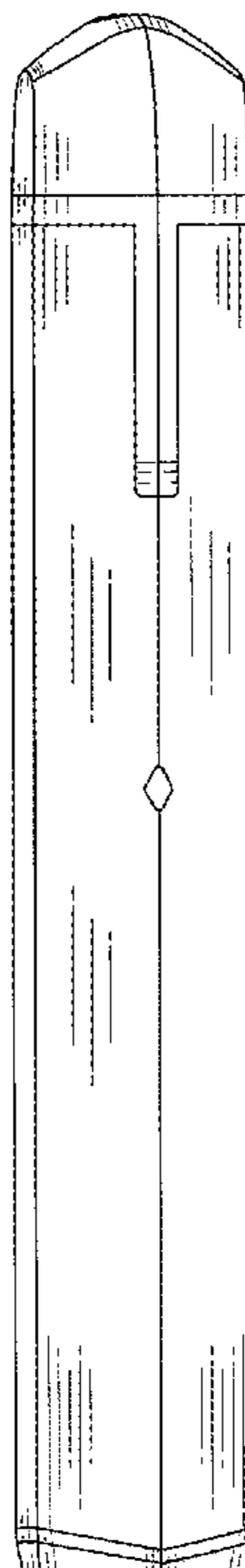
U.S. PATENT DOCUMENTS

D675,777 S * 2/2013 Wu D27/101
D799,110 S * 10/2017 Qiu D27/101
D822,896 S * 7/2018 Durand D27/101
D825,834 S * 8/2018 Chen D27/101
D829,371 S * 9/2018 Durand D27/101

FIG. 1 is a perspective view of an electronic cigarette showing my new design;
FIG. 2 is a front elevation view thereof;
FIG. 3 is a rear elevation view thereof;
FIG. 4 is a left side elevation view thereof;
FIG. 5 is a right side elevation view thereof;
FIG. 6 is a top plan view thereof, shown enlarged in scale;
FIG. 7 is a bottom plan view thereof, shown enlarged in scale;
FIG. 8 is a partial enlarged view of FIG. 6; and,
FIG. 9 is an exploded view thereof.

The broken lines in the drawings depict portions of the electronic cigarette that form no part of the claimed design.

1 Claim, 9 Drawing Sheets



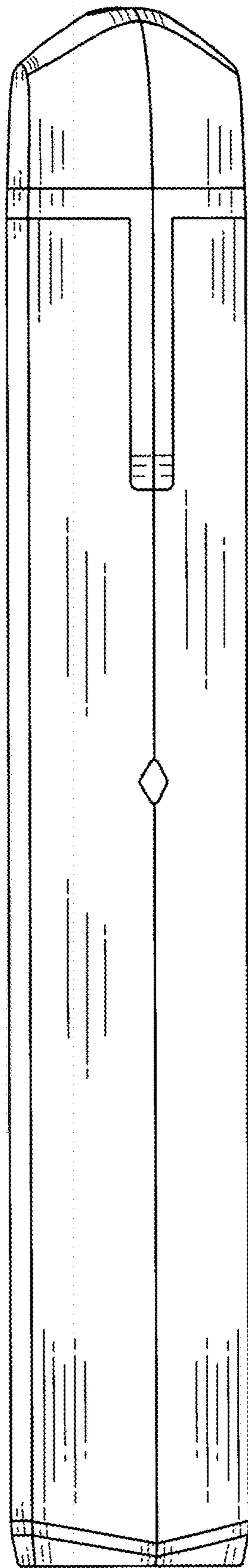


FIG. 1

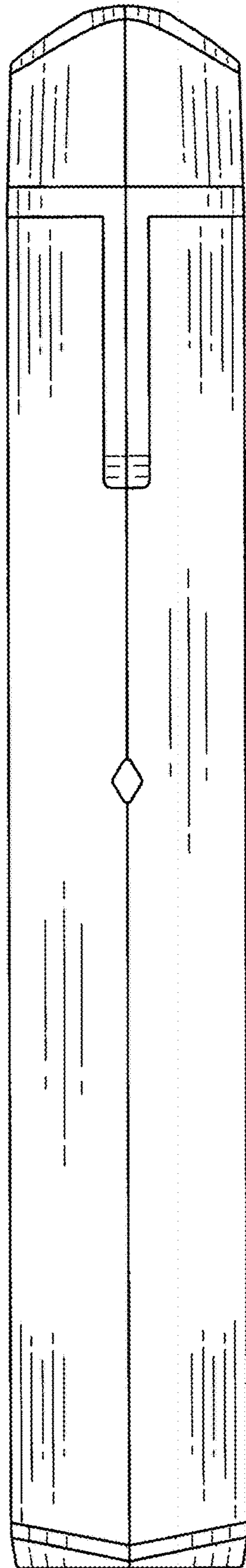


FIG. 2

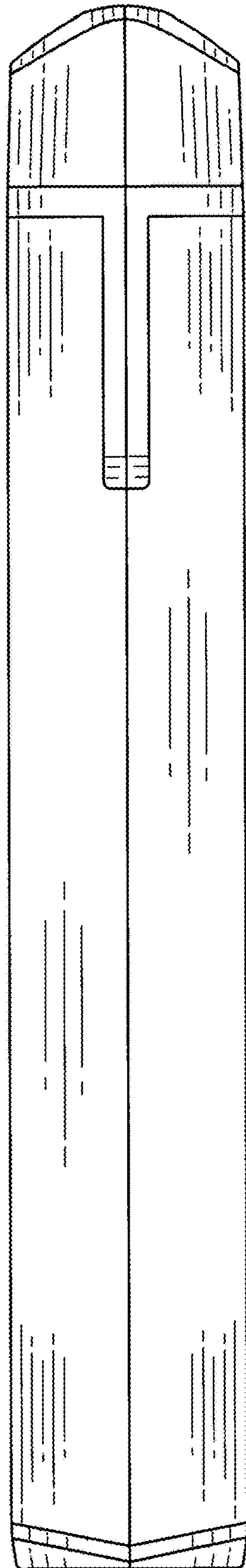


FIG. 3

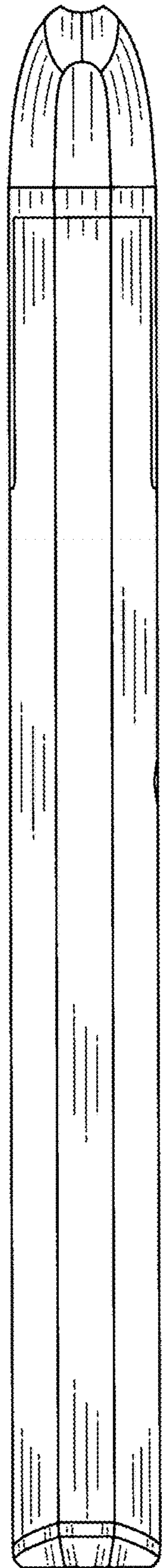


FIG. 4

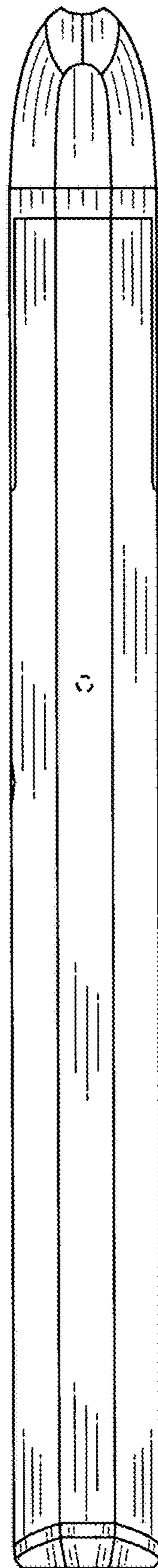


FIG. 5

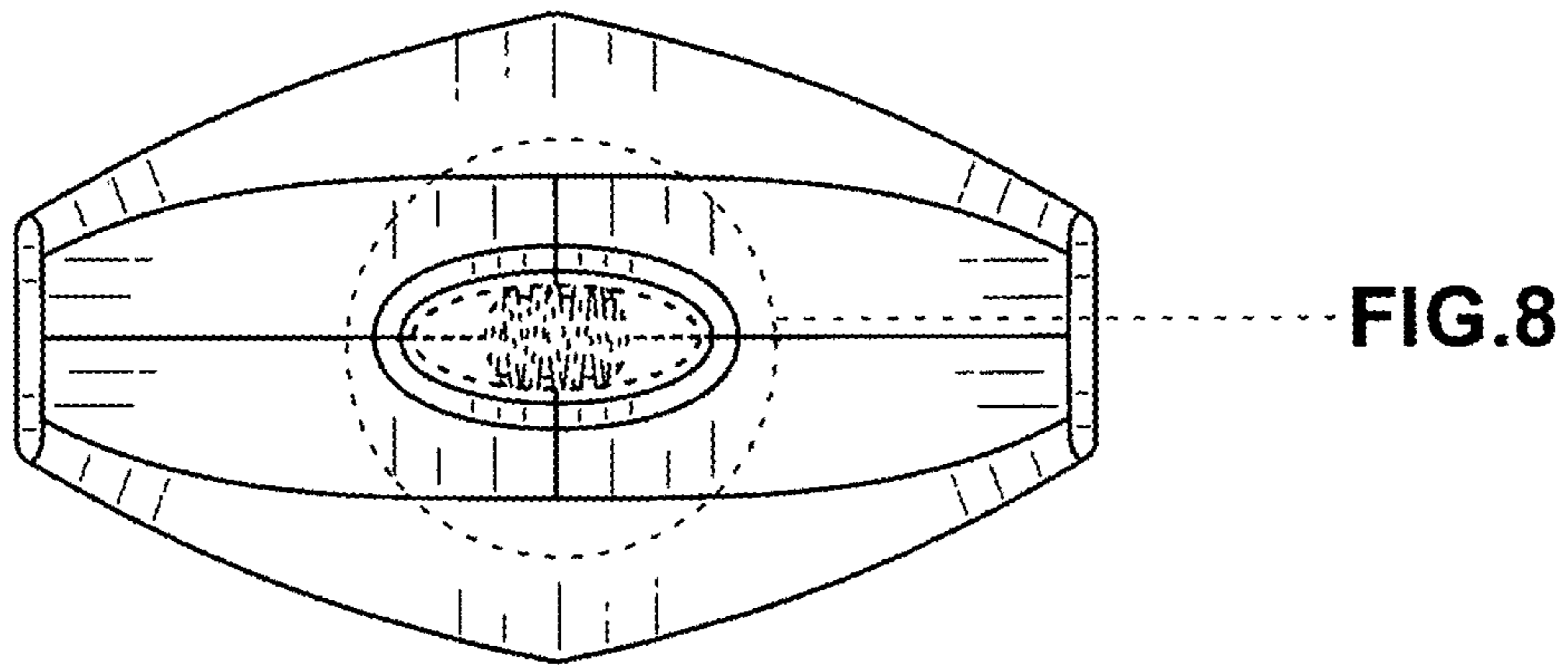


FIG. 6

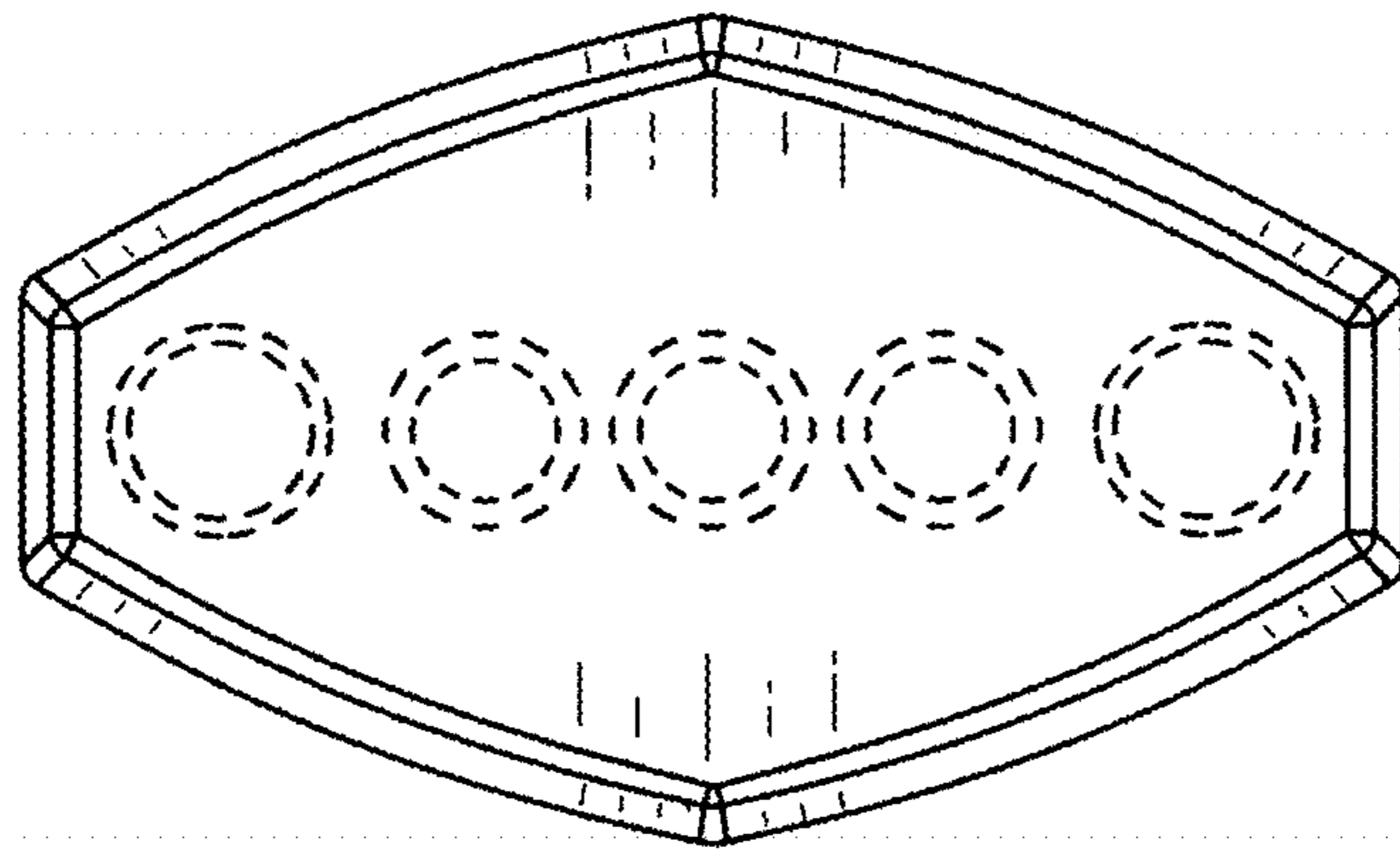


FIG. 7

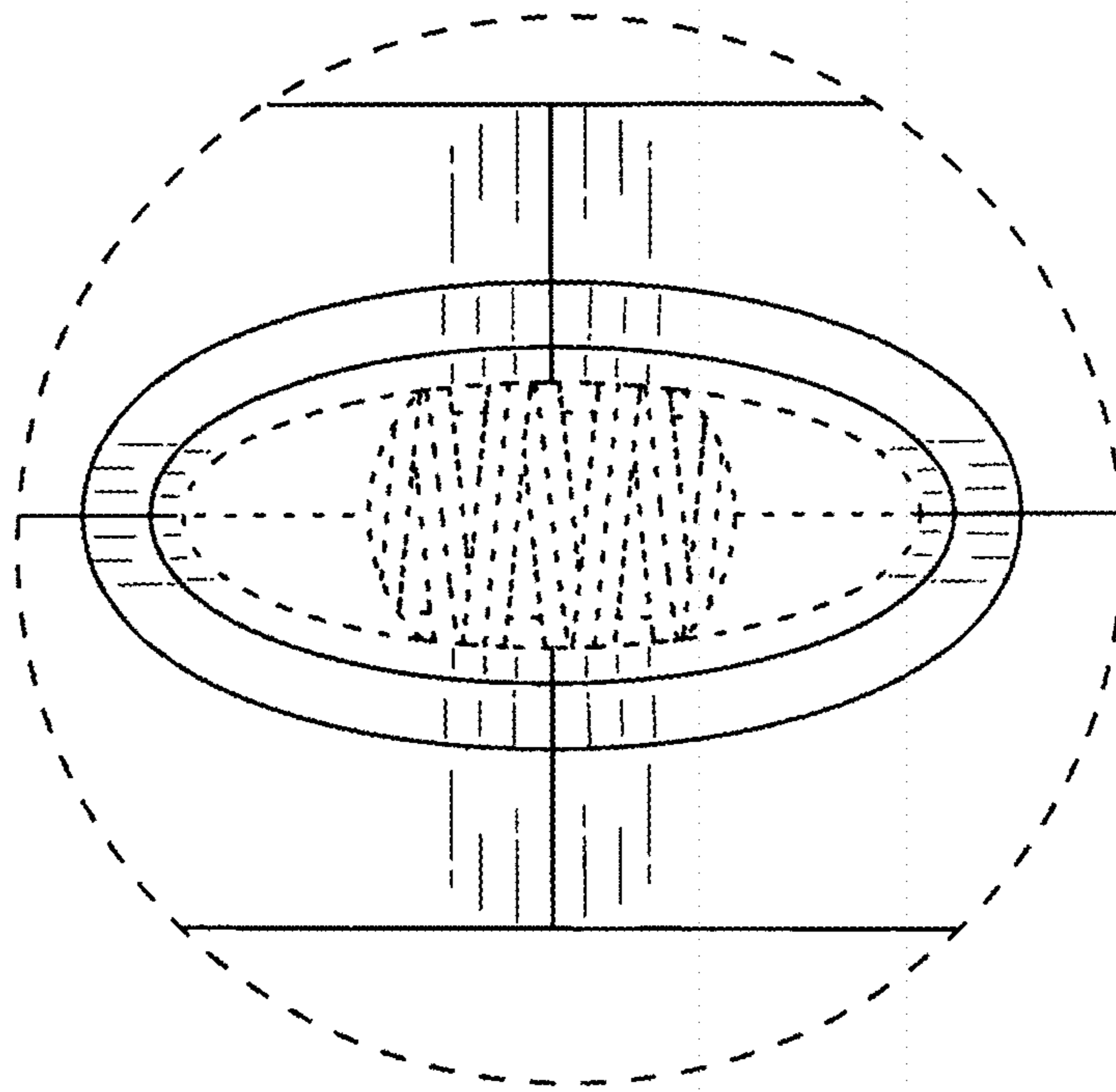


FIG. 8

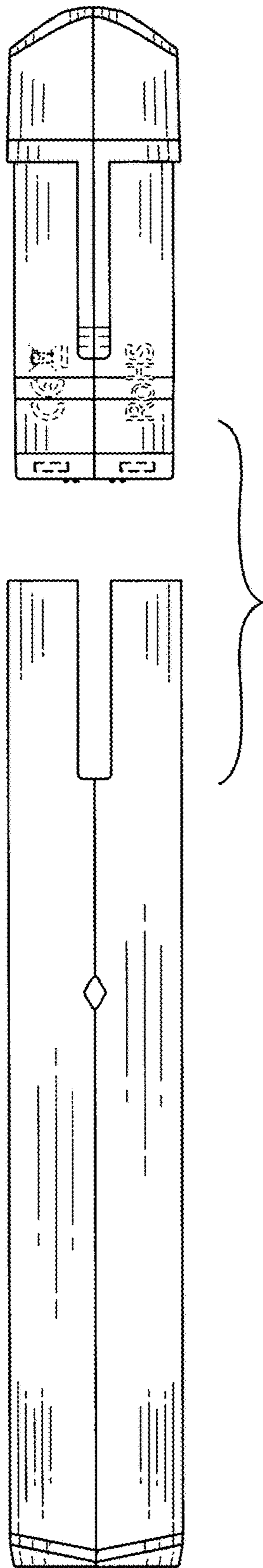


FIG. 9