



US00D897588S

(12) **United States Design Patent**
Liu

(10) **Patent No.:** **US D897,588 S**

(45) **Date of Patent:** **** Sep. 29, 2020**

(54) **SOLAR LIGHT**

D875,992 S * 2/2020 Khubani D26/85
D879,352 S * 3/2020 Liu D26/85
D882,148 S * 4/2020 He D26/85

(71) Applicant: **Shenzhen Much Technology Co., Ltd.**,
Shenzhen, Guangdong (CN)

* cited by examiner

(72) Inventor: **Zengshou Liu**, Shenzhen (CN)

Primary Examiner — Kevin K Rudzinski

(73) Assignee: **Shenzhen Much Technology Co., LTD.**, Shenzhen, Guangdong (CN)

Assistant Examiner — Richard Kearney

(**) Term: **15 Years**

(74) *Attorney, Agent, or Firm* — Raymond Y. Chan;
David and Raymond Patent Firm

(21) Appl. No.: **29/690,538**

(22) Filed: **May 8, 2019**

(57) **CLAIM**

(30) **Foreign Application Priority Data**

The ornamental design for a solar light, as shown and described.

Mar. 26, 2019 (CN) 2019 3 0128652

(51) **LOC (12) Cl.** **26-05**

(52) **U.S. Cl.**
USPC **D26/85**

(58) **Field of Classification Search**
USPC D10/106.6, 106.8; D26/51, 60, 72, 78,
D26/80, 81, 82, 85, 86, 88
CPC F21S 8/03; F21S 8/003; F21S 8/036; F21S
8/037; F21S 9/022; F21S 9/024; F21S
9/03; F21S 9/037; F21S 13/02; F21S
13/10; F21S 13/14; F21W 2131/107;
G08B 13/193

DESCRIPTION

See application file for complete search history.

FIG. 1 is a perspective view of a solar light showing my new design;
FIG. 2 is a front view thereof;
FIG. 3 is a rear view thereof;
FIG. 4 is a left view thereof;
FIG. 5 is a right view thereof;
FIG. 6 is a top view thereof; and,
FIG. 7 is a bottom view thereof.

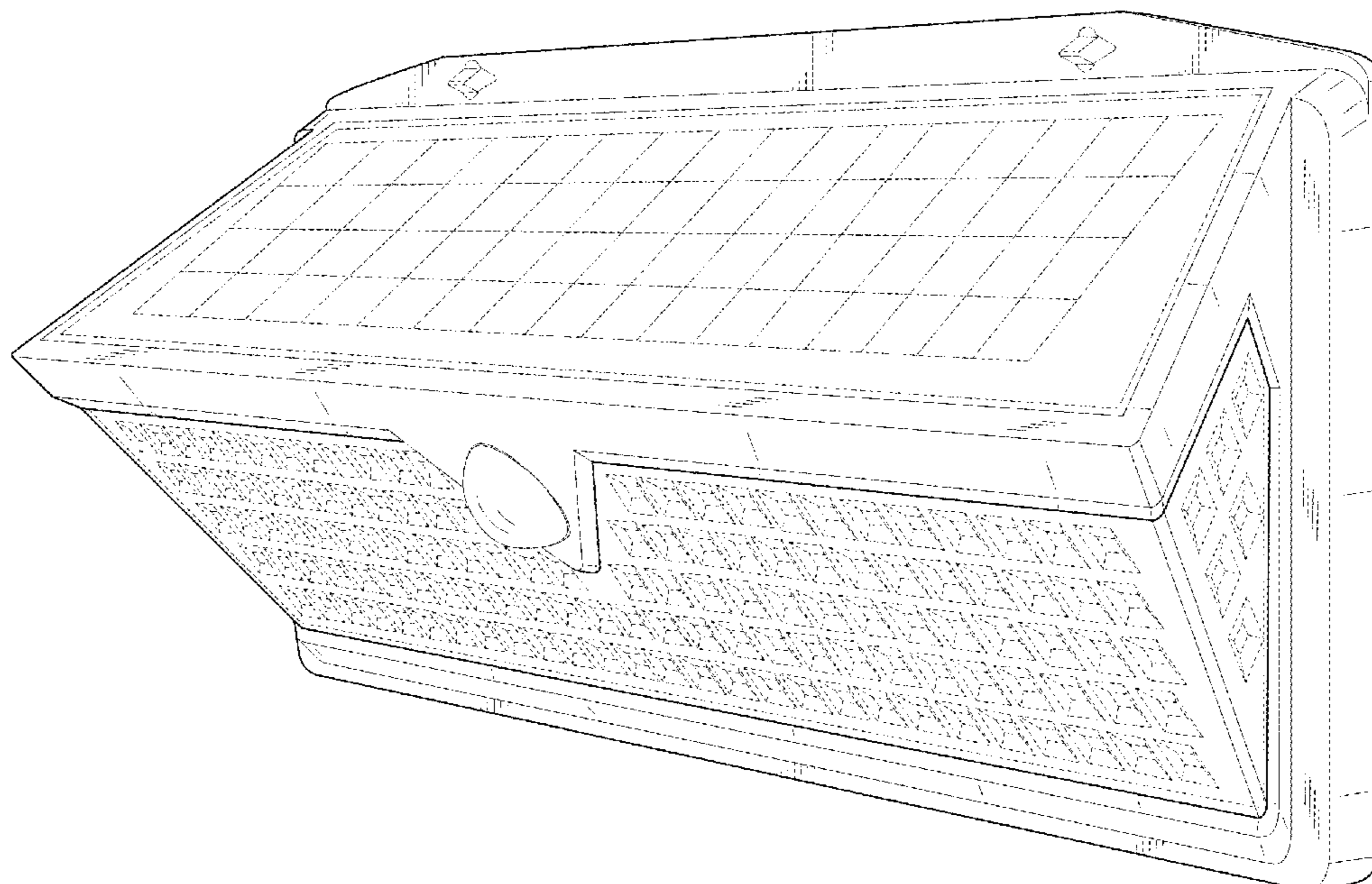
(56) **References Cited**

The broken lines shown in the drawings illustrate portions of the article and form no part of the claimed design.

U.S. PATENT DOCUMENTS

D816,259 S * 4/2018 Liu D26/85
D836,816 S * 12/2018 Liu D26/85
D841,864 S * 2/2019 Liu D26/85
D864,460 S * 10/2019 Hu D26/85

1 Claim, 7 Drawing Sheets



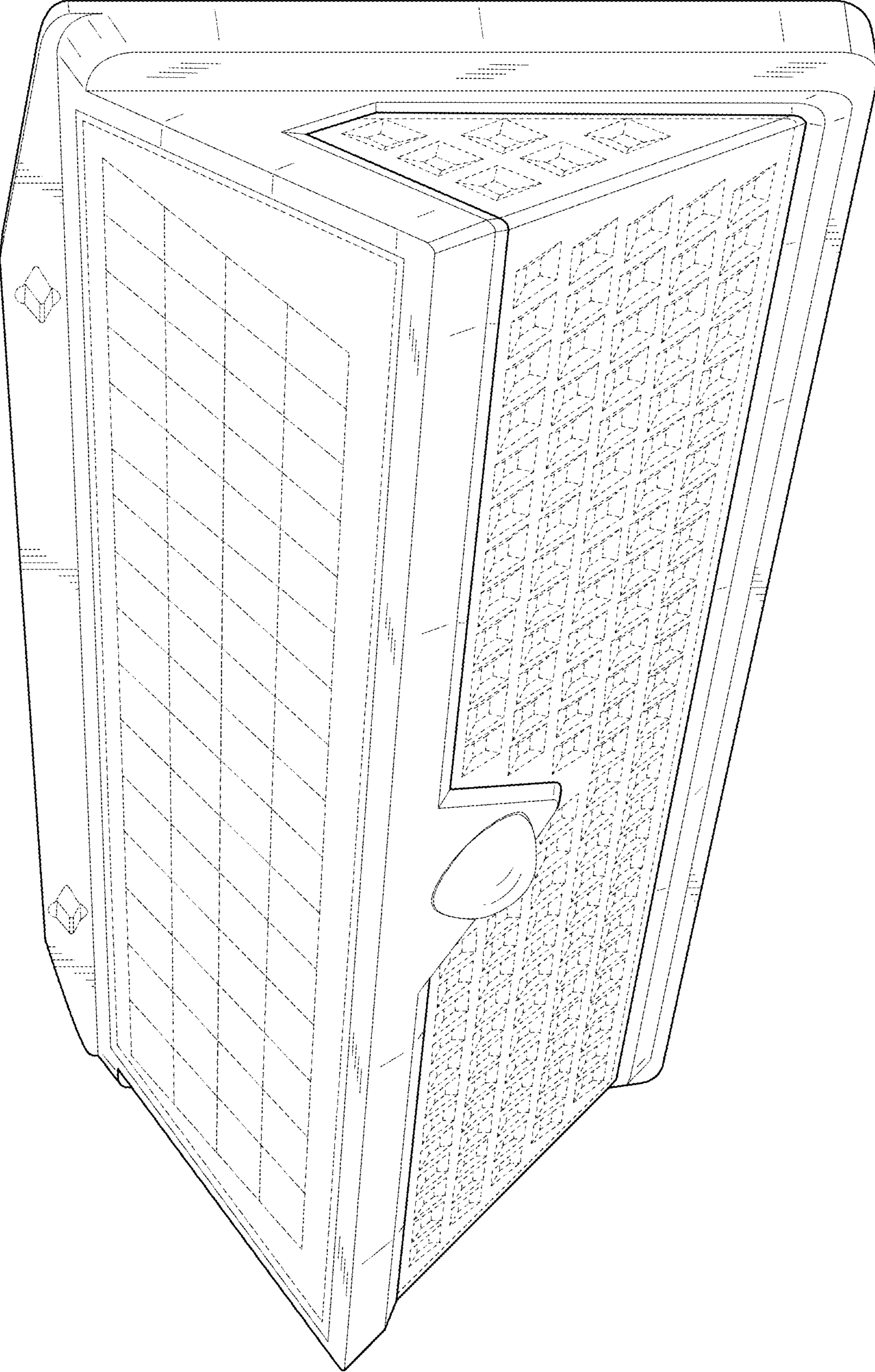


FIG.1

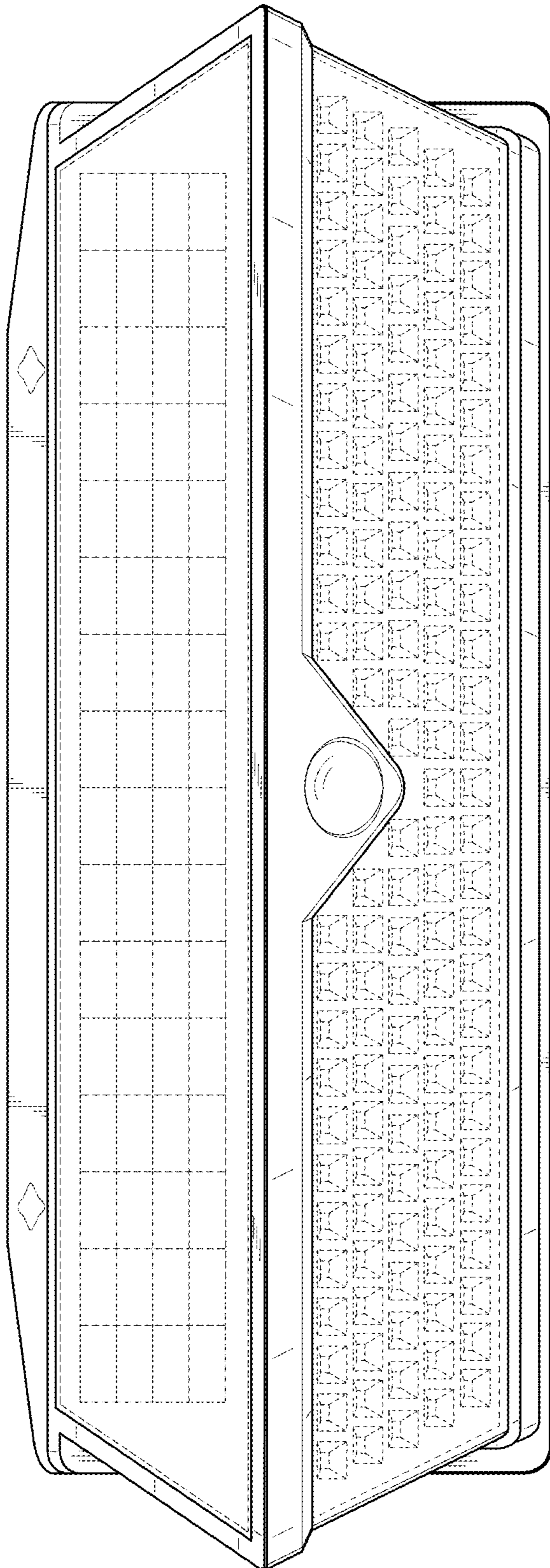


FIG.2

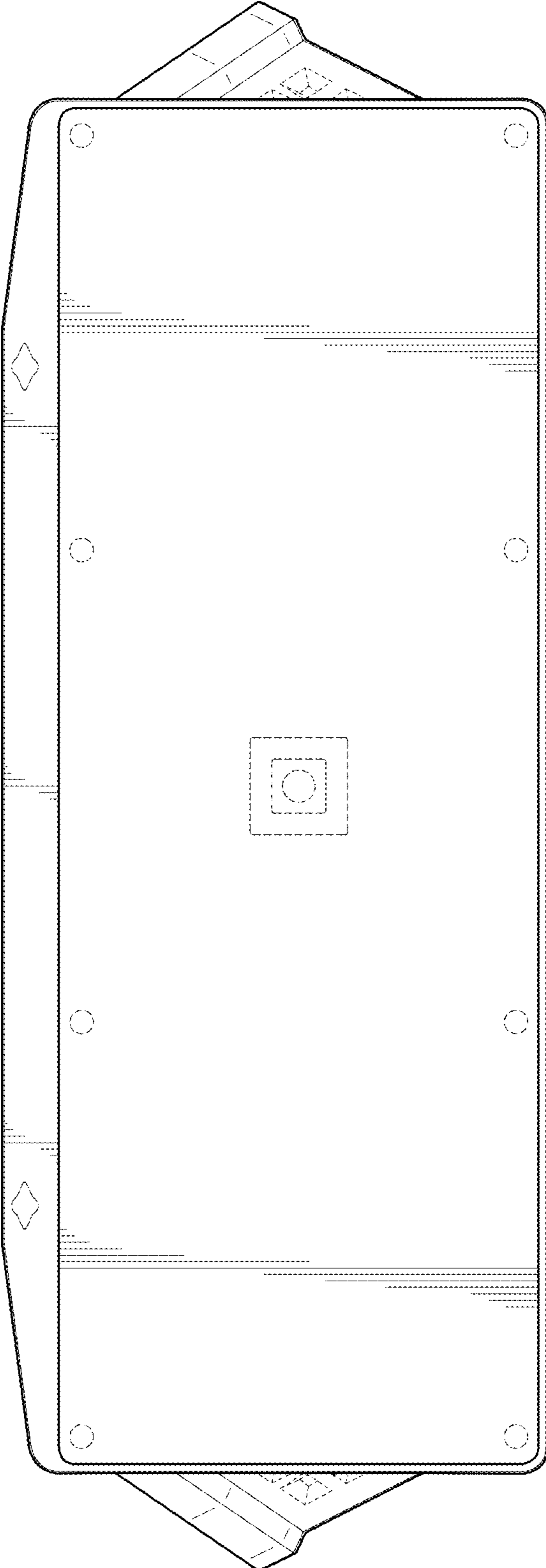


FIG.3

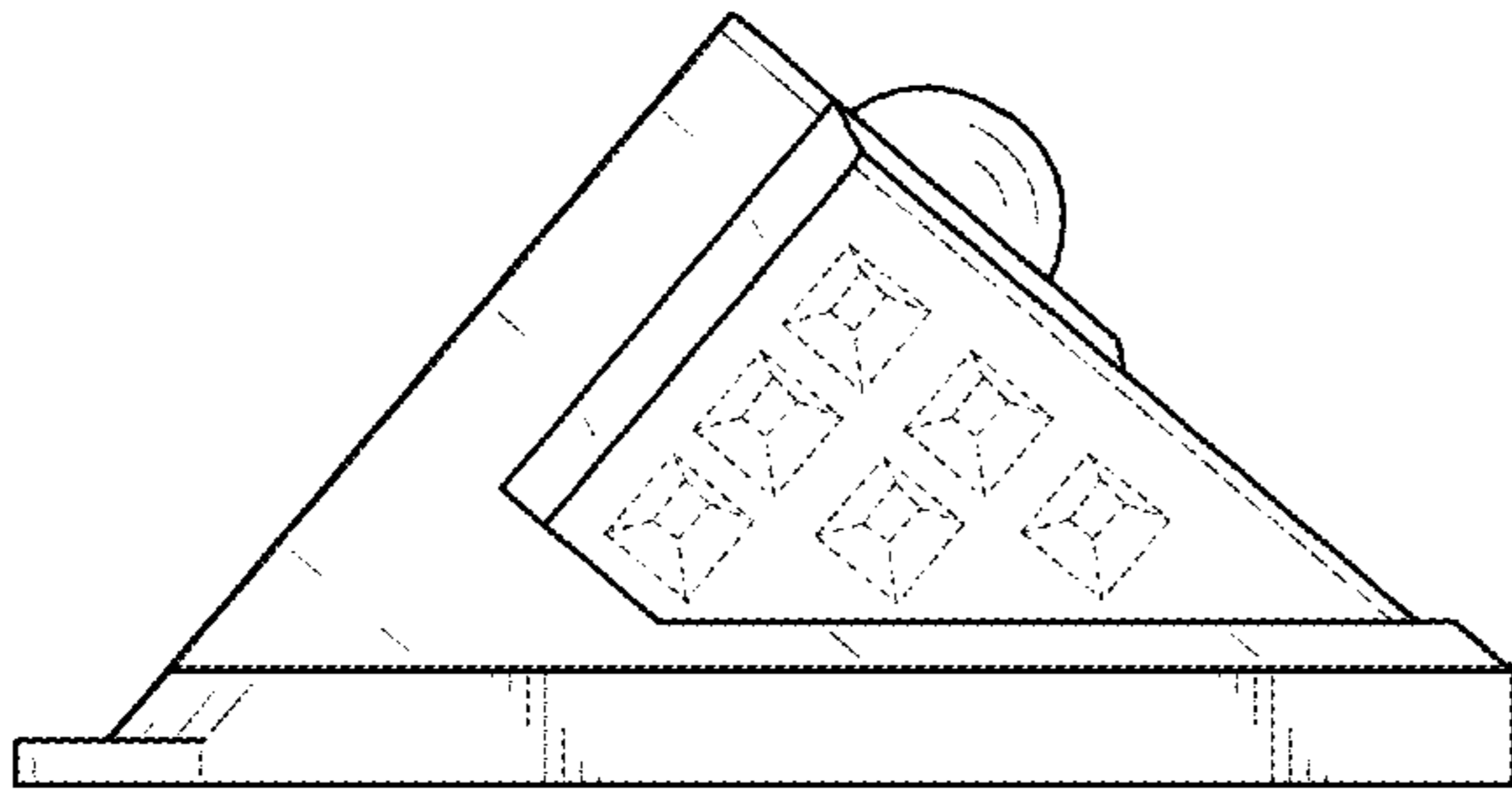


FIG.4

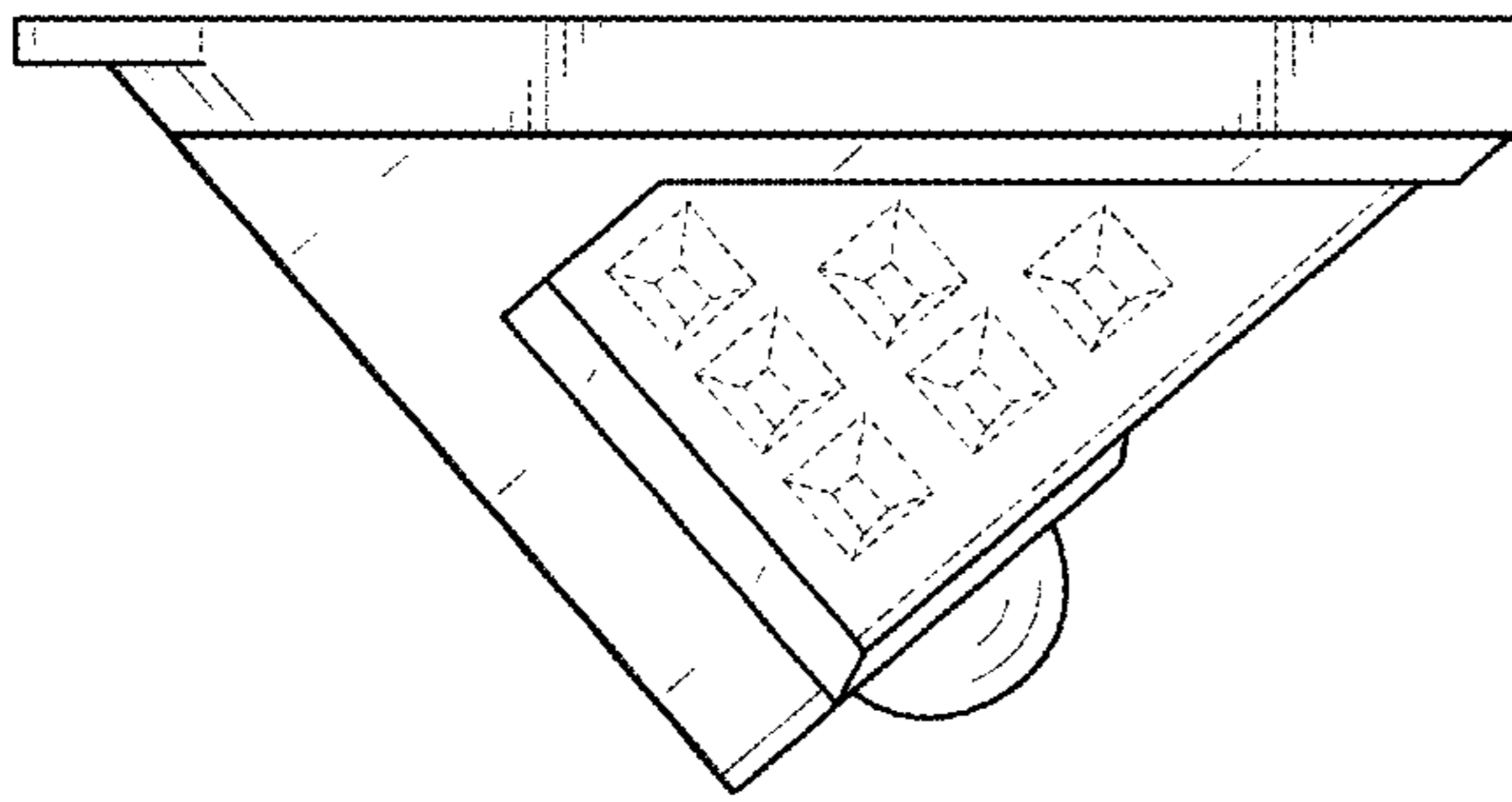


FIG.5

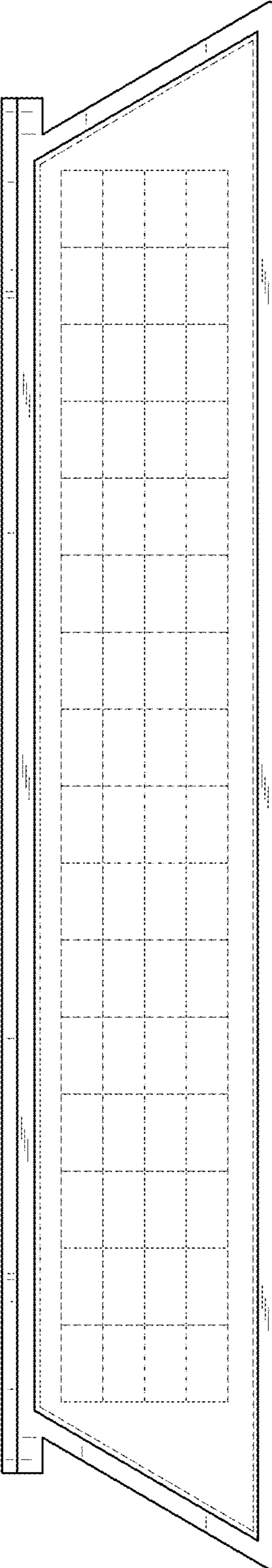


FIG.6

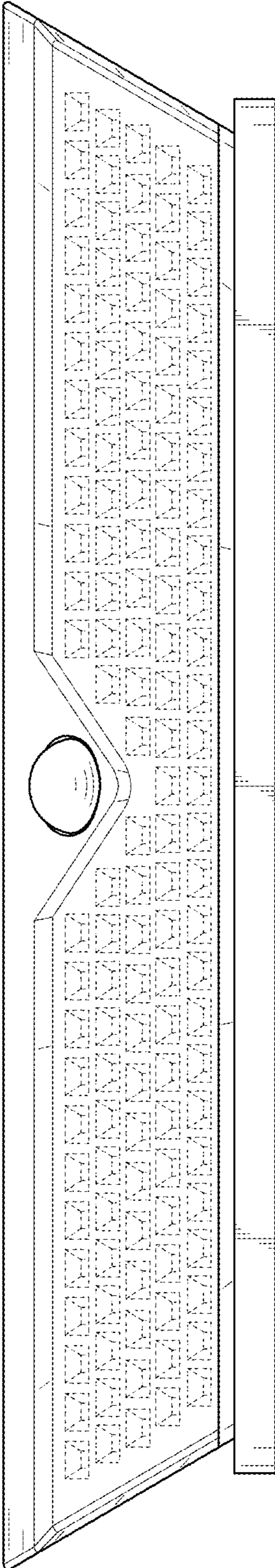


FIG.7