



US00D897585S

(12) **United States Design Patent**
Luo et al.

(10) **Patent No.:** **US D897,585 S**

(45) **Date of Patent:** **** Sep. 29, 2020**

(54) **PROJECTION LAMP**

(71) Applicant: **DONGGUAN LAYSION LIGHTING TECHNOLOGY CO., LTD.**,
Dongguan (CN)

(72) Inventors: **Yizhi Luo**, Dongguan (CN); **Yajun Zhang**, Dongguan (CN)

(73) Assignee: **DONGGUAN LAYSION LIGHTING TECHNOLOGY CO., LTD.**,
Dongguan (CN)

(**) Term: **15 Years**

(21) Appl. No.: **29/678,429**

(22) Filed: **Jan. 29, 2019**

(51) **LOC (12) Cl.** **26-03**

(52) **U.S. Cl.**
USPC **D26/65**

(58) **Field of Classification Search**
USPC D26/60-66, 72, 86, 102, 85, 87, 92
CPC F21Y 2103/002; F21Y 2101/02; F21S
10/00; F21V 21/30; F21V 14/02; F21V
21/00
See application file for complete search history.

(56) **References Cited**

U.S. PATENT DOCUMENTS

D645,184 S * 9/2011 Zhan D26/63
D693,397 S * 11/2013 Zhan D26/63

D711,030 S * 8/2014 Zhan D26/65
D711,577 S * 8/2014 Zhan D26/65
D747,526 S * 1/2016 Zhang D26/63
D828,620 S * 9/2018 Moller D26/63

* cited by examiner

Primary Examiner — Brian N. Vinson

(74) *Attorney, Agent, or Firm* — Shimokaji IP

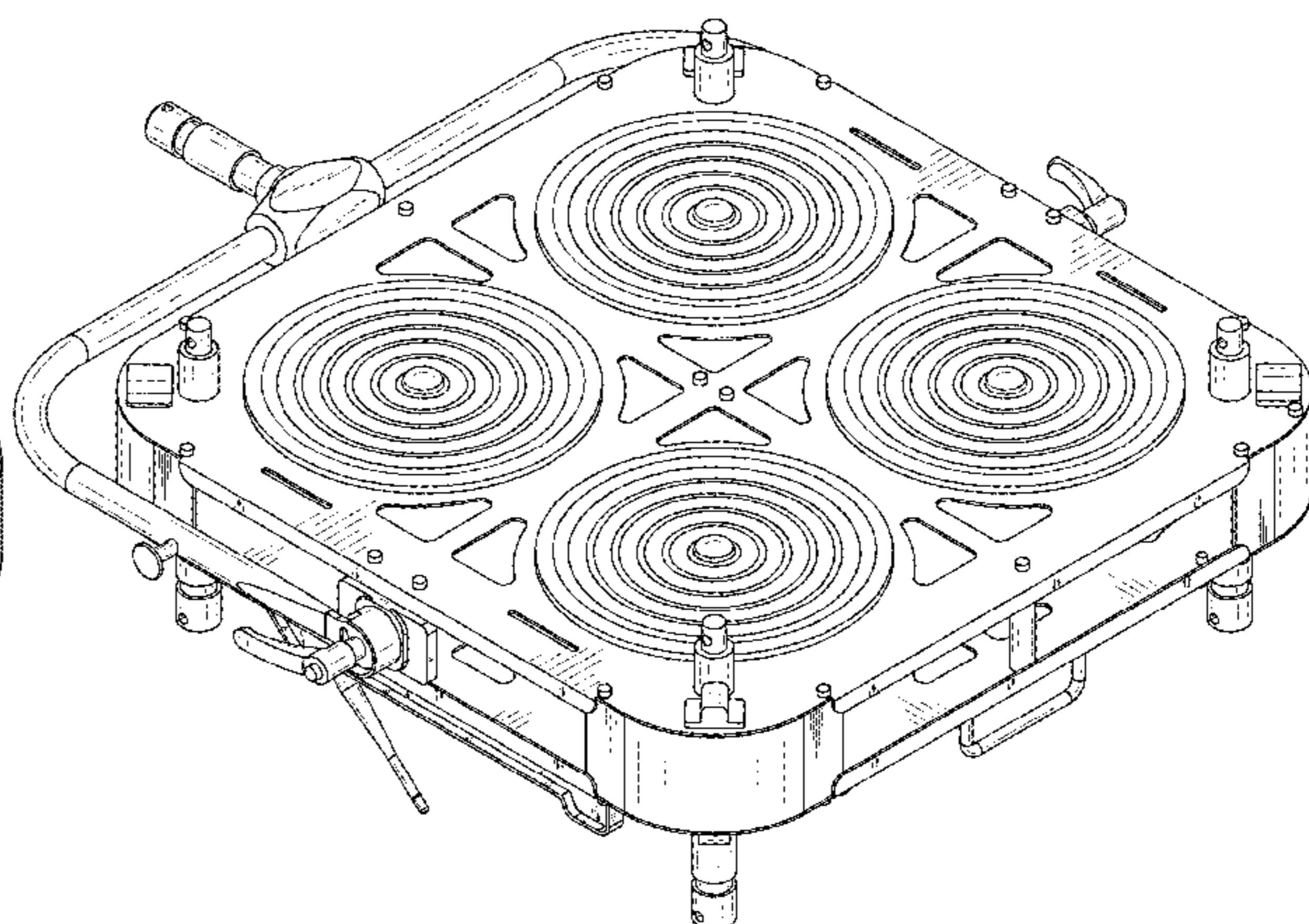
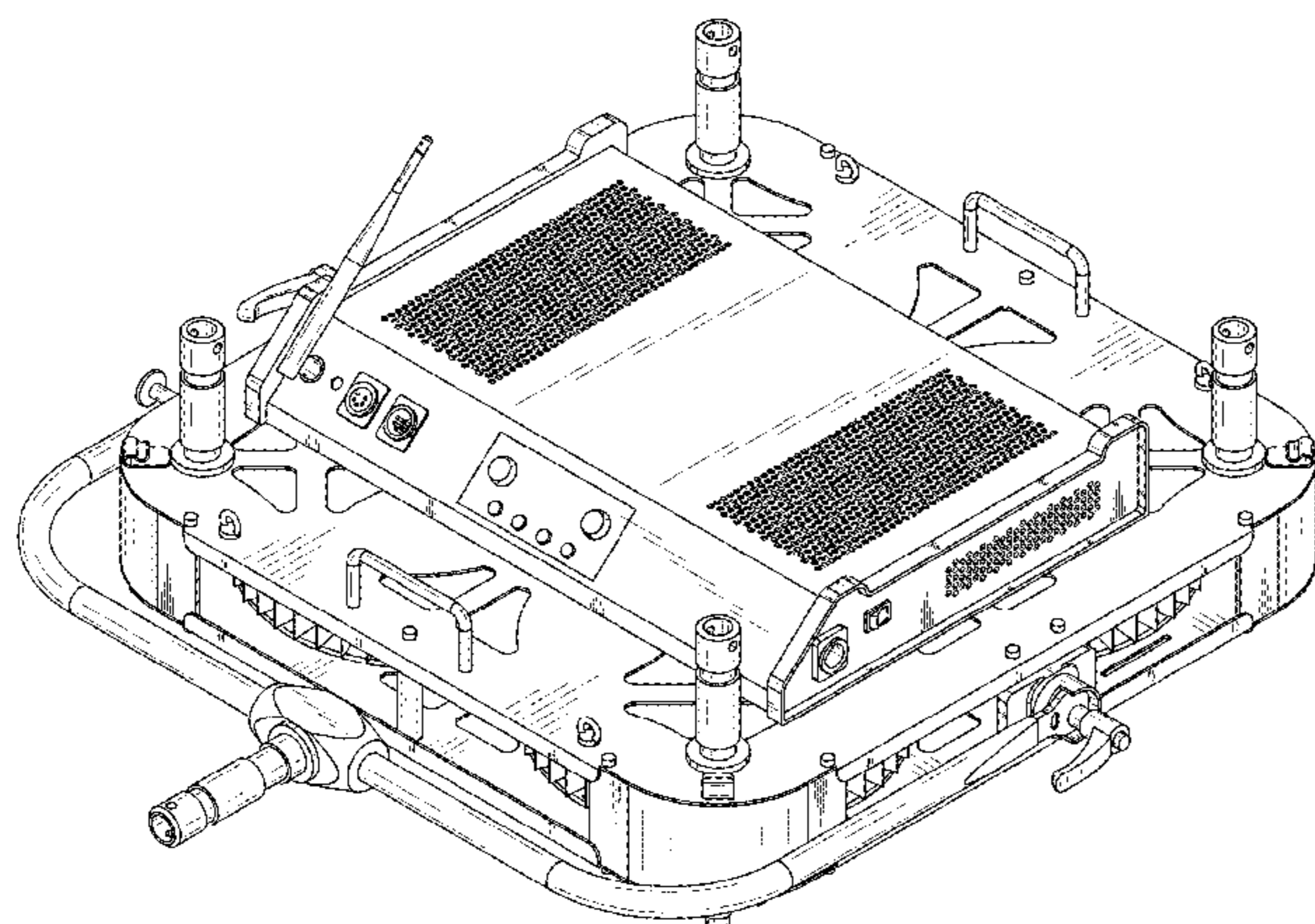
(57) **CLAIM**

The ornamental design for a projection lamp, as shown and described.

DESCRIPTION

FIG. 1 is a front elevation view of a projection lamp showing our design;
FIG. 2 is a rear elevation view thereof;
FIG. 3 is a left side elevation view thereof;
FIG. 4 is a right side elevation view thereof;
FIG. 5 is a top plan view thereof;
FIG. 6 is a bottom plan view thereof;
FIG. 7 is a first perspective view thereof;
FIG. 8 is a second perspective view thereof; and,
FIG. 9 is an exploded view thereof.

1 Claim, 7 Drawing Sheets



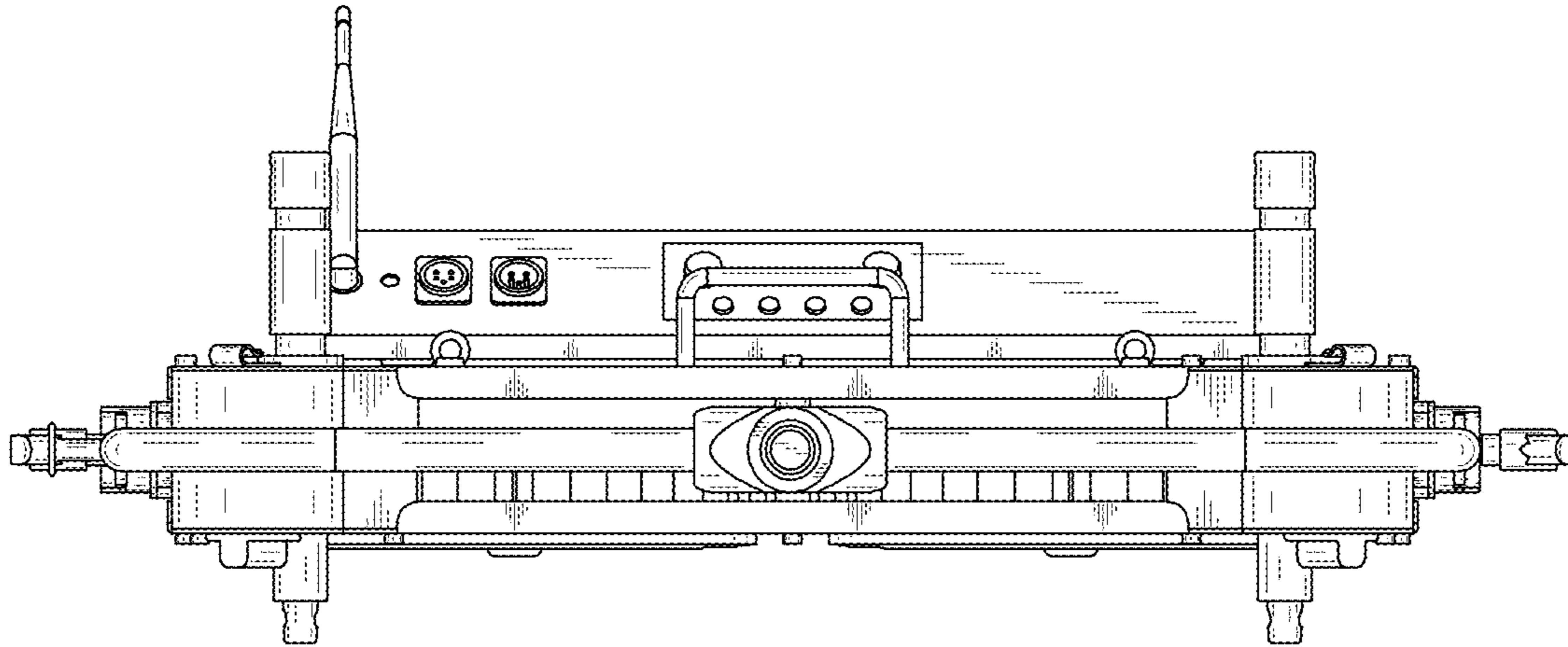


FIG. 1

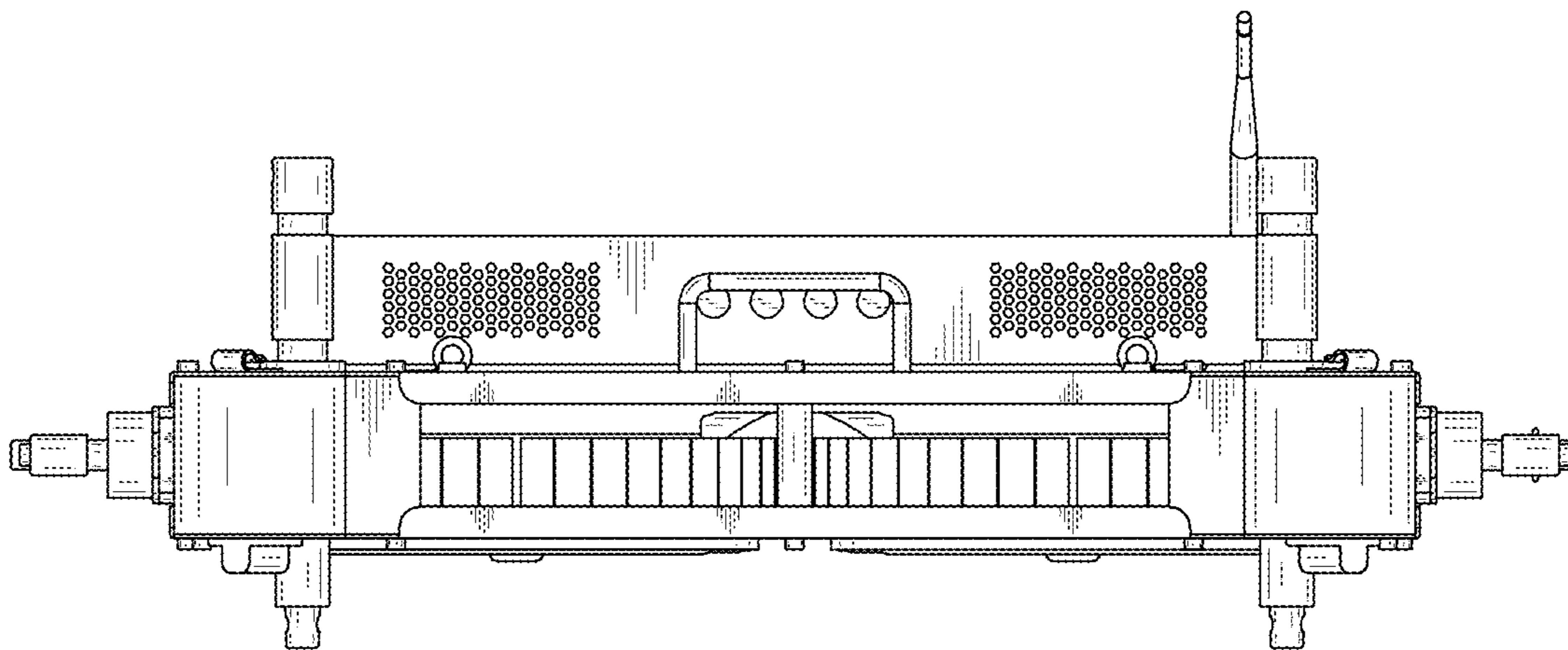


FIG. 2

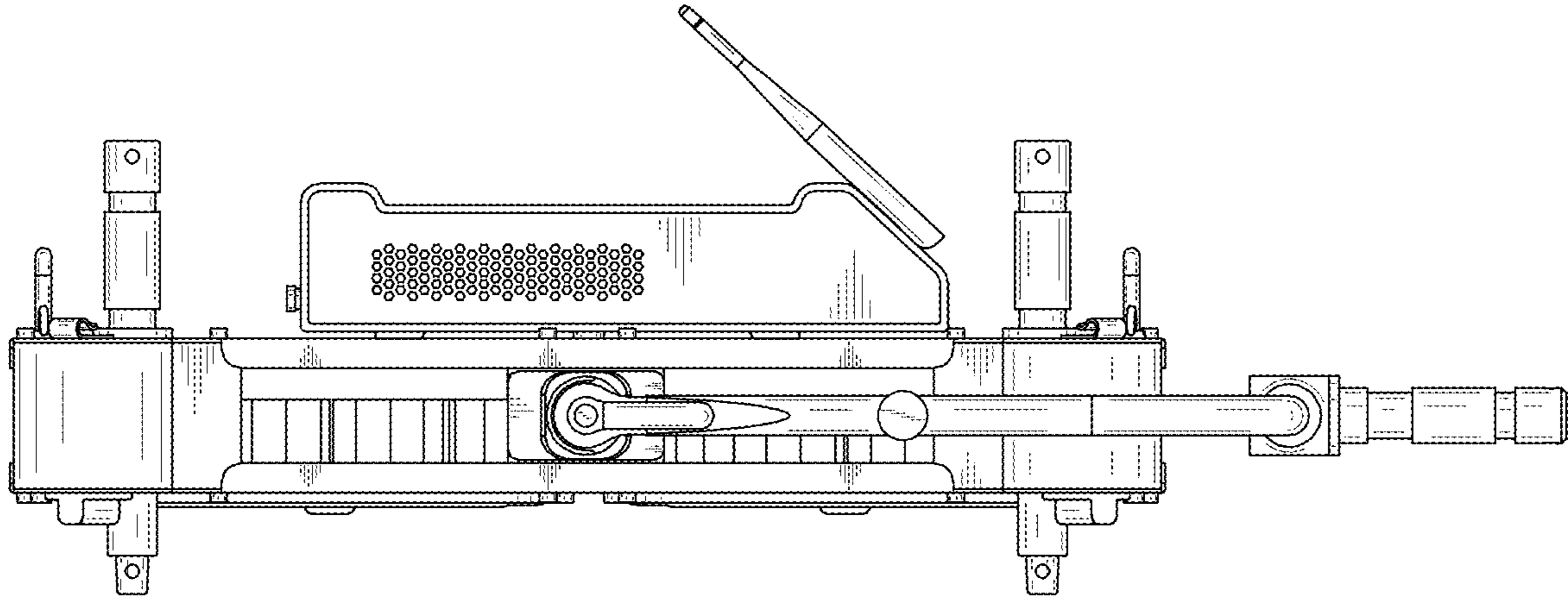


FIG.3

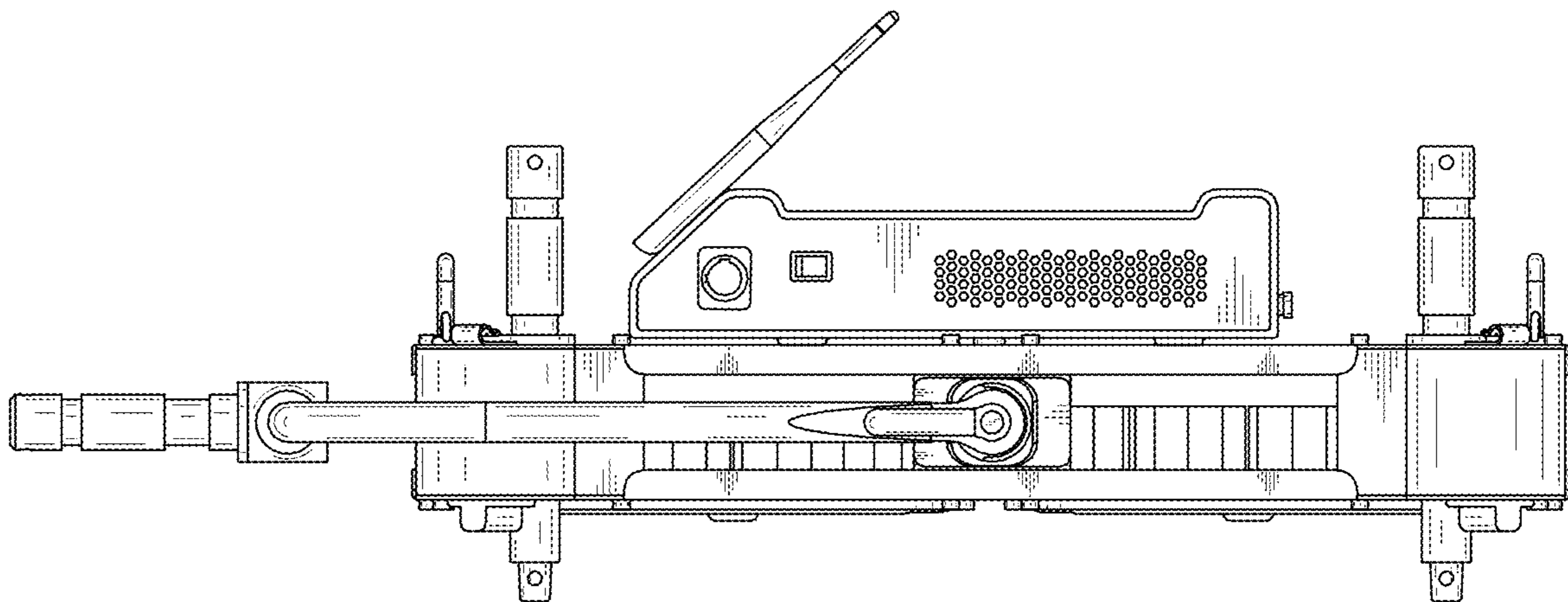


FIG.4

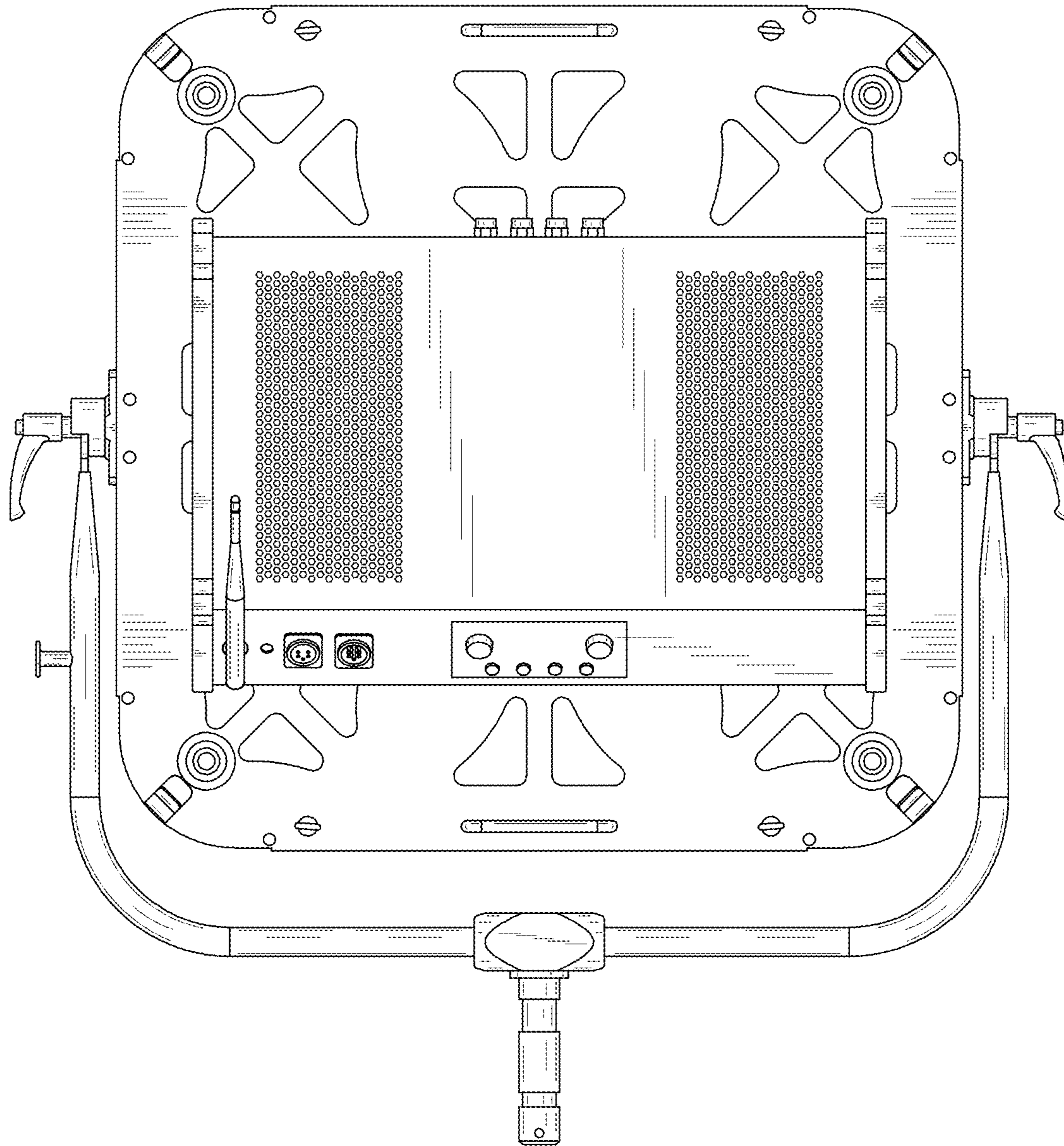


FIG.5

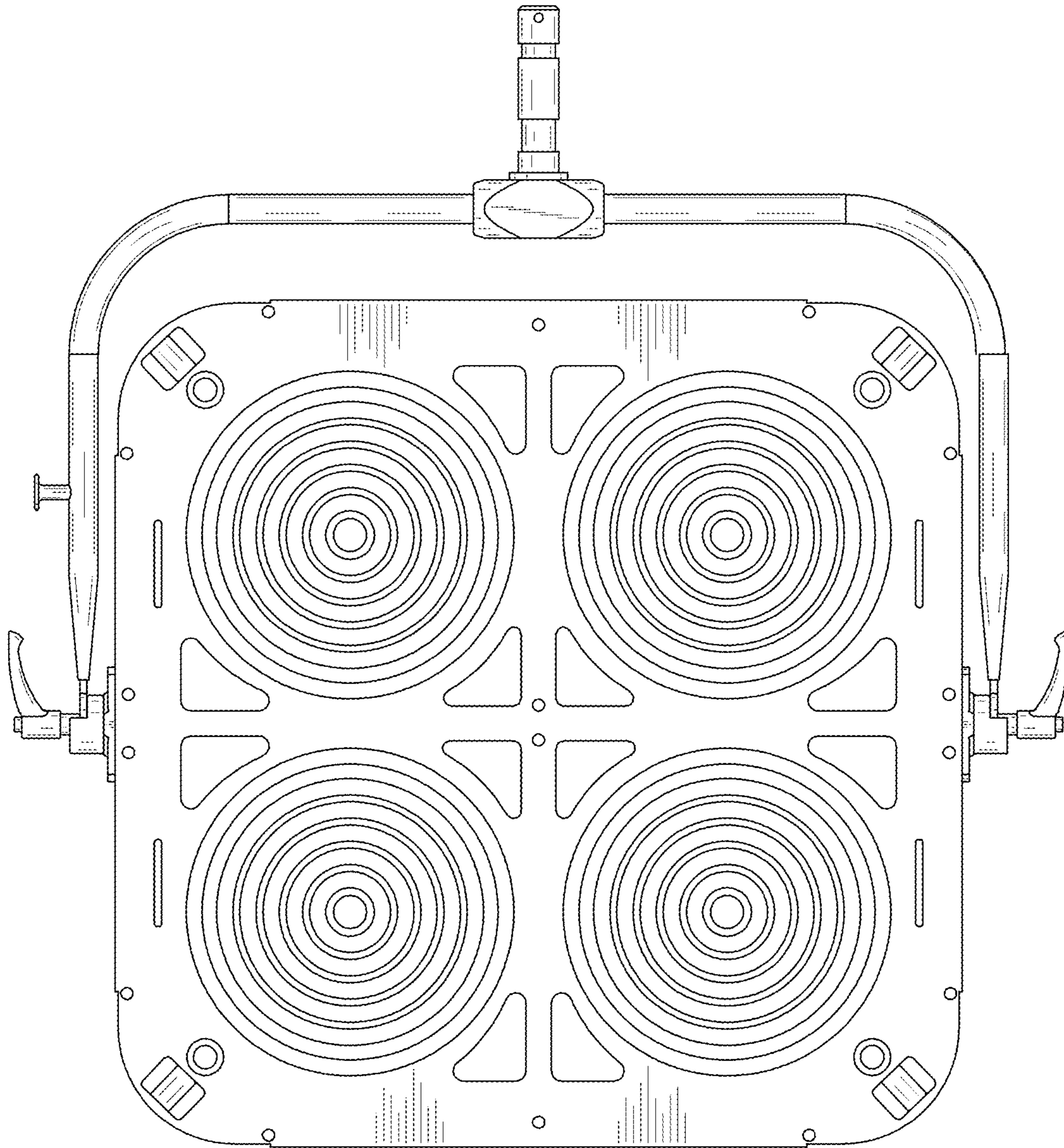


FIG.6

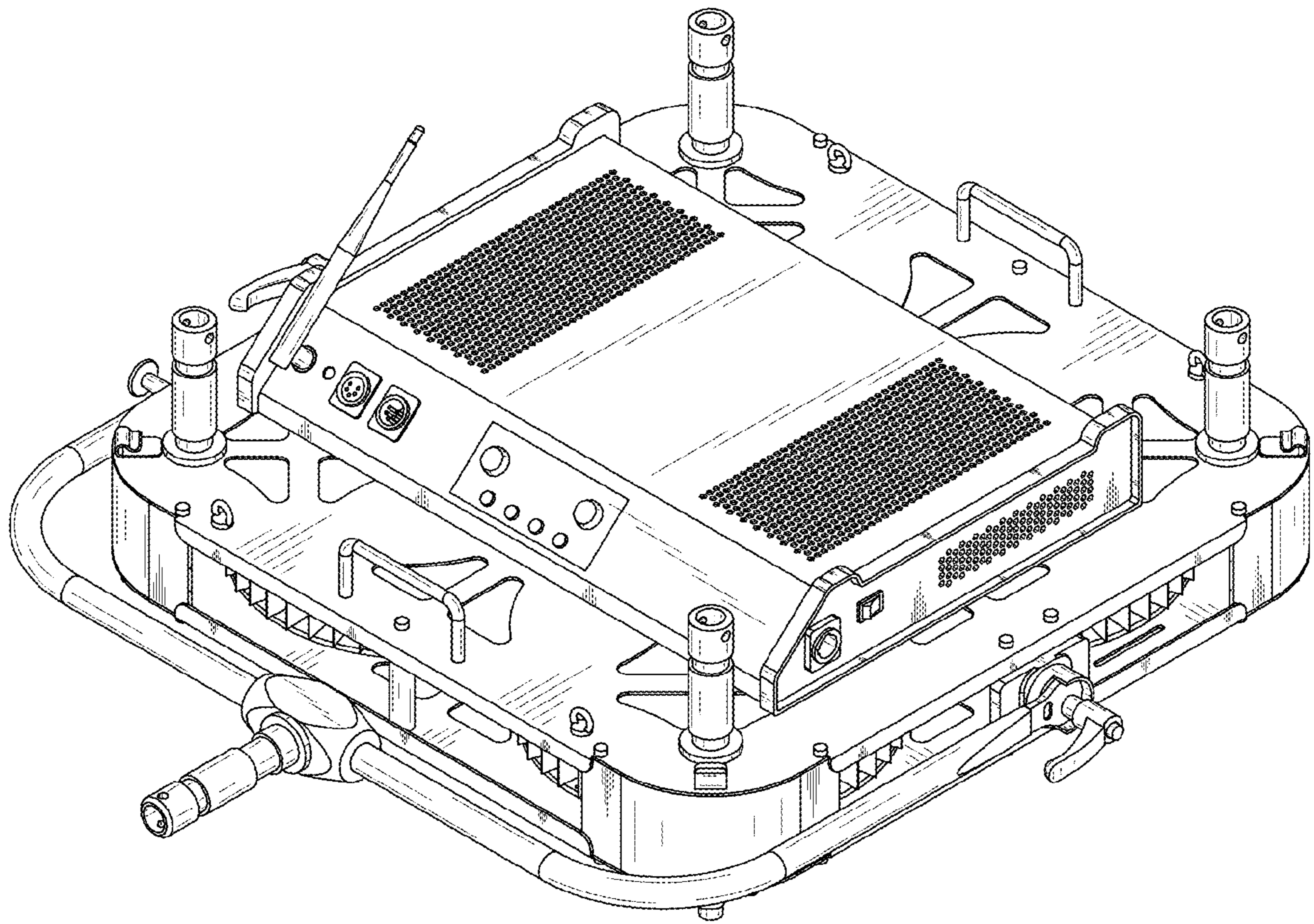


FIG.7

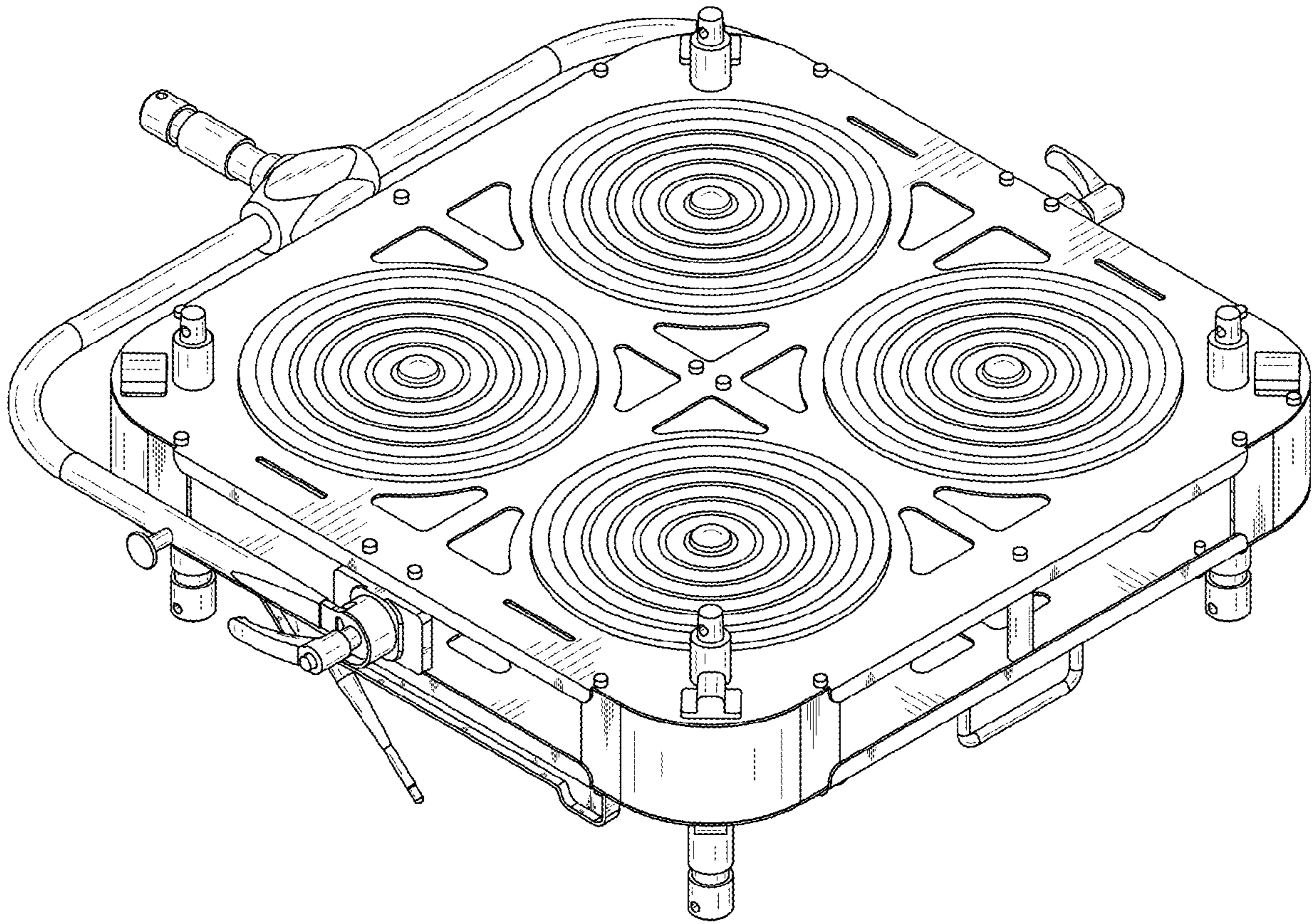


FIG.8

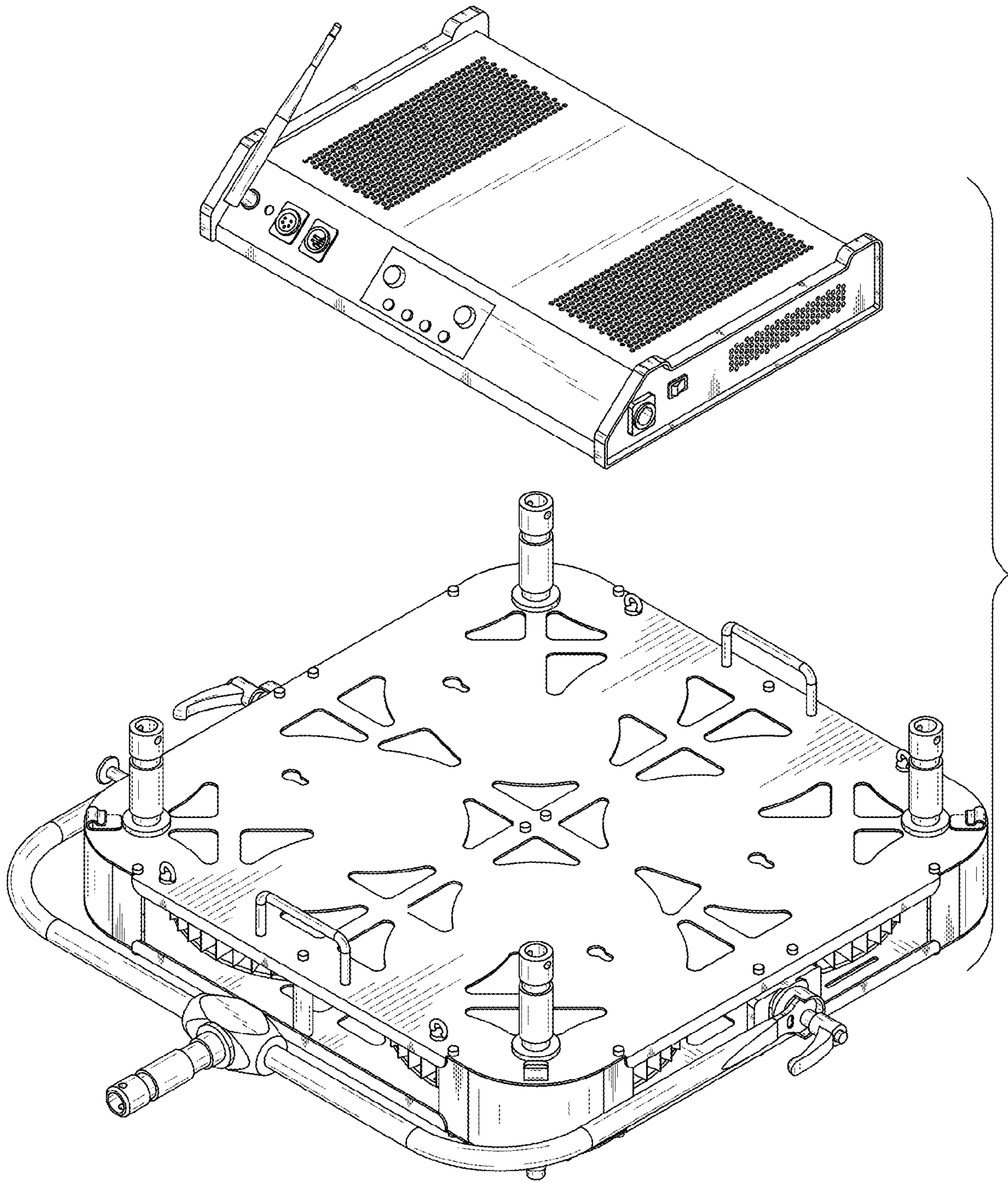


FIG.9