



US00D897584S

(12) **United States Design Patent** (10) **Patent No.:** **US D897,584 S**
McKechnie et al. (45) **Date of Patent:** **** Sep. 29, 2020**

(54) **PORTABLE LIGHT**

(71) Applicant: **Knog Pty Ltd**, Richmond (AU)
 (72) Inventors: **Malcolm McKechnie**, Richmond (AU);
Hugo Davidson, Richmond (AU);
Chris Bilanenko, Richmond (AU)
 (73) Assignee: **Knog Pty Ltd** (AU)

(**) Term: **15 Years**

(21) Appl. No.: **29/671,263**

(22) Filed: **Nov. 26, 2018**

(30) **Foreign Application Priority Data**

May 25, 2018 (AU) 201813142

(51) **LOC (12) Cl.** **26-03**

(52) **U.S. Cl.**
USPC **D26/60**

(58) **Field of Classification Search**
 USPC D26/1, 24, 28, 29, 37, 60, 61, 63, 113,
 D26/119, 138
 CPC B62J 6/00; B62J 6/001; B62J 6/003; B62J
 6/02; B62J 6/04; B62J 6/16; B62J 17/02;
 F21S 4/00; F21S 8/10; F21S 48/00; F21V
 3/00; F21V 15/01; F21V 21/00; F21V
 21/084; F21V 23/00

See application file for complete search history.

(56) **References Cited**

U.S. PATENT DOCUMENTS

D608,037 S *	1/2010	Lee	D26/60
D616,127 S *	5/2010	Taiga	D26/60
D648,470 S *	11/2011	Rains	D26/60
D788,343 S *	5/2017	Sonneman	D26/60
D823,513 S *	7/2018	Iraneta Olcoz	D26/60
D840,079 S *	2/2019	Marshall	D26/60
D857,261 S *	8/2019	Xie	D26/60

* cited by examiner

Primary Examiner — Brian N. Vinson

(74) *Attorney, Agent, or Firm* — Saidman DesignLaw Group, LLC

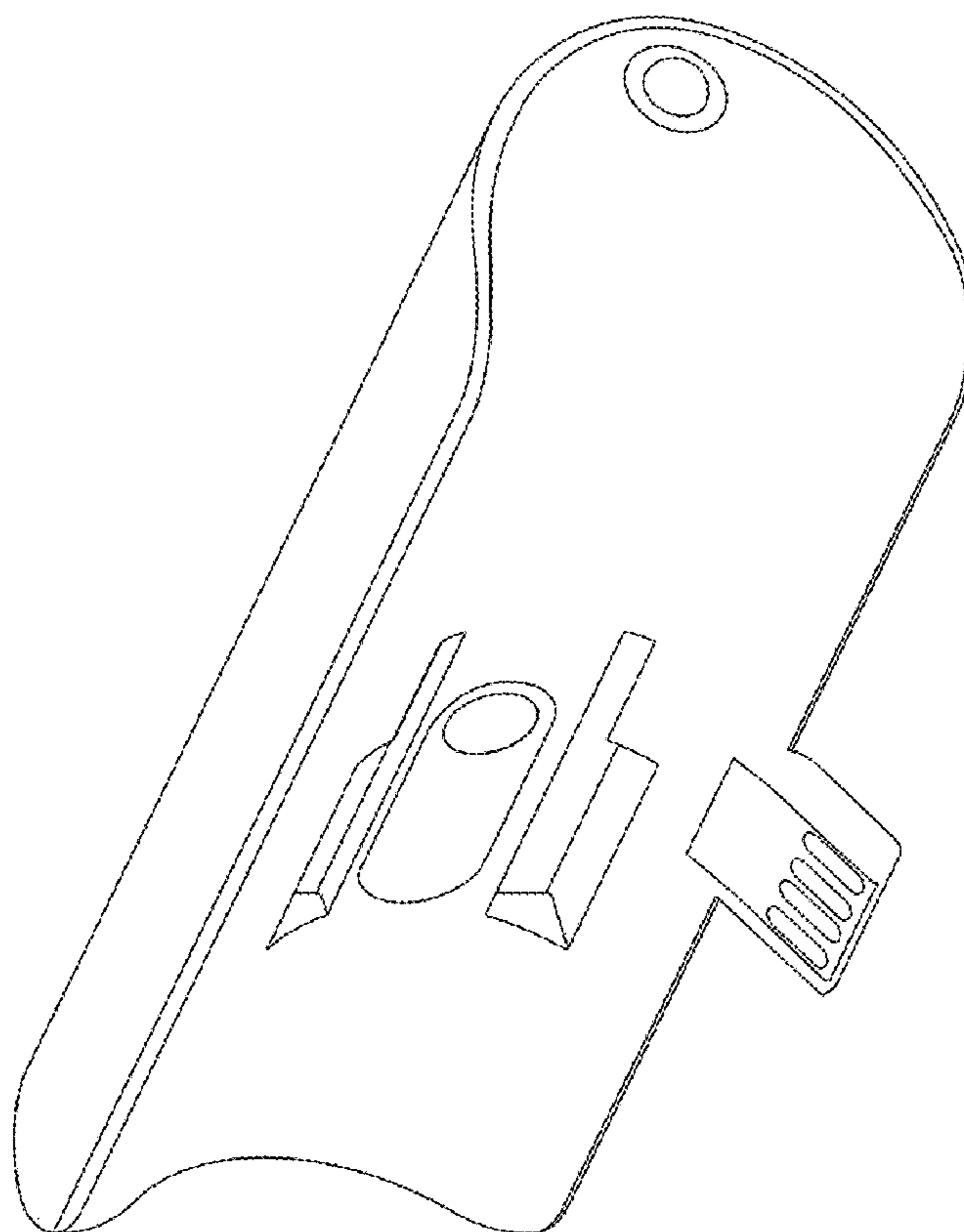
(57) **CLAIM**

The ornamental design for a portable light, as shown and described.

DESCRIPTION

FIG. 1 is a front, bottom perspective view of a portable light showing our new design;
 FIG. 2 is a rear, top perspective view thereof;
 FIG. 3 is a front view thereof;
 FIG. 4 is a rear view thereof;
 FIG. 5 is a top view thereof;
 FIG. 6 is a bottom view thereof; and,
 FIG. 7 is a side view thereof.

1 Claim, 7 Drawing Sheets



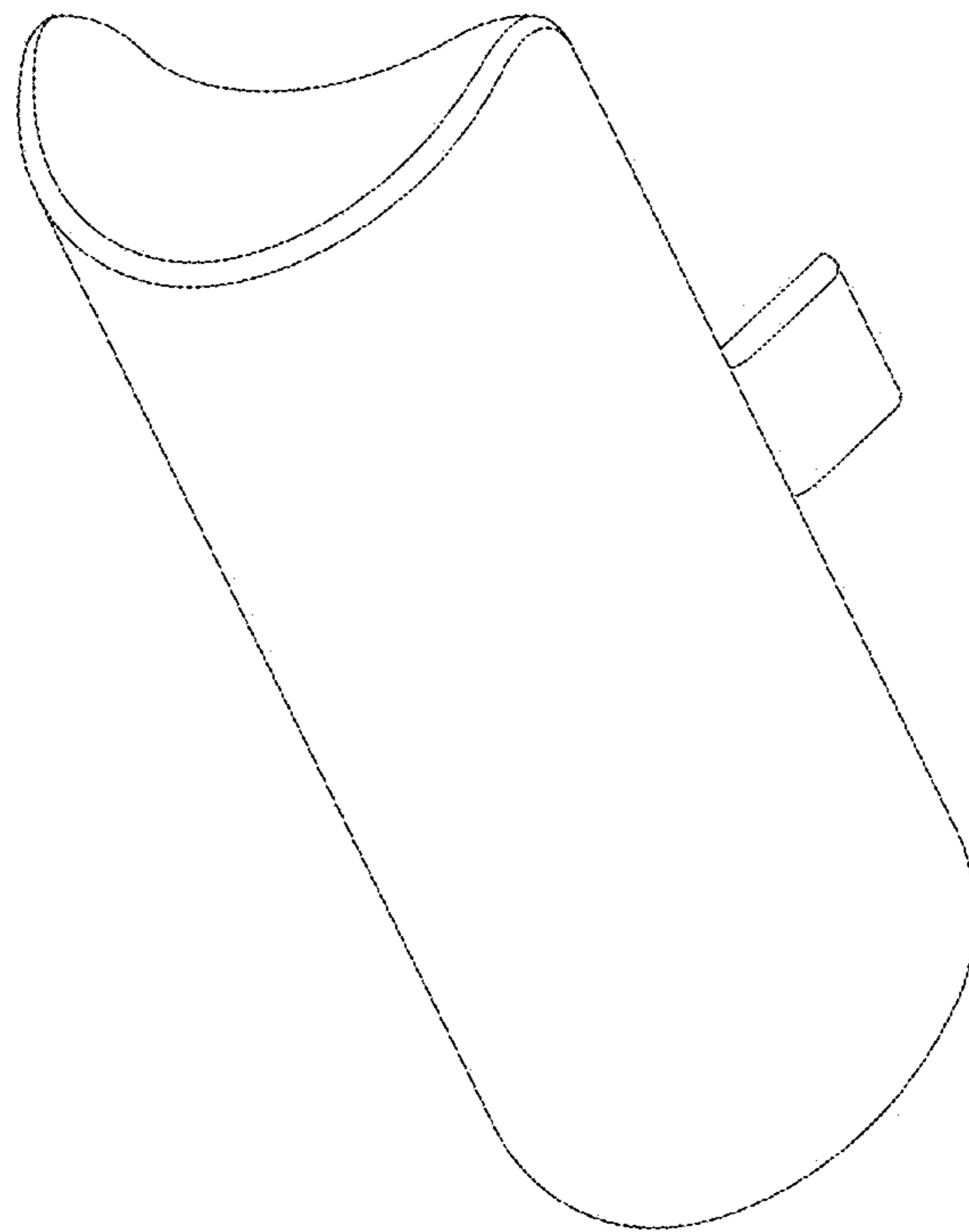


FIG. 1

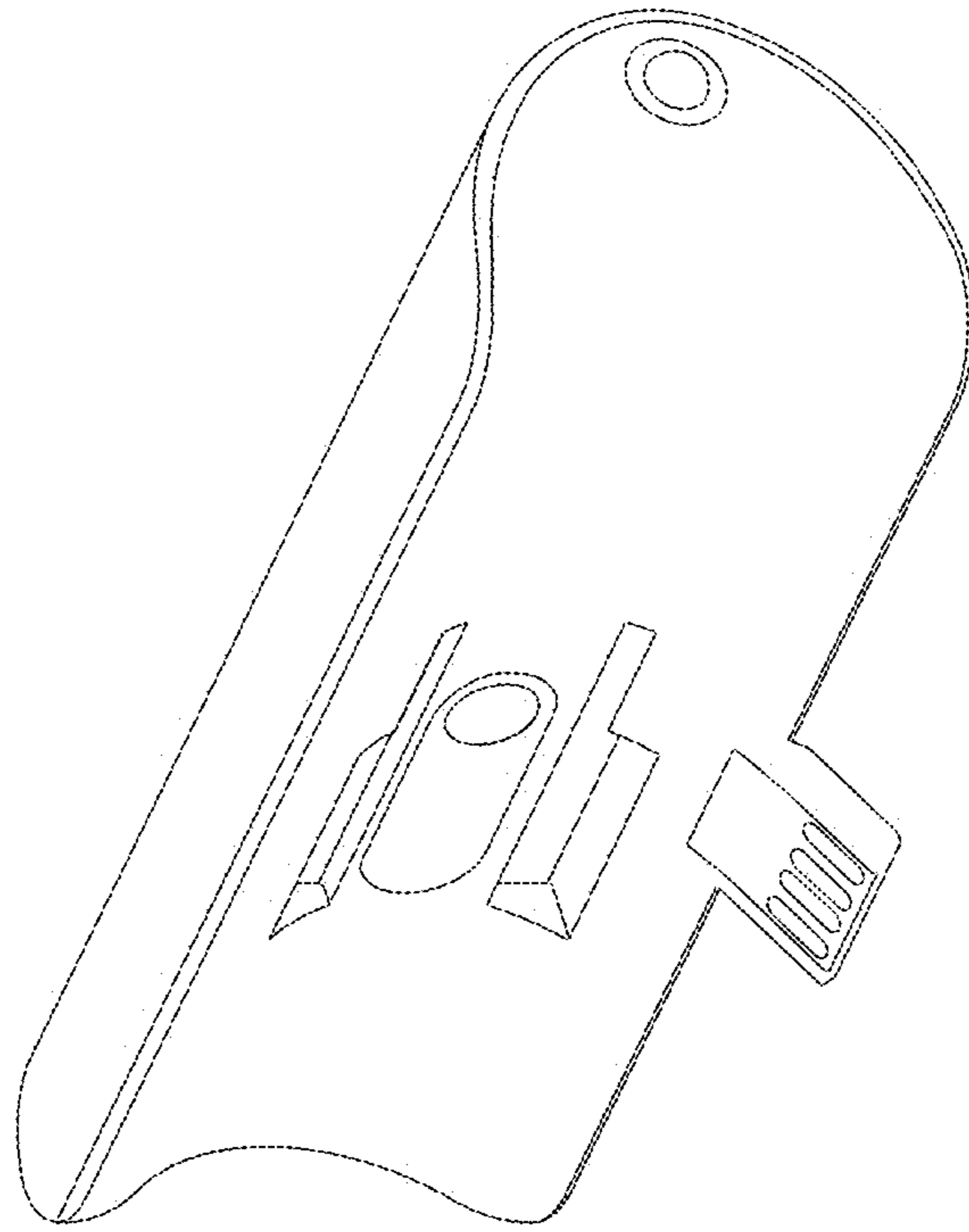


FIG. 2

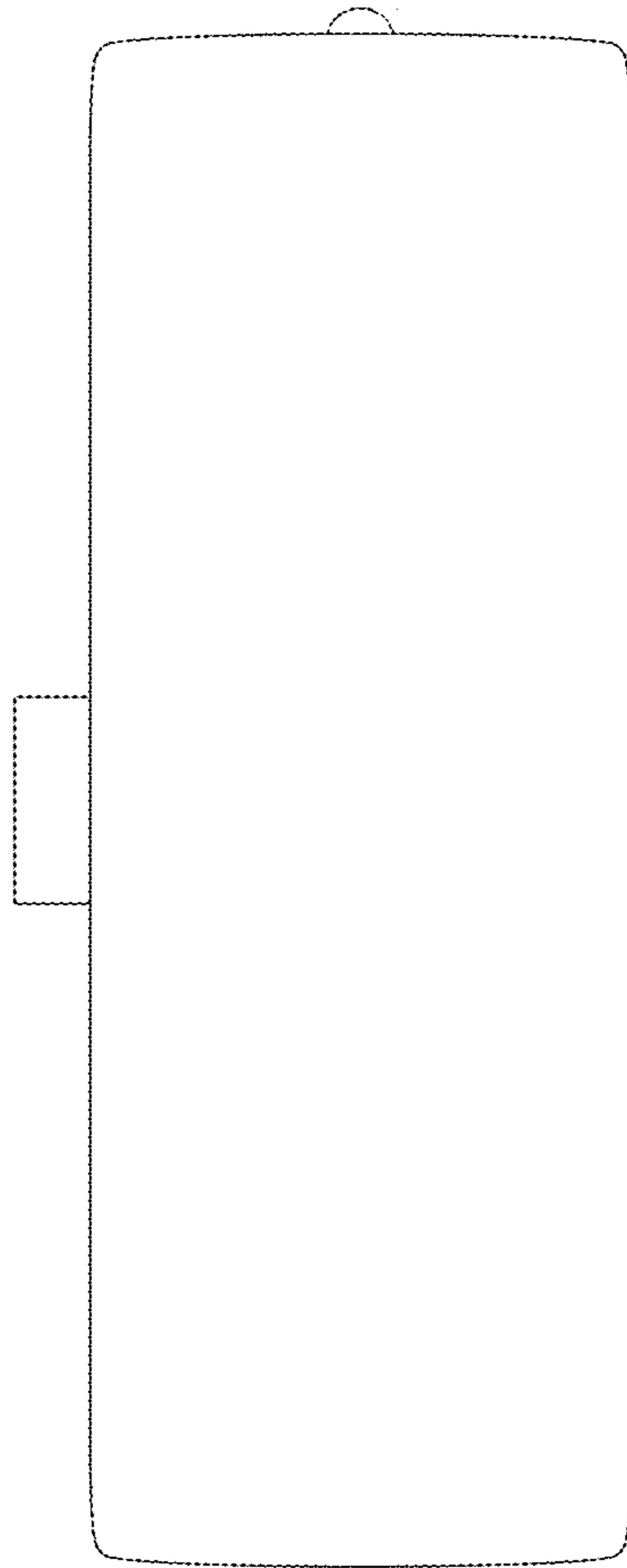


FIG. 3

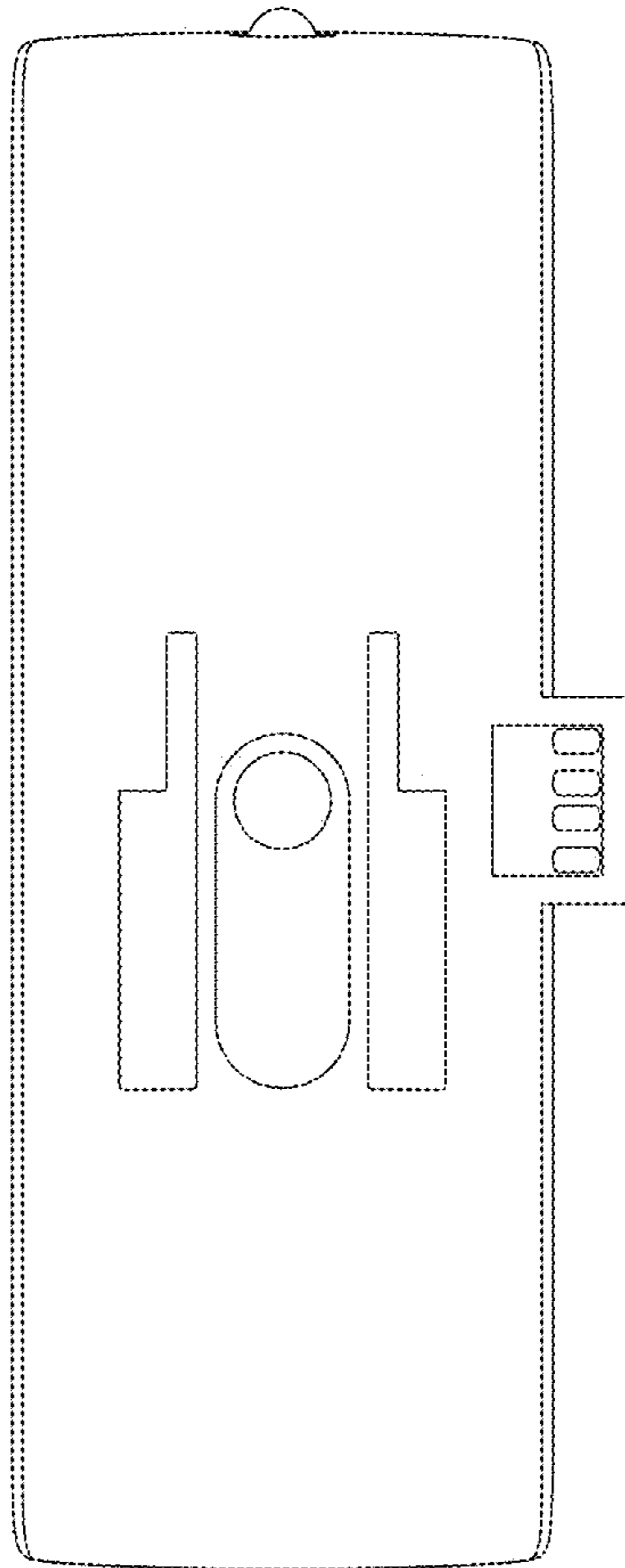


FIG. 4

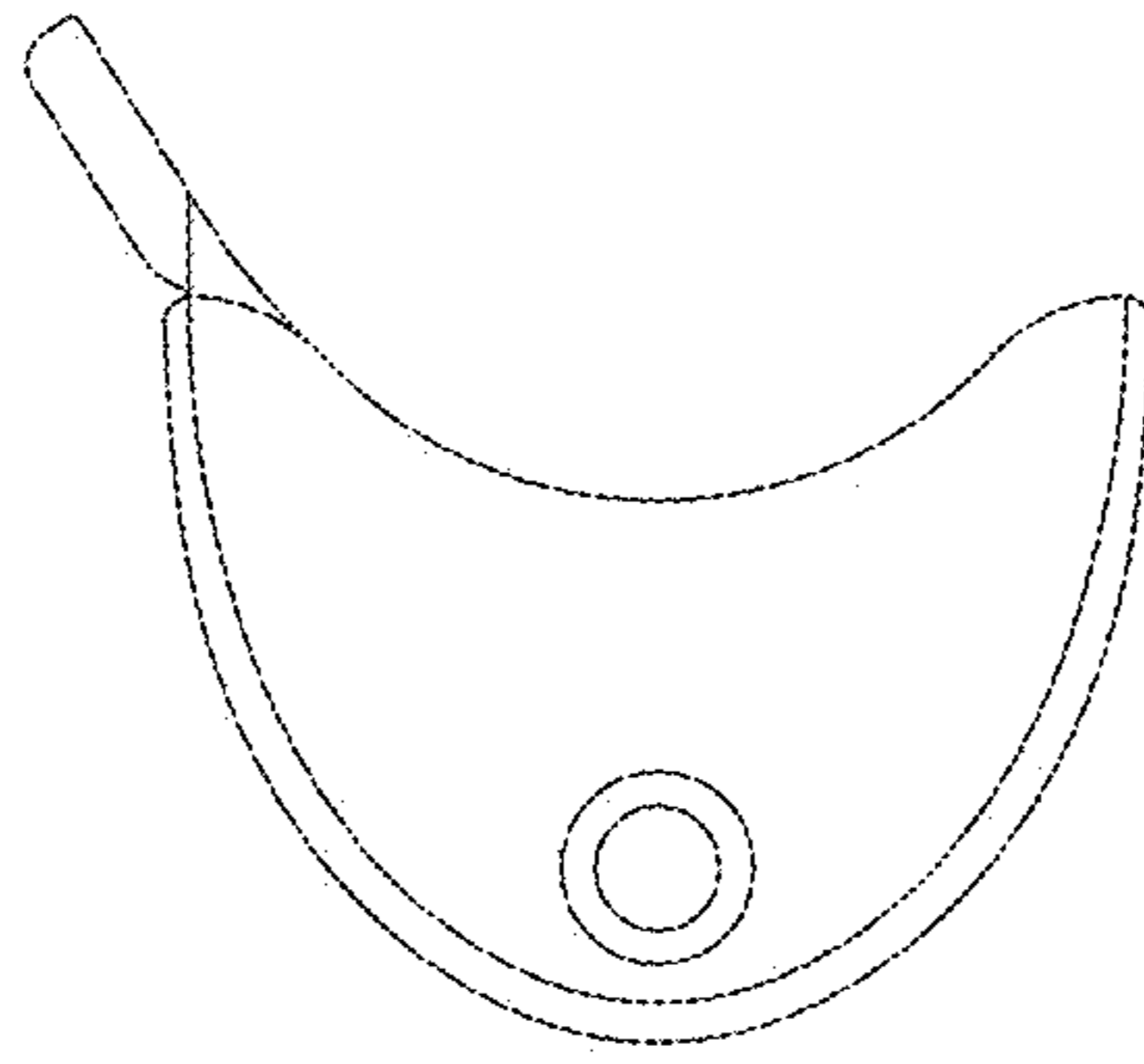


FIG. 5

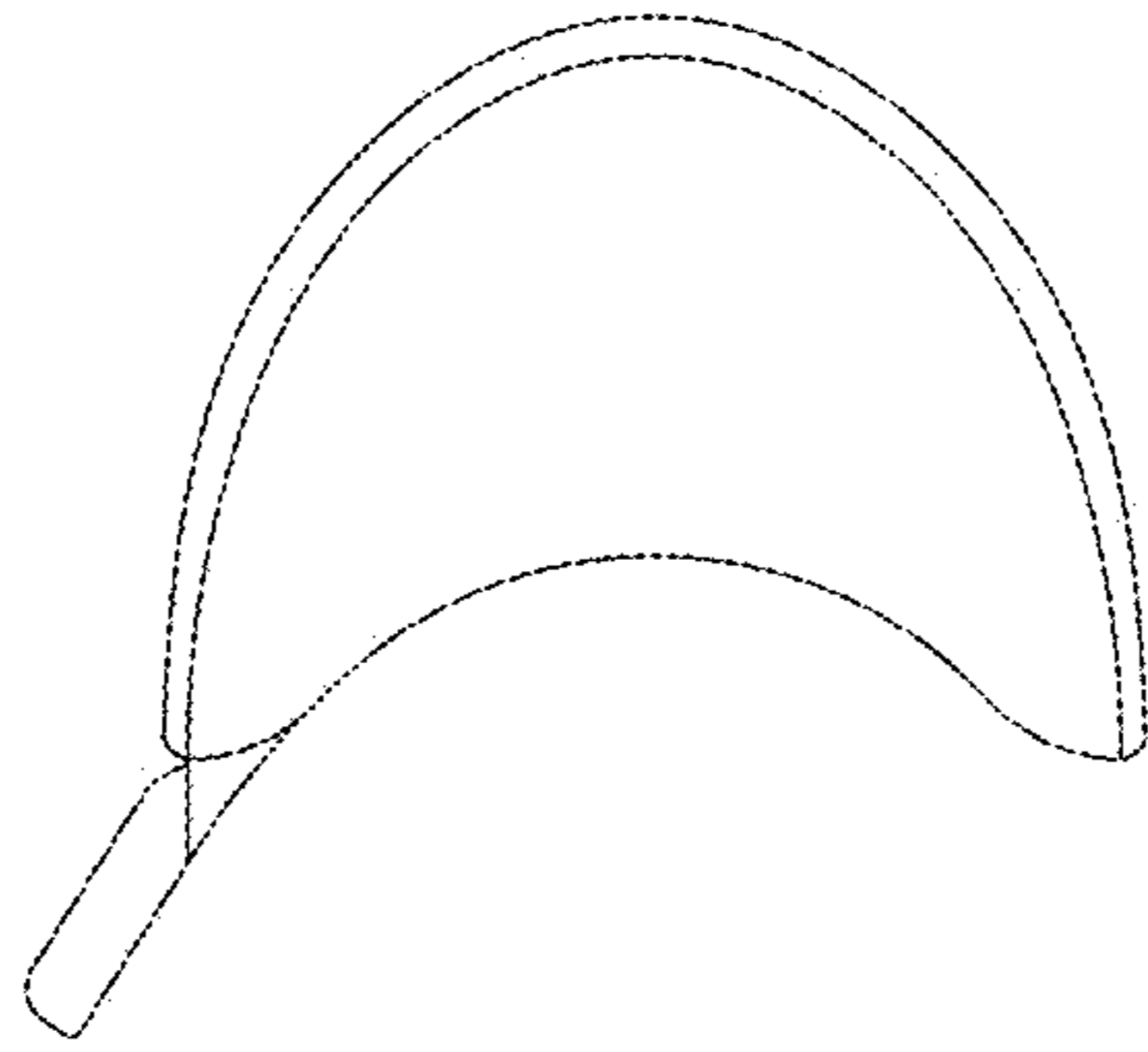


FIG. 6

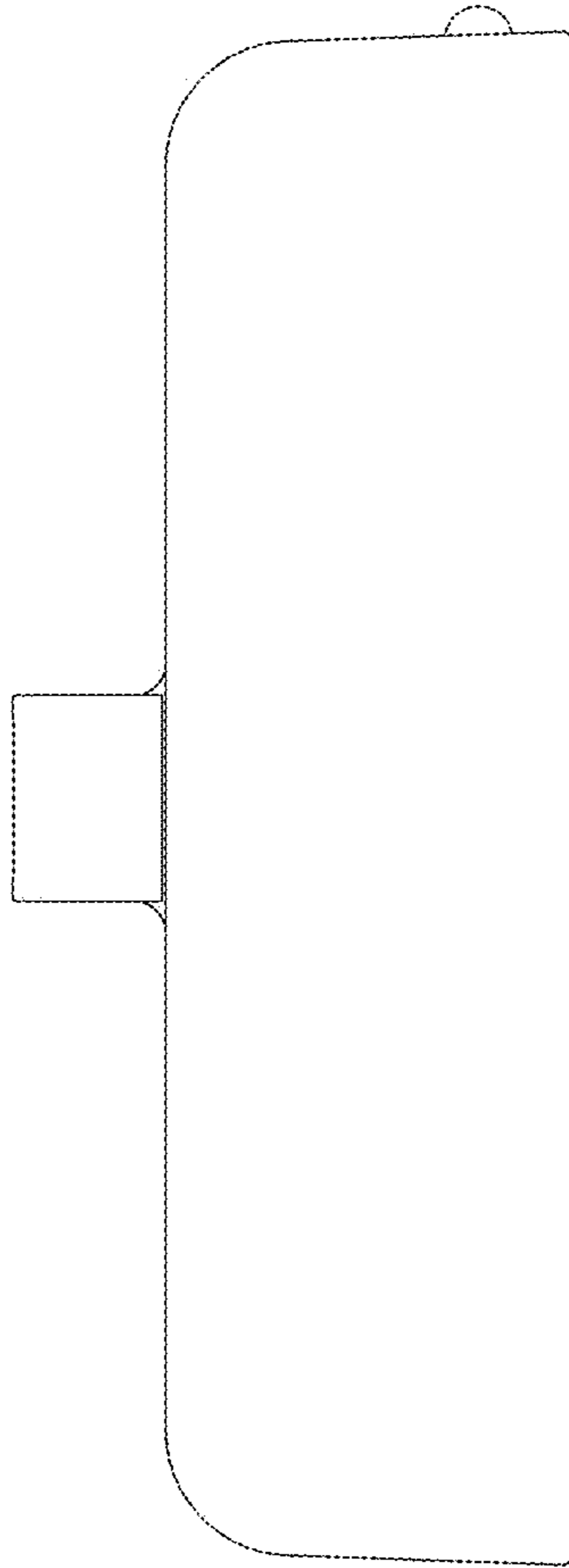


FIG. 7