



US00D897582S

(12) **United States Design Patent** (10) **Patent No.:** **US D897,582 S**
Meng et al. (45) **Date of Patent:** **** Sep. 29, 2020**

(54) **COMBINED SALT LAMP AND OIL DIFFUSER**
(71) Applicant: **Bear Down Brands, LLC**, Huntington Beach, CA (US)
(72) Inventors: **ShiFei Meng**, Xiamen (CN); **Dayne Nathaniel Tanner**, Concord, CA (US)
(73) Assignee: **Bear Down Brands, LLC**, Huntington Beach, CA (US)
(**) Term: **15 Years**
(21) Appl. No.: **29/659,316**
(22) Filed: **Aug. 8, 2018**
(51) **LOC (12) Cl.** **26-05**
(52) **U.S. Cl.**
USPC **D26/51**
(58) **Field of Classification Search**
USPC ... D11/131, 131.1, 143, 152, 153, 154, 184; D26/9, 51, 93, 135, 137; D23/355, 356, D23/359, 360, 364, 366, 367; D7/509, D7/591, 598
CPC F24F 3/14; A61M 11/042; F21W 2121/00; F21V 33/0004; F21V 33/0044; F21S 2/00; A61L 9/02; A61L 9/03; A61L 9/032; A61L 9/035; A61L 9/04; A61L 9/13; A61L 9/122; A61L 9/127
See application file for complete search history.

(56) **References Cited**
U.S. PATENT DOCUMENTS
D632,774 S * 2/2011 Hisey D23/366
D720,063 S * 12/2014 Li D23/366
D753,279 S * 4/2016 Li D23/366
D810,910 S * 2/2018 Yu D23/366
D811,571 S * 2/2018 Hu D23/356
D817,171 S * 5/2018 Patrick D9/451
10,054,297 B1 * 8/2018 Saeed F21V 19/04
D828,534 S * 9/2018 Hu D23/366
D829,877 S * 10/2018 Liu D23/366

D838,828 S * 1/2019 Jonsson D23/366
D861,847 S * 10/2019 Li D23/366
D865,934 S * 11/2019 Long D23/366
D869,627 S * 12/2019 Gobber D23/366
D869,629 S * 12/2019 Li D23/366
D869,630 S * 12/2019 Zaludova D23/366
D870,258 S * 12/2019 Song D23/366
2018/0209600 A1 * 7/2018 Yang F21V 3/02
(Continued)

OTHER PUBLICATIONS

Pure Enrichment PureGlow—The Original Patent Pending 2-in-1 Himalayan Salt Lamp. Posted on Amazon. Date posted: Dec. 8, 2017 [site visited Mar. 17, 2020]. Retrieved from Internet: https://www.amazon.com/Pure-Enrichment-PureGlow-Ultrasonic-Handcrafted/dp/B0781D51FL/ref=sr_1_1?dchild=1&keywords=Pure+EN... (Year: 2017).*

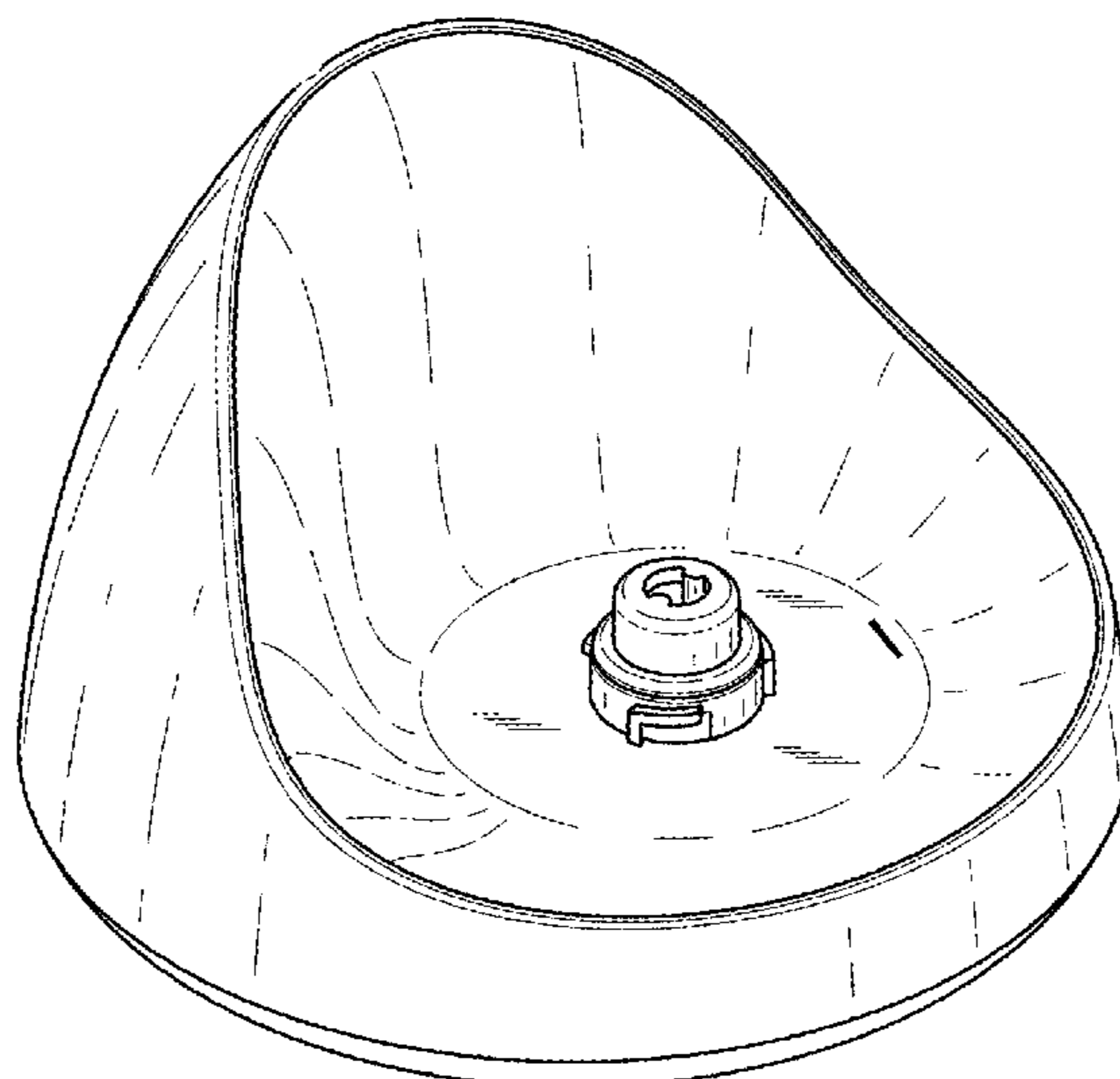
Primary Examiner — Sheryl Lane
Assistant Examiner — Stacey L Hopkins
(74) *Attorney, Agent, or Firm* — Gloria Tsui-Yip, Esq.; Gottlieb, Rackman & Reisman, P.C.

(57) **CLAIM**
The ornamental design for a combined salt lamp and oil diffuser, as shown and described.

DESCRIPTION

FIG. 1 is a front elevational view of a combined salt lamp and oil diffuser showing our new design; FIG. 2 is a top plan view thereof; FIG. 3 is a rear elevational view thereof; FIG. 4 is a bottom plan view thereof; FIG. 5 is a left side view thereof; FIG. 6 is a right side view thereof; FIG. 7 is a perspective view thereof; and, FIG. 8 is another perspective view thereof. The broken lines in the drawings depict portions of the combined salt lamp and oil diffuser that form no part of the claimed design.

1 Claim, 5 Drawing Sheets



(56)

References Cited

U.S. PATENT DOCUMENTS

2018/0214593 A1* 8/2018 Breen A61L 9/12
2020/0046868 A1* 2/2020 Meng F21V 3/06

* cited by examiner

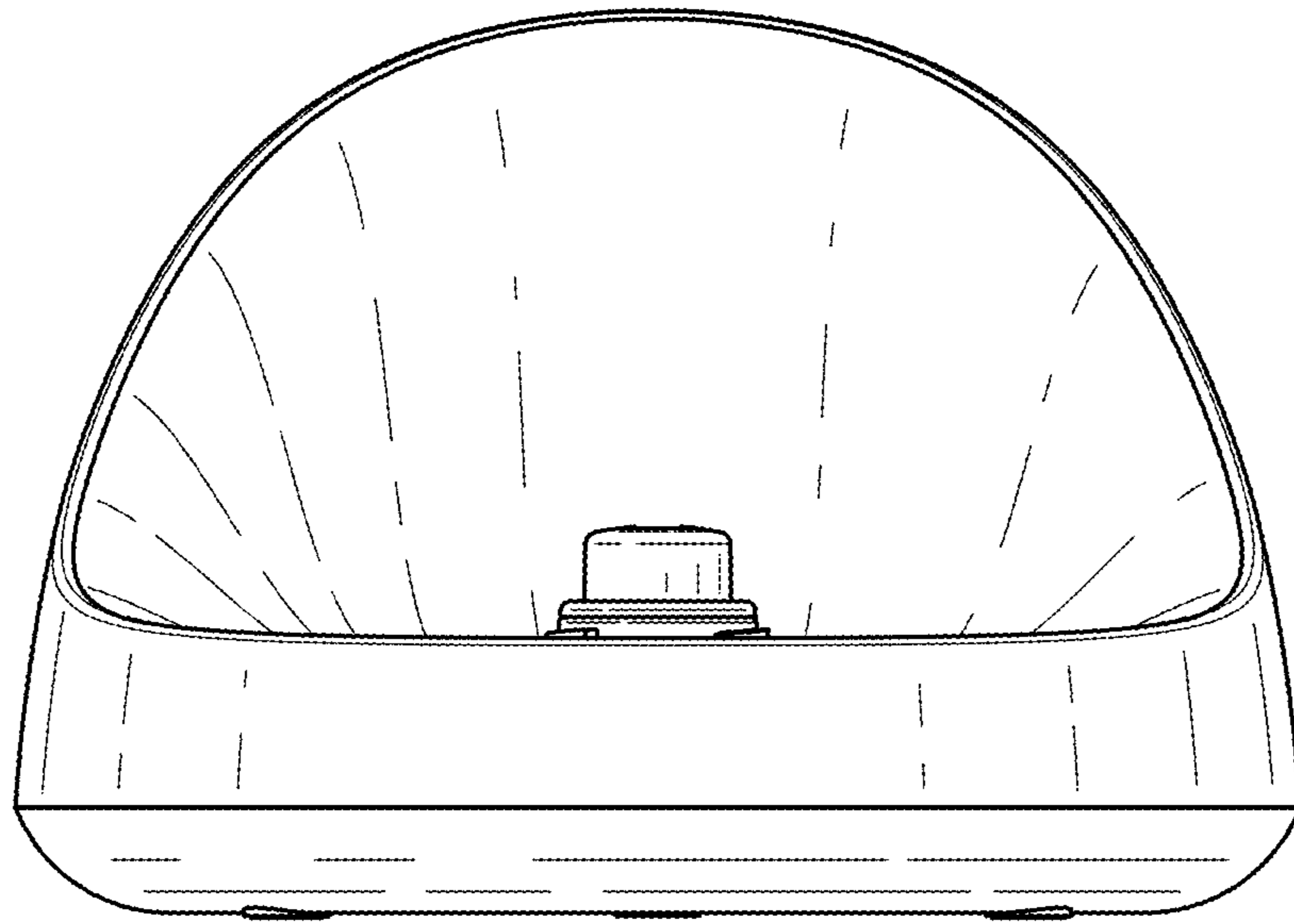


FIG.1

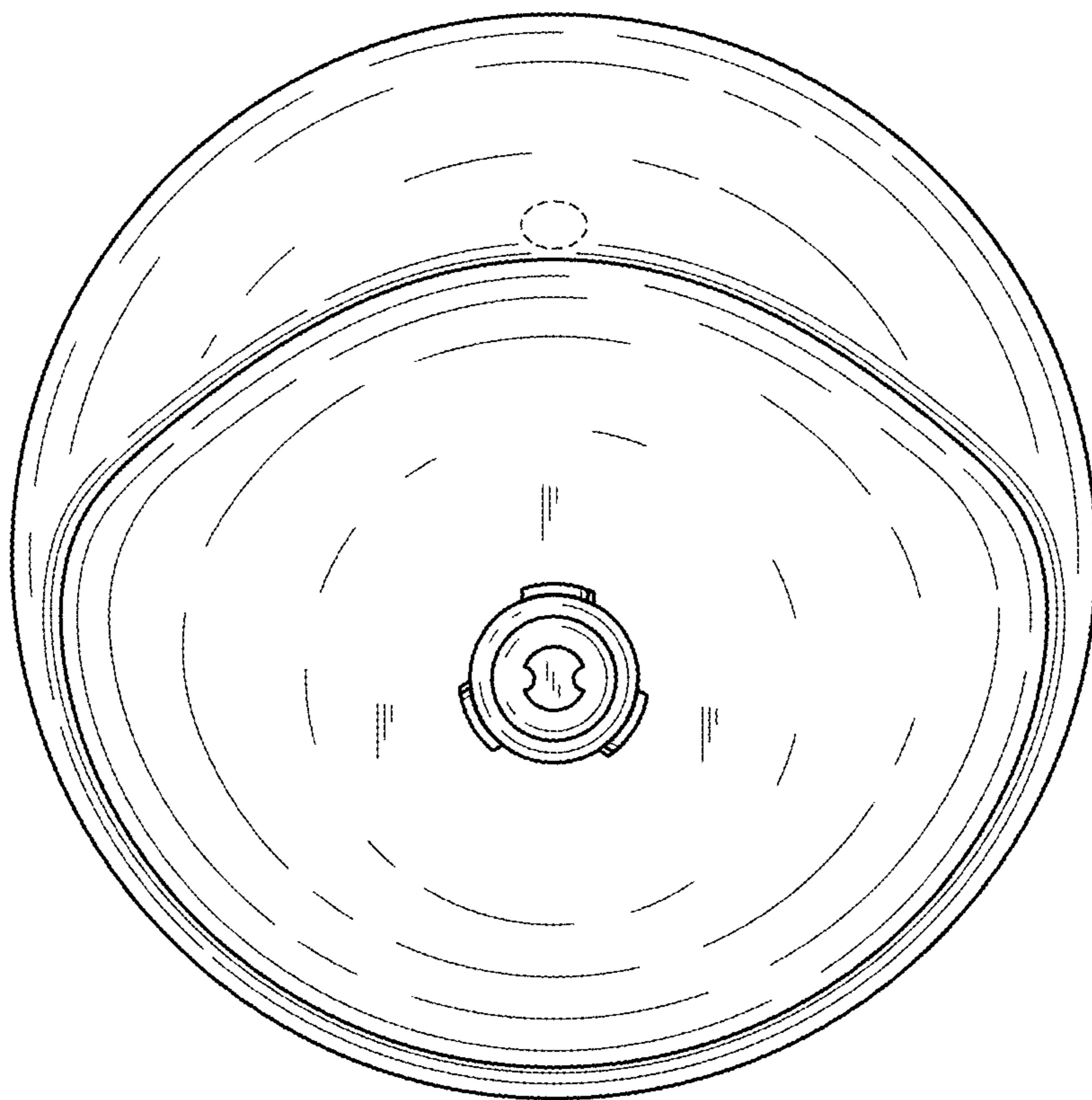


FIG.2

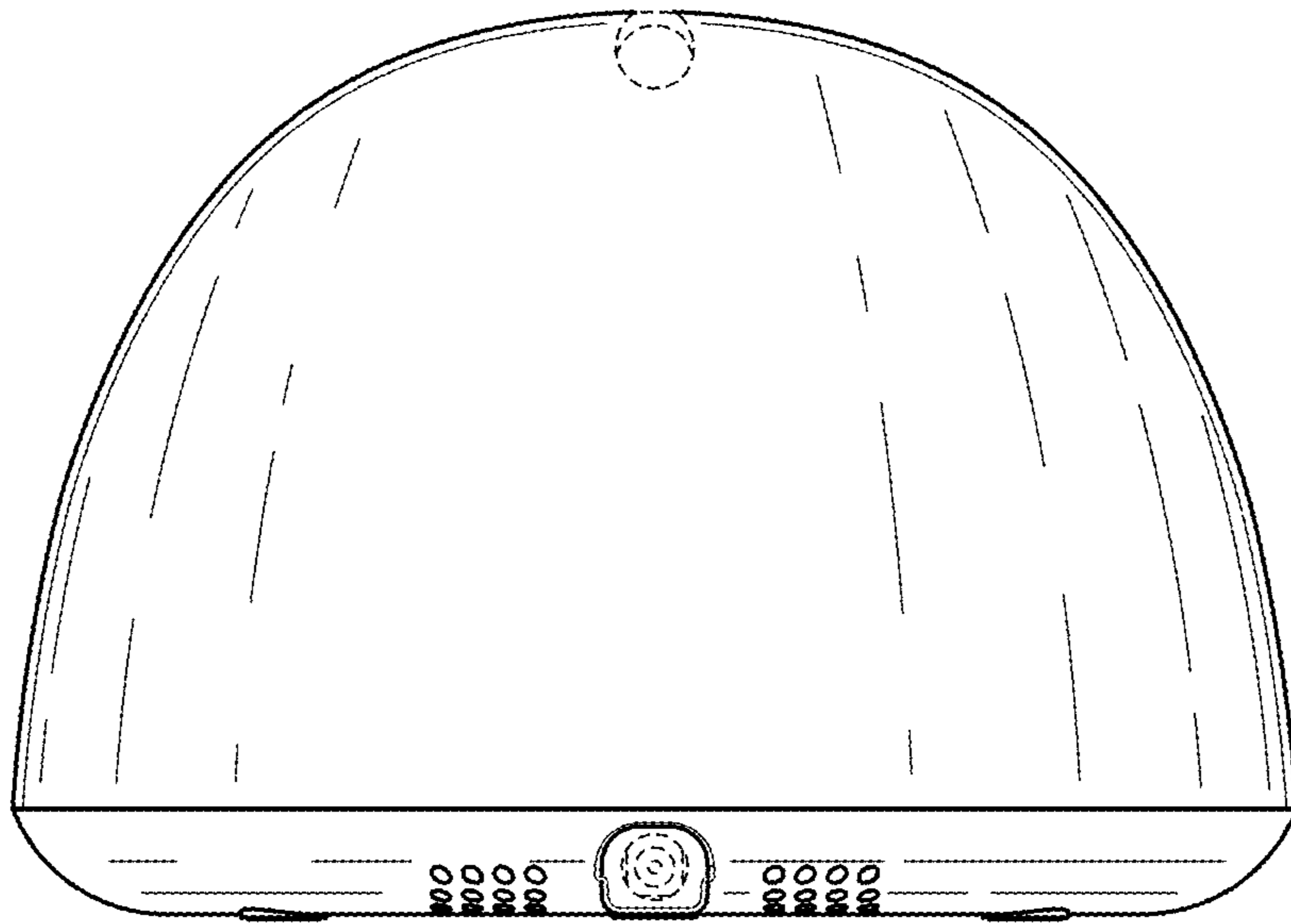


FIG.3

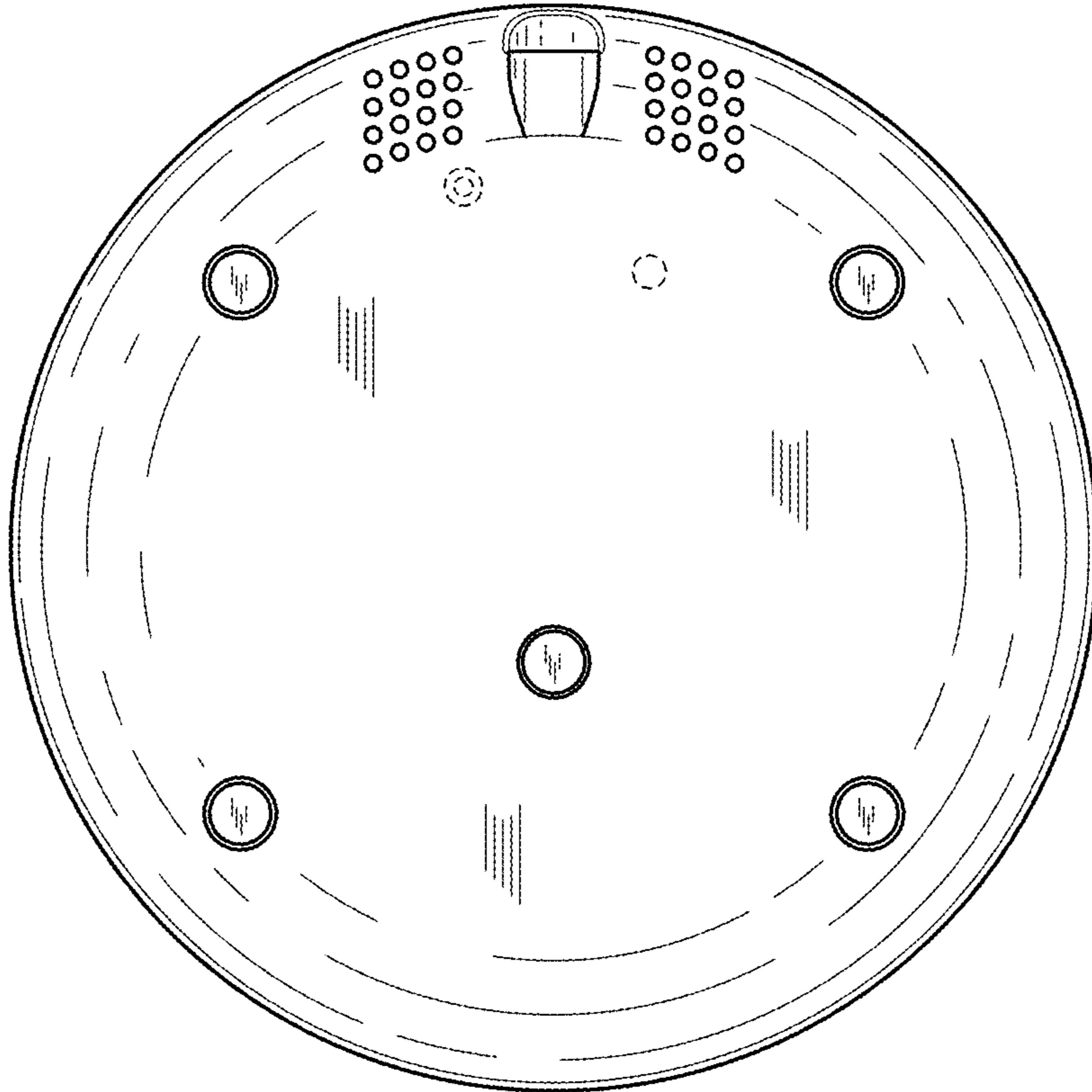


FIG.4

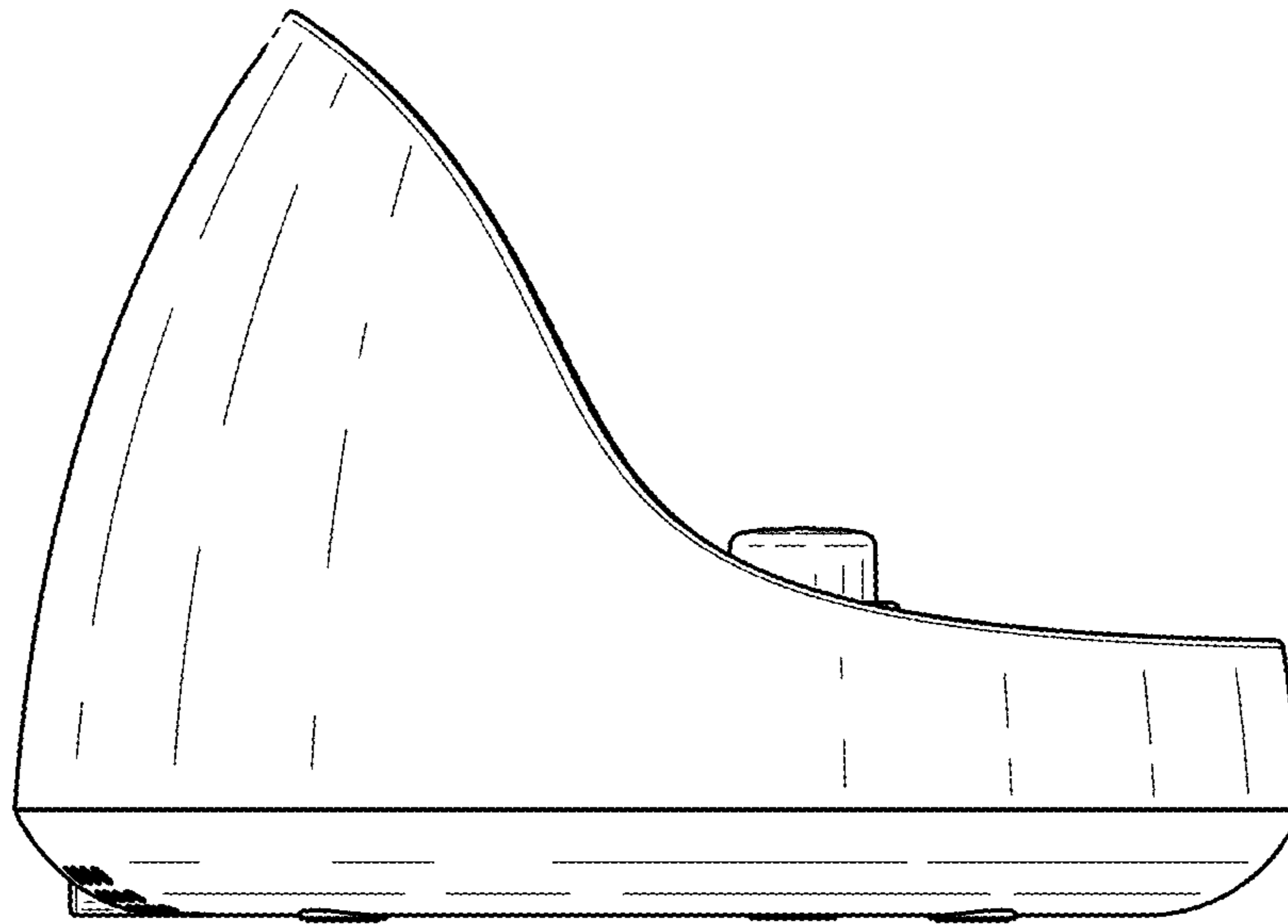


FIG.5

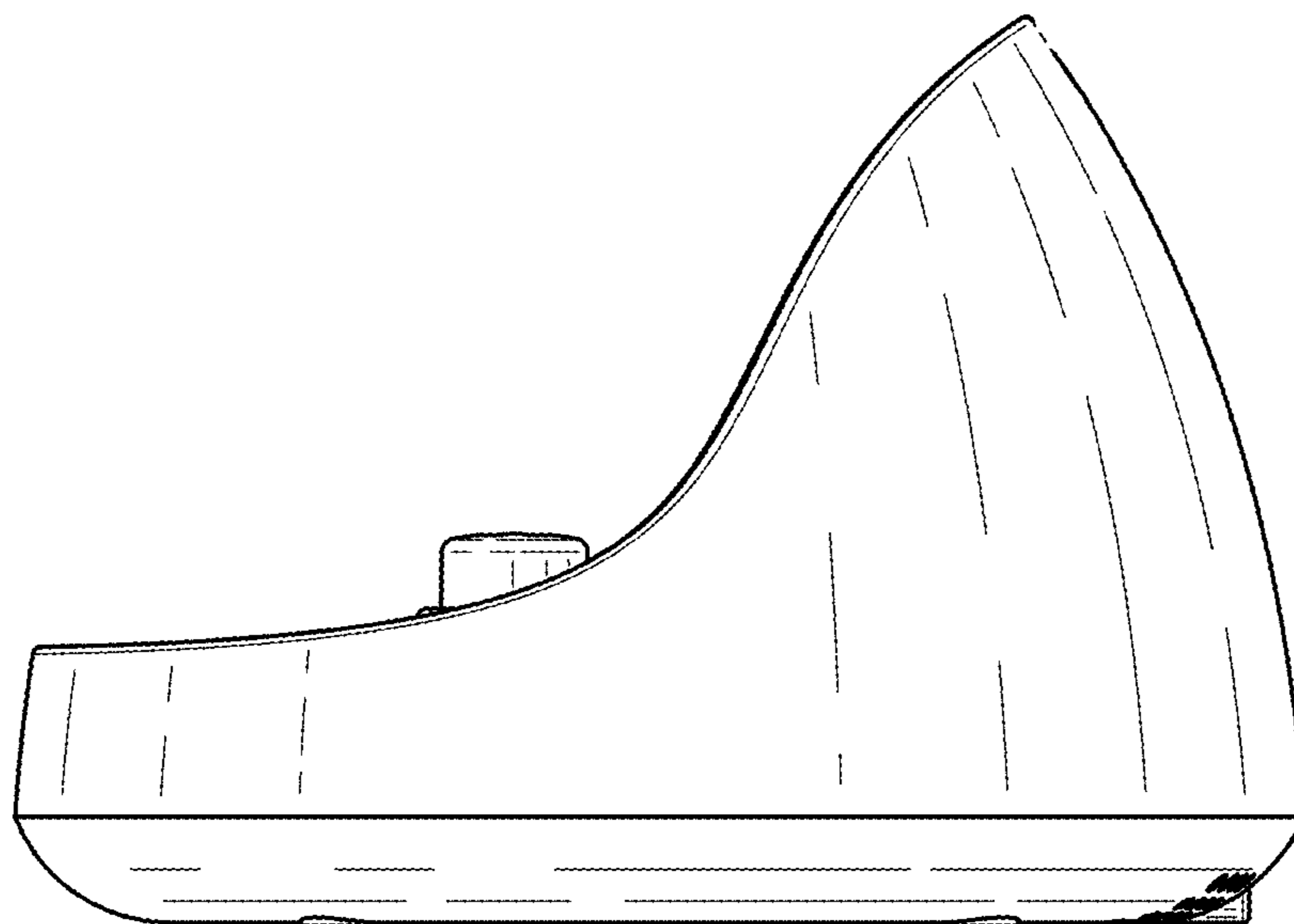


FIG.6

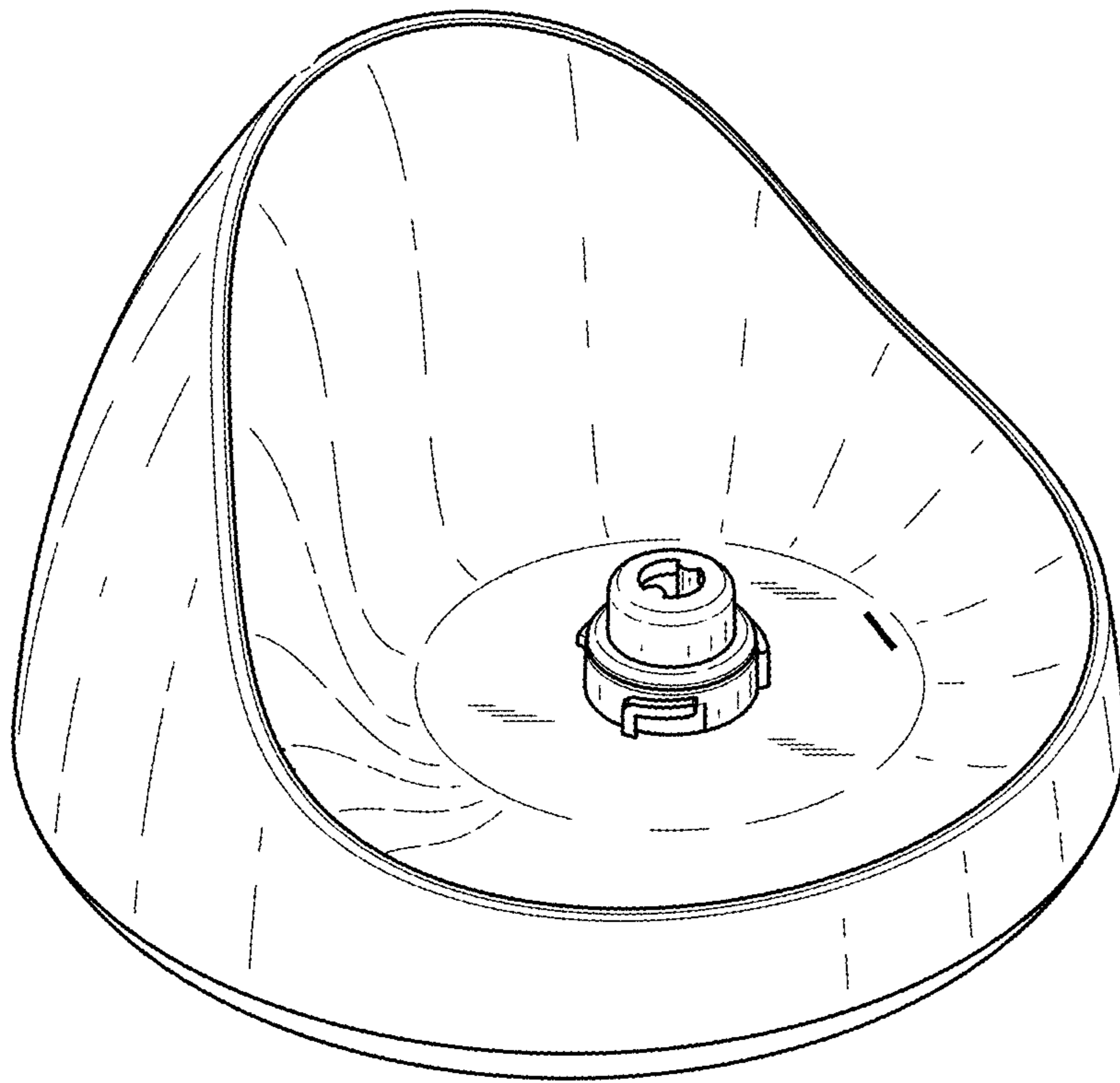


FIG.7

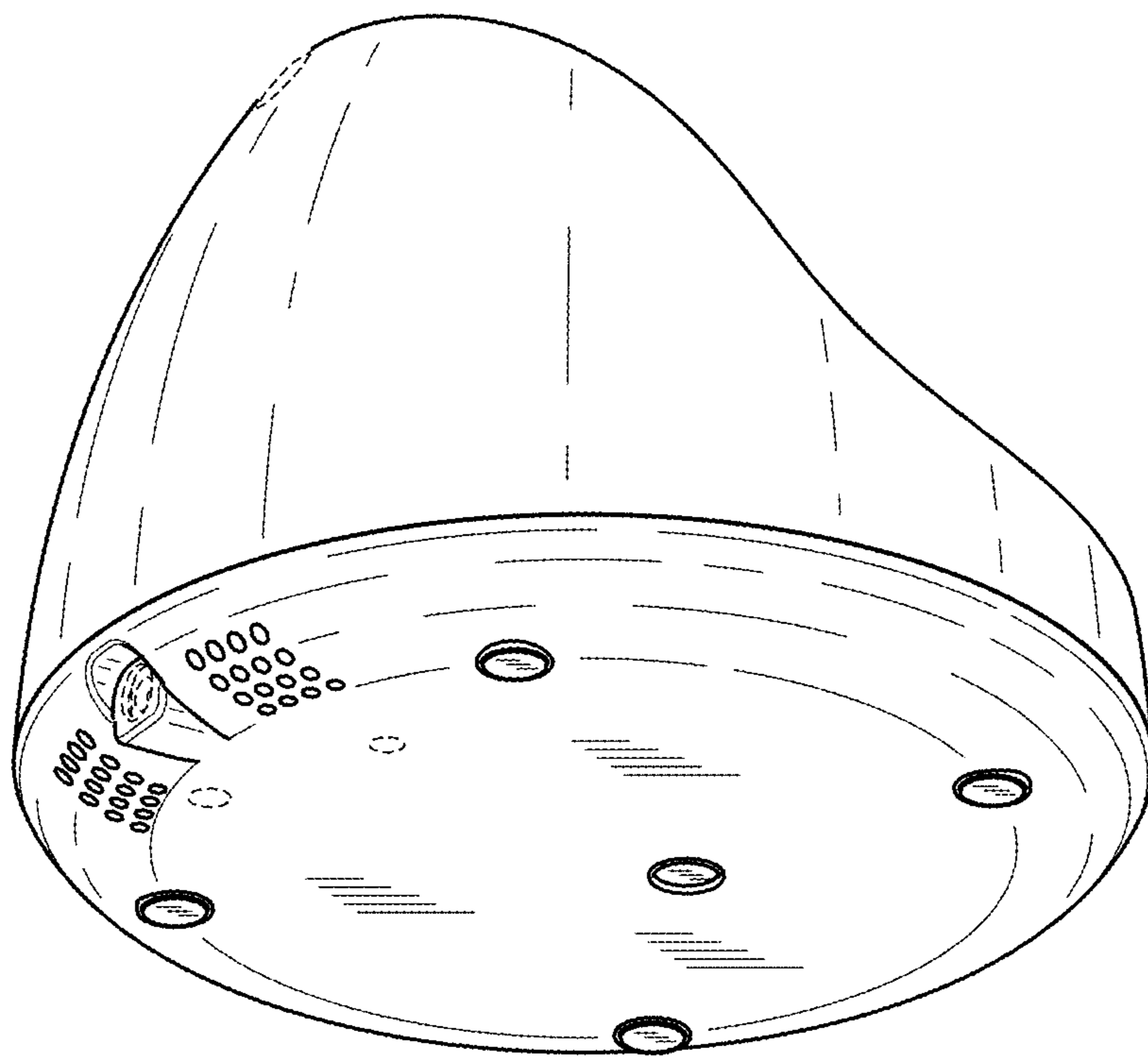


FIG.8