



US00D897579S

(12) **United States Design Patent** (10) **Patent No.:** **US D897,579 S**
Le (45) **Date of Patent:** **** Sep. 29, 2020**

(54) **FLASHLIGHT**
(71) Applicant: **Macroldea Inc.**, Irvine, CA (US)
(72) Inventor: **Tien Cong Le**, Irvine, CA (US)
(73) Assignee: **Macroldea Inc.**, Irvine, CA (US)
(**) Term: **15 Years**
(21) Appl. No.: **29/735,256**
(22) Filed: **May 19, 2020**
(51) **LOC (12) Cl.** **26-02**
(52) **U.S. Cl.**
USPC **D26/37**
(58) **Field of Classification Search**
USPC D26/37-50, 67, 85, 87
CPC F21L 4/02; F21L 4/04; F21L 4/08; F21L
7/00; F21L 11/00; F21L 13/00; F21L
17/00; F21L 19/00; F21L 25/00; F21L
13/04; F21L 13/08; F21L 4/005; F21L
2003/00; F21L 2005/00
See application file for complete search history.

(56) **References Cited**
U.S. PATENT DOCUMENTS

D241,971 S	10/1976	Brindley	
D294,644 S	3/1988	Ohashi	
D356,170 S	3/1995	Ohtaka et al.	
D410,761 S	6/1999	Chiu	
6,095,661 A	8/2000	Lebens et al.	
D504,530 S	4/2005	Shiu	
D553,265 S	10/2007	Maxik	
D553,266 S	10/2007	Maxik	
D554,281 S *	10/2007	Bushee	D26/37
7,278,764 B2	10/2007	Kim	
D554,787 S *	11/2007	Shiu	D26/49
D565,220 S *	3/2008	Galli	D26/49
D567,976 S *	4/2008	Shiu	D26/37
D577,451 S	9/2008	Shiu	

D577,843 S *	9/2008	Couture	D26/49
D577,845 S	9/2008	Shiu	
D578,688 S *	10/2008	Kim	D26/37
D578,689 S *	10/2008	Kim	D26/37
D578,690 S *	10/2008	Kim	D26/37
D579,595 S	10/2008	Shiu	
D590,972 S	4/2009	Kennedy	
D596,773 S	7/2009	Liu	
D599,928 S	9/2009	Shiu	
D629,542 S	12/2010	Robinson	
D629,544 S	12/2010	Deguglimo et al.	
7,896,518 B2	3/2011	Homes et al.	
D641,901 S	7/2011	Opolka	
D651,321 S	12/2011	Marchese et al.	
D668,804 S	10/2012	Maglica	
D671,249 S	11/2012	Sheikh	

(Continued)

FOREIGN PATENT DOCUMENTS

KR 20110123641 1/2012
Primary Examiner — Marcus A Jackson
(74) *Attorney, Agent, or Firm* — Sarah M. Walkington

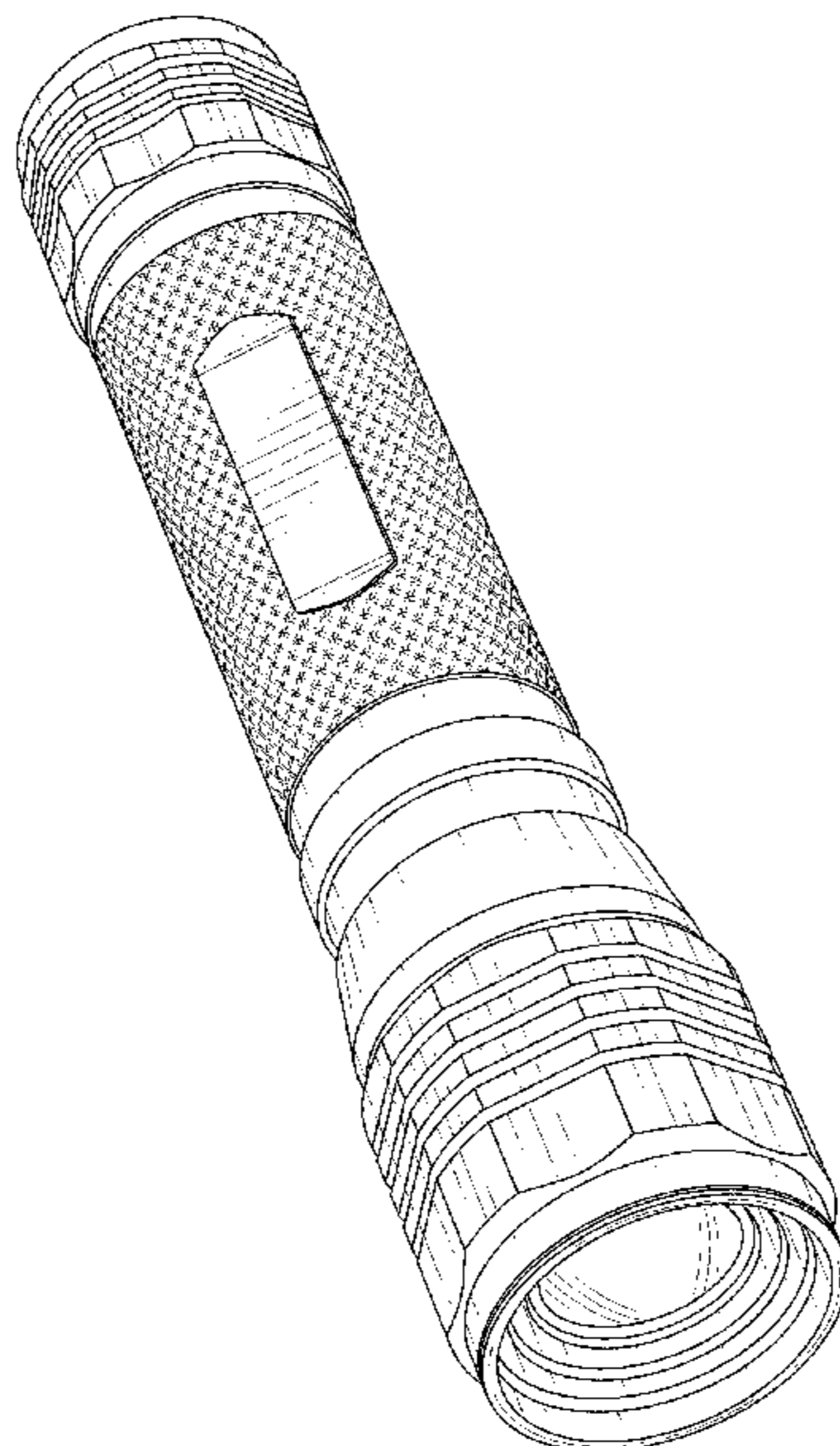
(57) **CLAIM**

The ornamental design for a flashlight, as shown and described.

DESCRIPTION

FIG. 1 is a perspective view of a flashlight showing my new design;
FIG. 2 is another perspective view thereof;
FIG. 3 is a front elevational view thereof;
FIG. 4 is a rear elevational view thereof;
FIG. 5 is a left side elevational view thereof;
FIG. 6 is a right side elevational view thereof;
FIG. 7 is a top plan view thereof; and,
FIG. 8 is a bottom plan view thereof.
The broken line showing of the environment is for illustrative purposes only and forms no part of the claimed design.

1 Claim, 8 Drawing Sheets



(56)

References Cited

U.S. PATENT DOCUMENTS

D674,943 S	1/2013	Sheikh
D685,940 S	7/2013	Lee
D693,041 S	11/2013	van der Lande
D709,232 S	7/2014	Inskeep
D709,233 S	7/2014	Inskeep
D709,234 S	7/2014	Inskeep
8,783,908 B2	7/2014	Gross et al.
D710,526 S	8/2014	Lee
D717,481 S	11/2014	Yong
D719,694 S	12/2014	Nawaz
D732,721 S	6/2015	Popper et al.
D745,200 S	12/2015	Inskeep
D747,024 S	1/2016	Windom
D750,306 S	2/2016	Windom et al.
D785,842 S	5/2017	Huang
D785,843 S	5/2017	Wen
D803,446 S	11/2017	Green
10,060,582 B2	8/2018	O'Brien
D827,892 S	9/2018	Kunzendorf
D828,940 S	9/2018	Qiu
D833,051 S	11/2018	Qiu
D846,169 S	4/2019	Inskeep et al.

* cited by examiner

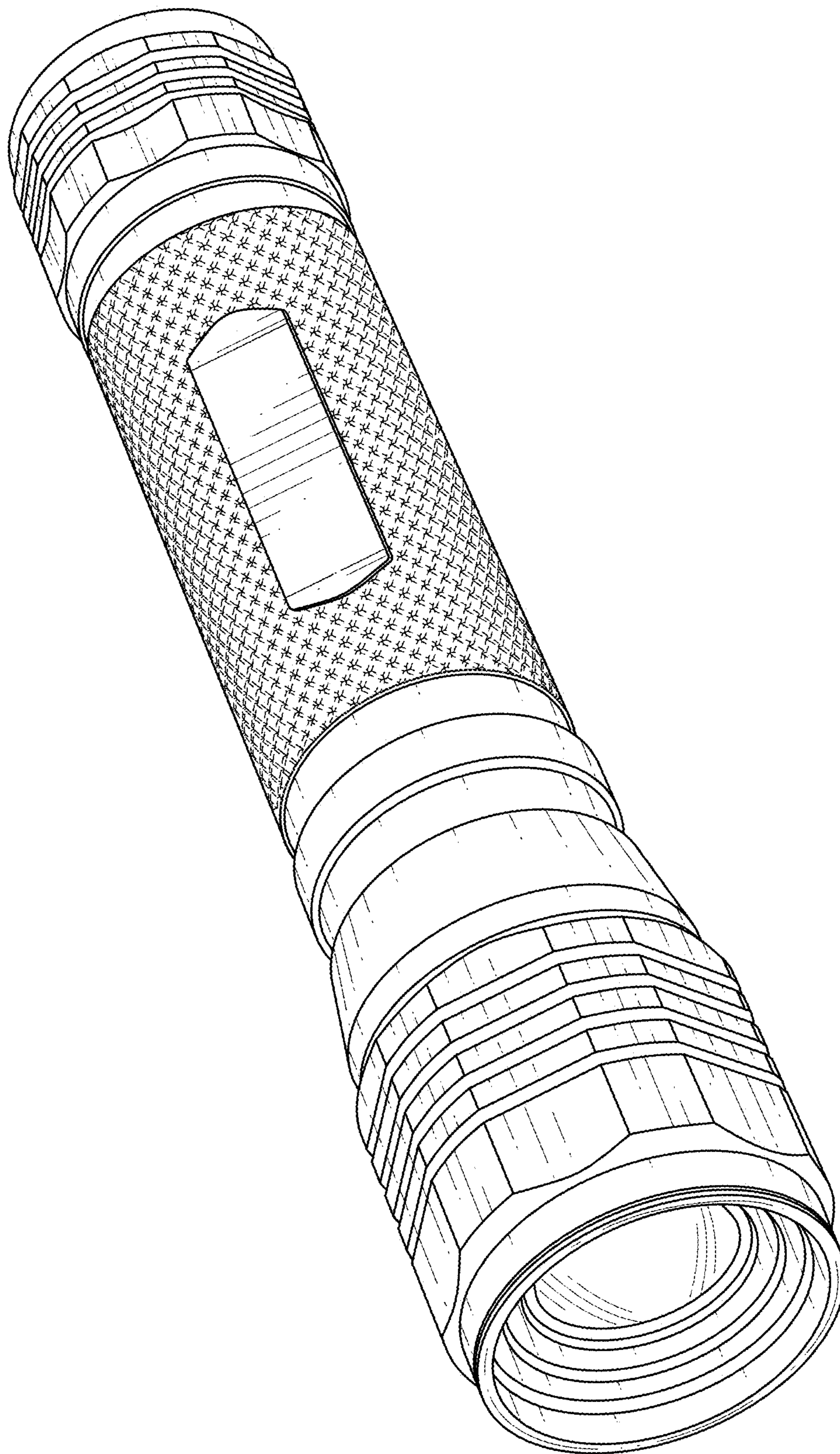


FIG. 1

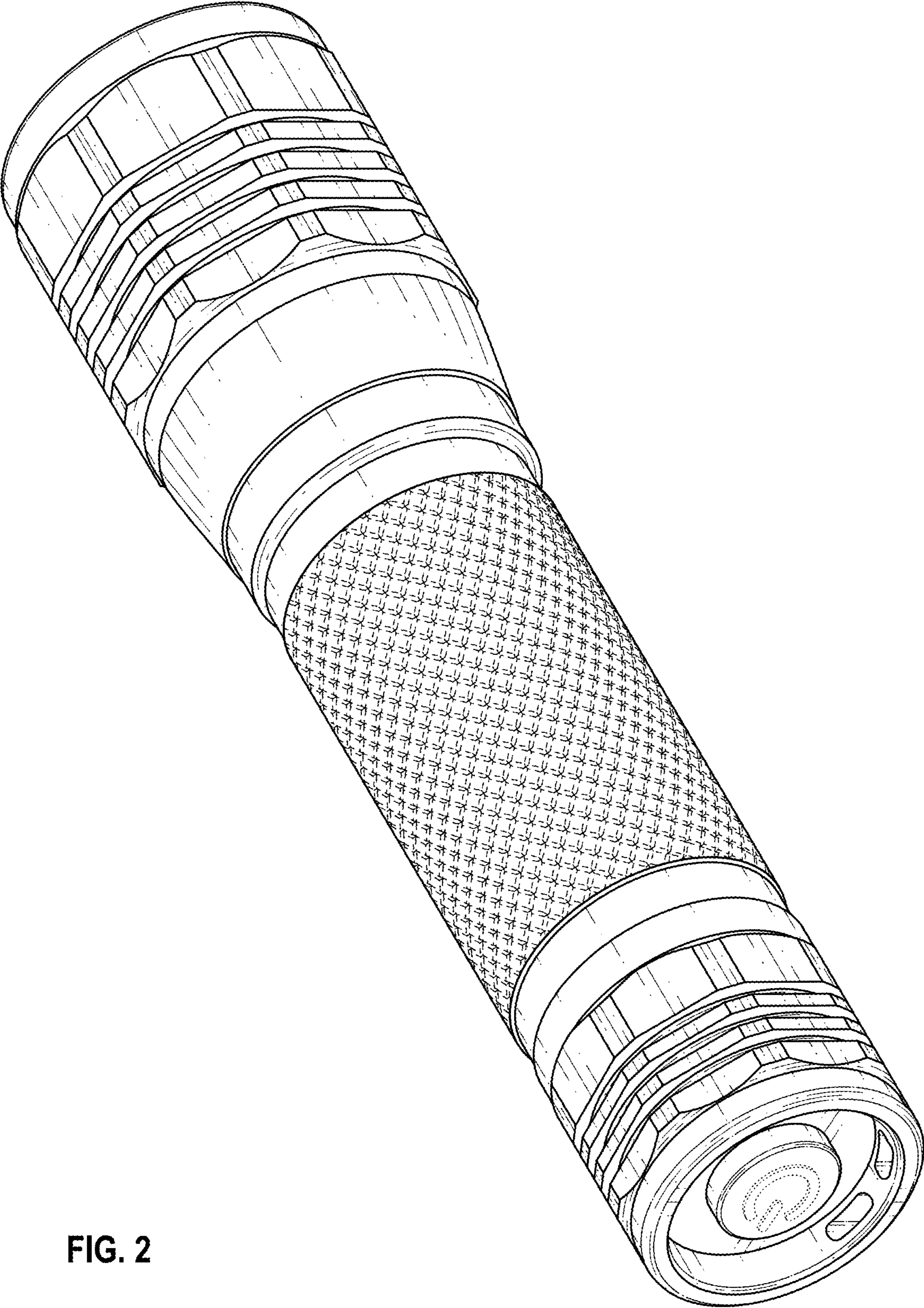


FIG. 2

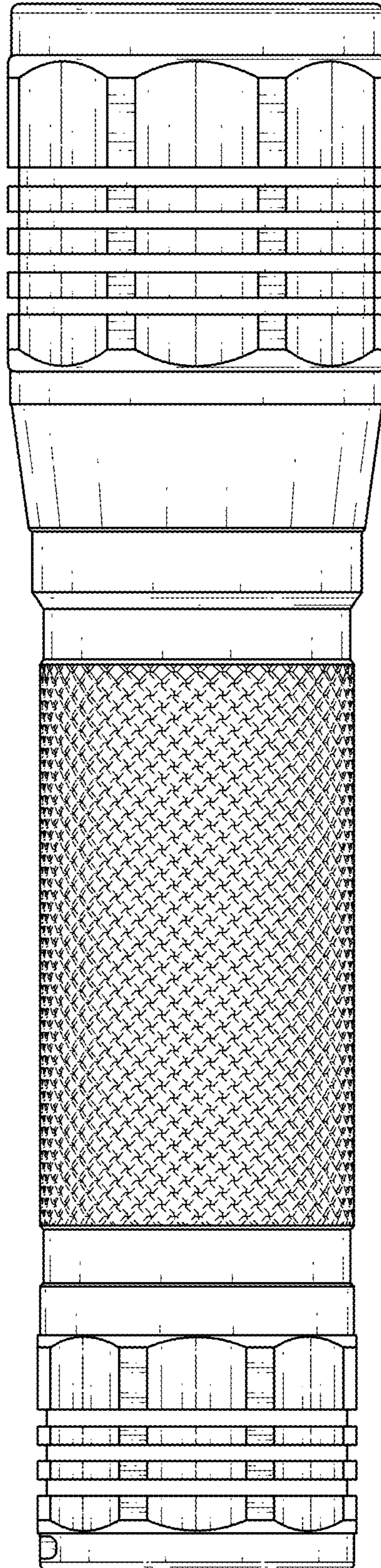


FIG. 3

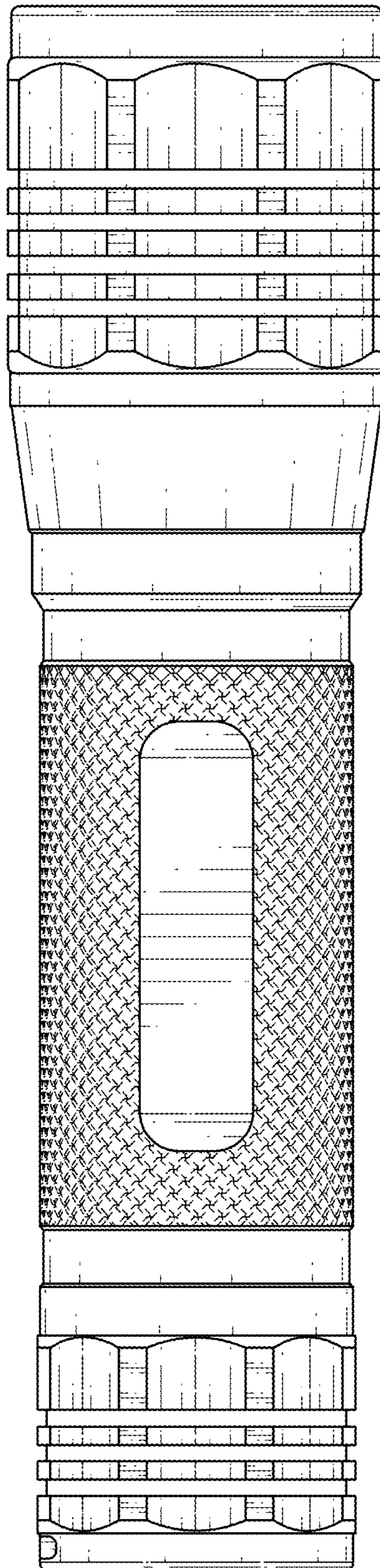


FIG. 4

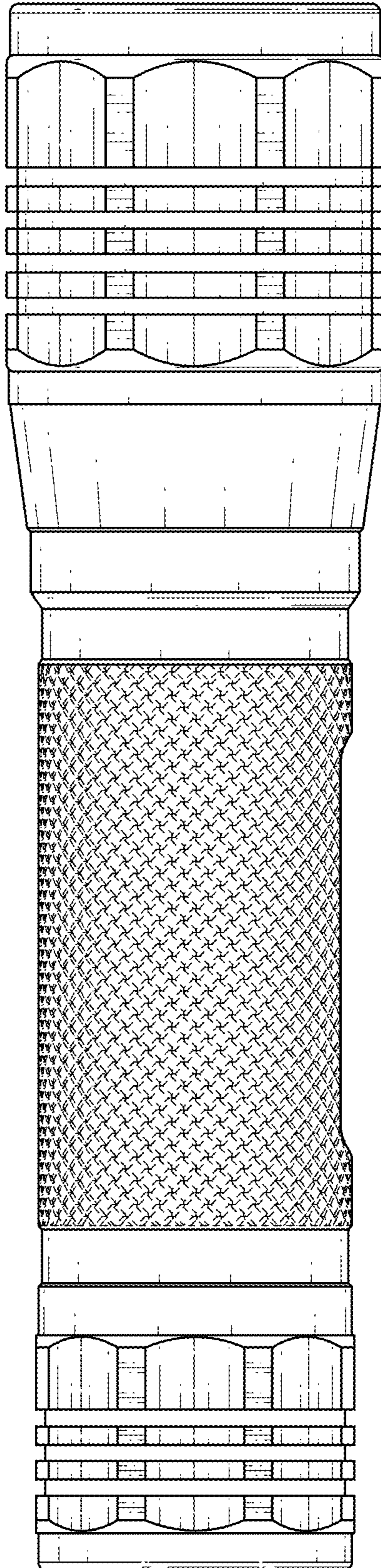


FIG. 5

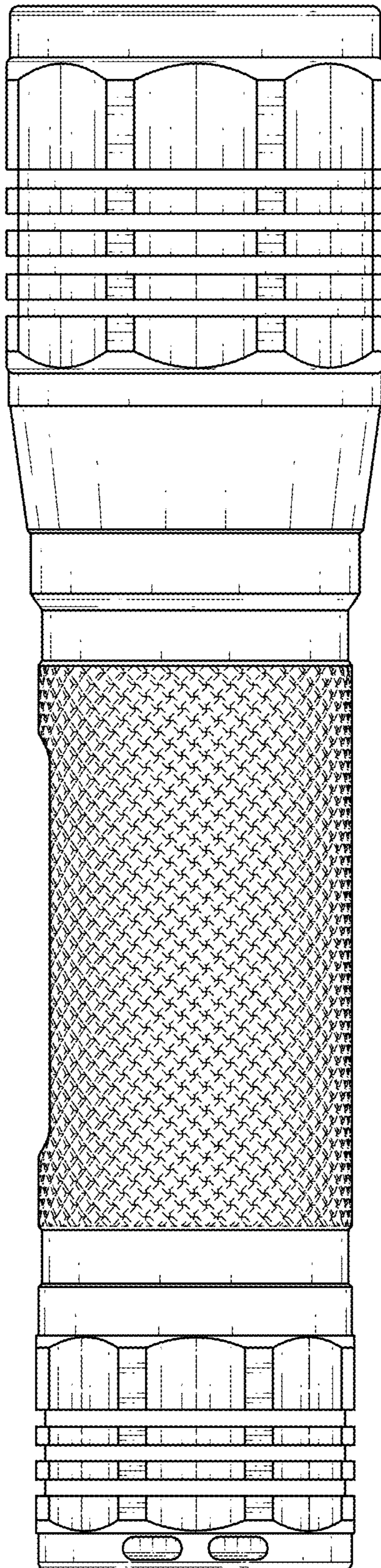


FIG. 6

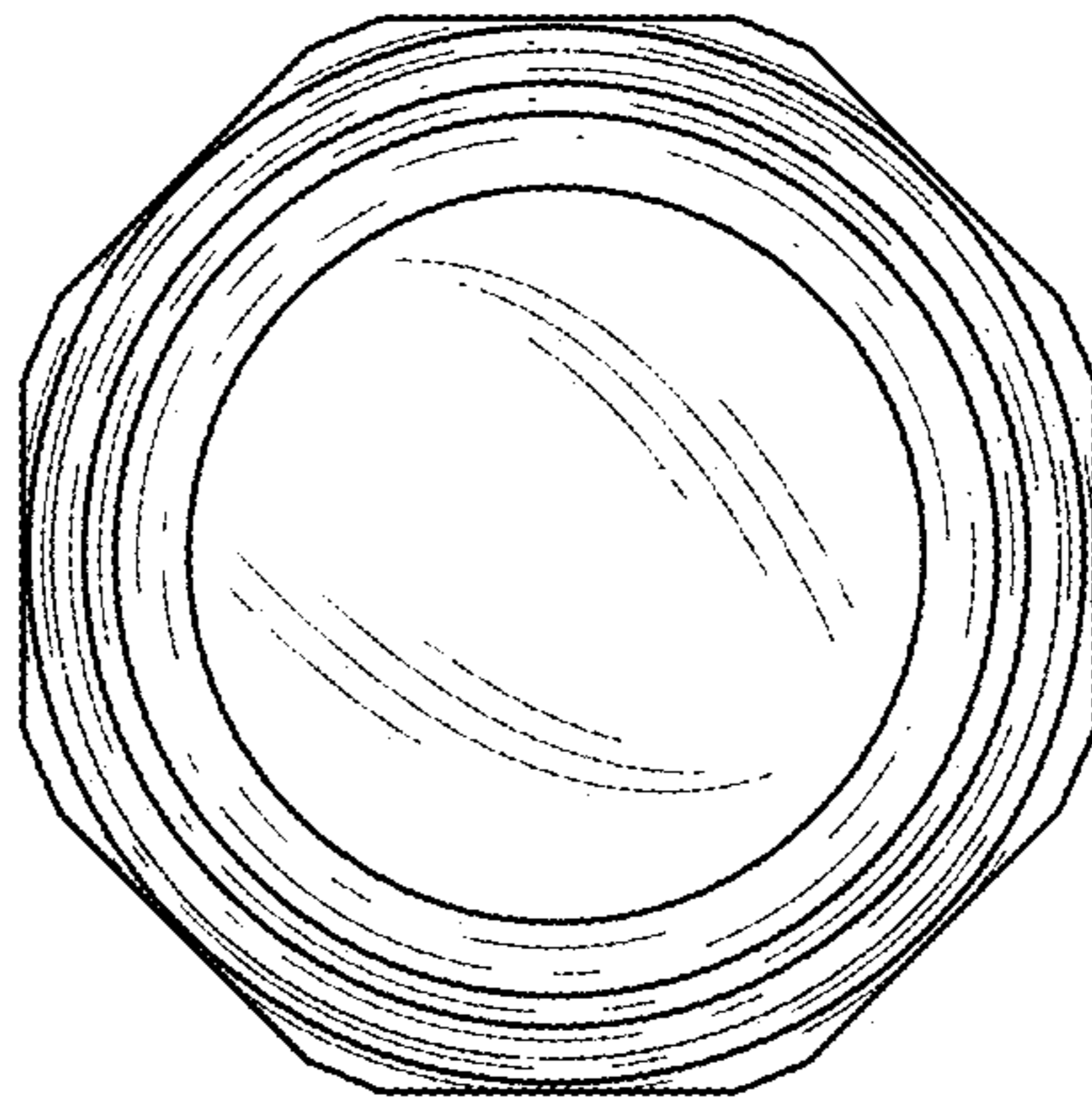


FIG. 7

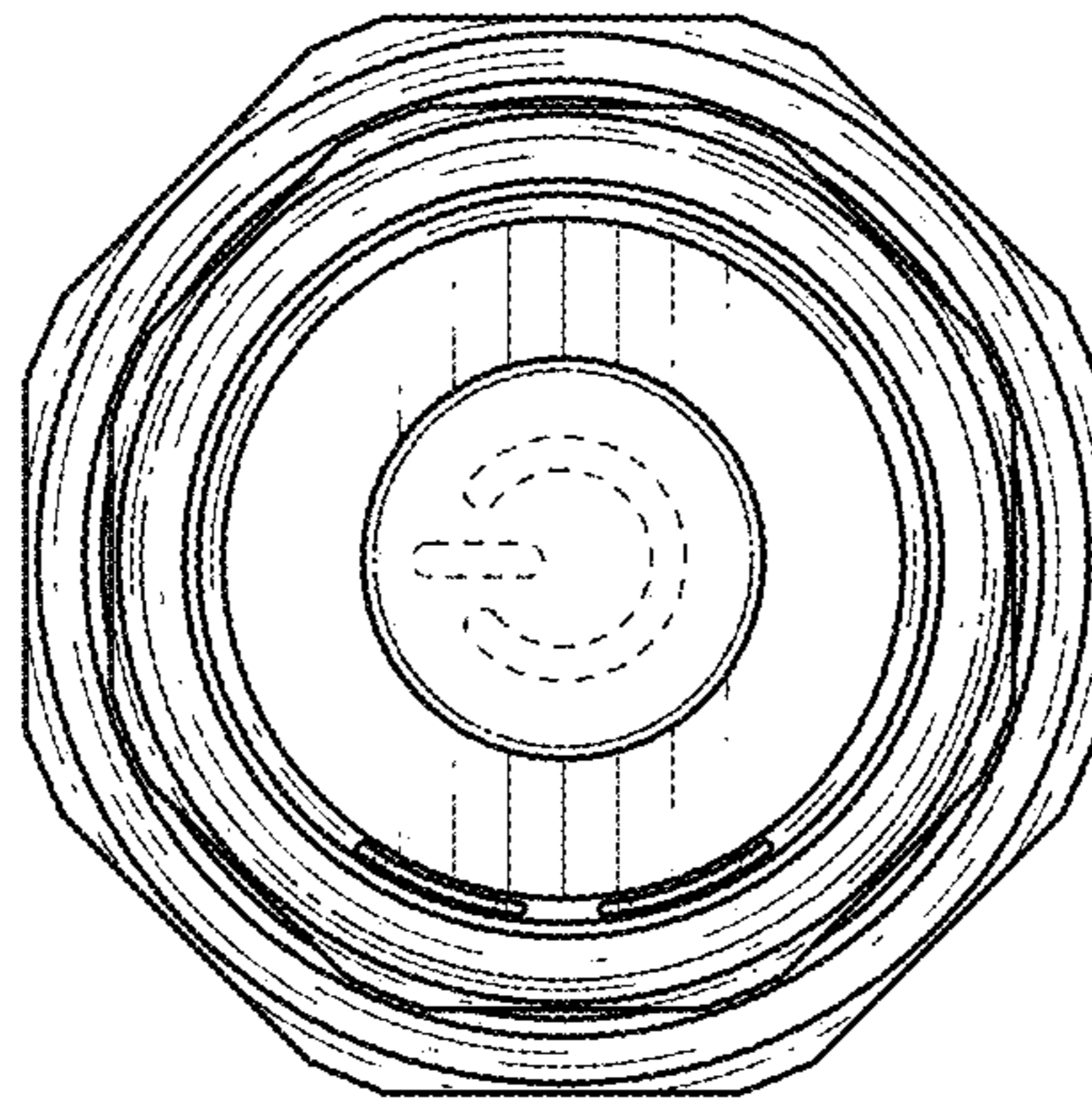


FIG. 8