



US00D897578S

(12) **United States Design Patent** (10) **Patent No.:** **US D897,578 S**  
**Le** (45) **Date of Patent:** **\*\* Sep. 29, 2020**

(54) **FLASHLIGHT**  
(71) Applicant: **Macroldea Inc.**, Irvine, CA (US)  
(72) Inventor: **Tien Cong Le**, Irvine, CA (US)  
(73) Assignee: **Macroldea Inc.**, Irvine, CA (US)  
(\*\*) Term: **15 Years**  
(21) Appl. No.: **29/735,234**  
(22) Filed: **May 19, 2020**  
(51) **LOC (12) Cl.** ..... **26-02**  
(52) **U.S. Cl.**  
USPC ..... **D26/37**  
(58) **Field of Classification Search**  
USPC ..... D26/37-51, 67, 85, 87  
CPC ..... F21L 4/02; F21L 4/04; F21L 4/08; F21L  
7/00; F21L 11/00; F21L 13/00; F21L  
13/04; F21L 13/08; F21L 4/005; F21L  
17/00; F21L 19/00; F21L 25/00; F21L  
2003/00; F21L 2005/00; F21L 4/025;  
F21L 4/027  
See application file for complete search history.

D577,843 S \* 9/2008 Couture ..... D26/49  
D577,845 S 9/2008 Shiu  
D578,688 S \* 10/2008 Kim ..... D26/37  
D578,689 S \* 10/2008 Kim ..... D26/37  
D578,690 S \* 10/2008 Kim ..... D26/37  
D579,595 S 10/2008 Shiu  
D590,972 S 4/2009 Kennedy  
D596,773 S 7/2009 Liu  
D599,928 S 9/2009 Shiu  
D629,542 S 12/2010 Robinson  
D629,544 S 12/2010 Deguglimo et al.  
7,896,518 B2 3/2011 Homes et al.  
D641,901 S 7/2011 Opolka  
D651,321 S 12/2011 Marchese et al.  
D668,804 S 10/2012 Maglica  
D671,249 S 11/2012 Sheikh

(Continued)

FOREIGN PATENT DOCUMENTS

KR 20110123641 1/2012  
*Primary Examiner* — Marcus A Jackson  
(74) *Attorney, Agent, or Firm* — Sarah M. Walkington

(57) **CLAIM**

The ornamental design for a flashlight, as shown and described.

(56) **References Cited**

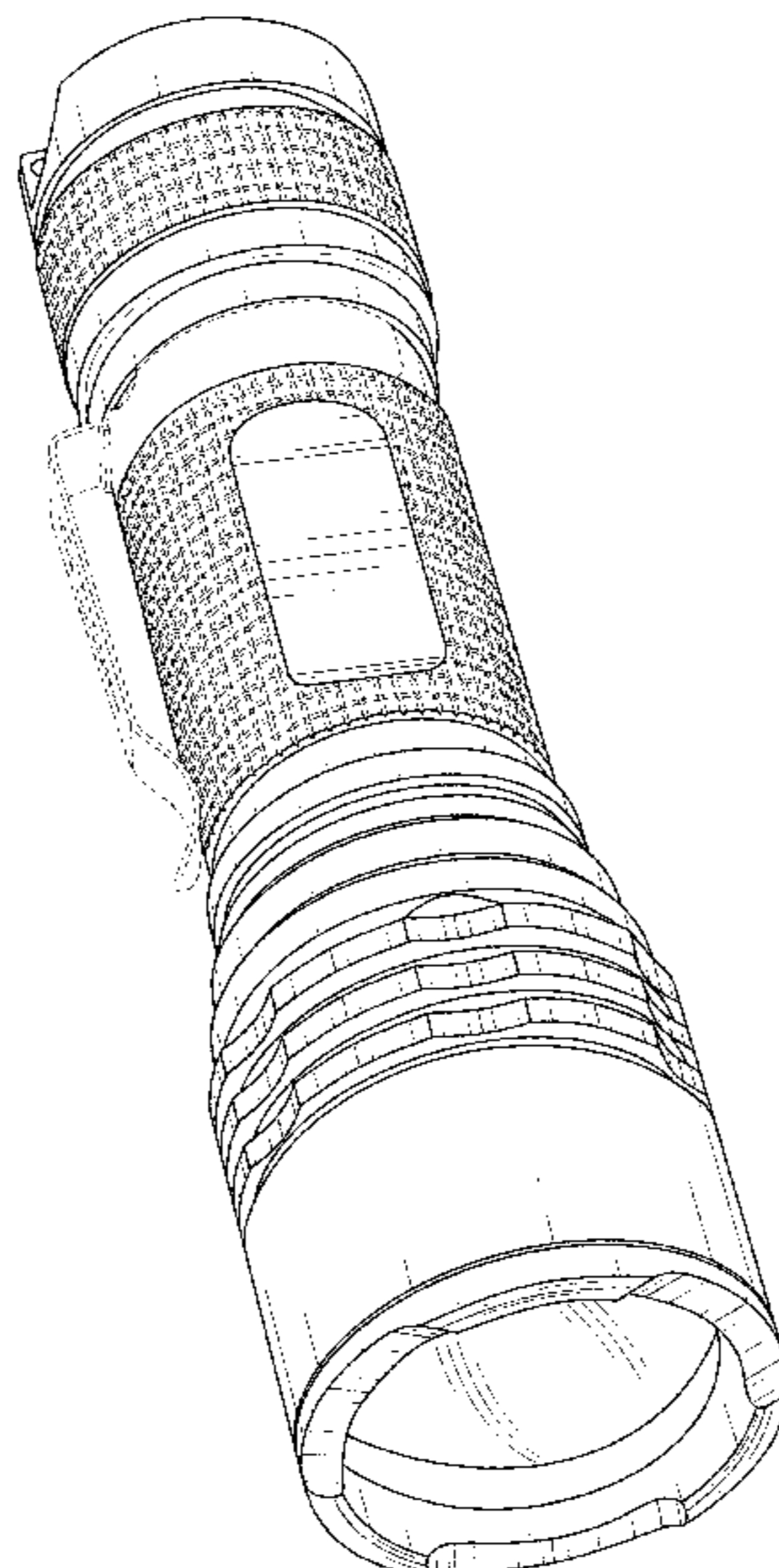
U.S. PATENT DOCUMENTS

D241,971 S 10/1976 Brindley  
D294,644 S 3/1988 Ohashi  
D356,170 S 3/1995 Ohtaka et al.  
D410,761 S 6/1999 Chiu  
6,095,661 A 8/2000 Lebens et al.  
D504,530 S 4/2005 Shiu  
D553,265 S 10/2007 Maxik  
D553,266 S 10/2007 Maxik  
D554,281 S \* 10/2007 Bushee ..... D26/37  
7,278,764 B2 10/2007 Kim  
D554,787 S \* 11/2007 Shiu ..... D26/49  
D565,220 S \* 3/2008 Galli ..... D26/49  
D570,511 S \* 6/2008 Shiu ..... D26/49  
D577,451 S 9/2008 Shiu

**DESCRIPTION**

FIG. 1 is a perspective view of a flashlight showing my new design;  
FIG. 2 is another perspective view thereof;  
FIG. 3 is a front elevational view thereof;  
FIG. 4 is a rear elevational view thereof;  
FIG. 5 is a left side elevational view thereof;  
FIG. 6 is a right side elevational view thereof;  
FIG. 7 is a top plan view thereof; and,  
FIG. 8 is a bottom plan view thereof.  
The broken line showing of the environment is for illustrative purposes only and forms no part of the claimed design.

**1 Claim, 8 Drawing Sheets**



(56)

**References Cited**

U.S. PATENT DOCUMENTS

D674,943	S	1/2013	Sheikh
D685,940	S	7/2013	Lee
D693,041	S	11/2013	van der Lande
D709,232	S	7/2014	Inskeep
D709,233	S	7/2014	Inskeep
D709,234	S	7/2014	Inskeep
8,783,908	B2	7/2014	Gross et al.
D710,526	S	8/2014	Lee
D717,481	S	11/2014	Yong
D719,694	S	12/2014	Nawaz
D732,721	S	6/2015	Popper et al.
D745,200	S	12/2015	Inskeep
D747,024	S	1/2016	Windom
D750,306	S	2/2016	Windom et al.
D785,842	S	5/2017	Huang
D785,843	S	5/2017	Wen
D803,446	S	11/2017	Green
10,060,582	B2	8/2018	O'Brien
D827,892	S	9/2018	Kunzendorf
D828,940	S	9/2018	Qiu
D833,051	S	11/2018	Qiu
D846,169	S	4/2019	Inskeep et al.

\* cited by examiner

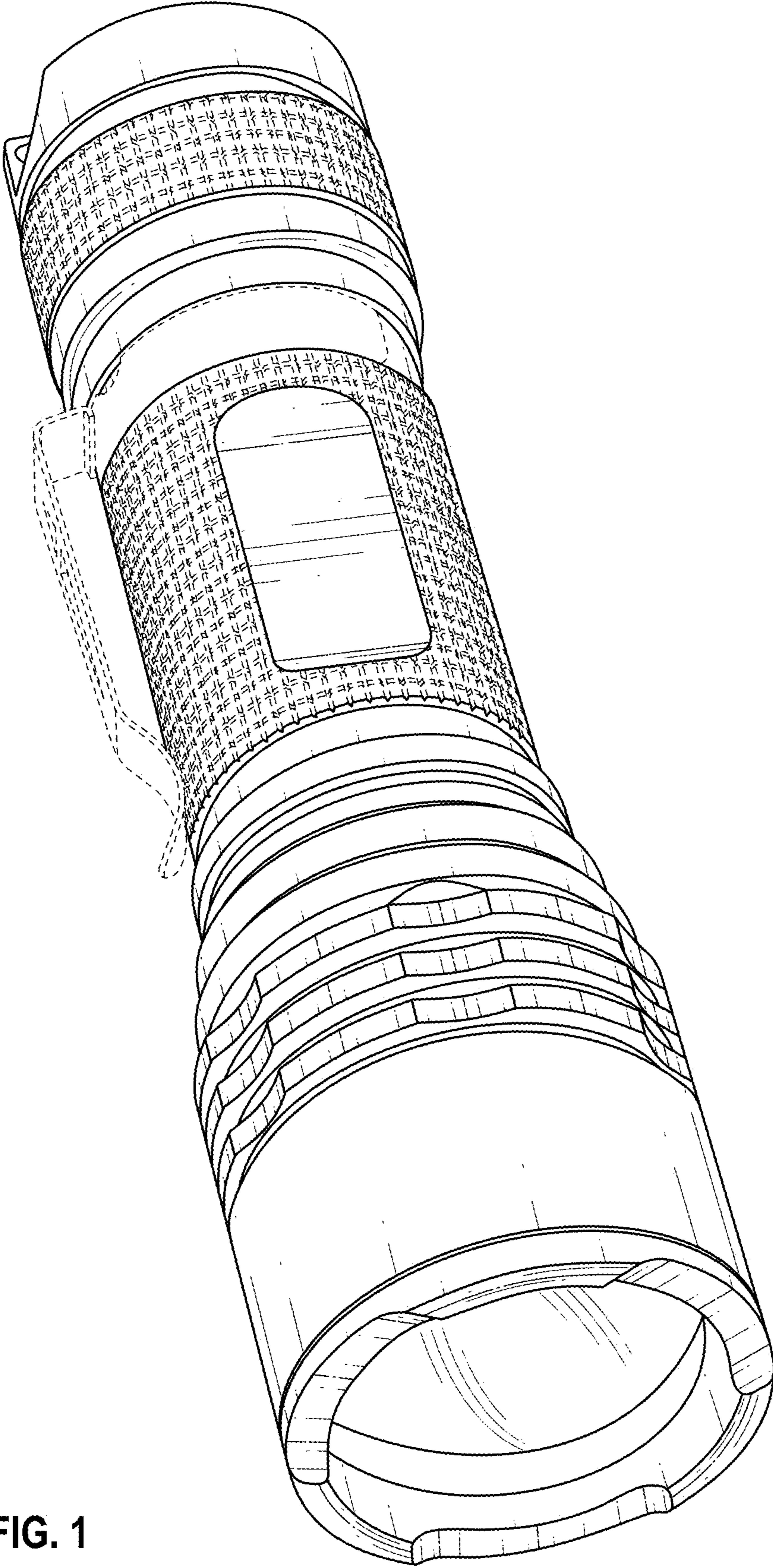


FIG. 1

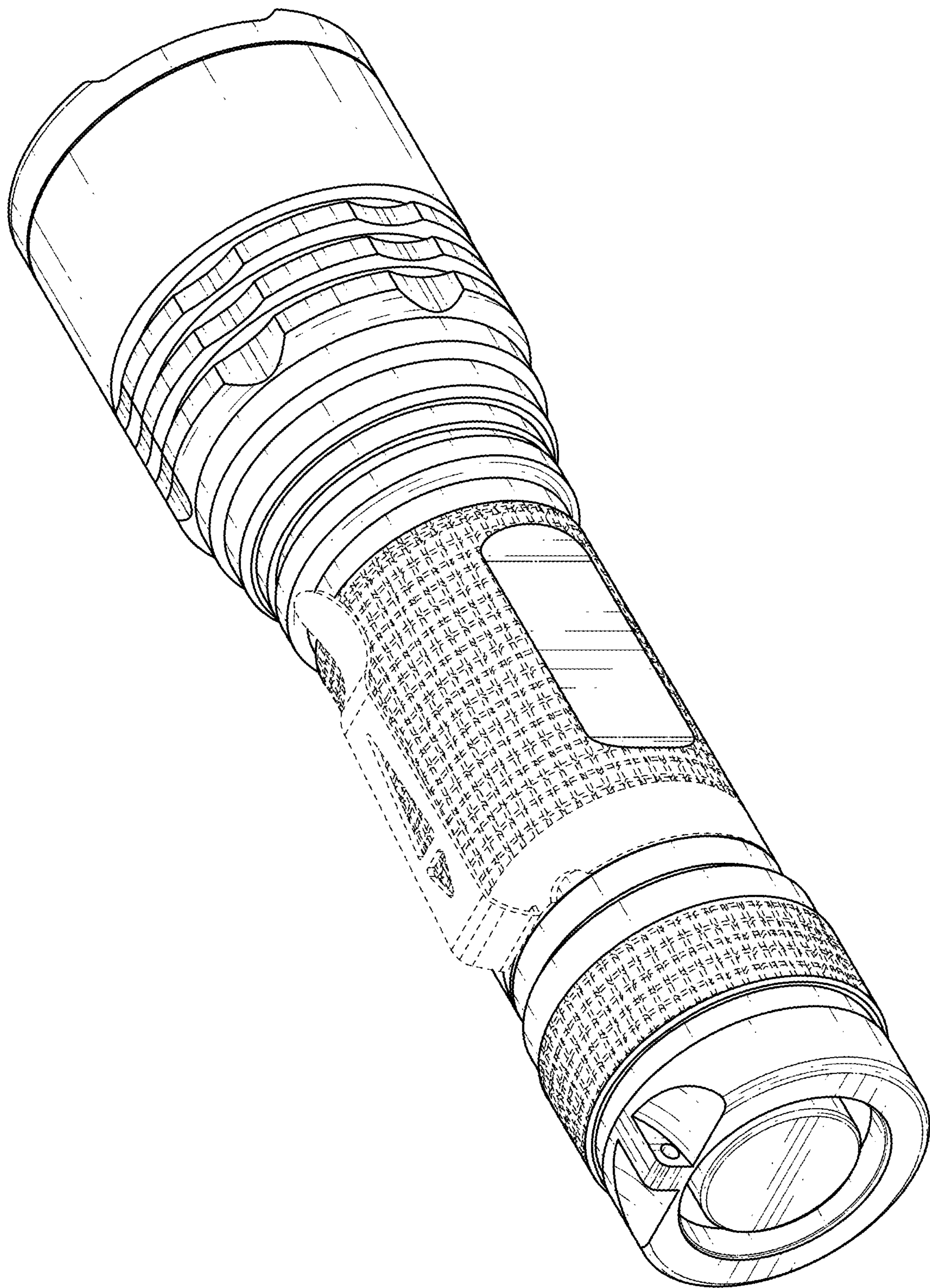


FIG. 2

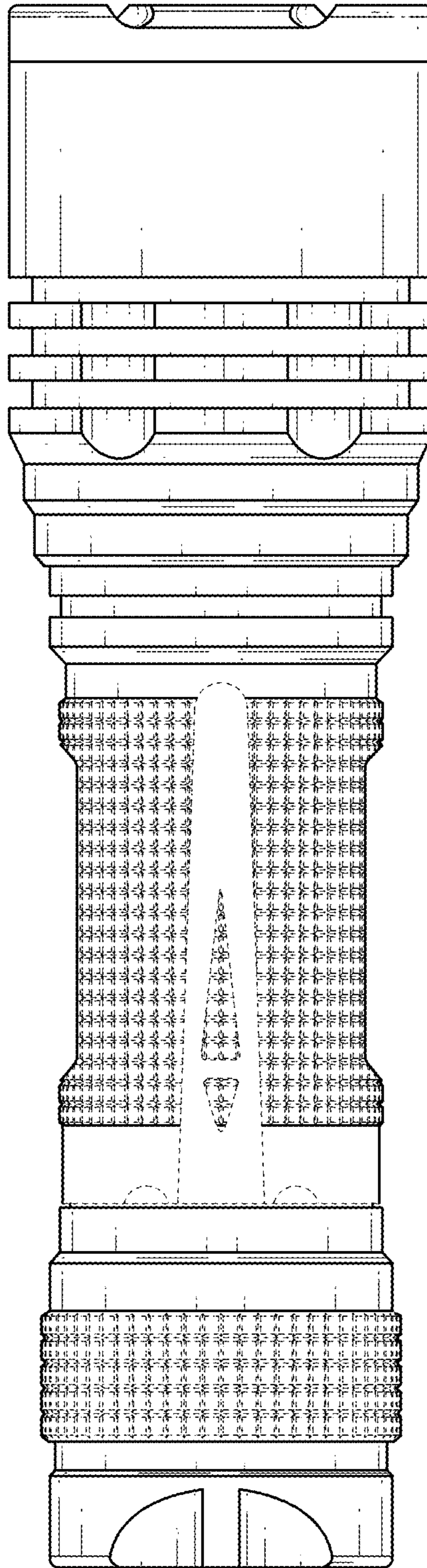


FIG. 3

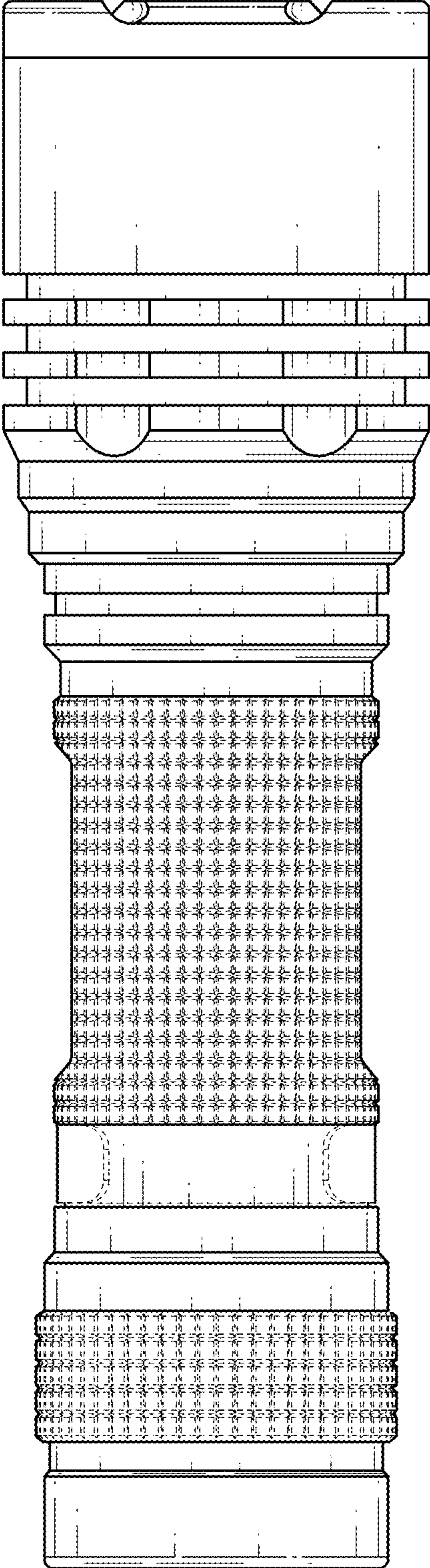


FIG. 4

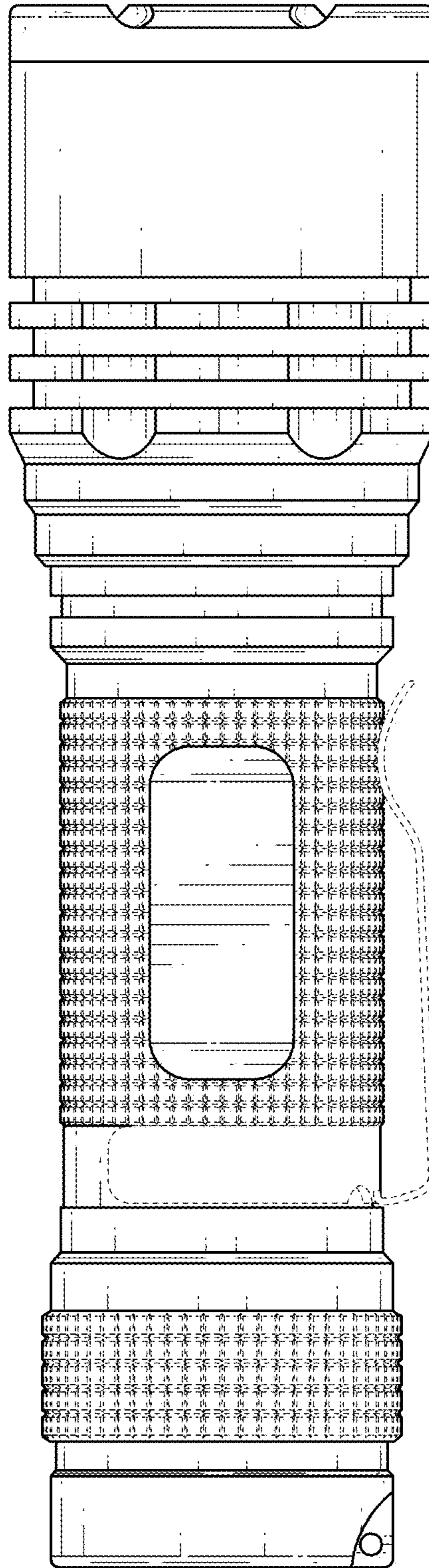


FIG. 5

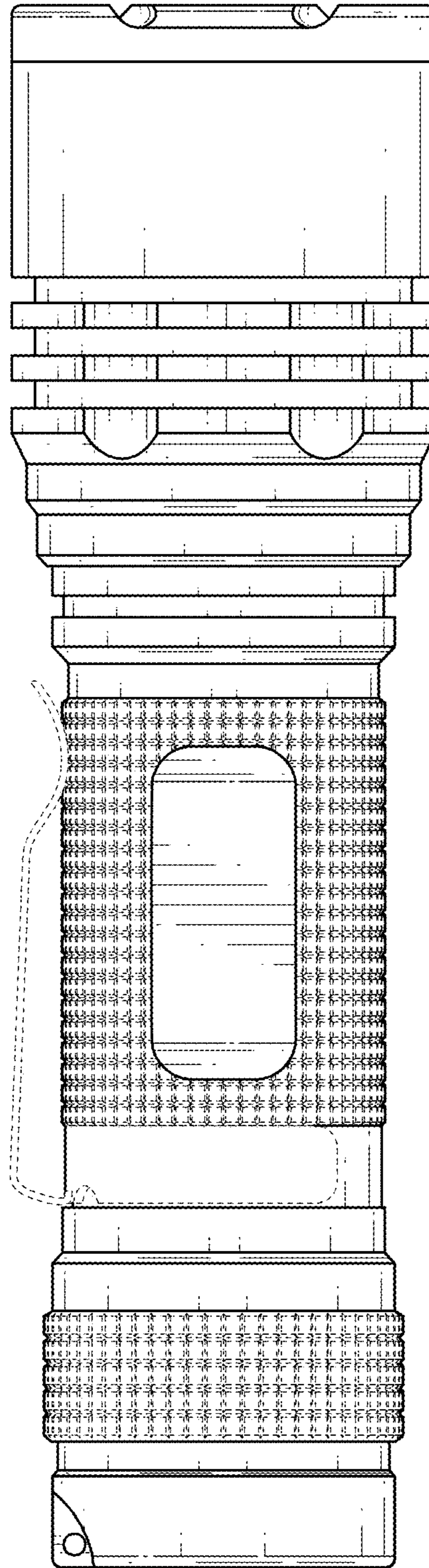


FIG. 6



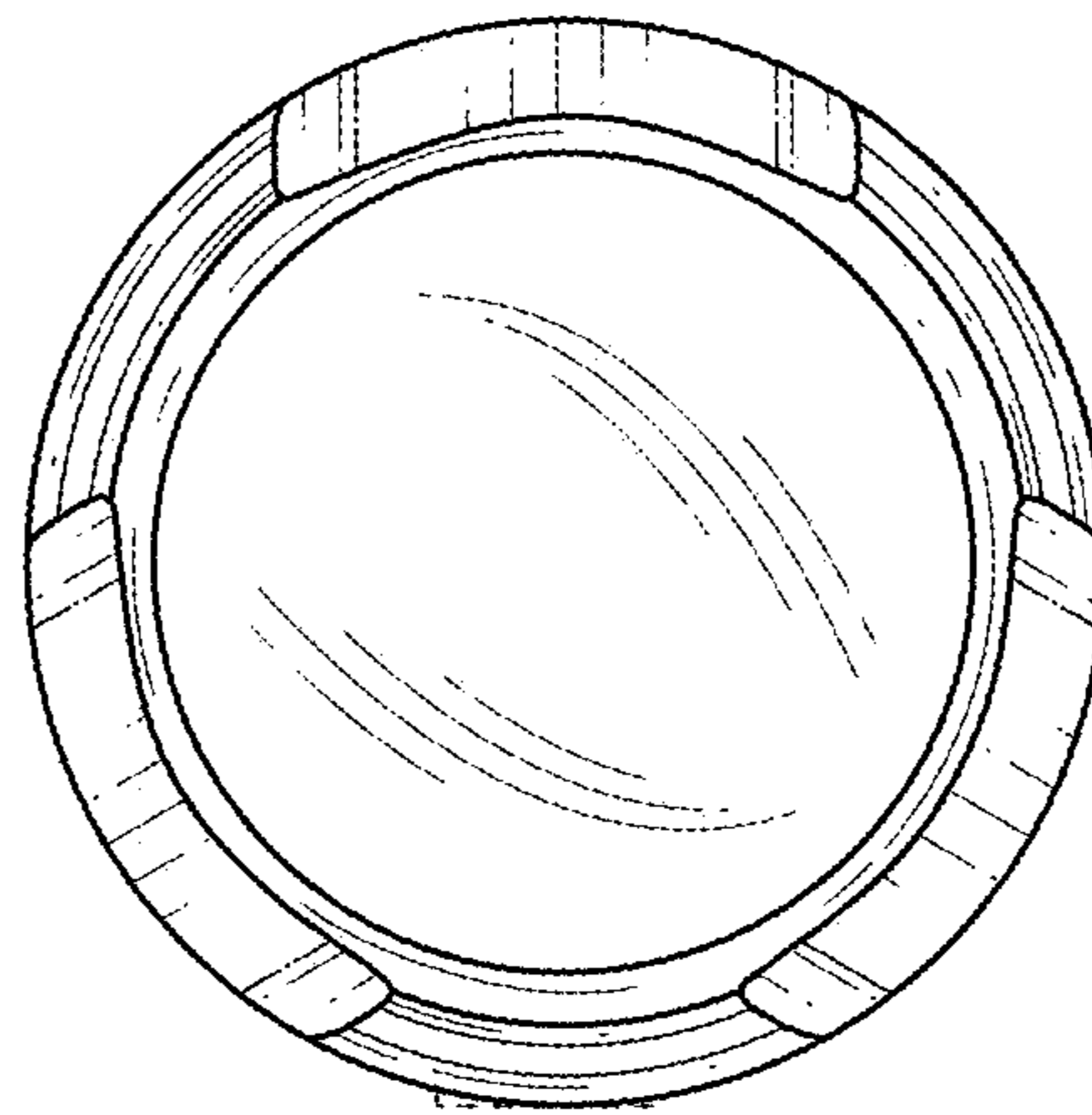


FIG. 7

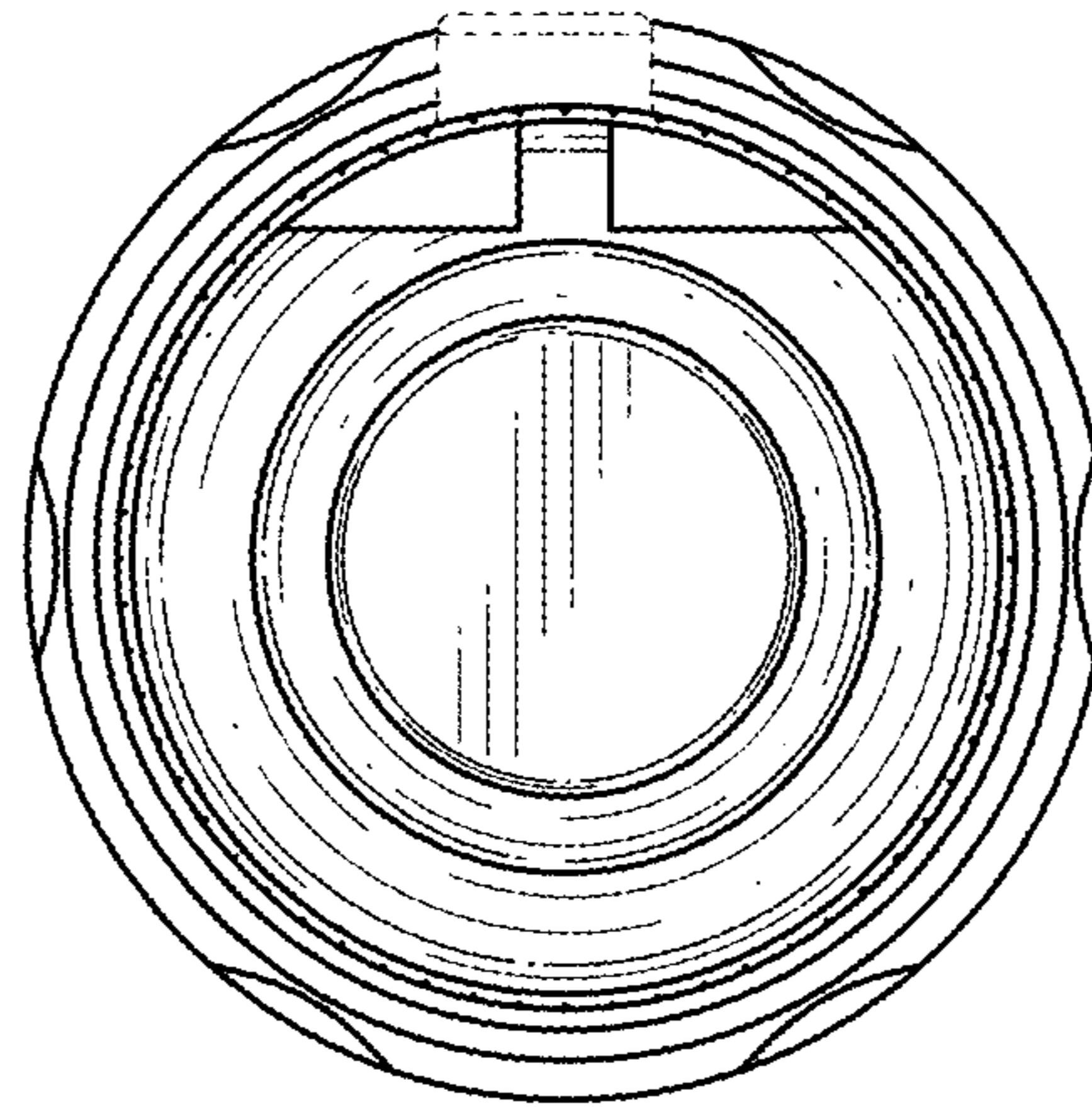


FIG. 8