



US00D897576S

(12) **United States Design Patent** (10) **Patent No.:** **US D897,576 S**
Yan (45) **Date of Patent:** **** Sep. 29, 2020**

(54) **MOTORCYCLE TURN SIGNAL**
(71) Applicant: **Riqin Yan**, Guangzhou (CN)
(72) Inventor: **Riqin Yan**, Guangzhou (CN)
(**) Term: **15 Years**
(21) Appl. No.: **29/695,546**
(22) Filed: **Jun. 20, 2019**
(51) **LOC (12) Cl.** **26-06**
(52) **U.S. Cl.**
USPC **D26/30**
(58) **Field of Classification Search**
USPC D10/109.1-111; D26/28, 29, 30
CPC B62J 6/05; B62J 6/052-057
See application file for complete search history.

(56) **References Cited**
U.S. PATENT DOCUMENTS
D119,865 S * 4/1940 McCarthy D26/30
D119,866 S * 4/1940 McCarthy D26/30
D157,028 S * 1/1950 Carlson D26/30
D213,064 S * 12/1968 Kahn D26/28
D531,330 S * 10/2006 Takabatake D26/28
D587,827 S * 3/2009 Tsukui D26/28
D593,234 S * 5/2009 Matsumura D26/30
D602,184 S * 10/2009 Wu D26/28
D836,804 S * 12/2018 Zylinski D26/28
D866,819 S * 11/2019 Shih D26/28

OTHER PUBLICATIONS
Innoglow Motorcycle Turn Signals Lights 12V Universal Motor-
bike Turn Signal Indicator Blinker Amber Light Lamp for Yamaha
Honda Suzuki Kawasaki (2 PCS), <https://www.amazon.com/>

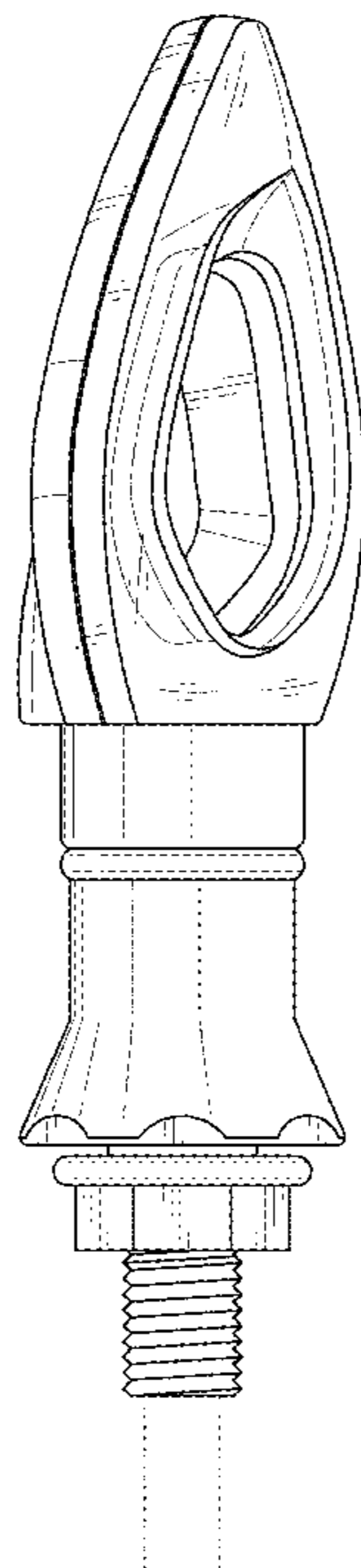
INNOGLOW-Motorcycle-Universal-Motorbike-Indicator/dp/
B01M03INZO/ref=sr_1_5?m=A1VYVVDU2DL8FII&marketplaceID=
ATVPDKIKX0DER&qid=1559556044&s=merchant-items&sr=1-
5.

* cited by examiner
Primary Examiner — George D. Kirschbaum
Assistant Examiner — Joseph J Kukella
(74) *Attorney, Agent, or Firm* — Cynthia Flanigan; Wayne
V. Harper

(57) **CLAIM**
I claim, the ornamental design for a motorcycle turn signal,
as shown and described.

DESCRIPTION
FIG. 1 is a Perspective view of a motorcycle turn signal
showing my new design;
FIG. 2 is a Back view of the motorcycle turn signal as shown
in FIG. 1;
FIG. 3 is a Front view of the motorcycle turn signal as shown
in FIG. 1;
FIG. 4 is a Right-side view of the motorcycle turn signal as
shown in FIG. 1;
FIG. 5 is a Left-side view of the motorcycle turn signal as
shown in FIG. 1;
FIG. 6 is a Top view of the motorcycle turn signal as shown
in FIG. 1; and,
FIG. 7 is a Bottom view of the motorcycle turn signal as
shown in FIG. 1.
In the drawings, the broken lines depict environmental
subject matter only and form no part of the claimed design.

1 Claim, 6 Drawing Sheets



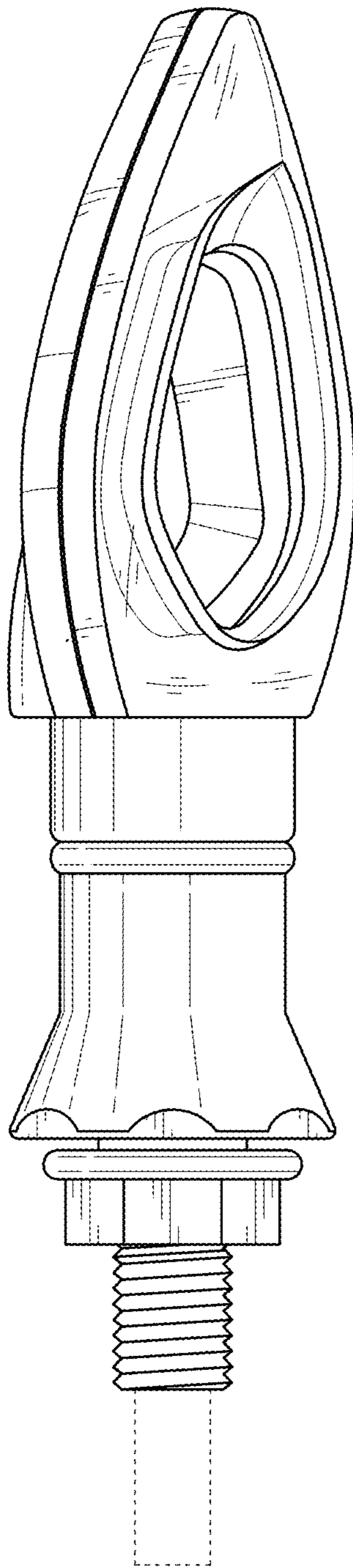


FIG. 1

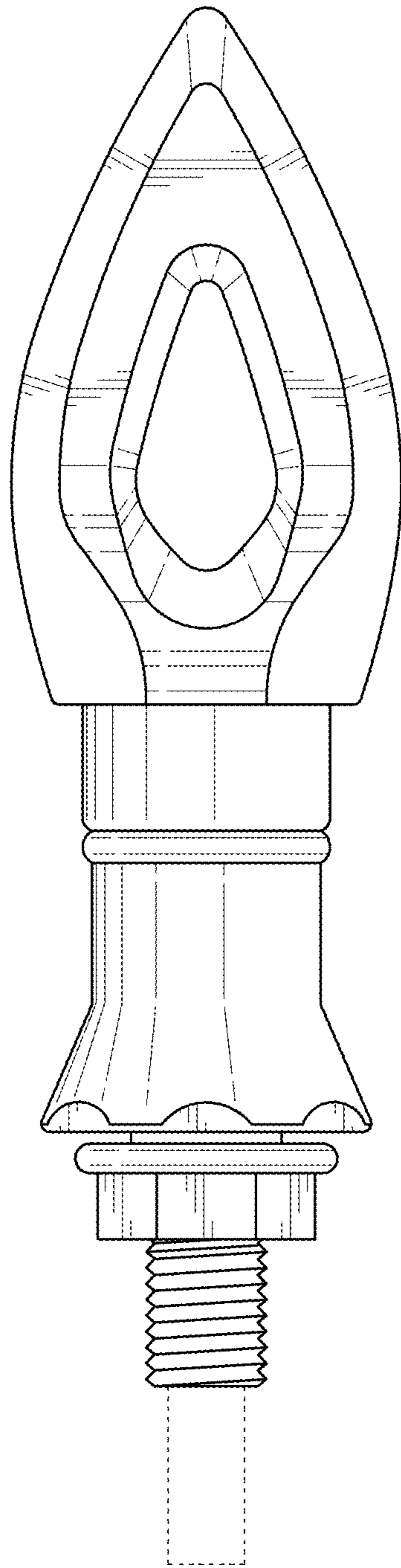


FIG. 2

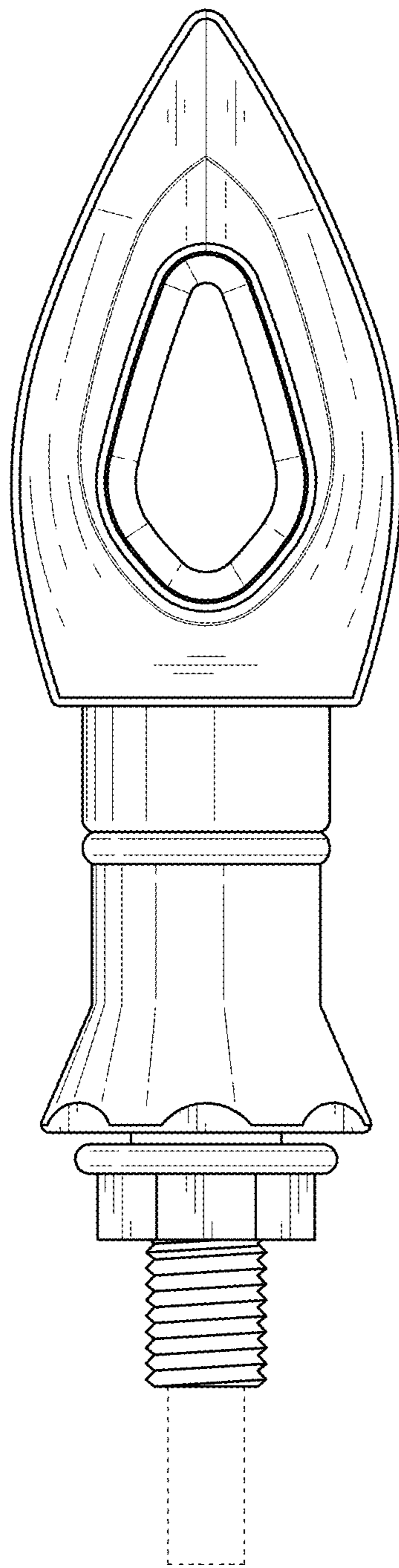


FIG. 3

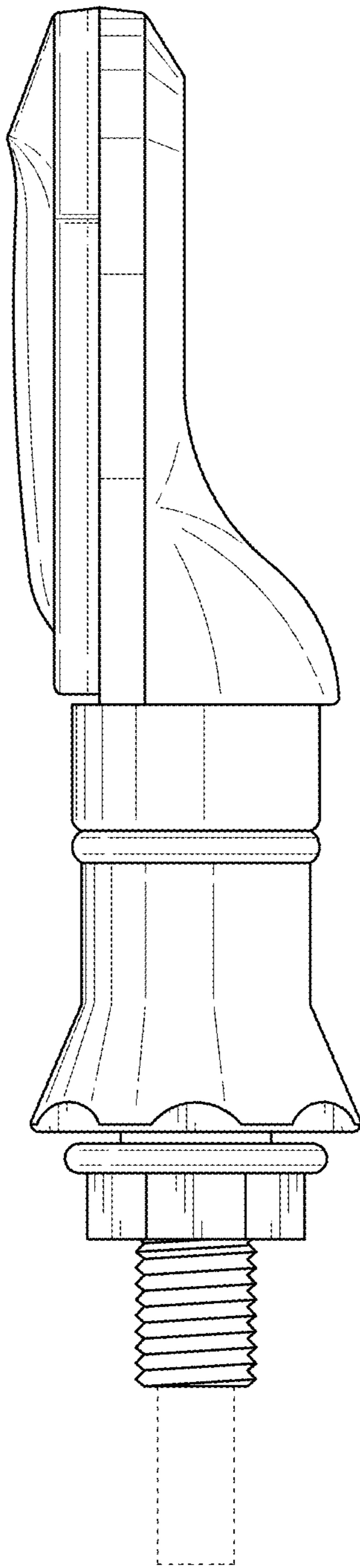


FIG. 4

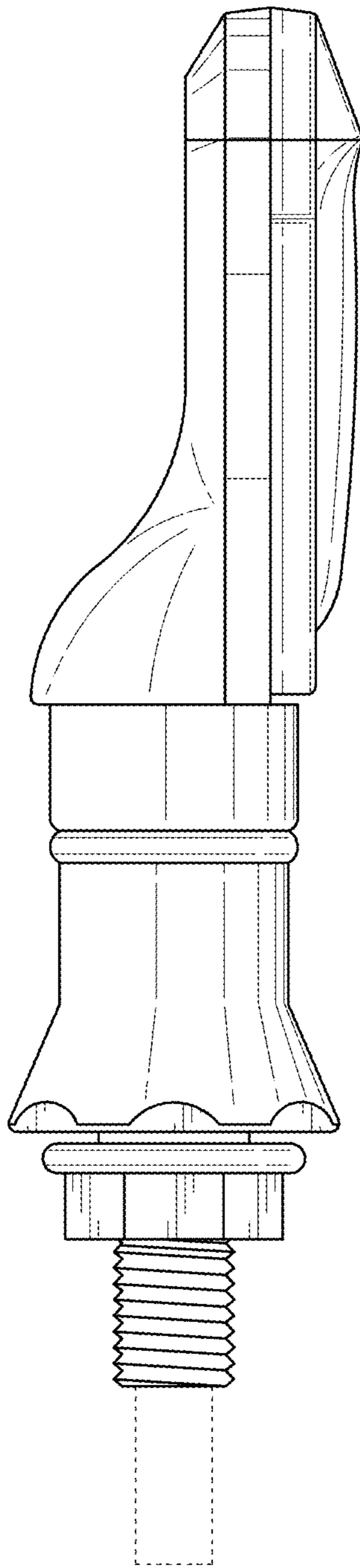


FIG. 5

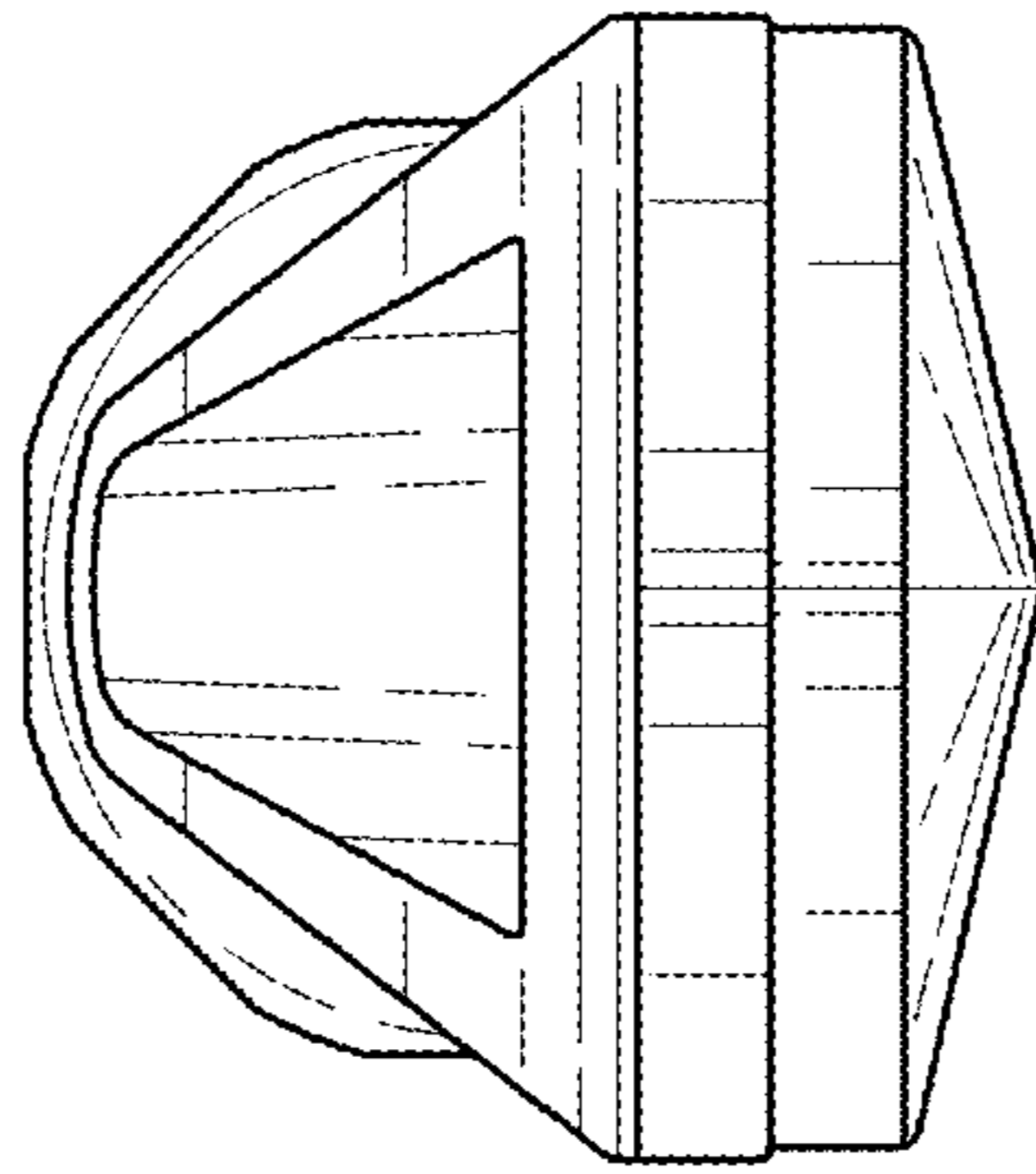


FIG. 6

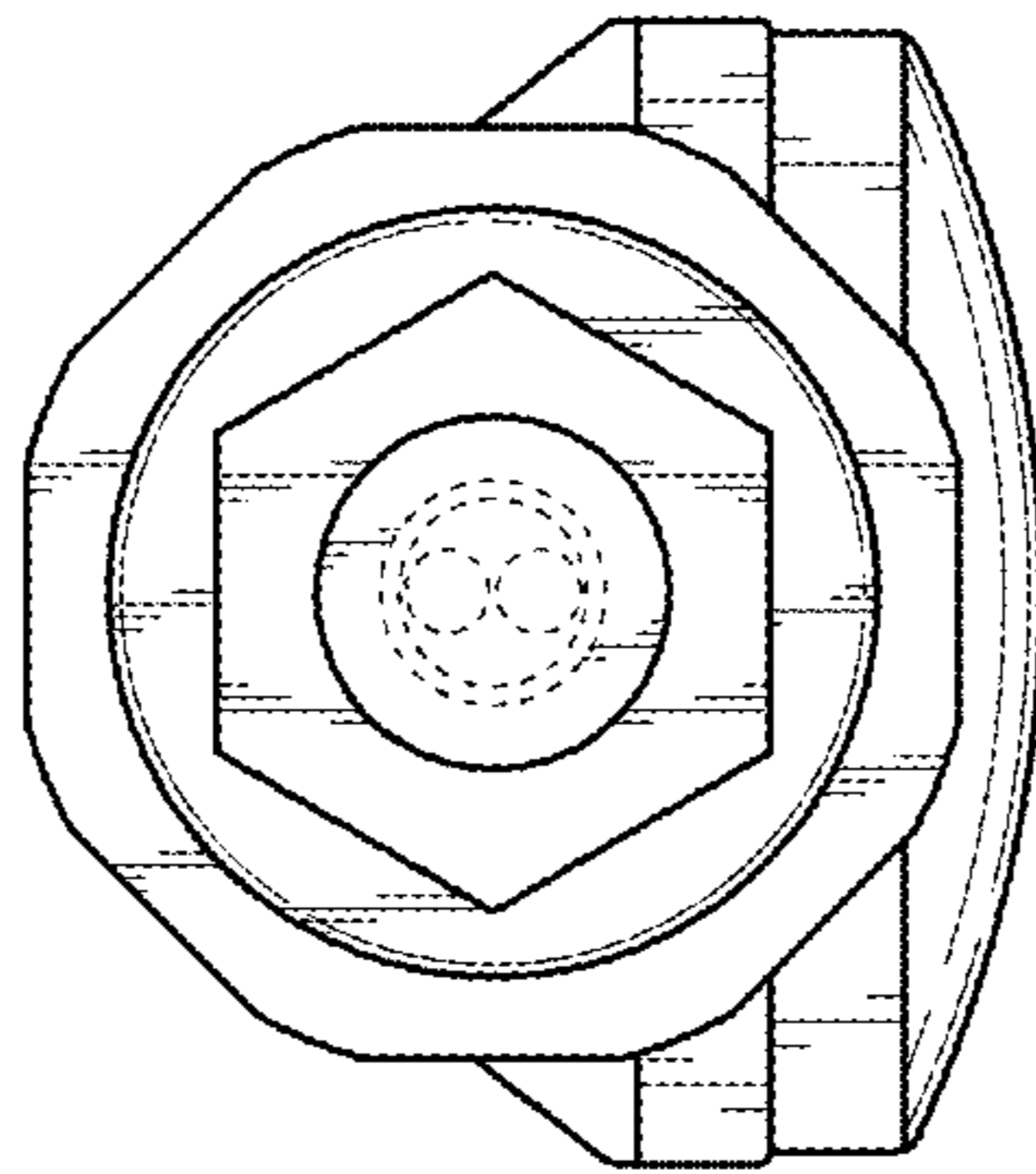


FIG. 7