

US00D897575S

(12) **United States Design Patent**
Manzoni

(10) **Patent No.:** **US D897,575 S**

(45) **Date of Patent:** **** Sep. 29, 2020**

(54) **CAR HEADLIGHT**

(71) Applicant: **FERRARI S.p.A.**, Modena (IT)

(72) Inventor: **Flavio Manzoni**, Maranello (IT)

(73) Assignee: **FERRARI S.P.A.**, Modena (IT)

(**) Term: **15 Years**

(21) Appl. No.: **35/507,034**

(22) Filed: **Jan. 4, 2019**

(80) **Hague Agreement Data**

Int. Filing Date: **Jan. 4, 2019**

Int. Reg. No.: **DM/201252**

Int. Reg. Date: **Jan. 4, 2019**

Int. Reg. Pub. Date: **Jul. 5, 2019**

(30) **Foreign Application Priority Data**

Jul. 4, 2018 (EM) 005401759

(51) **LOC (12) Cl.** **26-06**

(52) **U.S. Cl.**
USPC **D26/28**

(58) **Field of Classification Search**

USPC D26/28

CPC F21S 48/00; F21S 48/10; F21S 48/115;
F21S 48/225; F21S 48/1233; F21S
48/1266; F21S 48/1388; F21S 48/2266;
F21V 21/04; B60Q 1/30; B60Q 1/2607;
B60Q 1/2696; B62J 6/00; B62J 6/04

See application file for complete search history.

(56) **References Cited**

U.S. PATENT DOCUMENTS

D832,478 S * 10/2018 Ha D26/28
D842,505 S * 3/2019 Kim D26/28

D843,029 S * 3/2019 Lee D26/28
D843,030 S * 3/2019 Lee D26/28
D843,031 S * 3/2019 Yong D26/28
D843,032 S * 3/2019 Yong D26/28
D843,033 S * 3/2019 Kim D26/28
D846,779 S * 4/2019 Hwang D26/28
D855,225 S * 7/2019 Miyazawa D26/28
D858,821 S * 9/2019 Park D26/28
D869,714 S * 12/2019 Shim D26/35
D870,924 S * 12/2019 Trim D26/28
D874,042 S * 1/2020 Lee D26/28
D874,694 S * 2/2020 Lin D26/28

* cited by examiner

Primary Examiner — Natasha Vujcic

(74) *Attorney, Agent, or Firm* — Cowan, Liebowitz & Latman, P.C.; Anastasia Zhadina

(57) **CLAIM**

I claim, the ornamental design for a car headlight, as shown and described.

DESCRIPTION

1.-2. Car headlight

1.1 : Perspective

1.2 : Front

1.3 : First lateral view

1.4 : Second lateral view

1.5 : Back

1.6 : Top

1.7 : Bottom

2.1 : Perspective

2.2 : Front

2.3 : First lateral view

2.4 : Second lateral view

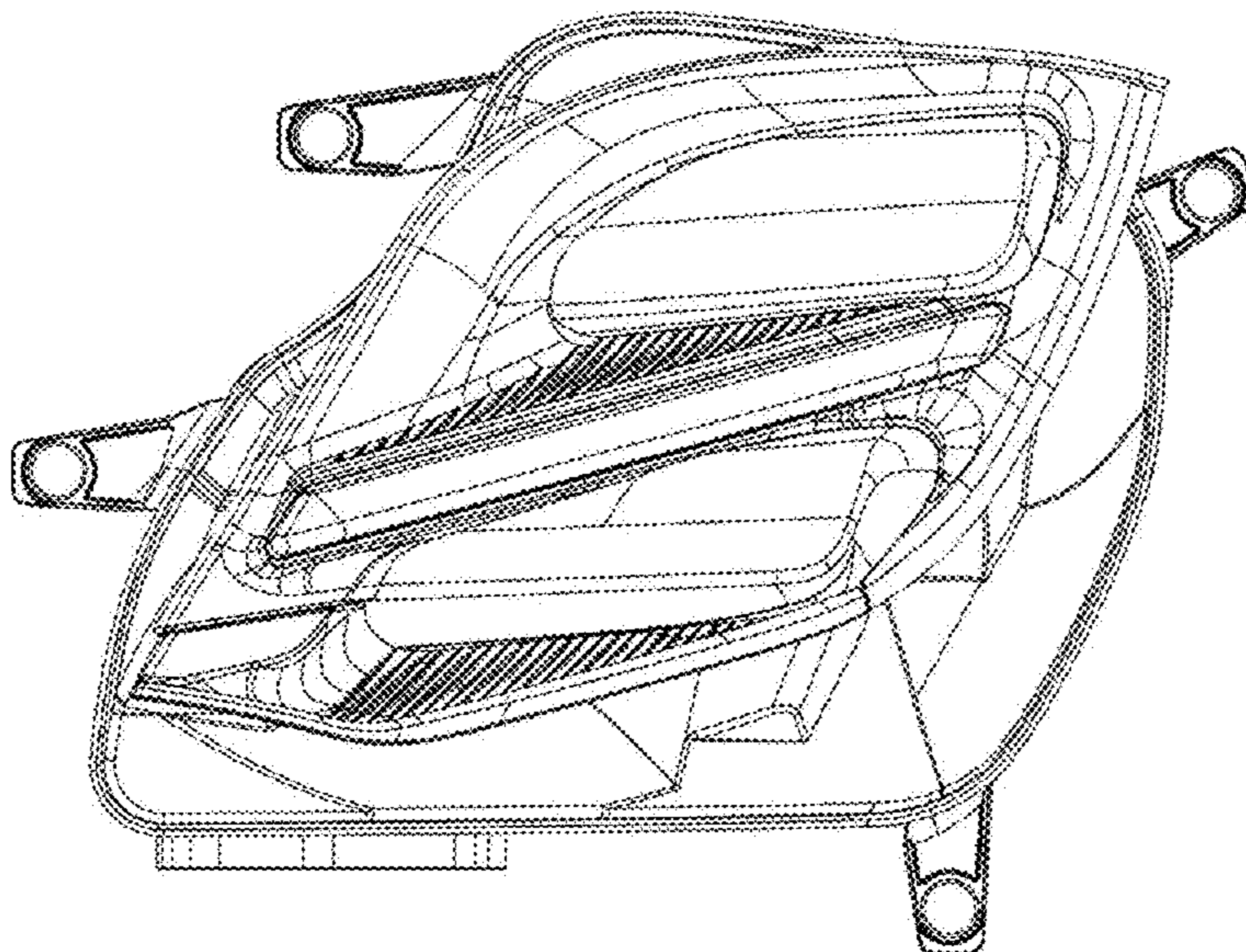
2.5 : Back

2.6 : Top

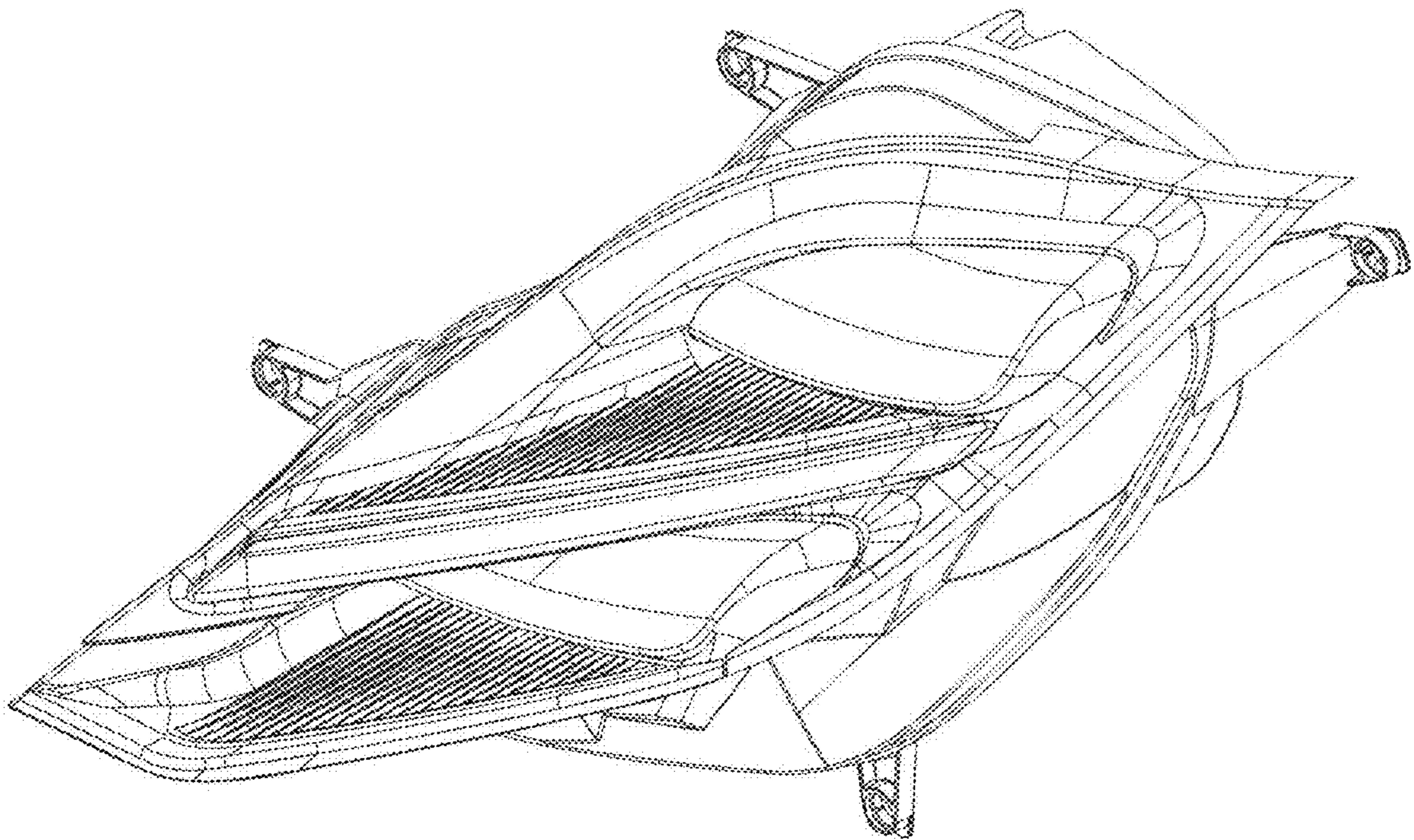
2.7 : Bottom

Portions of the car headlight shown in broken lines form no part of the claimed design.

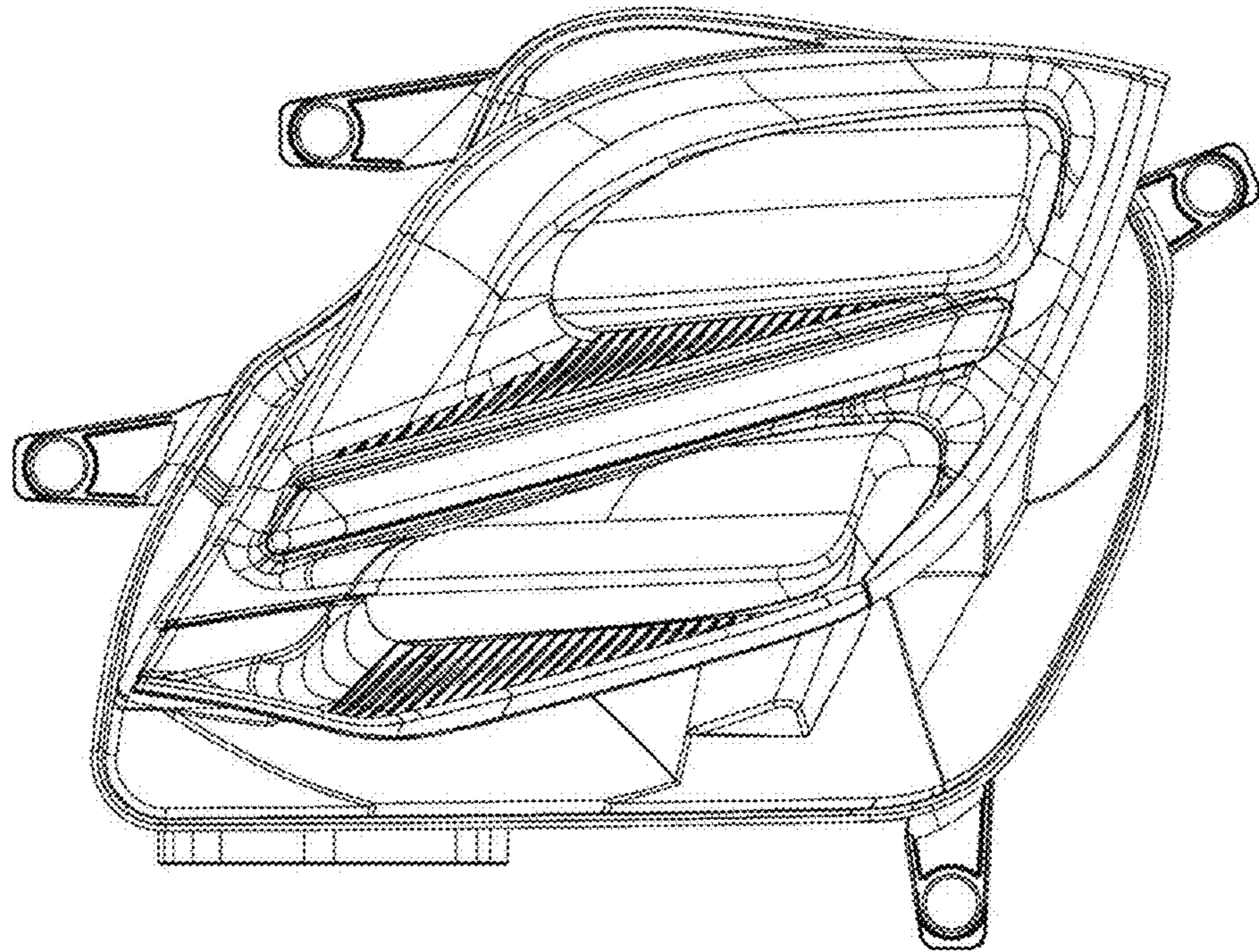
1 Claim, 14 Drawing Sheets



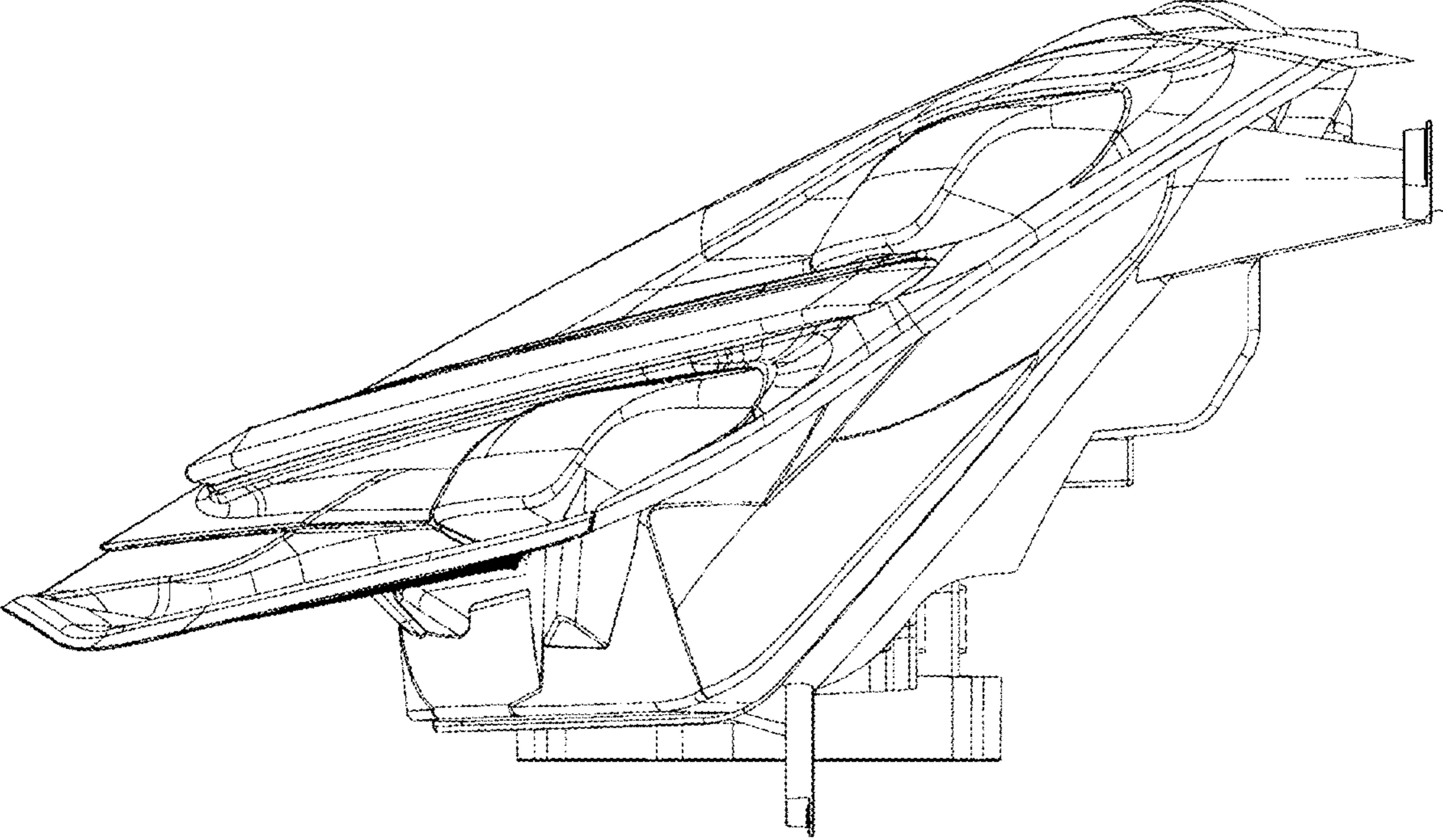
1.1



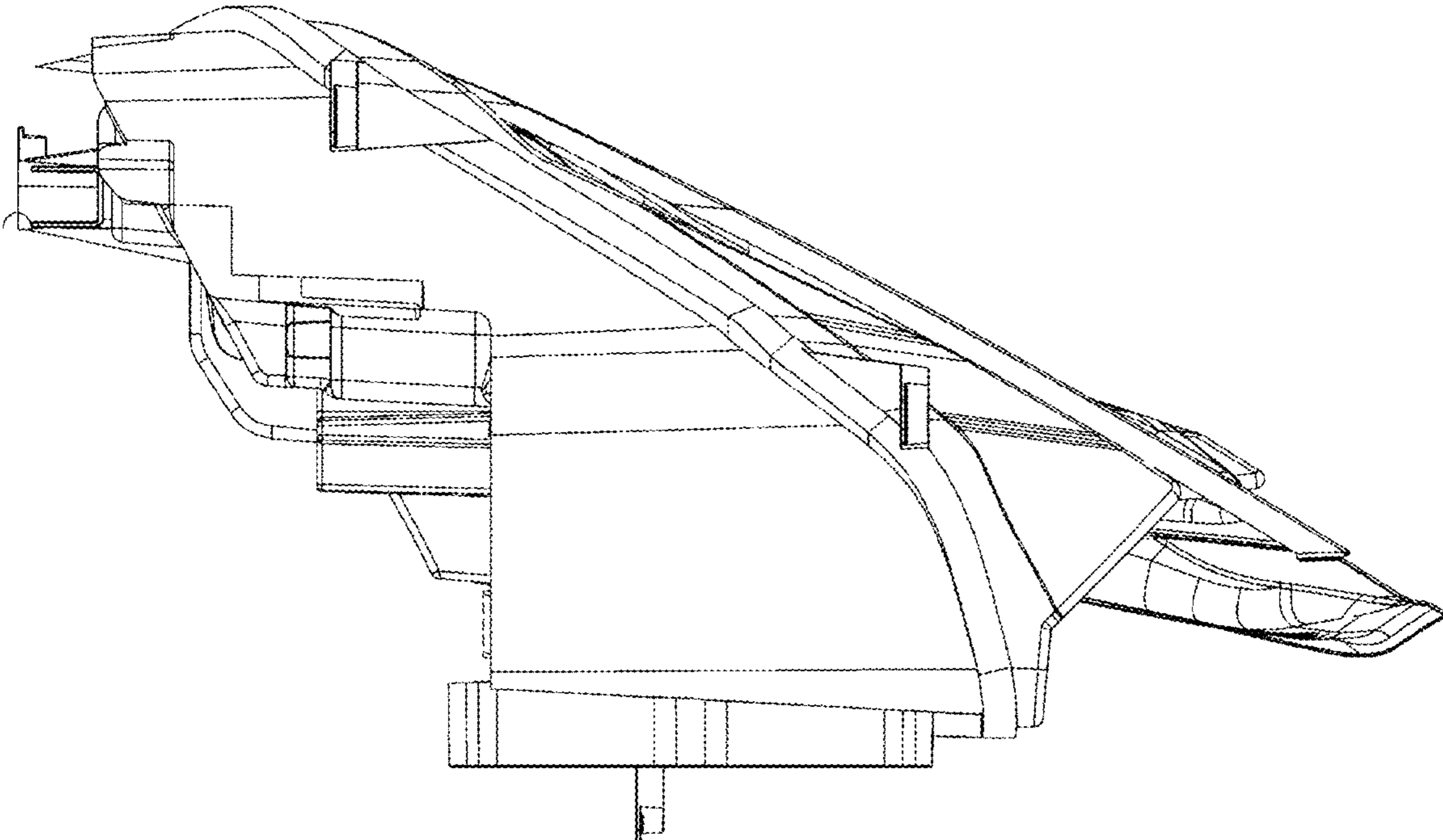
1.2



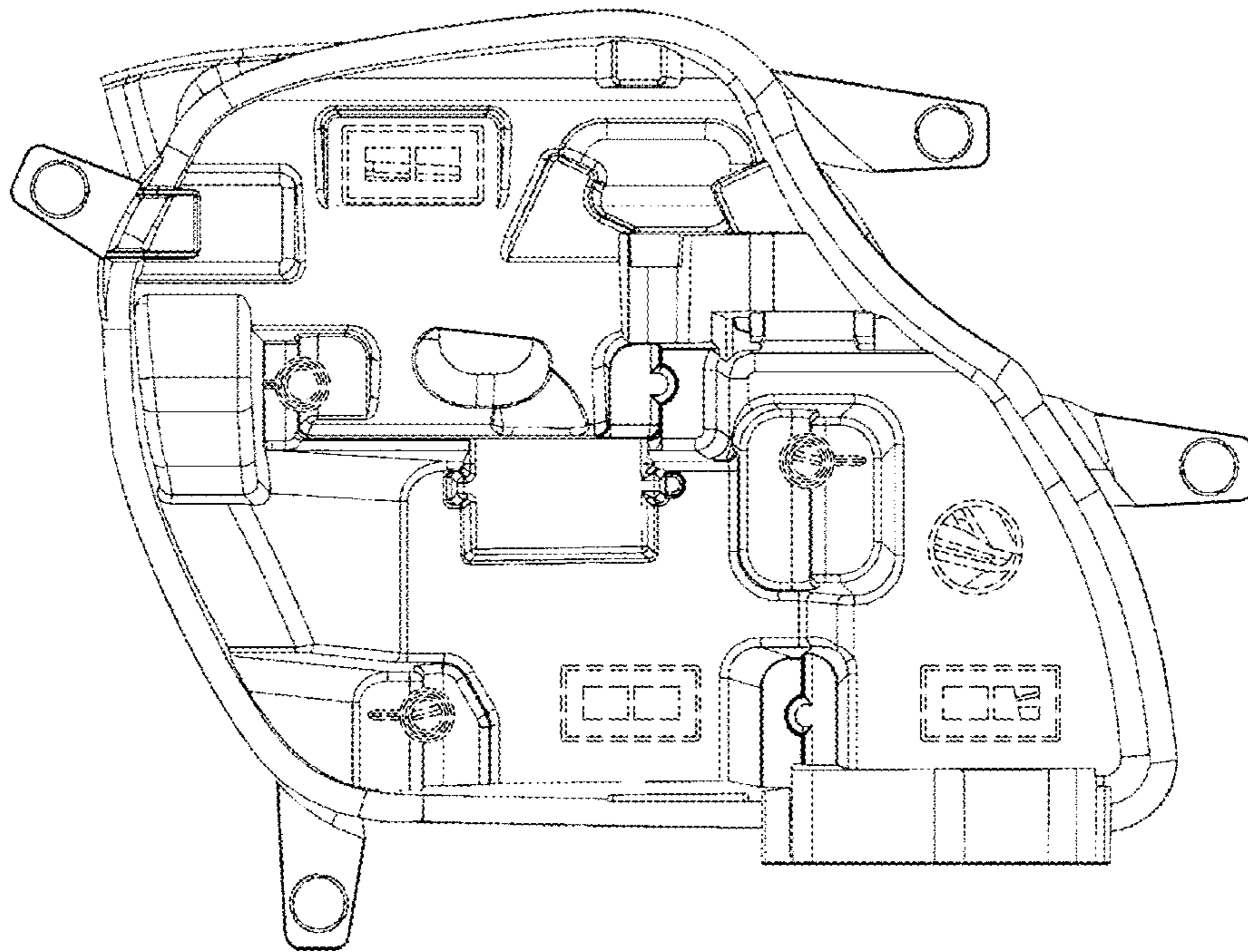
1.3



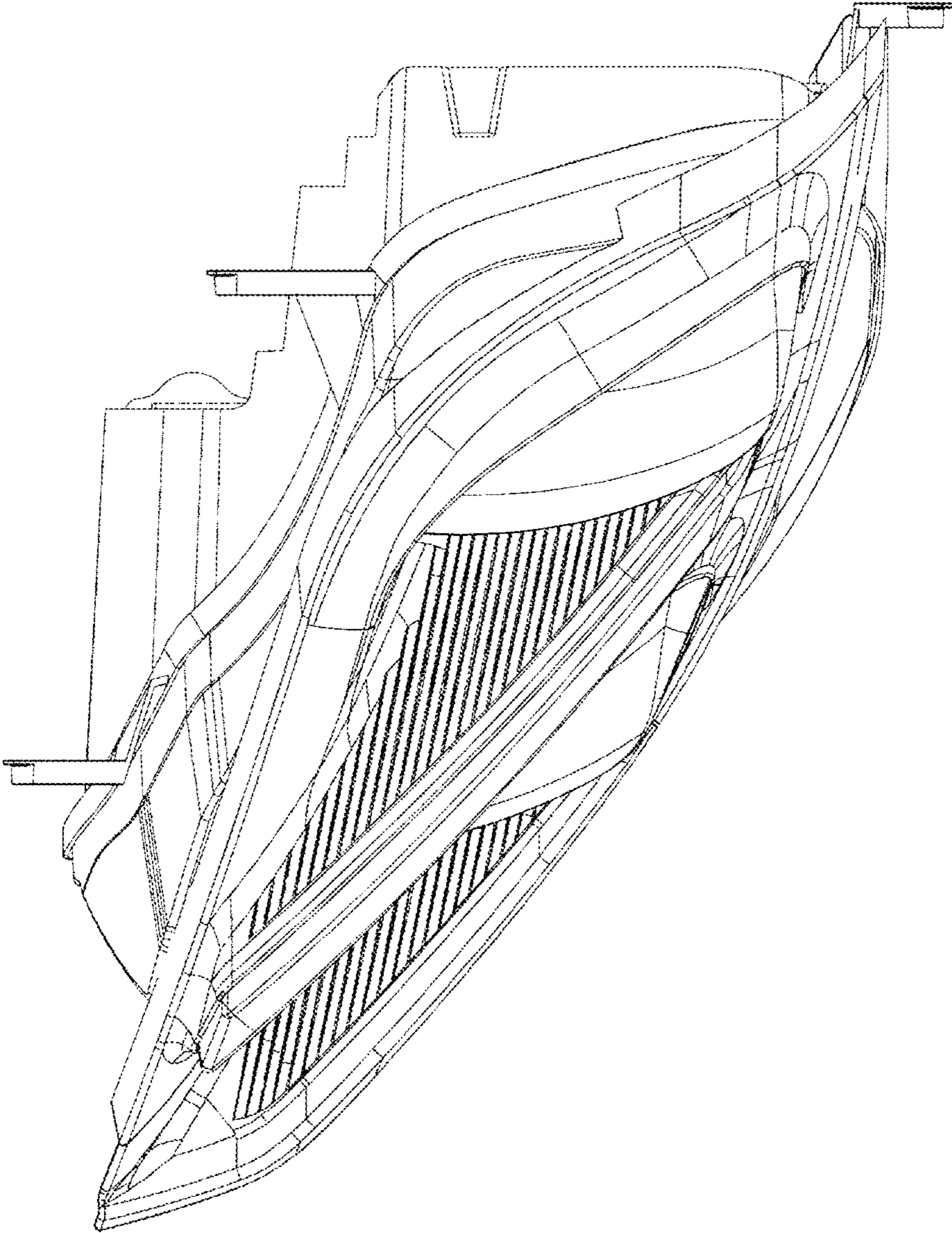
1.4



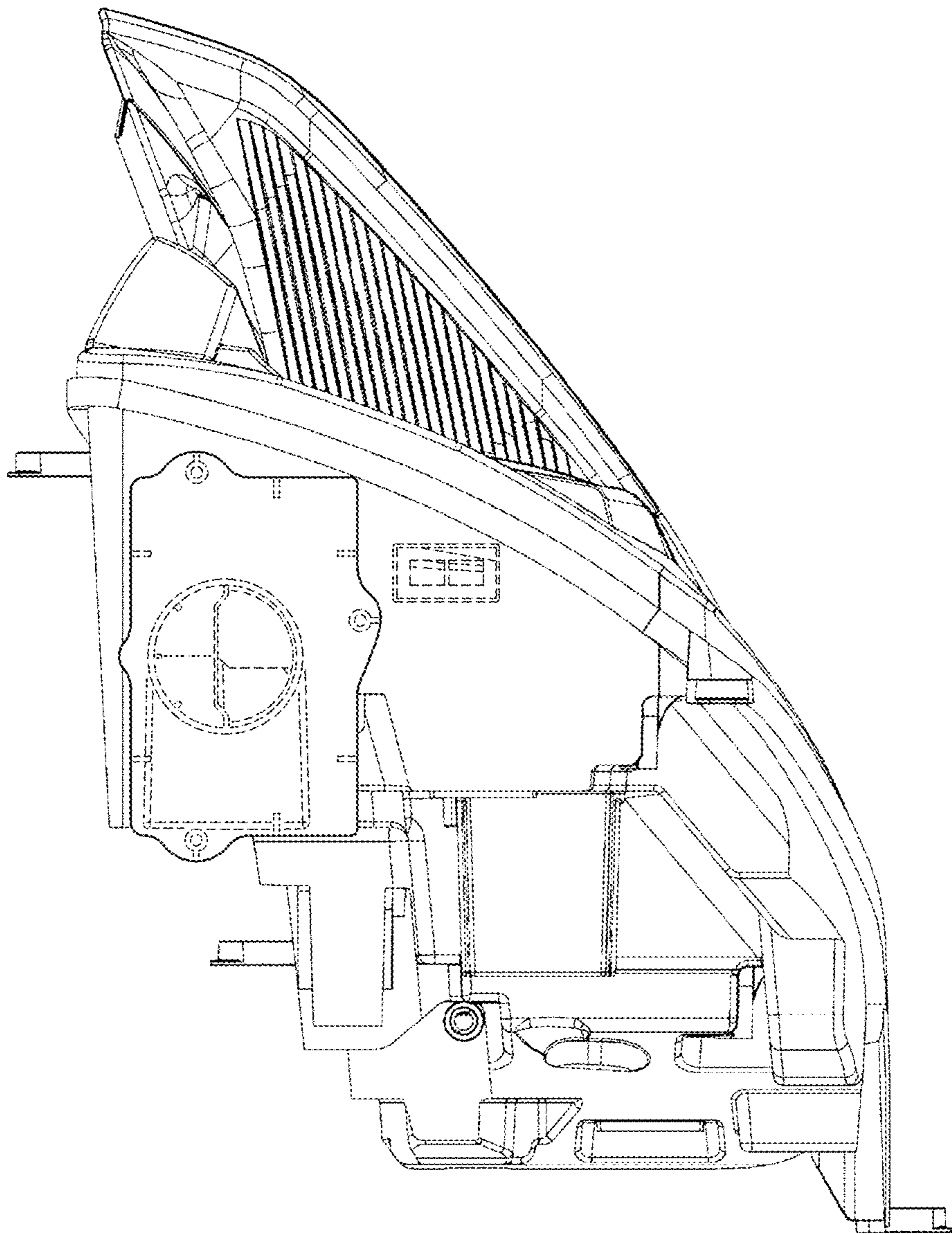
1.5



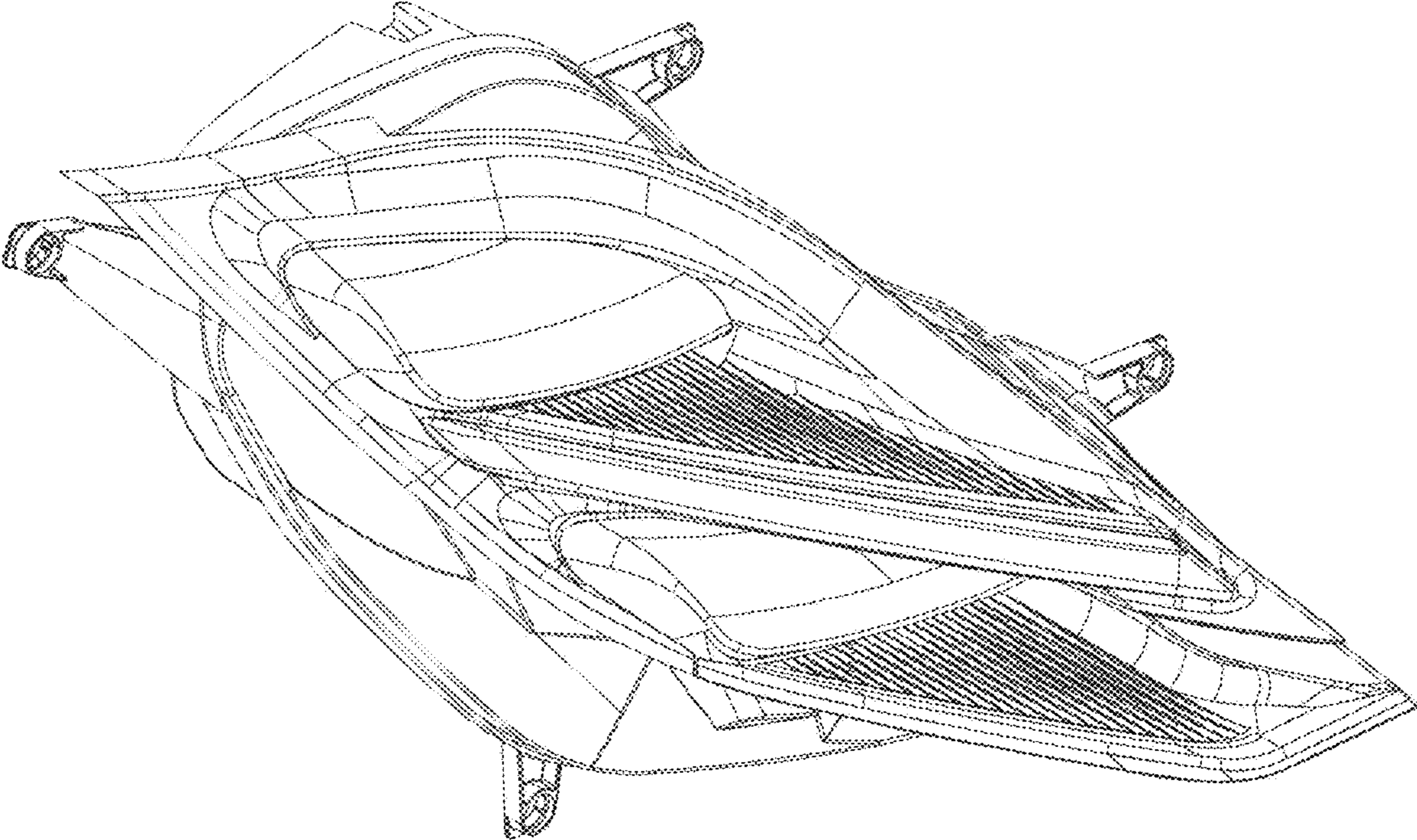
1.6



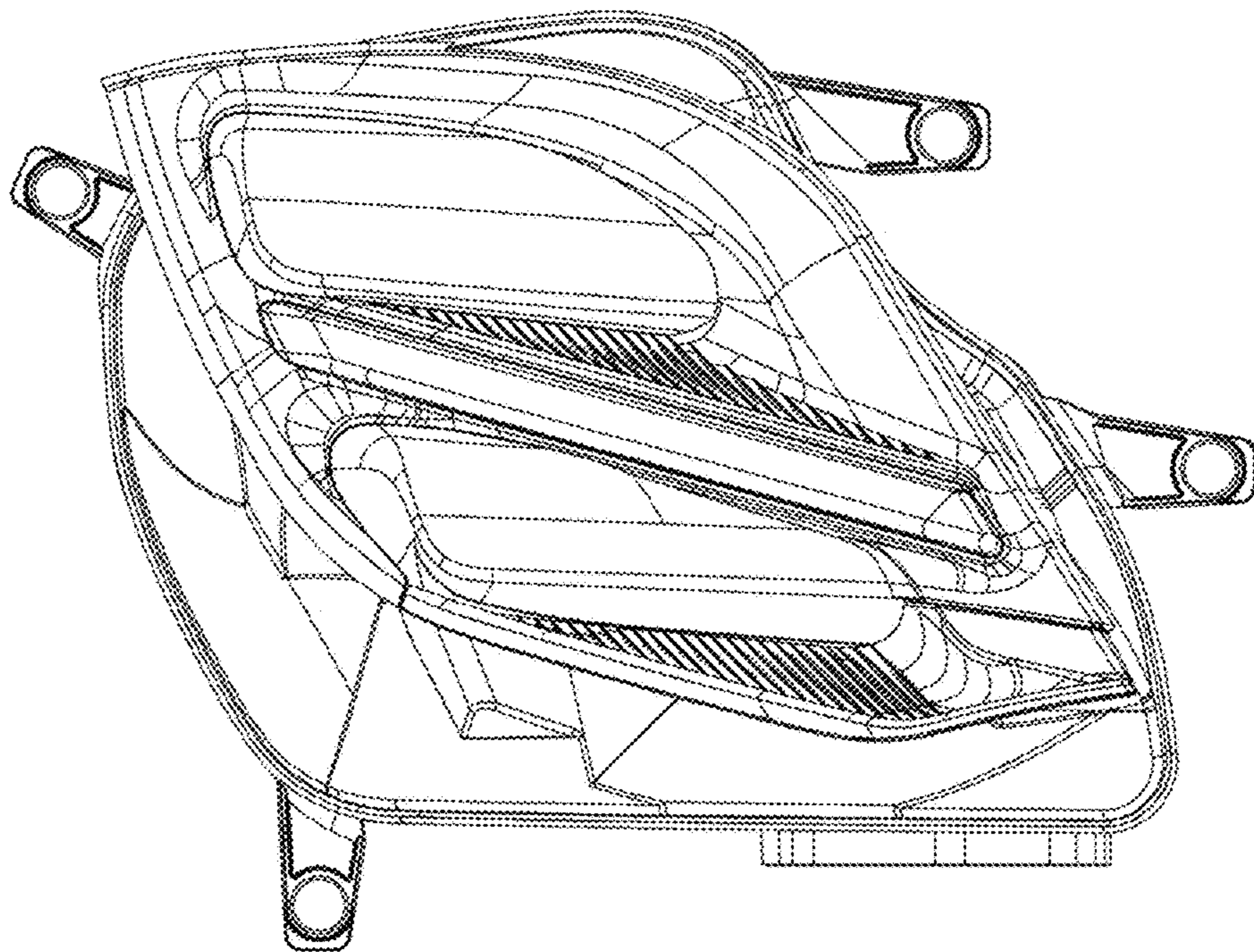
1.7



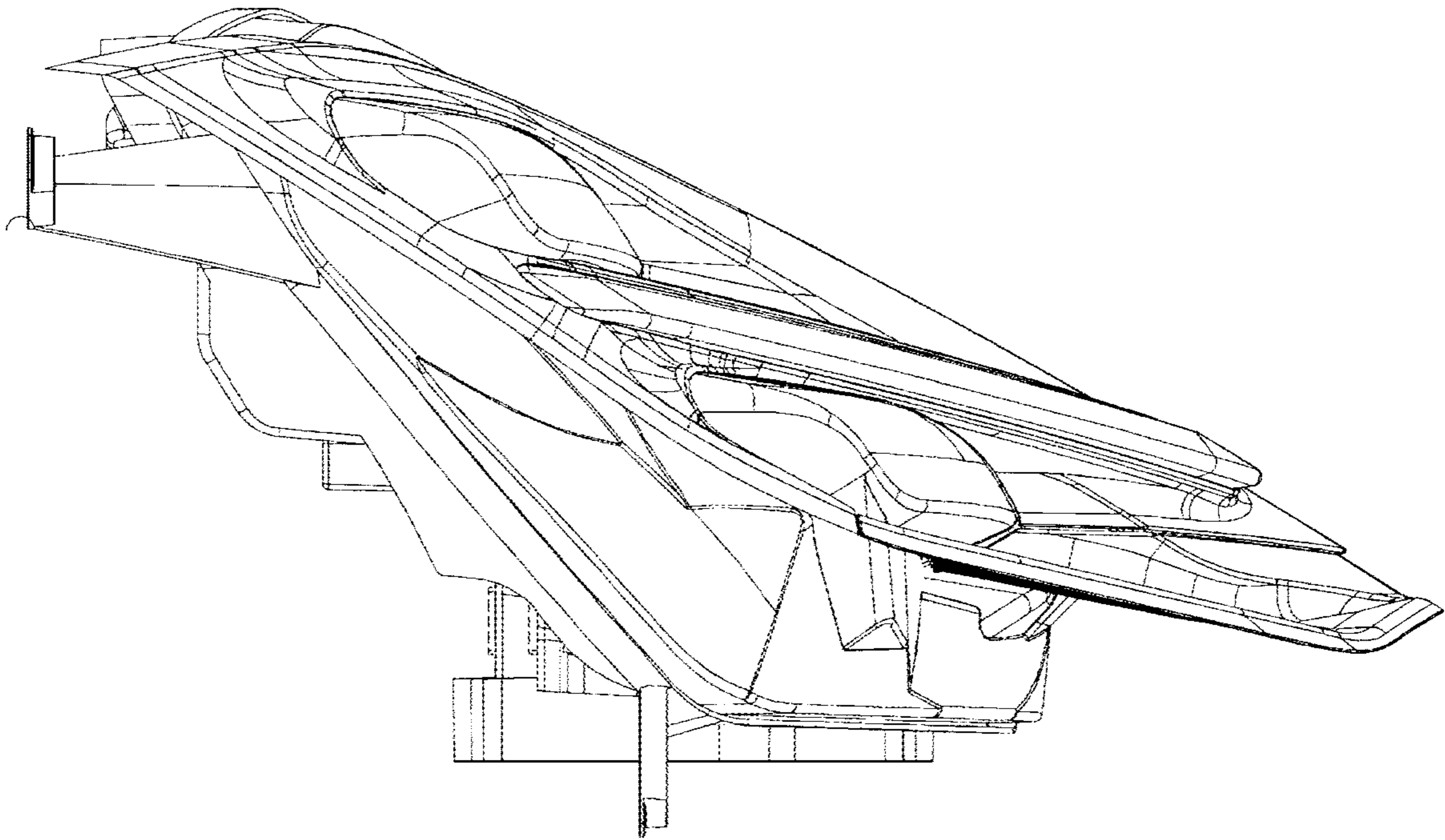
2.1



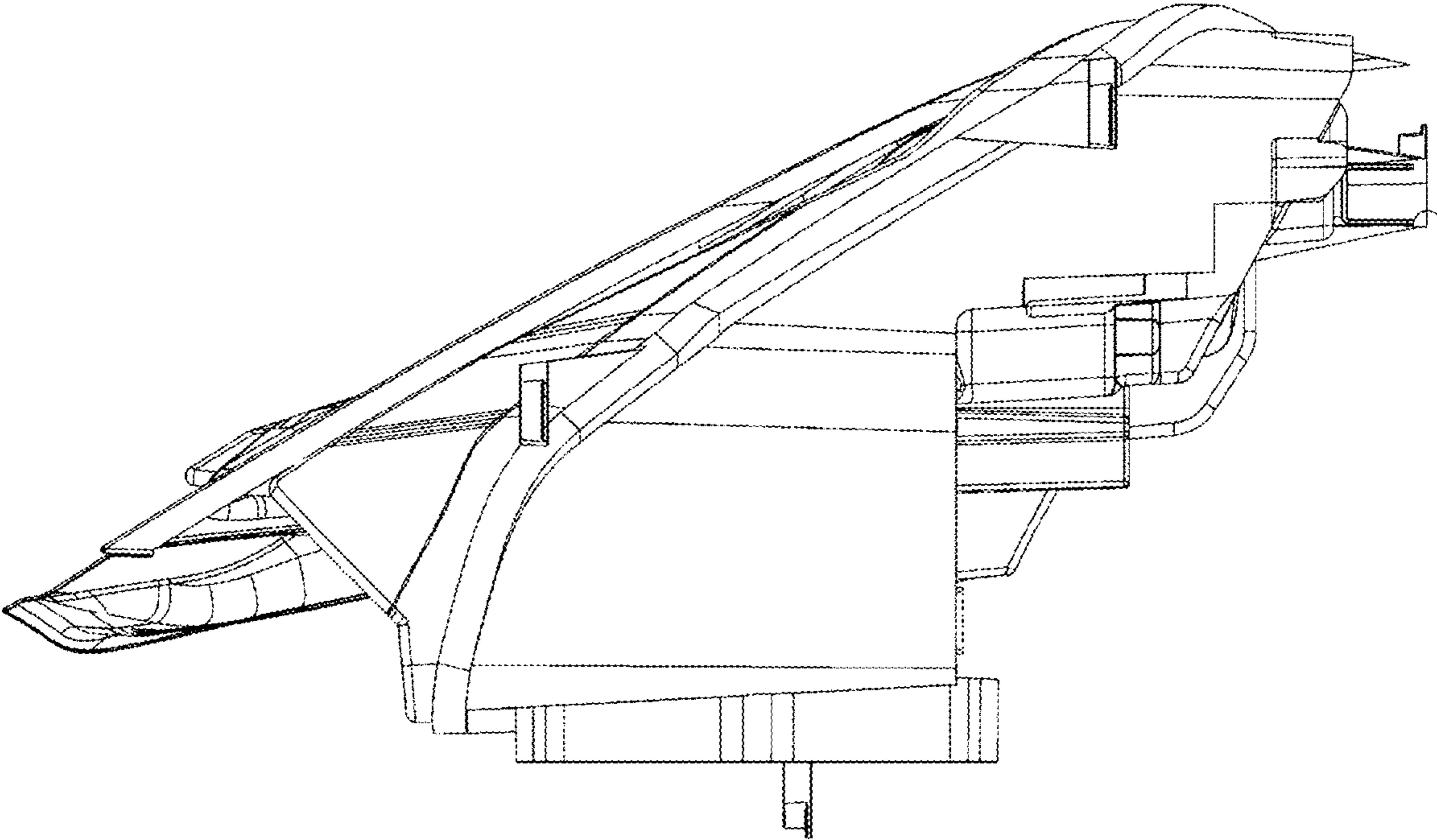
2.2



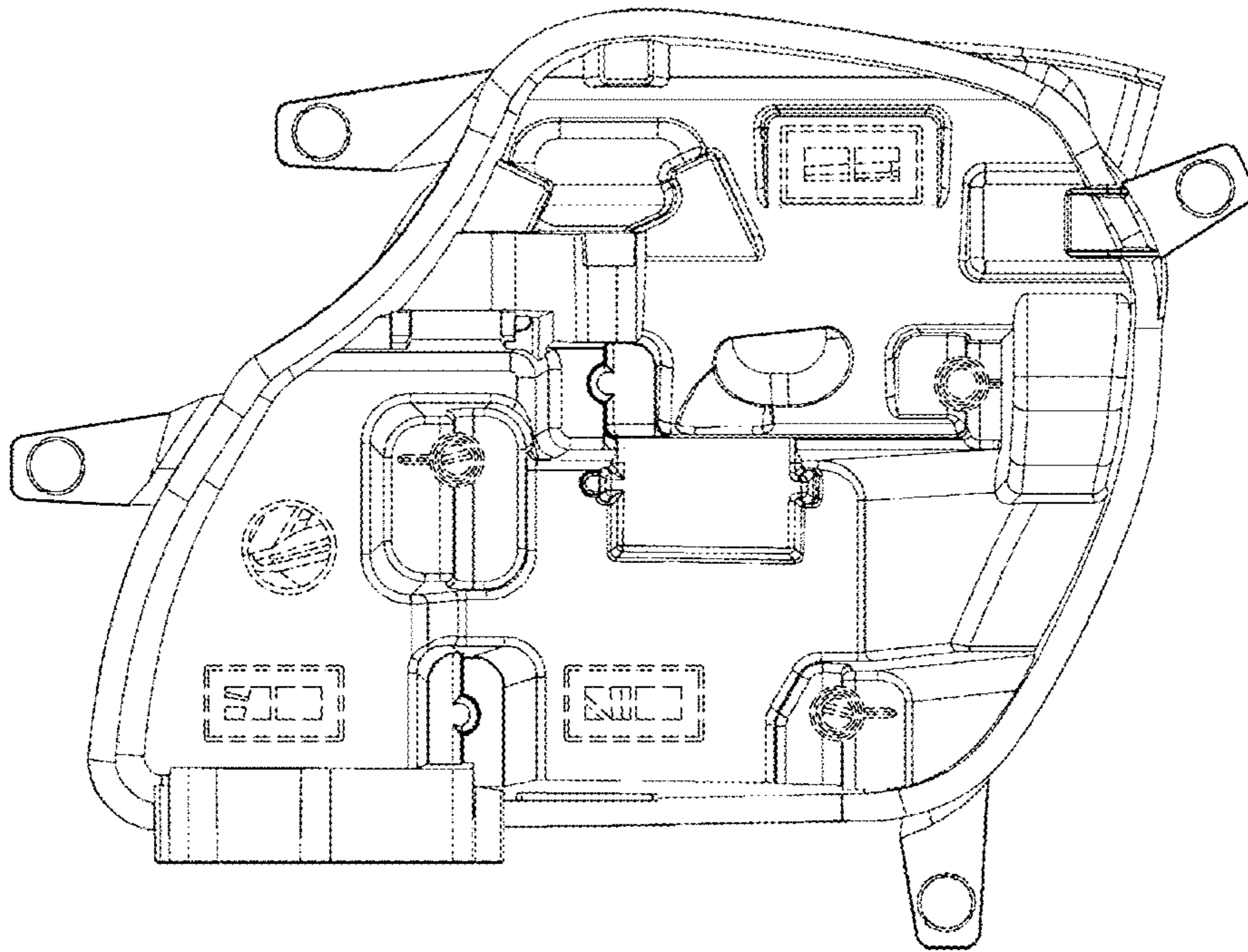
2.3



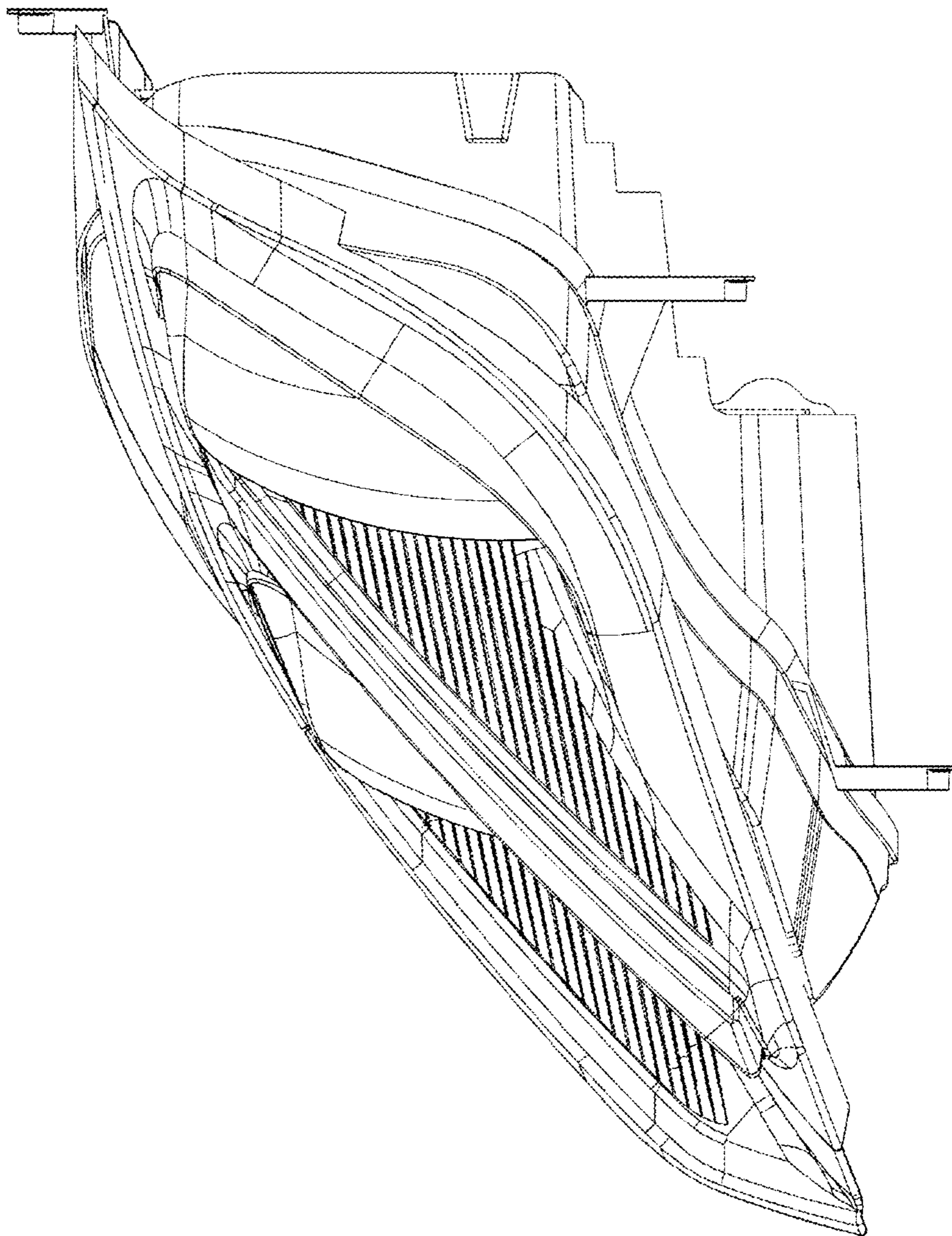
2.4



2.5



2.6



2.7

