



US00D897572S

(12) **United States Design Patent**
Wu

(10) **Patent No.:** **US D897,572 S**

(45) **Date of Patent:** **** Sep. 29, 2020**

(54) **LUMINOUS DEVICE FOR A VEHICLE LIGHT**

(71) Applicant: **COPLUS INC.**, Tainan (TW)

(72) Inventor: **Po-Hua Wu**, Tainan (TW)

(73) Assignee: **COPLUS INC.**, Tainan (TW)

(**) Term: **15 Years**

(21) Appl. No.: **29/683,862**

(22) Filed: **Mar. 15, 2019**

(30) **Foreign Application Priority Data**

Dec. 24, 2018 (TW) 107307505

(51) **LOC (12) Cl.** **26-06**

(52) **U.S. Cl.**
USPC **D26/28**

(58) **Field of Classification Search**
USPC D26/28-36, 139
CPC F21S 48/00; F21S 48/10; F21S 48/115;
F21S 48/225; F21S 48/1233; F21S
48/1266; F21S 48/1388; F21S 48/2268;
F21V 21/04; F21V 29/004; B60Q 9/13;
B60Q 9/135; B60Q 9/1375

See application file for complete search history.

(56) **References Cited**

U.S. PATENT DOCUMENTS

D564,683 S * 3/2008 Roach D26/28
D626,668 S * 11/2010 Grebert D26/28

D639,468 S * 6/2011 Huang D26/28
D690,853 S * 10/2013 Huang D26/28
D718,478 S * 11/2014 Adams D26/28
D823,500 S * 7/2018 Liao D26/28
D833,046 S * 11/2018 Jiang D26/28
D869,705 S * 12/2019 Wu D26/28

* cited by examiner

Primary Examiner — Marcus A Jackson

(74) *Attorney, Agent, or Firm* — Lewis Roca Rothgerber
Christie LLP

(57) **CLAIM**

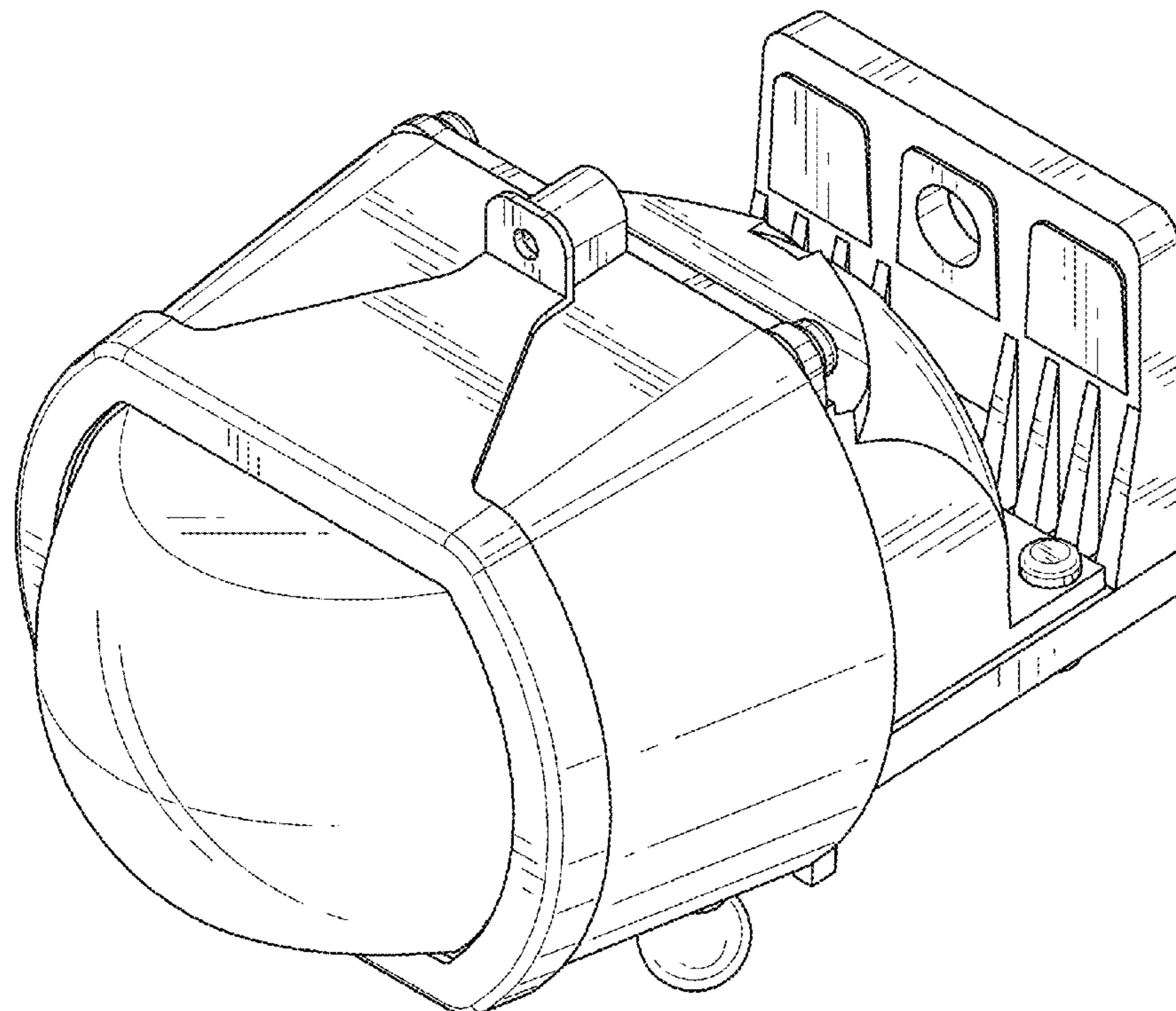
The ornamental design for luminous device for a vehicle light, as shown and described.

DESCRIPTION

FIG. 1 is a front perspective view of a luminous device for a vehicle light;
FIG. 2 is a rear perspective view thereof;
FIG. 3 is a front view thereof;
FIG. 4 is a rear view thereof;
FIG. 5 is a left side view thereof;
FIG. 6 is a right side view thereof;
FIG. 7 is a top view thereof; and,
FIG. 8 is a bottom view thereof.

The broken lines in the drawings are for illustrative purpose only and form no part of the claimed design.

1 Claim, 7 Drawing Sheets



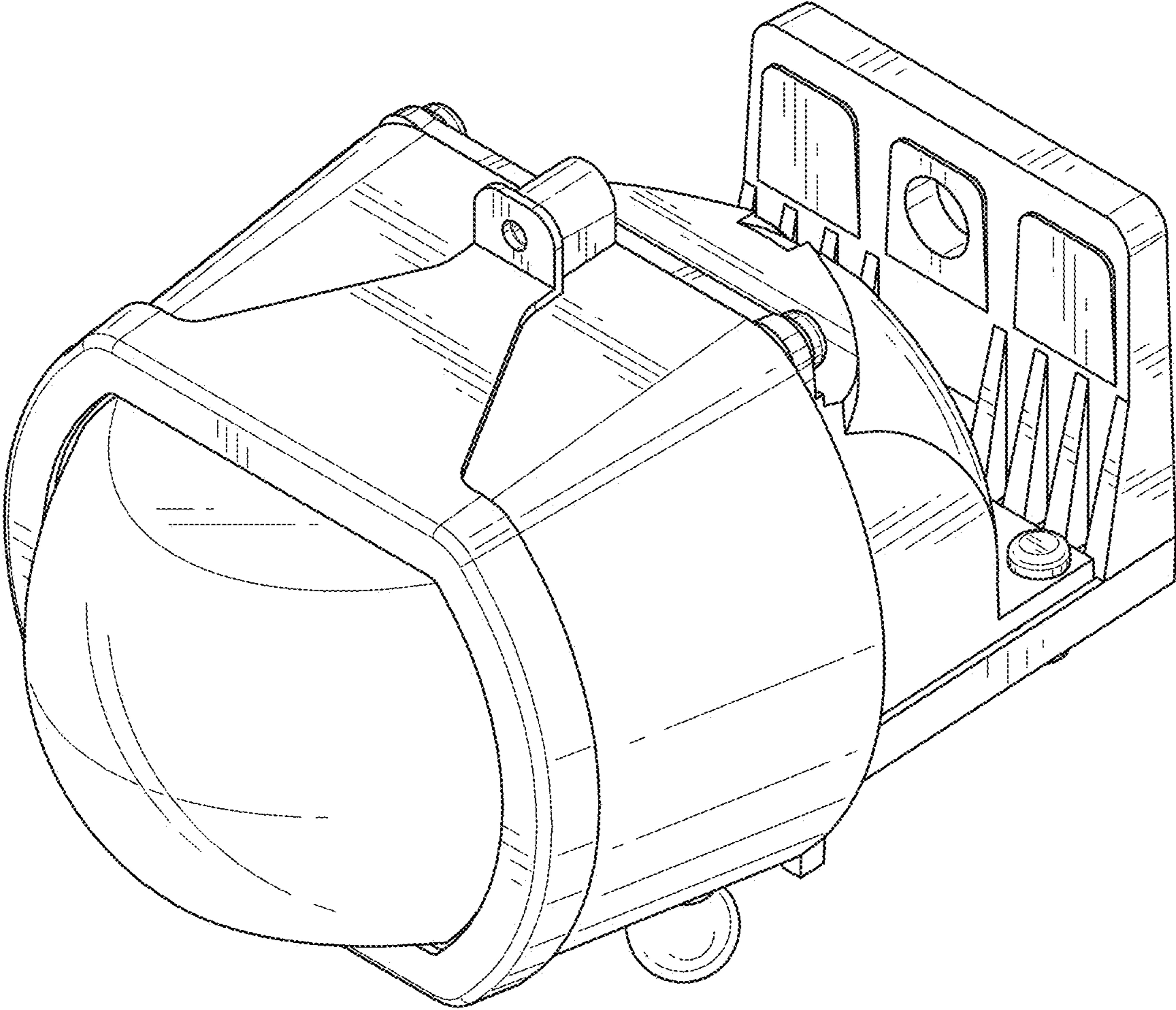


FIG. 1

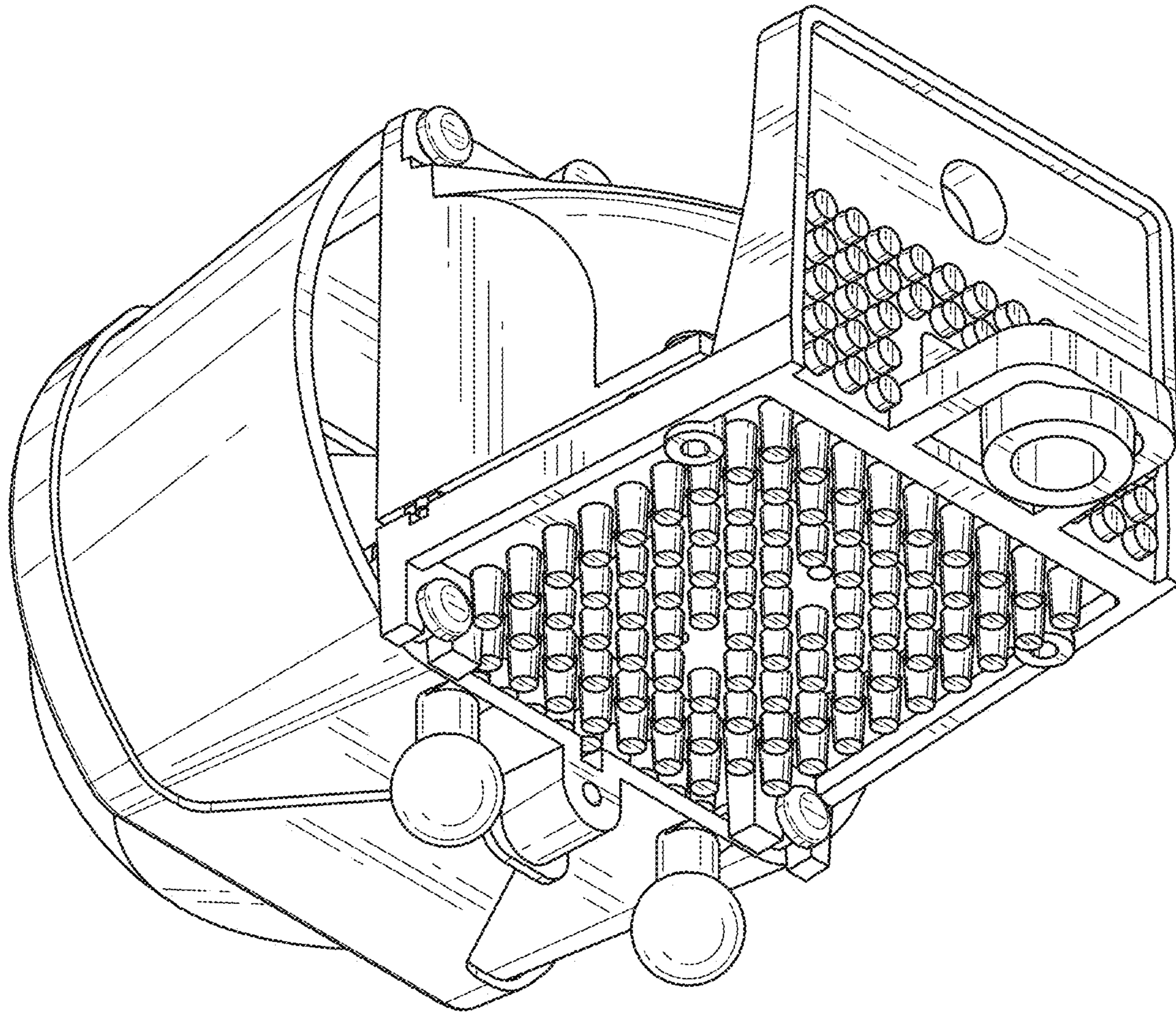


FIG. 2

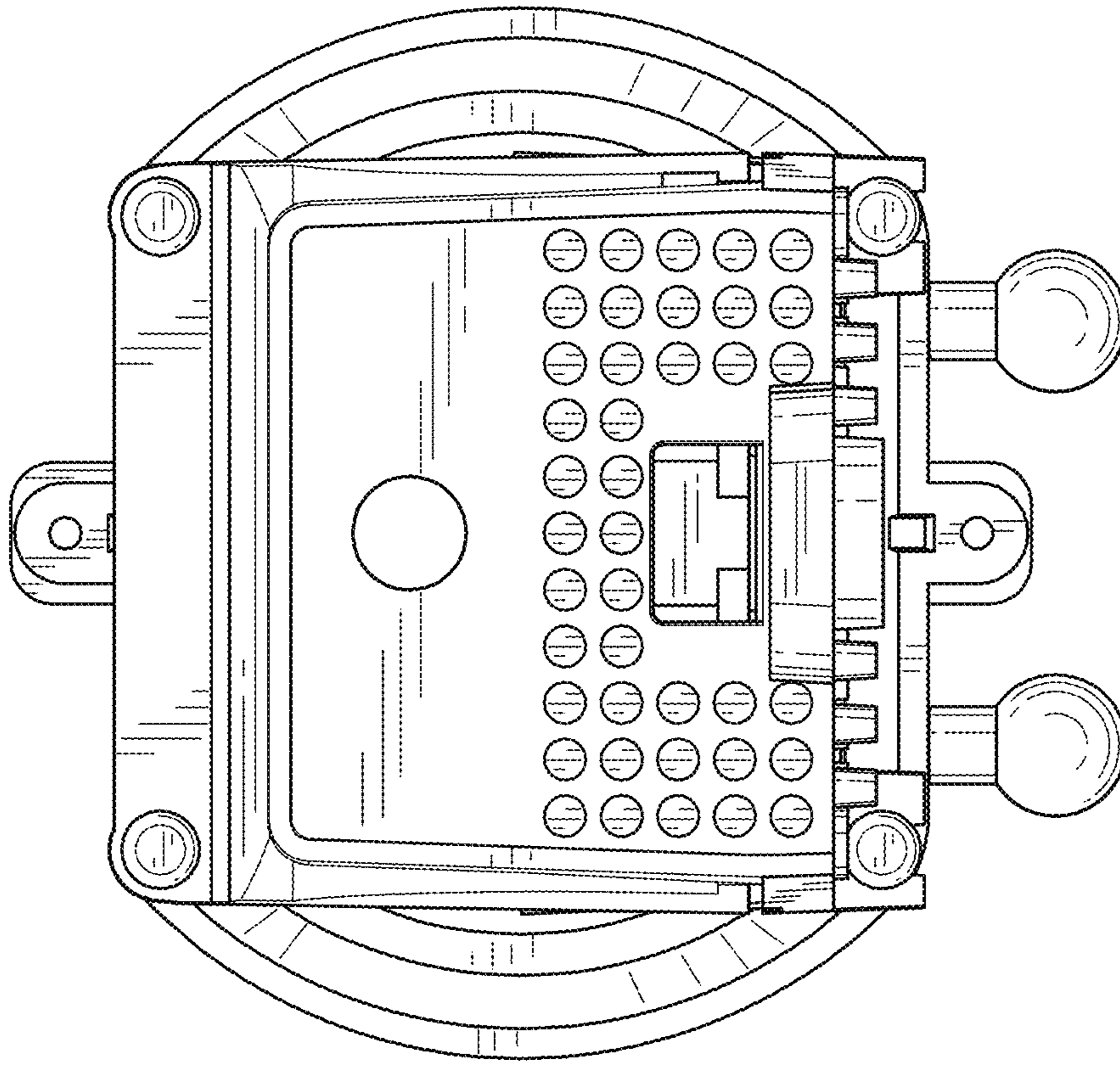


FIG. 4

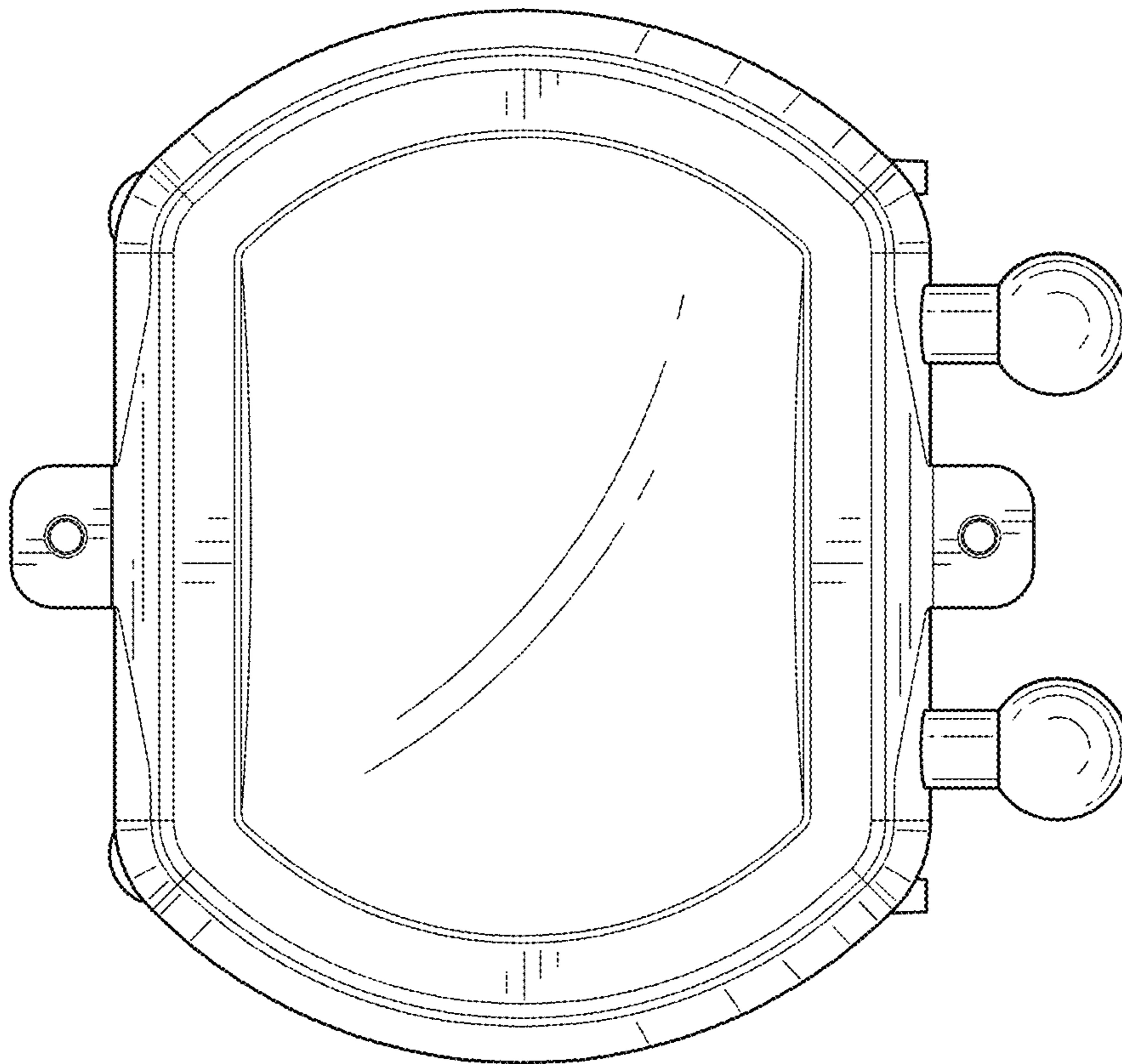


FIG. 3

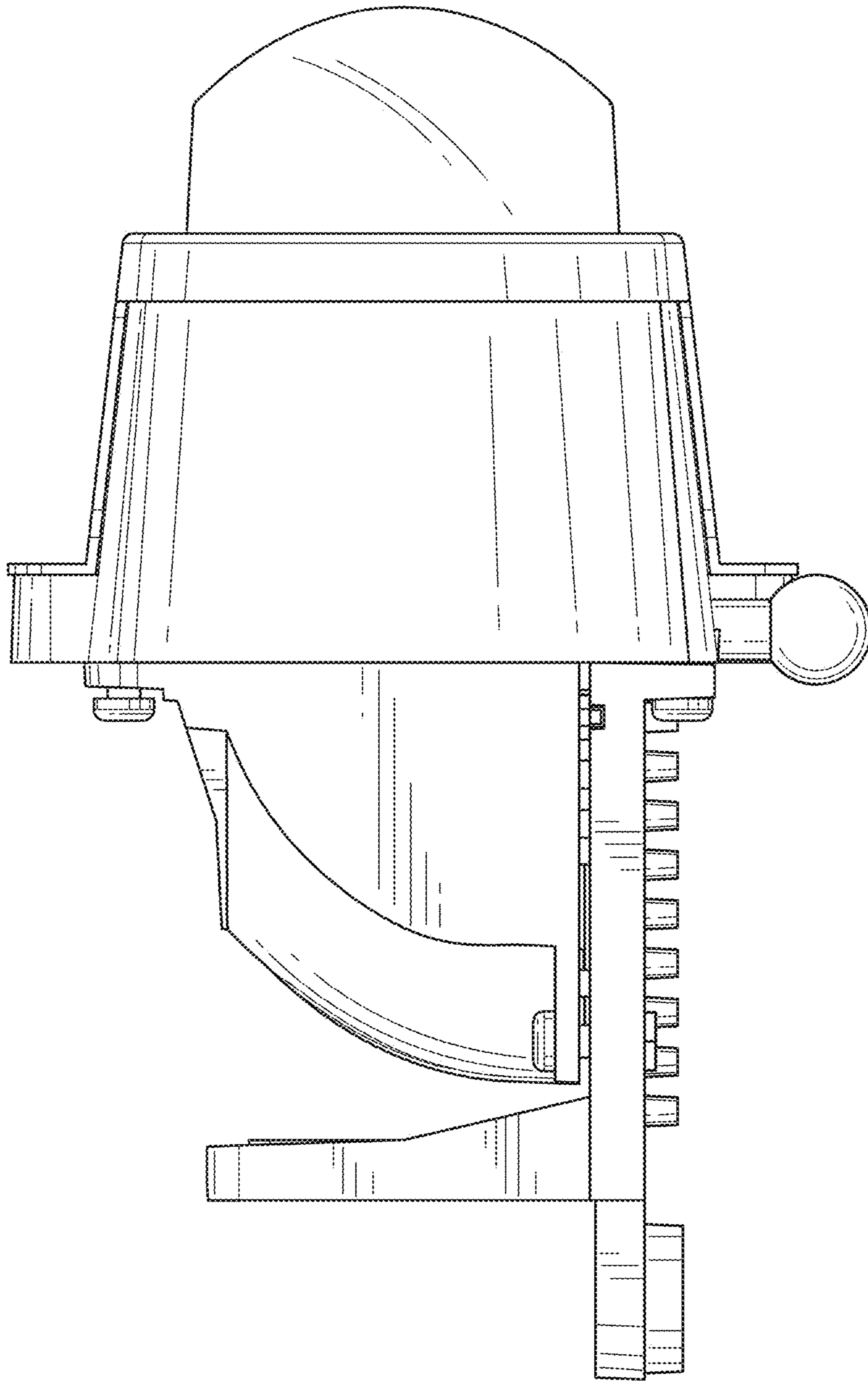


FIG. 5

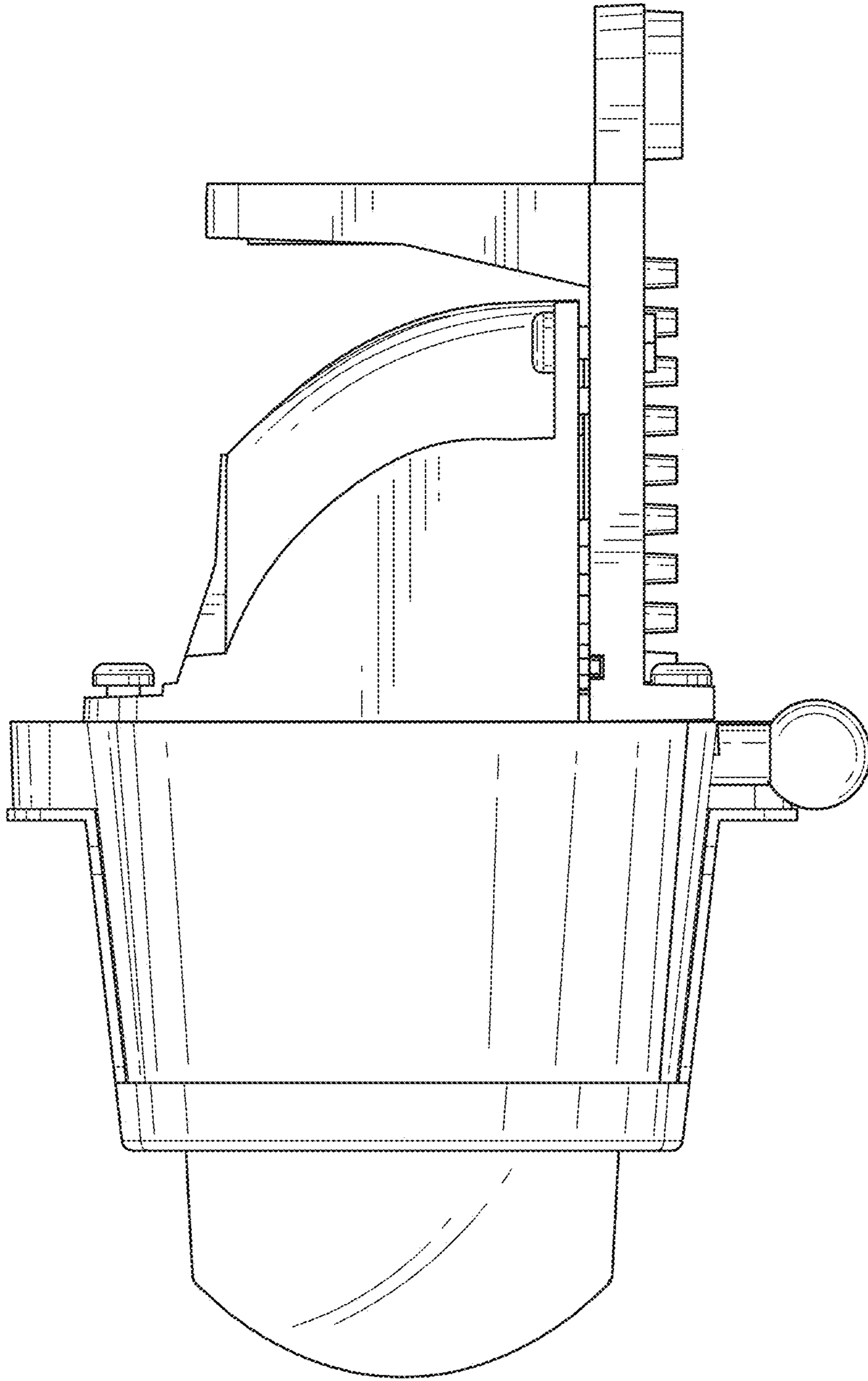


FIG. 6

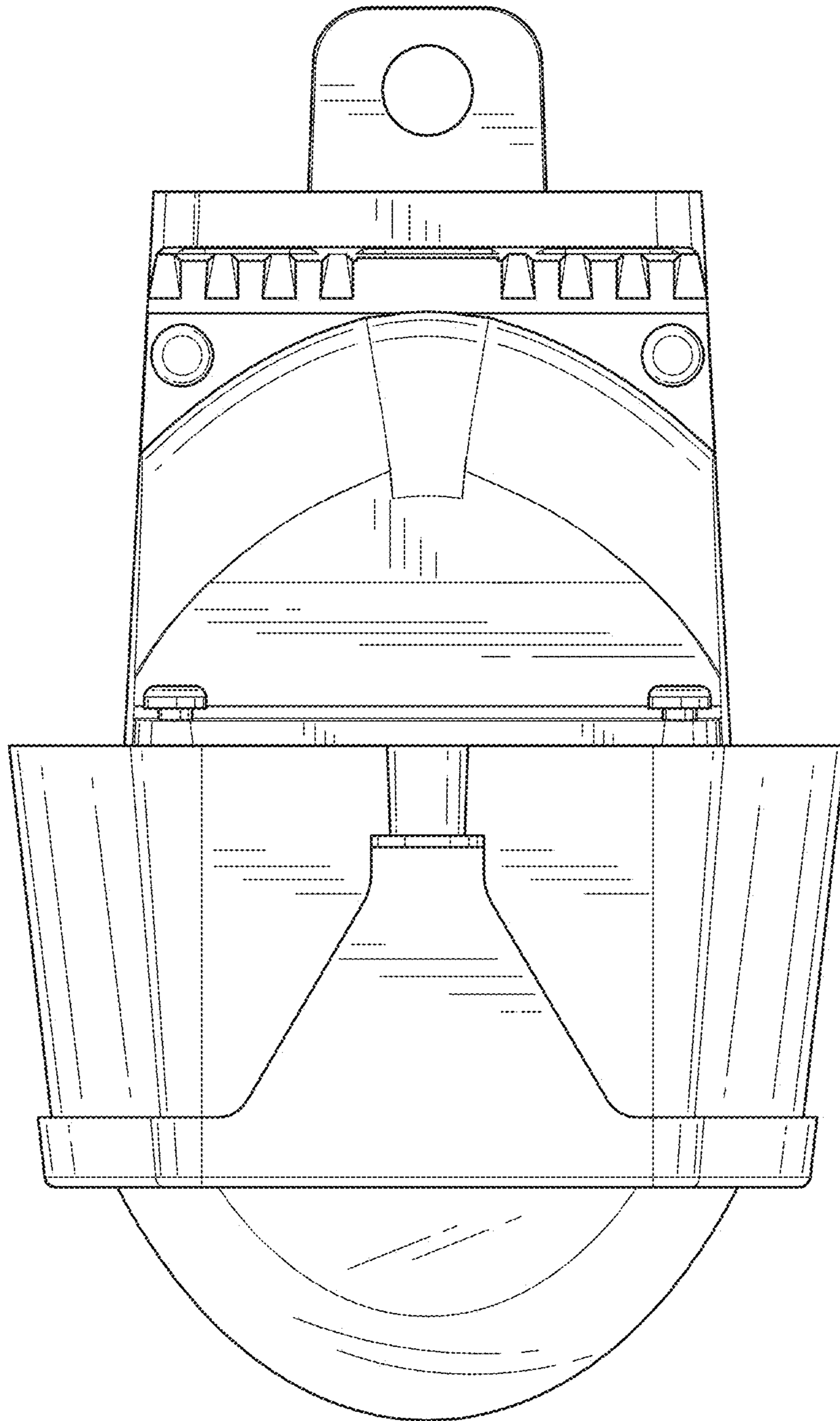


FIG. 7

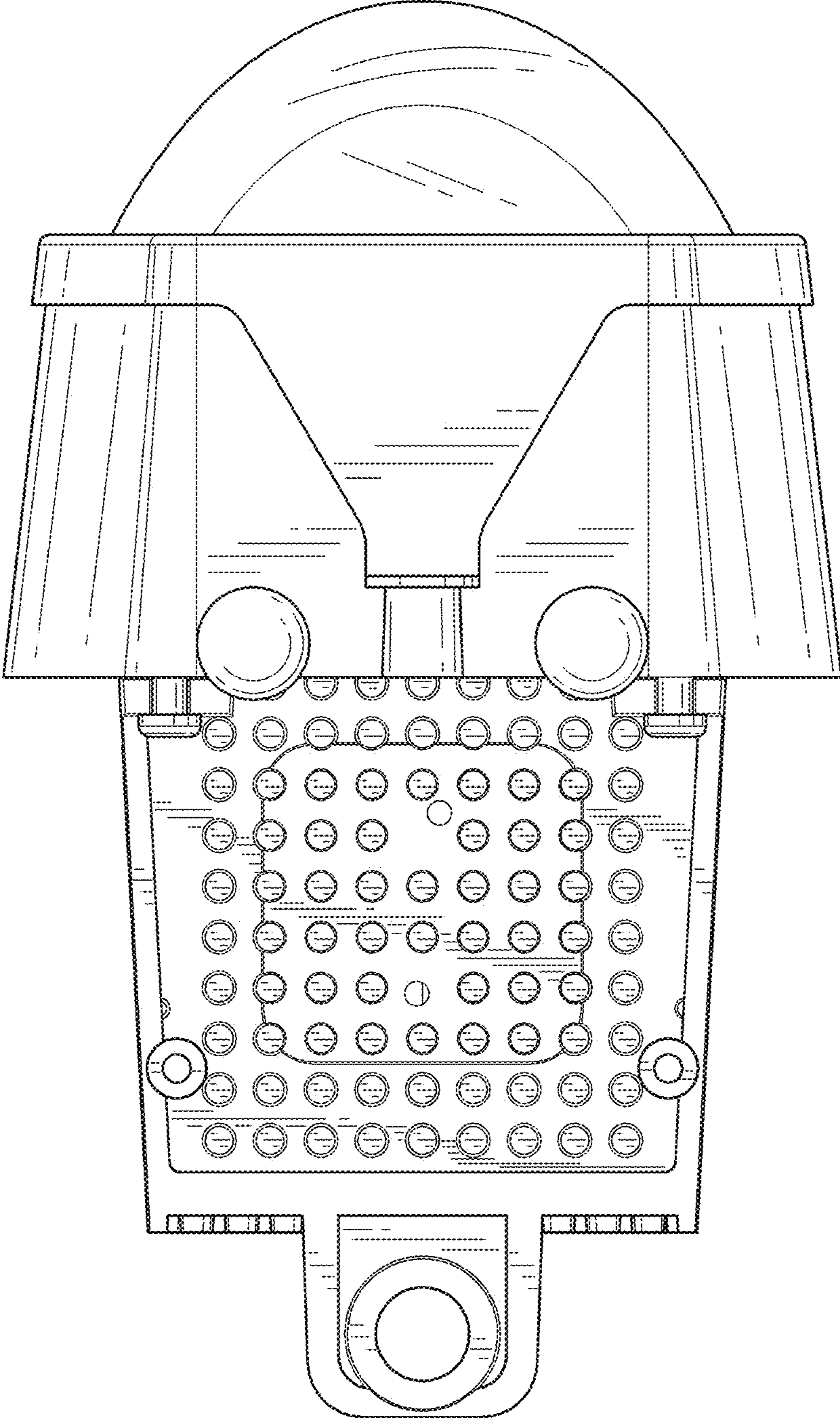


FIG. 8