

US00D897563S

(12) **United States Design Patent**
Smith

(10) **Patent No.:** **US D897,563 S**

(45) **Date of Patent:** **** Sep. 29, 2020**

(54) **ACOUSTIC WING SYSTEM**

(71) Applicant: **3Form, LLC**, Salt Lake City, UT (US)

(72) Inventor: **Ryan G. Smith**, Seattle, WA (US)

(73) Assignee: **3FORM, LLC**, Salt Lake City, UT (US)

(**) Term: **15 Years**

(21) Appl. No.: **29/694,402**

(22) Filed: **Jun. 10, 2019**

(51) **LOC (12) Cl.** **25-01**

(52) **U.S. Cl.**
USPC **D25/138**

(58) **Field of Classification Search**
USPC D25/138
CPC E04B 1/84; E04B 9/001; E04B 9/18
See application file for complete search history.

(56) **References Cited**

U.S. PATENT DOCUMENTS

D644,751 S * 9/2011 Martin D25/138
RE46,043 E * 6/2016 Stackenwalt E04B 9/0414

D760,921 S * 7/2016 Bilge D25/138
9,613,609 B2 * 4/2017 Caimi E04B 2/7437
10,190,312 B2 * 1/2019 Flotre E04B 1/8409

* cited by examiner

Primary Examiner — Doris Clark

(74) *Attorney, Agent, or Firm* — Workman Nydegger

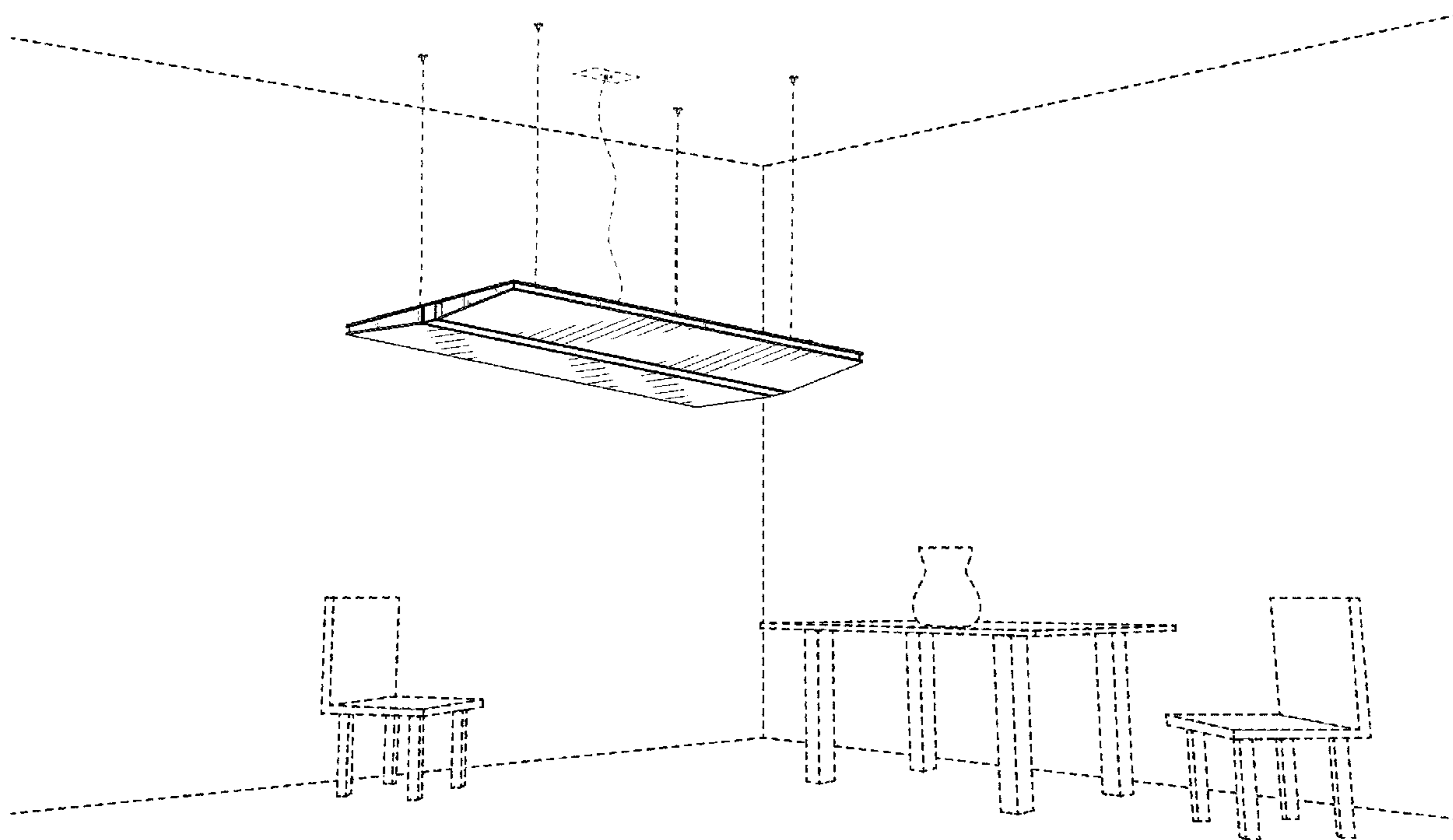
(57) **CLAIM**

The ornamental design for an acoustic wing system, as shown and described.

DESCRIPTION

FIG. 1 is a bottom, right perspective view of an acoustic wing system;
FIG. 2 is a front elevation view thereof;
FIG. 3 is a back elevation view thereof;
FIG. 4 is a top plan view thereof;
FIG. 5 is a bottom plan view thereof;
FIG. 6 is a right elevation view thereof; and,
FIG. 7 is a left elevation view thereof.
The broken lines in the drawings depict portions of the acoustic wing system or environmental subject matter that form no part of the claimed design.

1 Claim, 5 Drawing Sheets



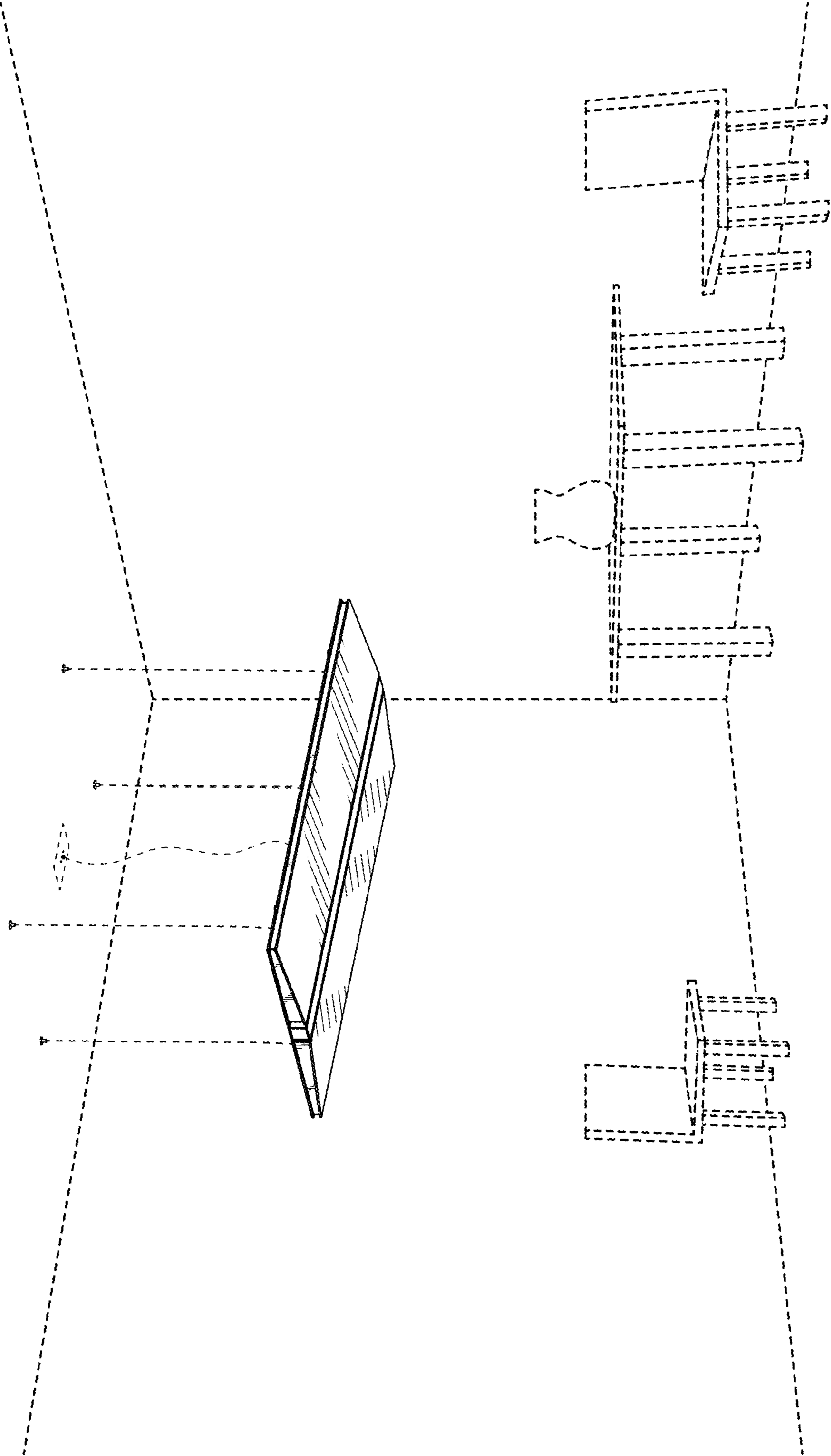


FIG. 1

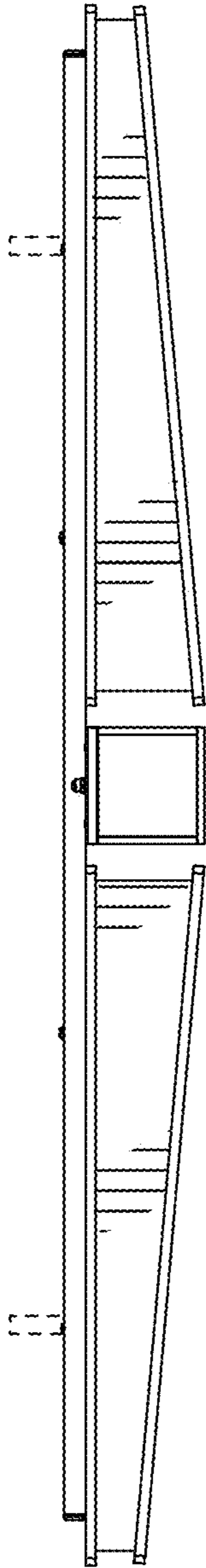


FIG. 2

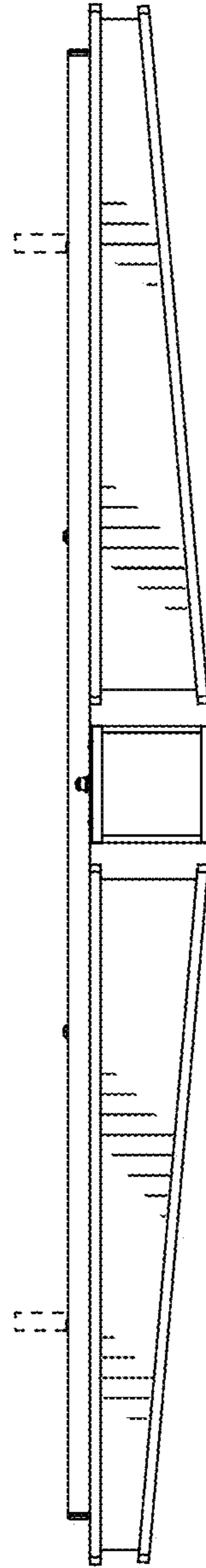


FIG. 3

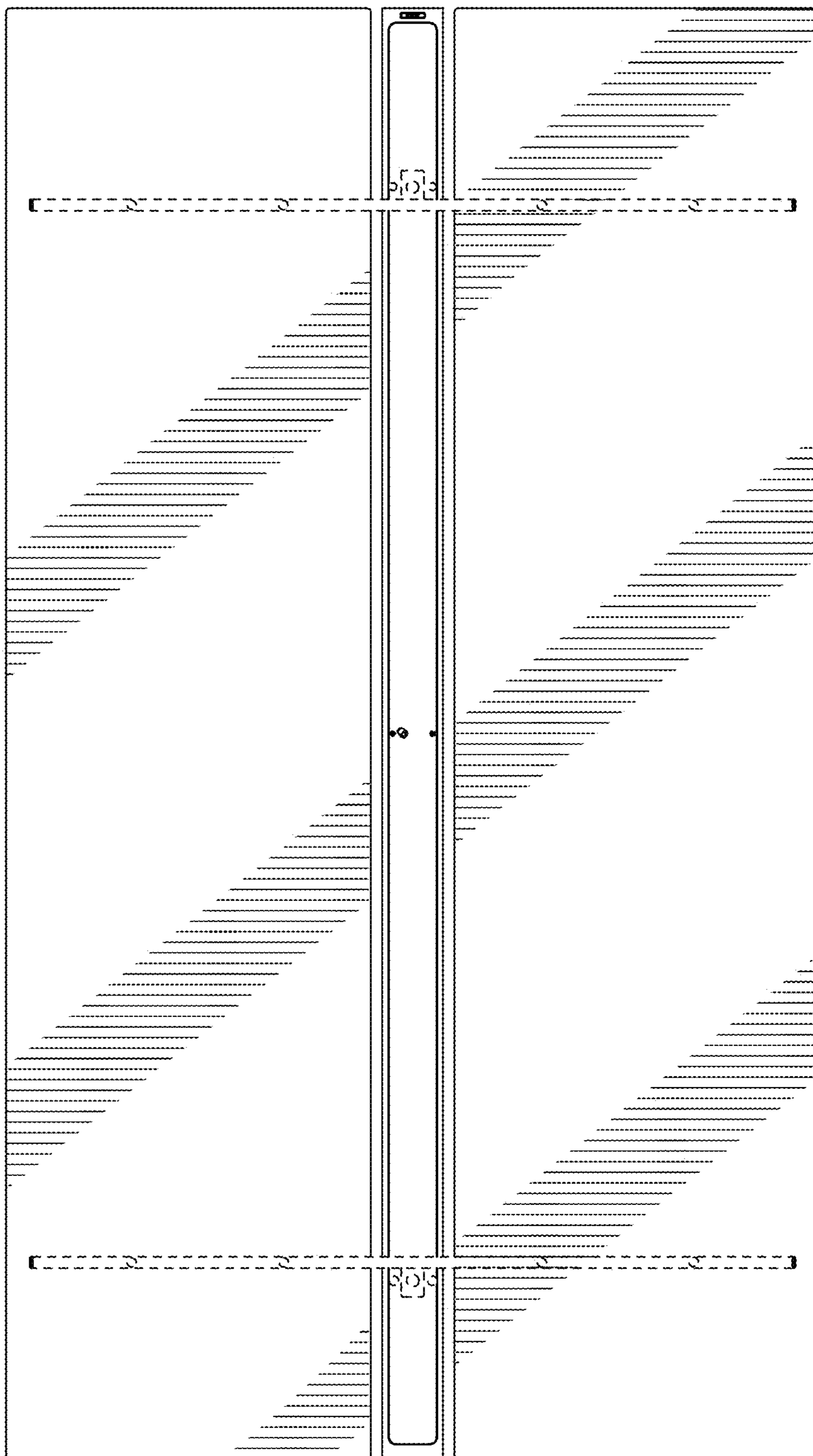


FIG. 4

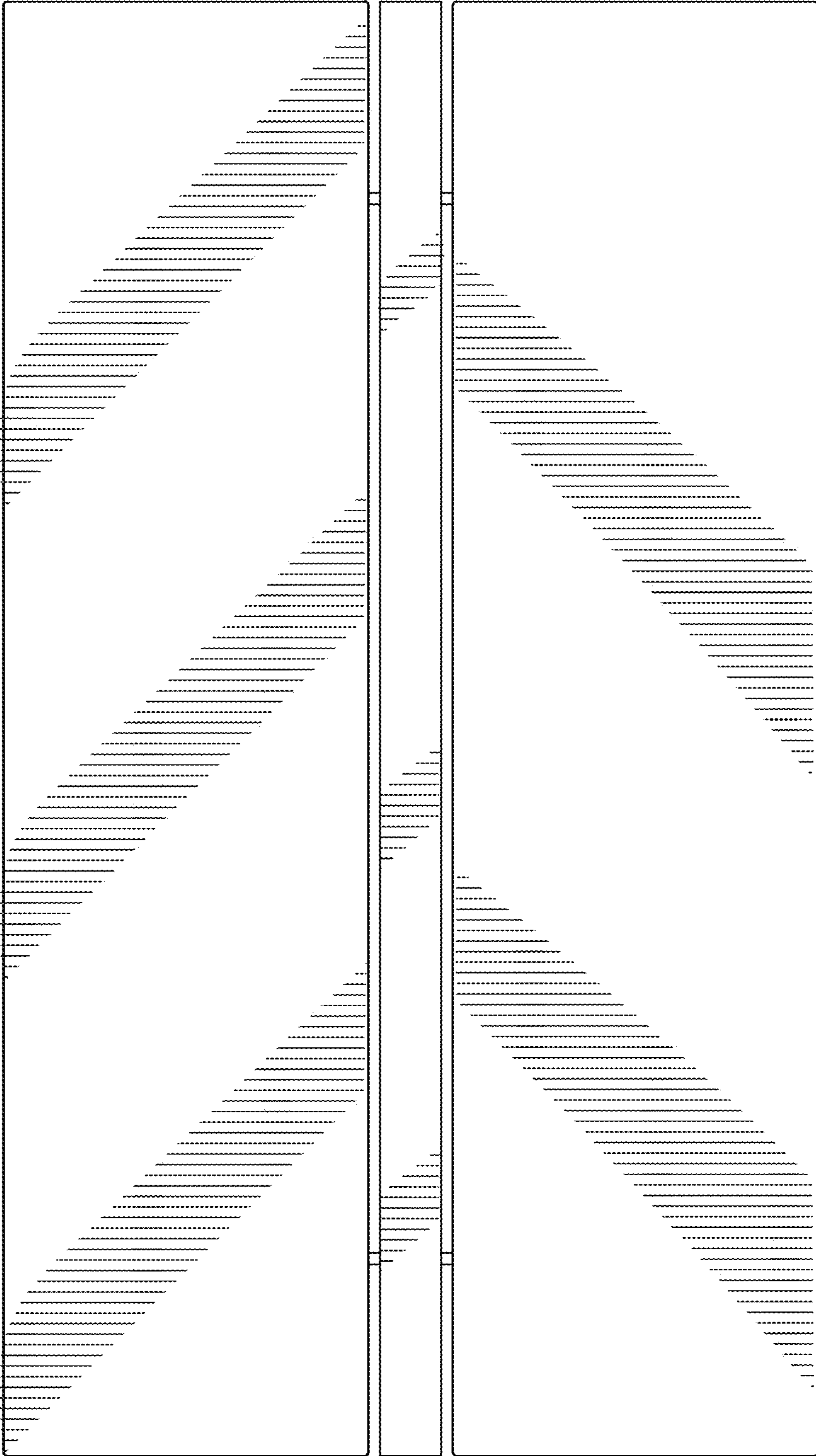


FIG. 5

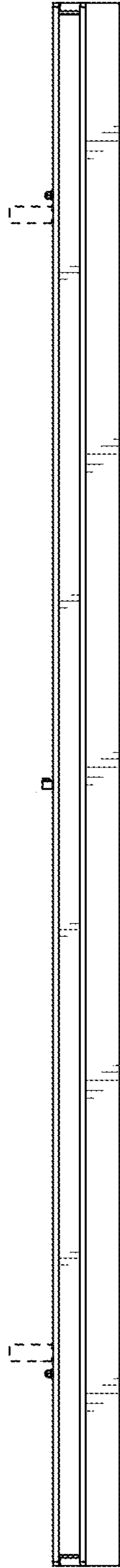


FIG. 6

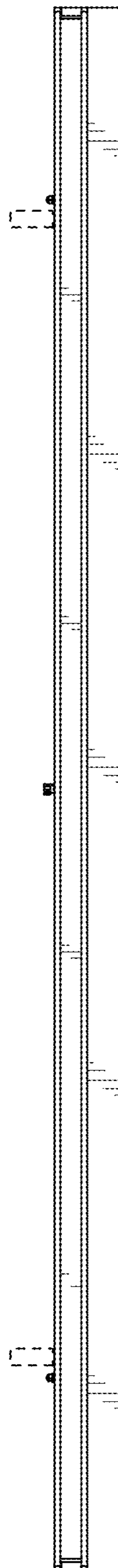


FIG. 7