



US00D897561S

(12) **United States Design Patent** (10) **Patent No.:** **US D897,561 S**
Grobe (45) **Date of Patent:** **** Sep. 29, 2020**

(54) **DOOR AREA STRUCTURE**

(71) Applicant: **Dürr Systems AG**,
Bietigheim-Bissingen (DE)

(72) Inventor: **Stefan Grobe**, Tübingen/Dettenhausen
(DE)

(73) Assignee: **Dürr Systems AG**,
Bietigheim-Bissingen

(**) Term: **15 Years**

(21) Appl. No.: **29/583,280**

(22) Filed: **Nov. 3, 2016**

(30) **Foreign Application Priority Data**

May 4, 2016 (DE) 40 2016 000 623
Oct. 19, 2016 (EM) 003424704

(51) **LOC (12) Cl.** **25-03**

(52) **U.S. Cl.**
USPC **D25/59**; D25/60

(58) **Field of Classification Search**
USPC D25/1, 3-6, 12-34, 56, 35, 36, 55,
D25/58-61, 48.3
CPC E04H 1/00-06; E04H 3/00-14; E04H
1/12-1272; E06B 1/006; E06B 1/12;
E06B 1/52; E06B 1/522; E06B 1/36;
E06B 1/38

See application file for complete search history.

(56) **References Cited**

U.S. PATENT DOCUMENTS

D113,503 S * 2/1939 Brockstein D25/59
2,835,933 A * 5/1958 Evans E06B 1/52
52/211
3,443,344 A * 5/1969 Williams, Jr. E04B 1/34378
D25/56
D353,468 S * 12/1994 Smith D25/59
5,797,224 A * 8/1998 Gunthardt E04H 1/02
52/127.11

(Continued)

Primary Examiner — Brett Miller

(74) *Attorney, Agent, or Firm* — Hanley, Flight &
Zimmerman, LLC

(57) **CLAIM**

The ornamental design for a door area structure, as shown
and described.

DESCRIPTION

FIG. 1 is a front view of a first embodiment of a door area
structure.

FIG. 2 is a right side view of the door area structure of FIG.
1.

FIG. 3 is a left side view of the door area structure of FIG.
1.

FIG. 4 is a perspective view of the door area structure of
FIG. 1.

The top, bottom, and rear views of the door area structure of
FIG. 1 form no part of the claimed design.

FIG. 5 is a right side view of a second embodiment of a door
area structure.

FIG. 6 is a left side view of the door area of FIG. 5.

FIG. 7 is a perspective view of the door area of FIG. 5.

The top, bottom, and rear views of the door area structure of
FIG. 5 form no part of the claimed design.

FIG. 8 is a front view of a door area of a third embodiment
of a door area structure.

FIG. 9 is a right side view of the door area structure of FIG.
8.

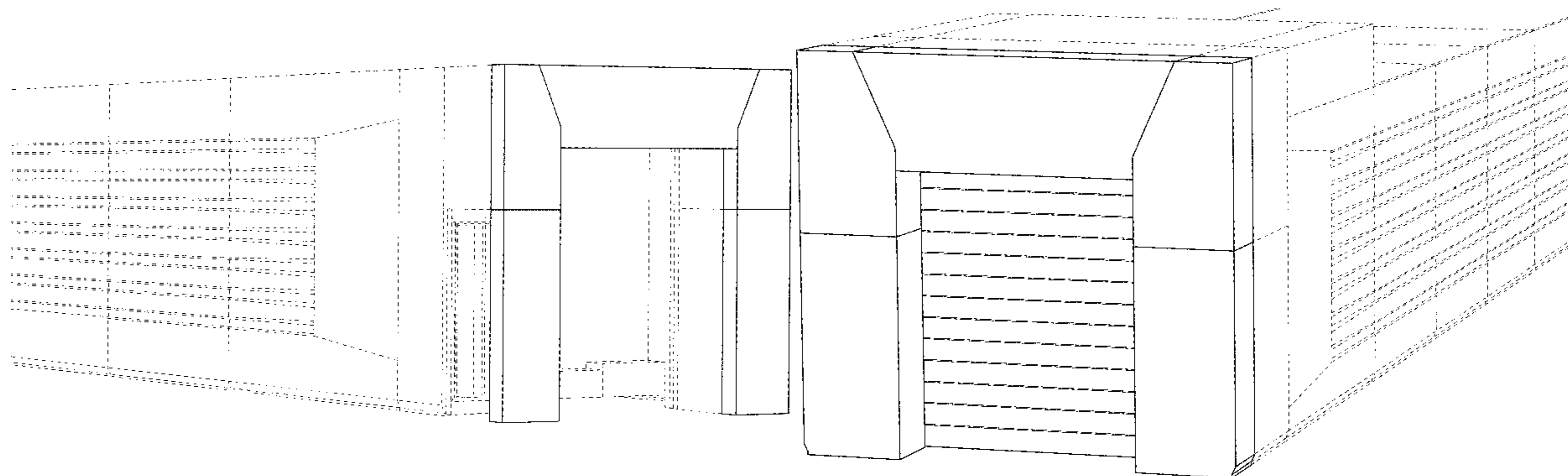
FIG. 10 is a left side view of the door area structure of FIG.
8; and,

FIG. 11 is a perspective view of the door area structure of
FIG. 8.

The top, bottom, and rear views of the door area structure of
FIG. 8 form no part of the claimed design.

The features shown in broken lines form no part of the
claimed design.

1 Claim, 11 Drawing Sheets



(56)

References Cited

U.S. PATENT DOCUMENTS

6,430,879	B1 *	8/2002	Nuiry	E04B 1/34305 52/67
D471,285	S *	3/2003	Dixon	D25/59
7,837,254	B2 *	11/2010	Reiman	B62D 35/001 296/180.4
D807,230	S *	1/2018	Petelka	D12/97
2011/0221233	A1 *	9/2011	Damsi	B60J 5/02 296/186.1

* cited by examiner

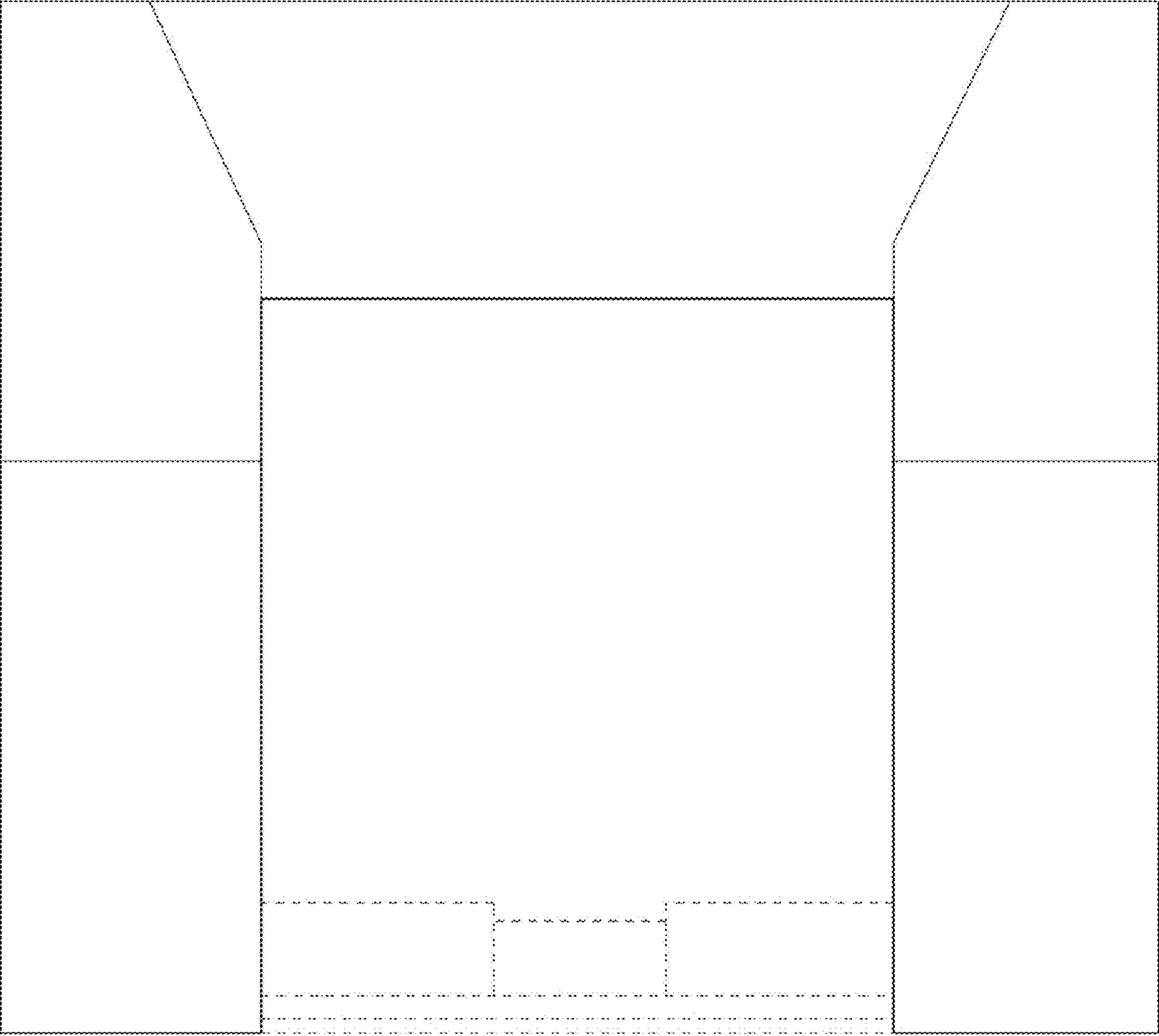


FIG. 1

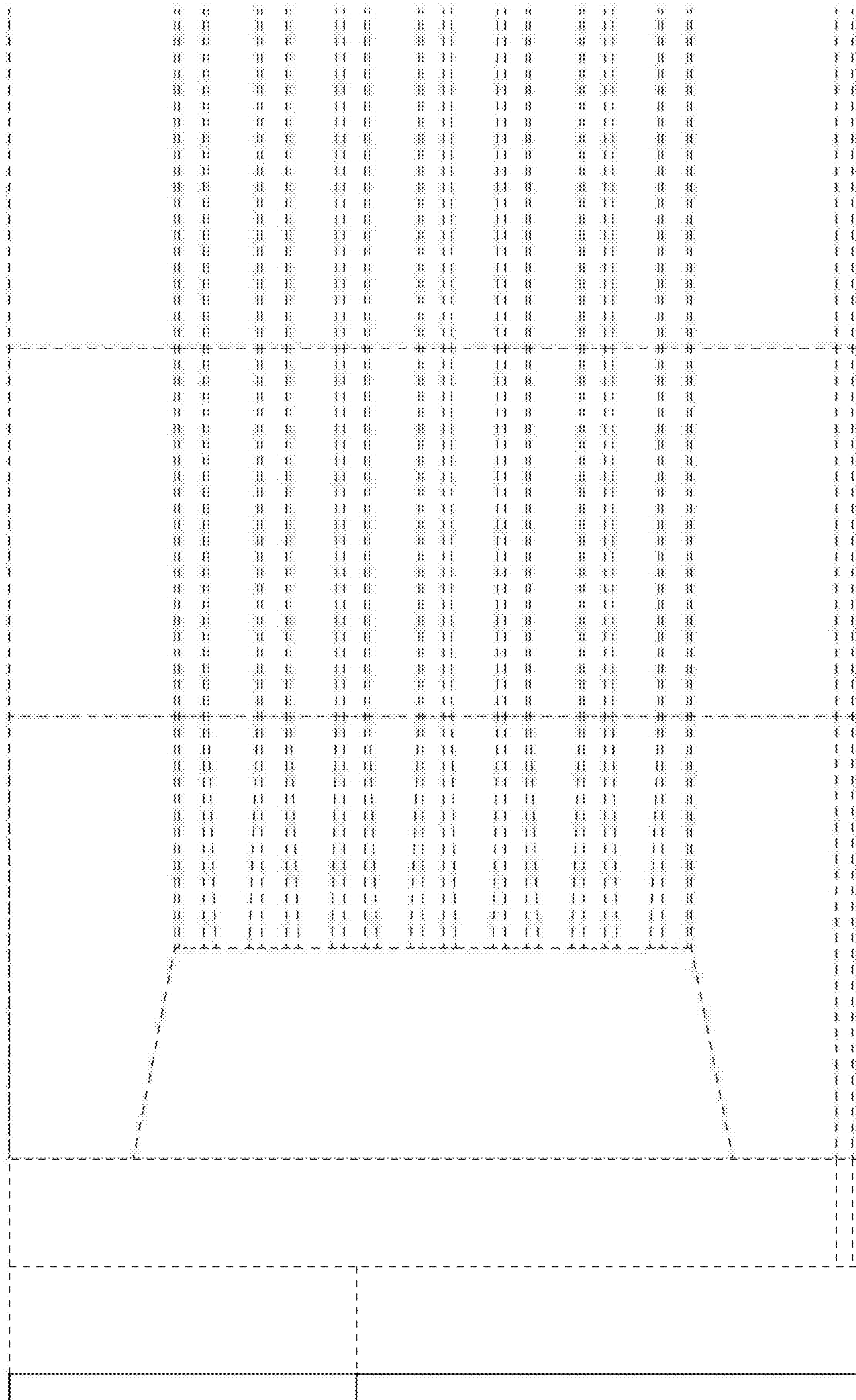


FIG. 2

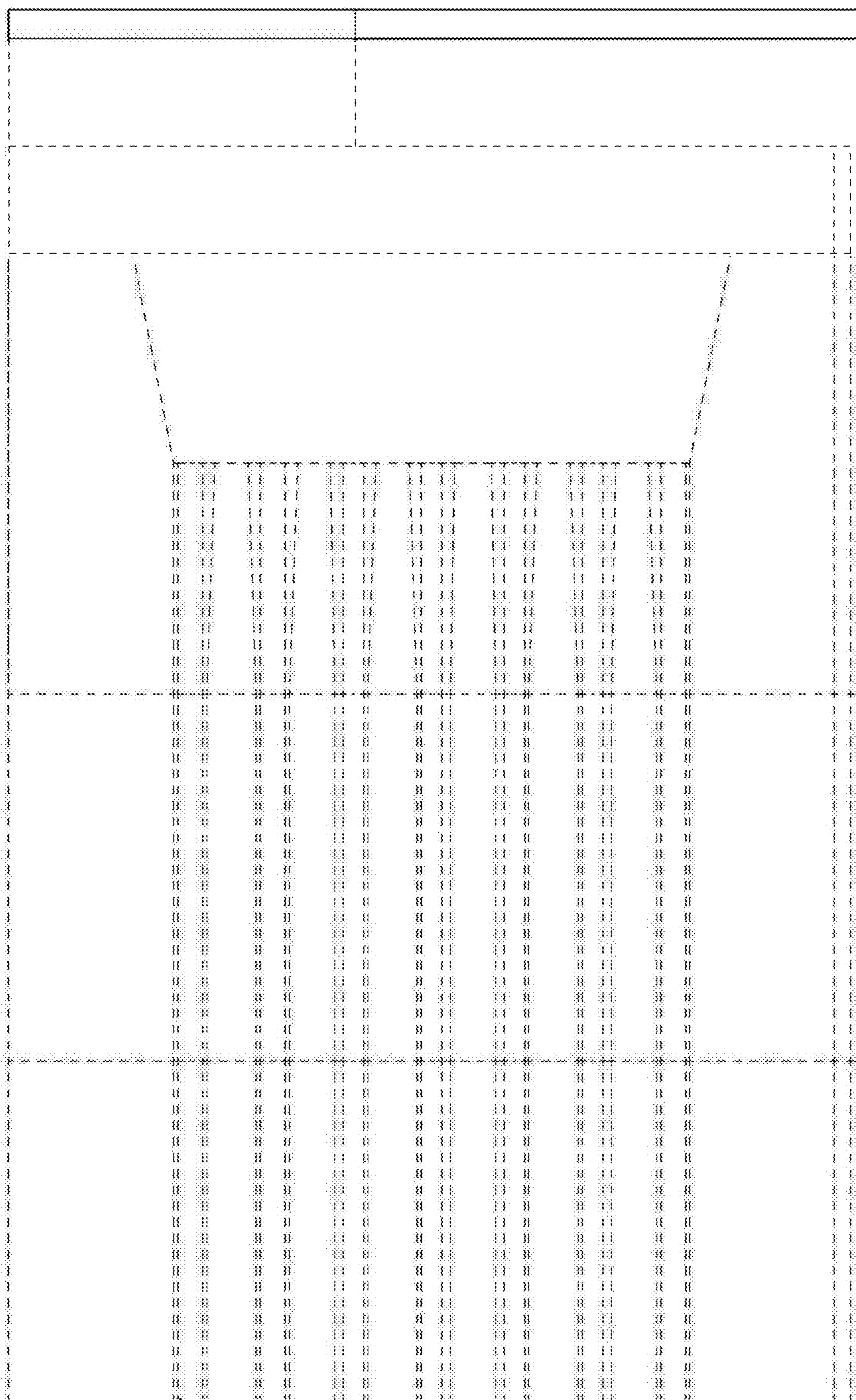


FIG. 3

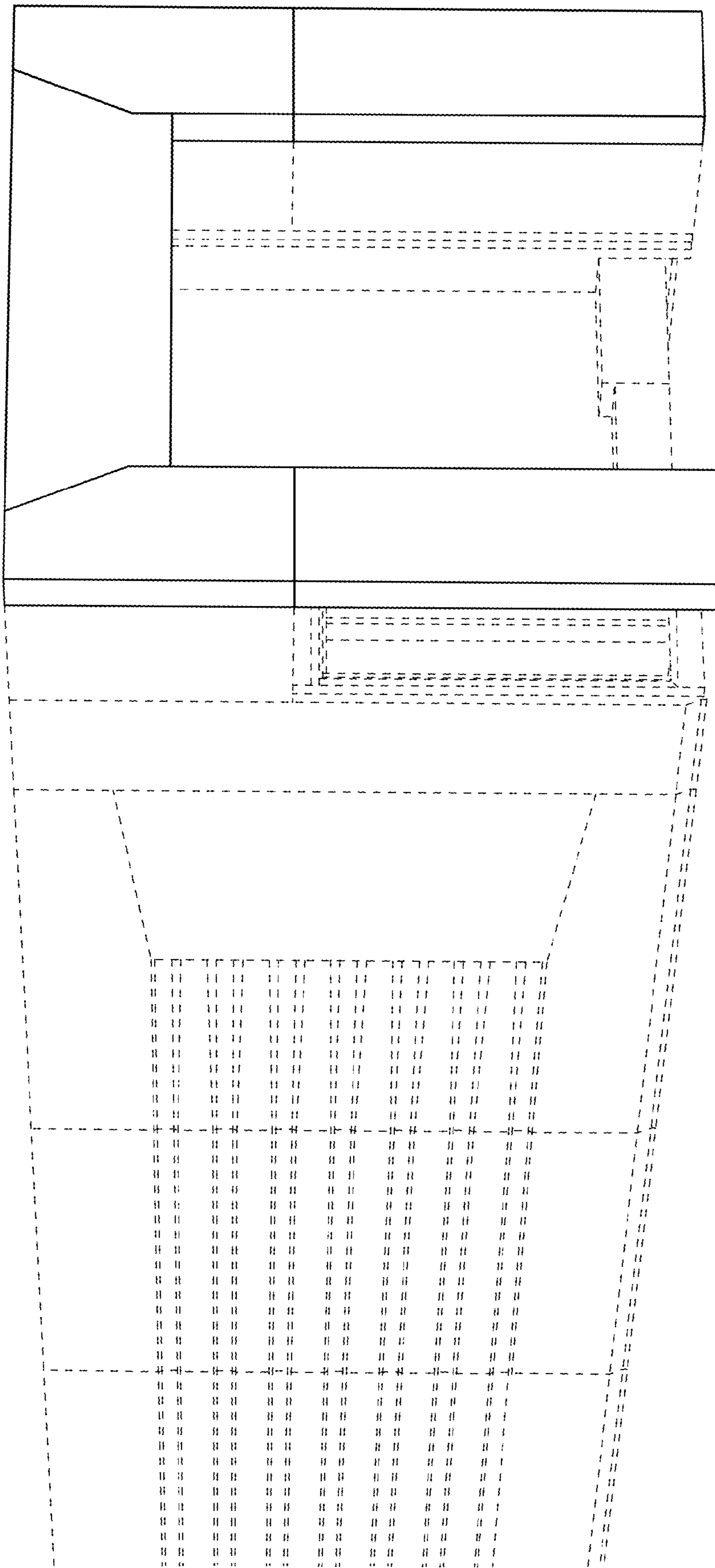


FIG. 4

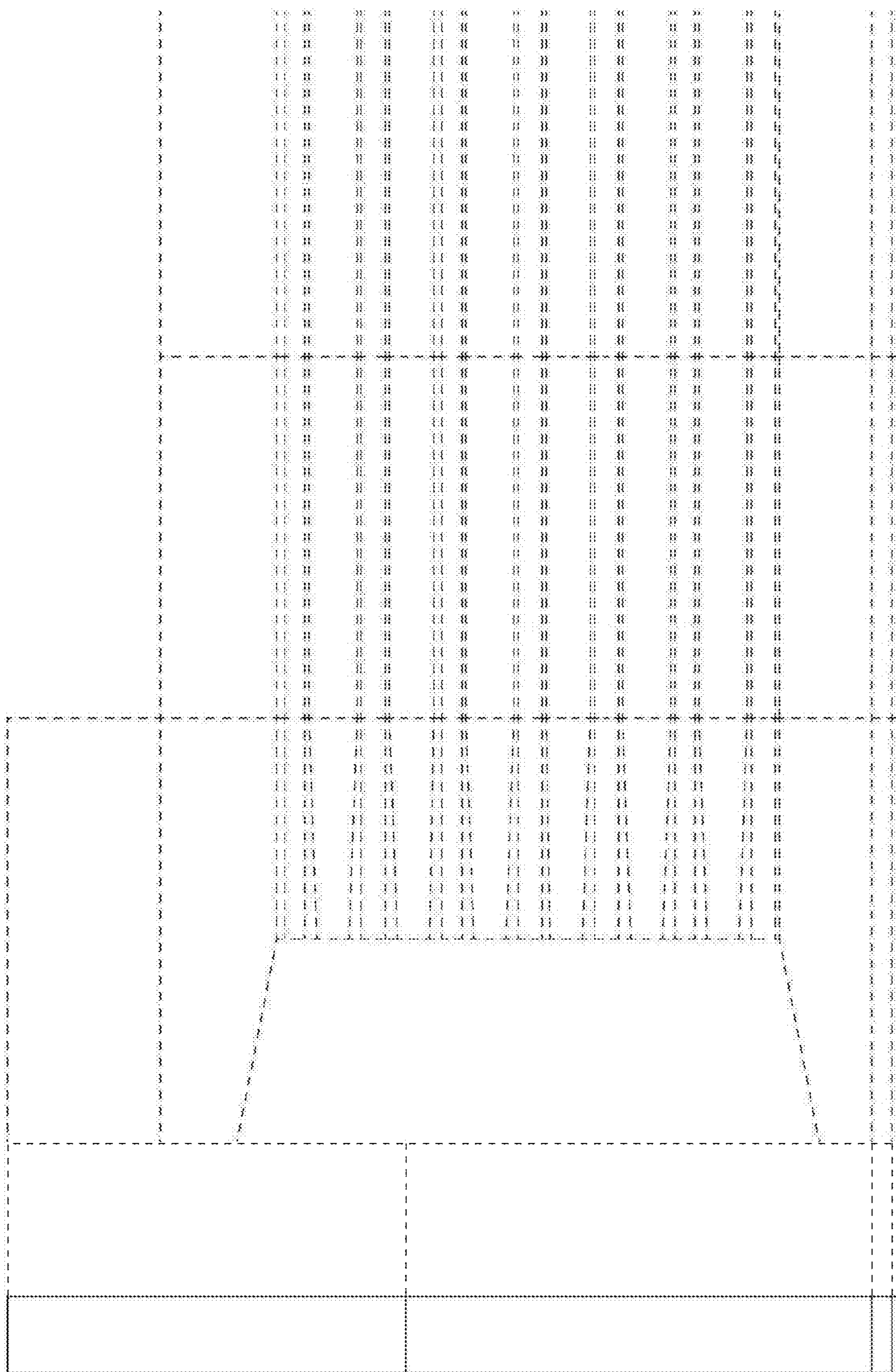


FIG. 5

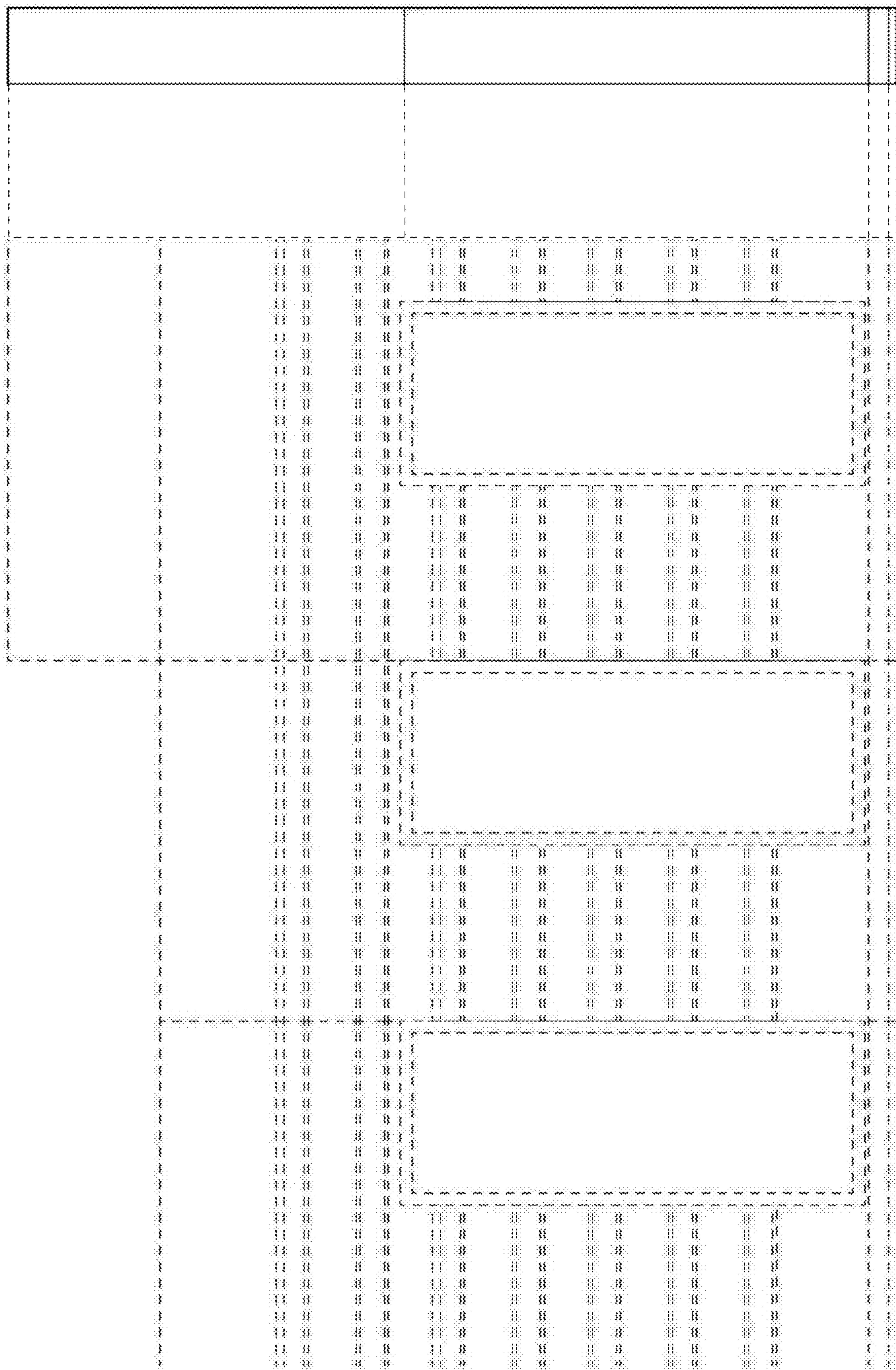


FIG. 6

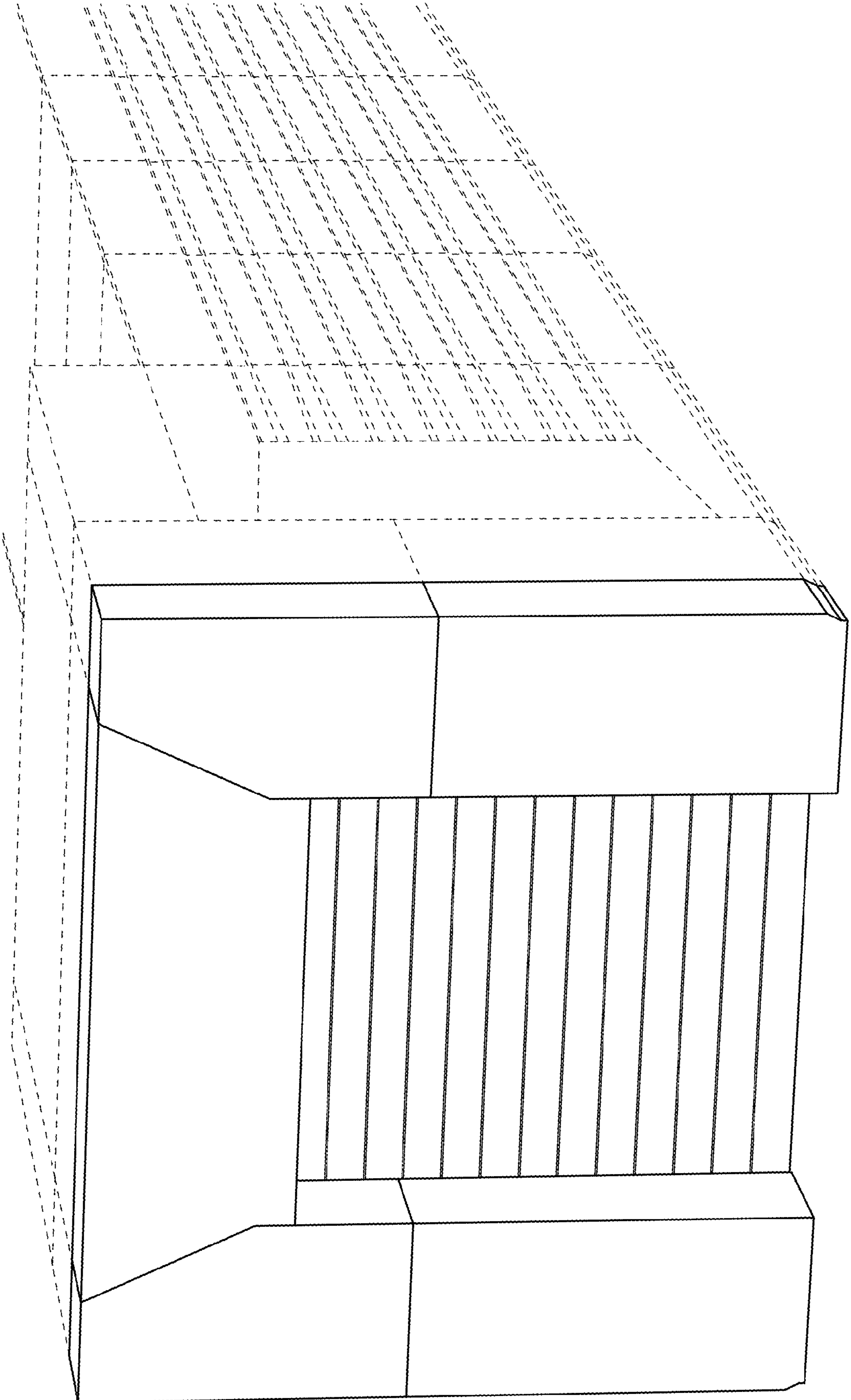


FIG. 7

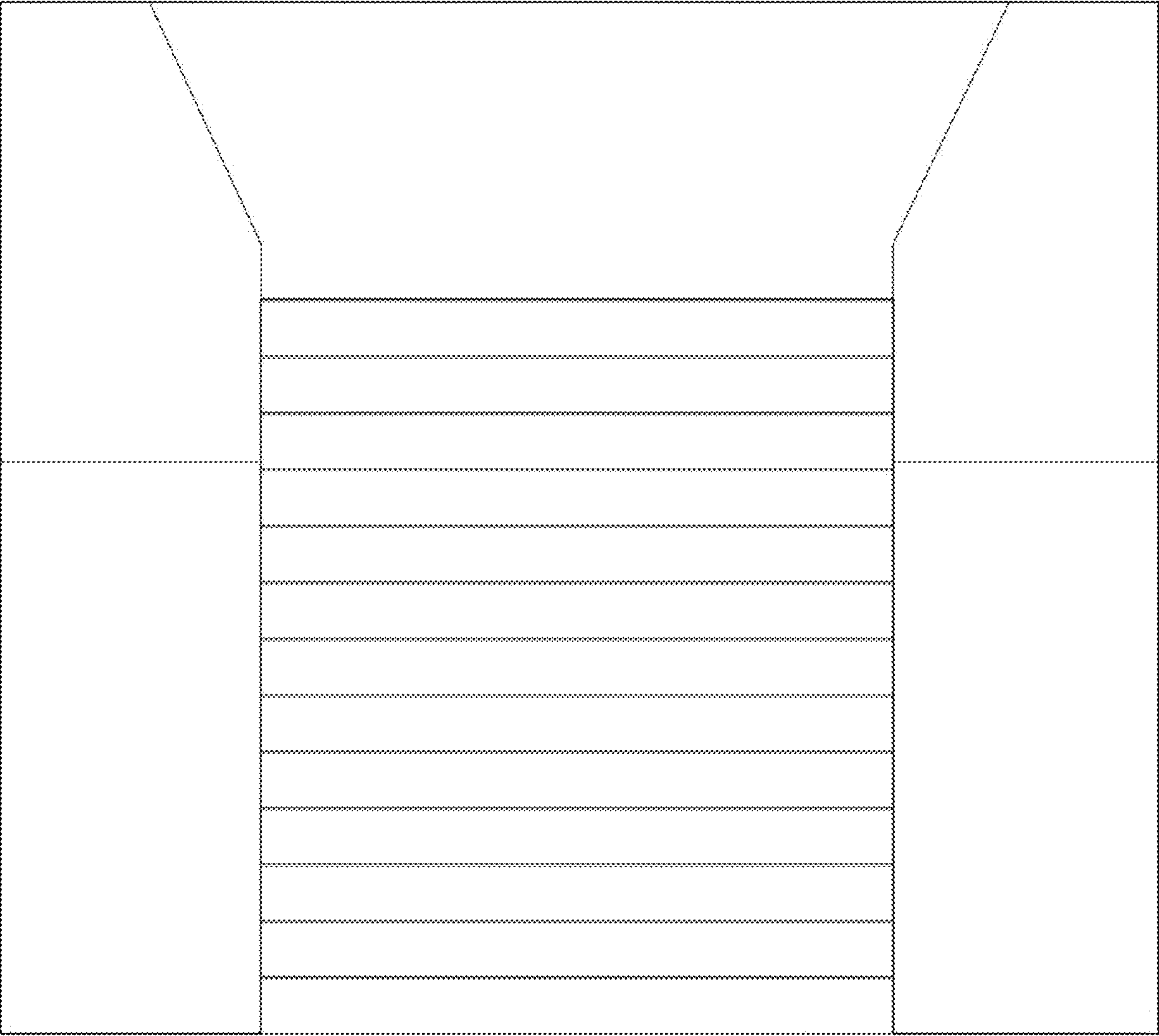


FIG. 8

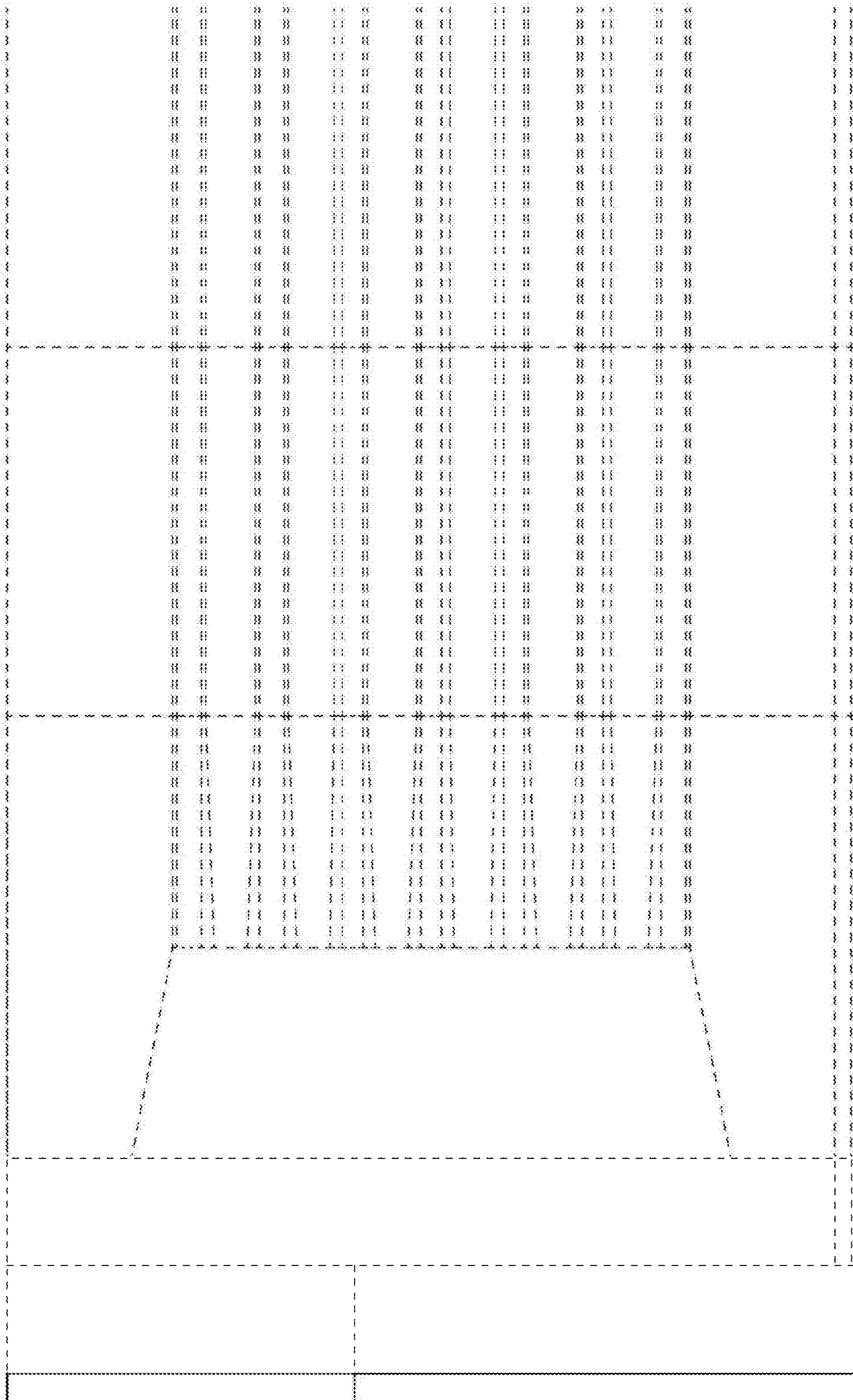


FIG. 9

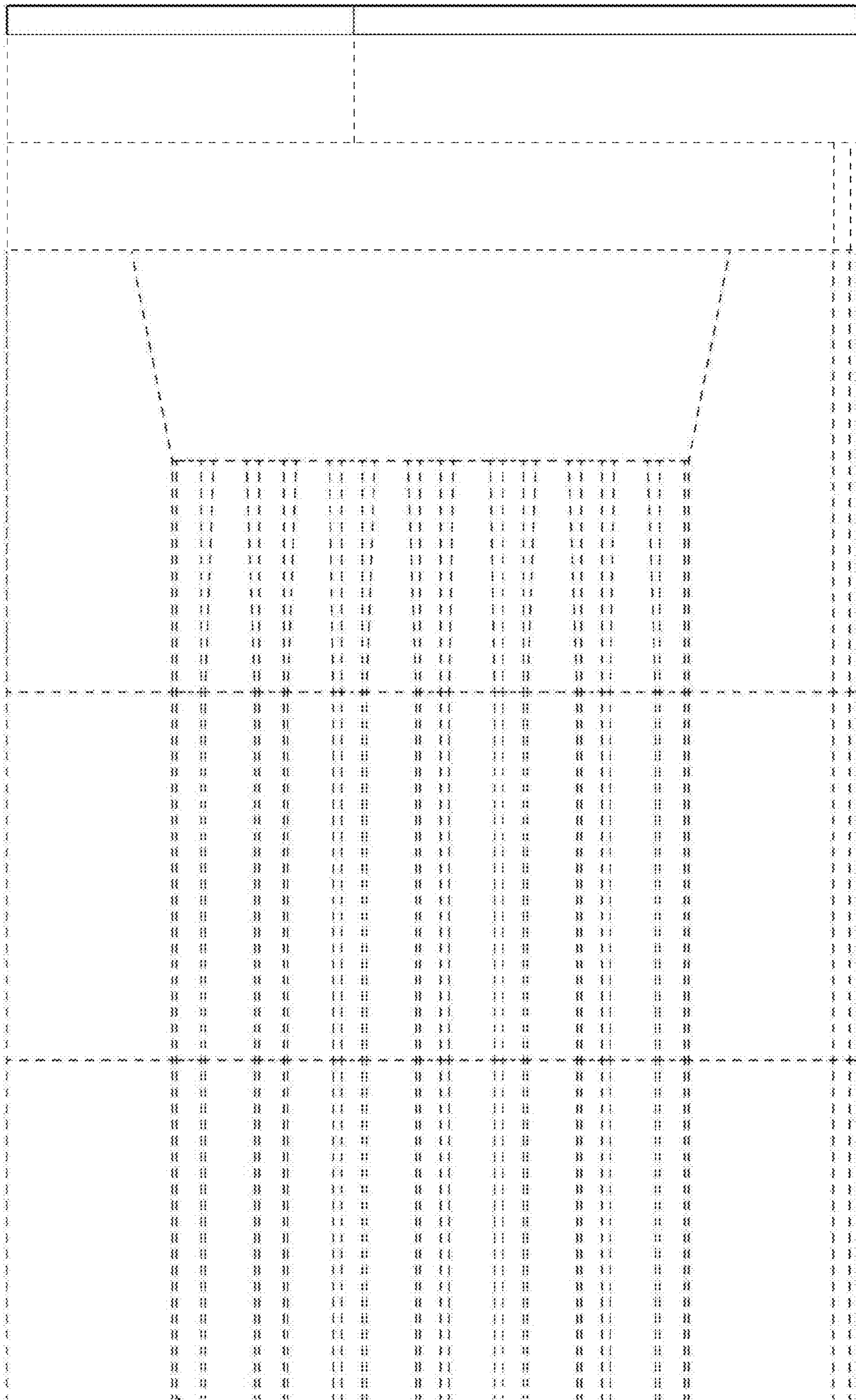


FIG. 10

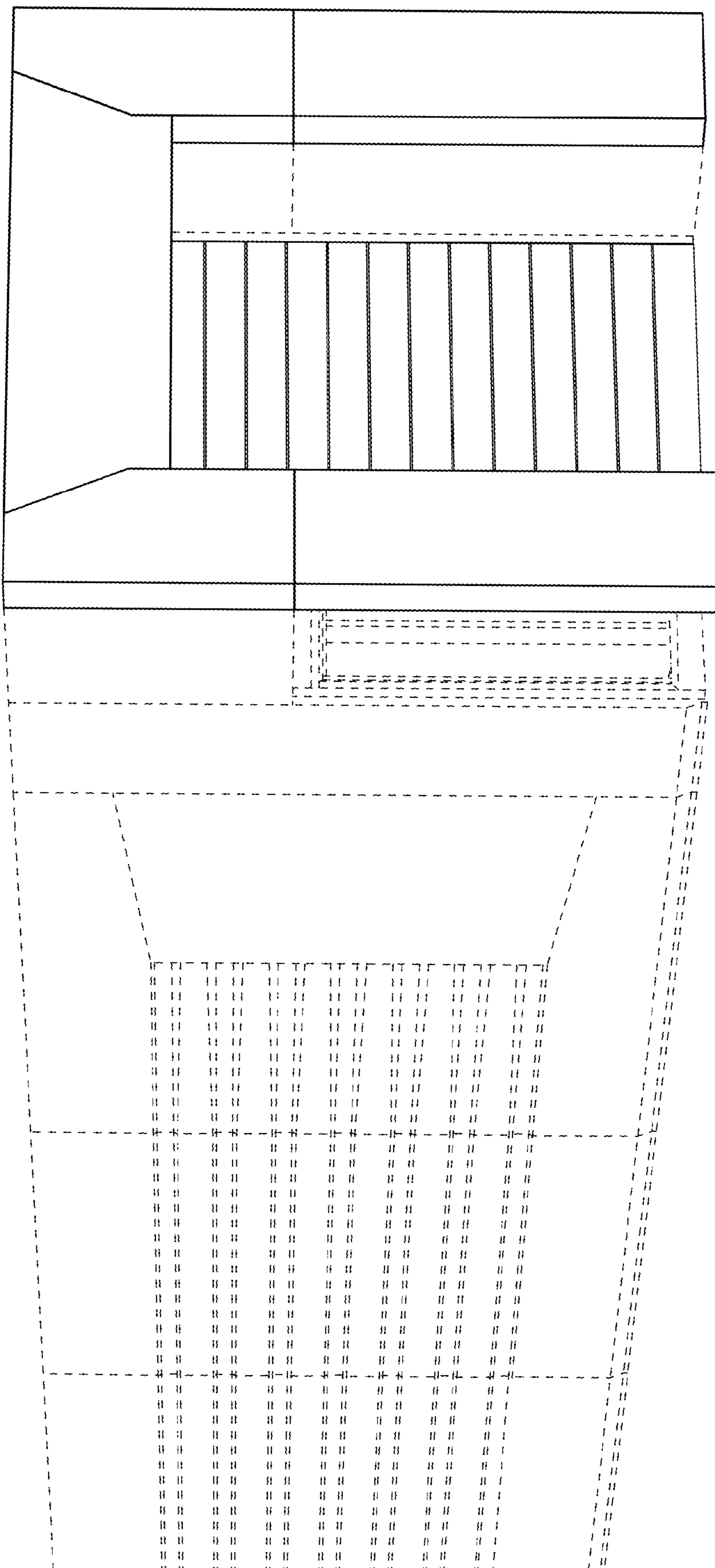


FIG. 11