



US00D897560S

(12) **United States Design Patent** (10) **Patent No.:** **US D897,560 S**
Keithley et al. (45) **Date of Patent:** **** Sep. 29, 2020**

(54) **SHADE STRUCTURE**

(71) Applicants: **Kyle Keithley**, Temple, GA (US);
Dennis Jacobs, Villa Rica, GA (US);
Tommy Rampley, Dallas, GA (US)

(72) Inventors: **Kyle Keithley**, Temple, GA (US);
Dennis Jacobs, Villa Rica, GA (US);
Tommy Rampley, Dallas, GA (US)

(73) Assignee: **SUPERIOR INTERNATIONAL INDUSTRIES, INC.**, Carrollton, GA (US)

(**) Term: **15 Years**

(21) Appl. No.: **29/664,164**

(22) Filed: **Sep. 21, 2018**

(51) **LOC (12) Cl.** **25-02**

(52) **U.S. Cl.**
USPC **D25/56**

(58) **Field of Classification Search**
USPC D3/5; D21/834, 837, 838, 839; D25/56, D25/57
CPC E04H 15/02; E04H 15/18; E04B 7/105; E04B 7/14
See application file for complete search history.

(56) **References Cited**

U.S. PATENT DOCUMENTS

D193,235 S *	7/1962	McNew	D25/56
D459,871 S *	7/2002	Persson	D3/5
D628,711 S *	12/2010	Mathis	D25/56
D628,712 S *	12/2010	Mathis	D25/56
D787,705 S *	5/2017	Grano	D25/23
D843,710 S *	3/2019	Morel	D3/5
D852,489 S *	7/2019	Morel	D3/5
2017/0284123 A1 *	10/2017	Pena	E04F 10/02
2017/0363131 A1 *	12/2017	Pena	E04H 15/322

OTHER PUBLICATIONS

Pinwheel Sail Shade—Gulf Coast Recreation <https://gulfcoastrecreation.com/shop/pinwheel-sail-shade/> May 2019 (Year: 2019).*
Playgo Publicaciones Facebook <https://es-la.facebook.com/playgoco/photos/a.408027006299007/648945788873793/?type=3&theater> Posted Mar. 15, 2019 (Year: 2019).*
Superior Recreational Playgrounds Catalog 2019 by noahsplay issuu https://issuu.com/noahsplay/docs/2019_superior_recreational_products Published May 14, 2019 (Year: 2019).*

* cited by examiner

Primary Examiner — Leanne Was-Englehart

(74) *Attorney, Agent, or Firm* — McAndrews, Held & Malloy, Ltd.

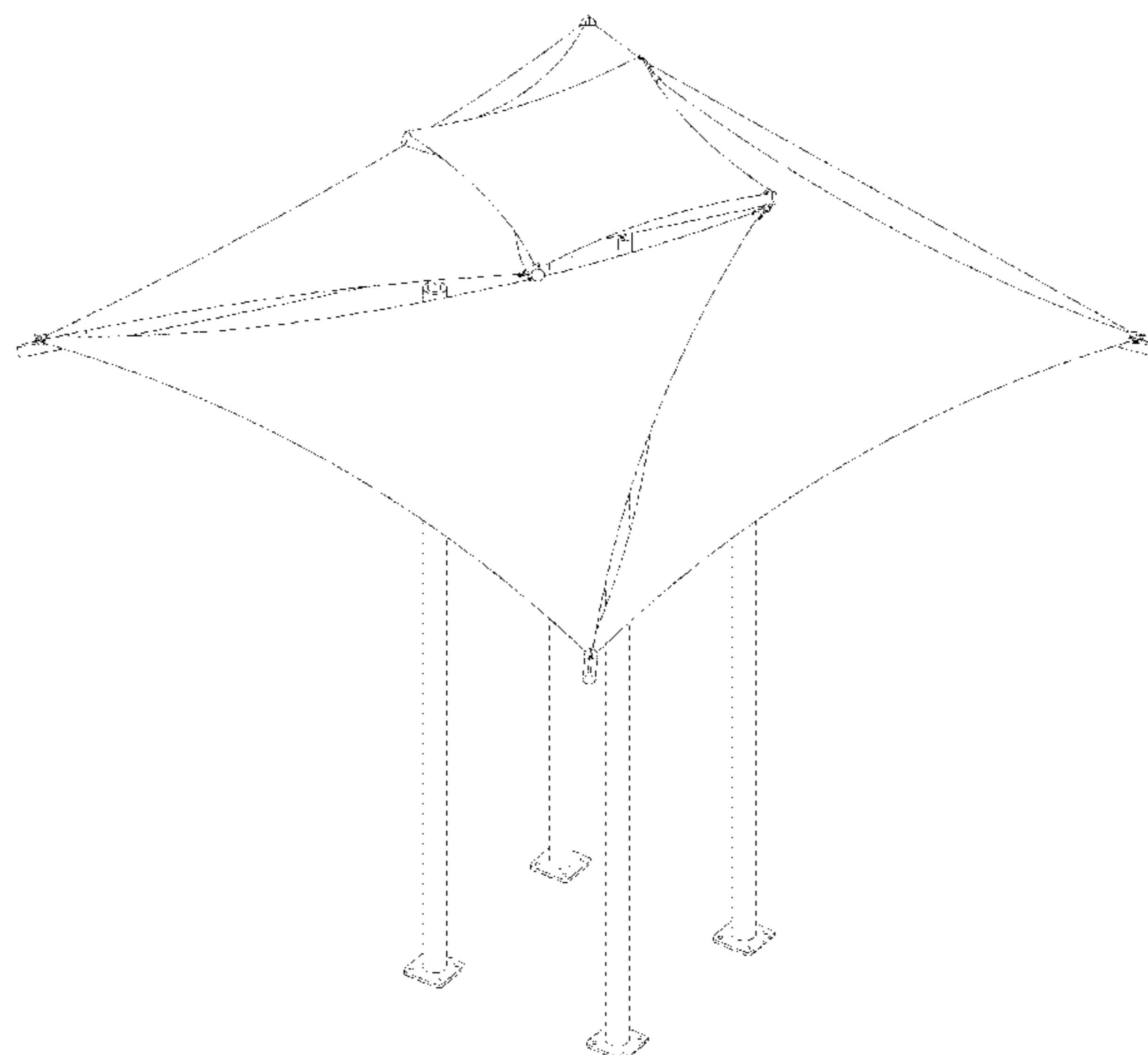
(57) **CLAIM**

The ornamental design for a shade structure, as shown and described.

DESCRIPTION

FIG. 1 is a top perspective view of a shade structure showing our new design;
FIG. 2 is a front elevational view thereof;
FIG. 3 is a rear elevational view thereof;
FIG. 4 is a right side elevational view thereof;
FIG. 5 is a left side elevational view thereof;
FIG. 6 is a top plan view thereof;
FIG. 7 is a top perspective view of the shade structure of FIG. 1 showing the canopies removed for clarity of illustration;
FIG. 8 is a front elevational view thereof;
FIG. 9 is a rear elevational view thereof;
FIG. 10 is a right side elevational view thereof;
FIG. 11 is a left side elevational view thereof; and,
FIG. 12 is a top plan view thereof.
The broken lines depict portions of the shade structure that form no part of the claimed design.
Views of the shade structure not shown form no part of the claimed design.

1 Claim, 12 Drawing Sheets



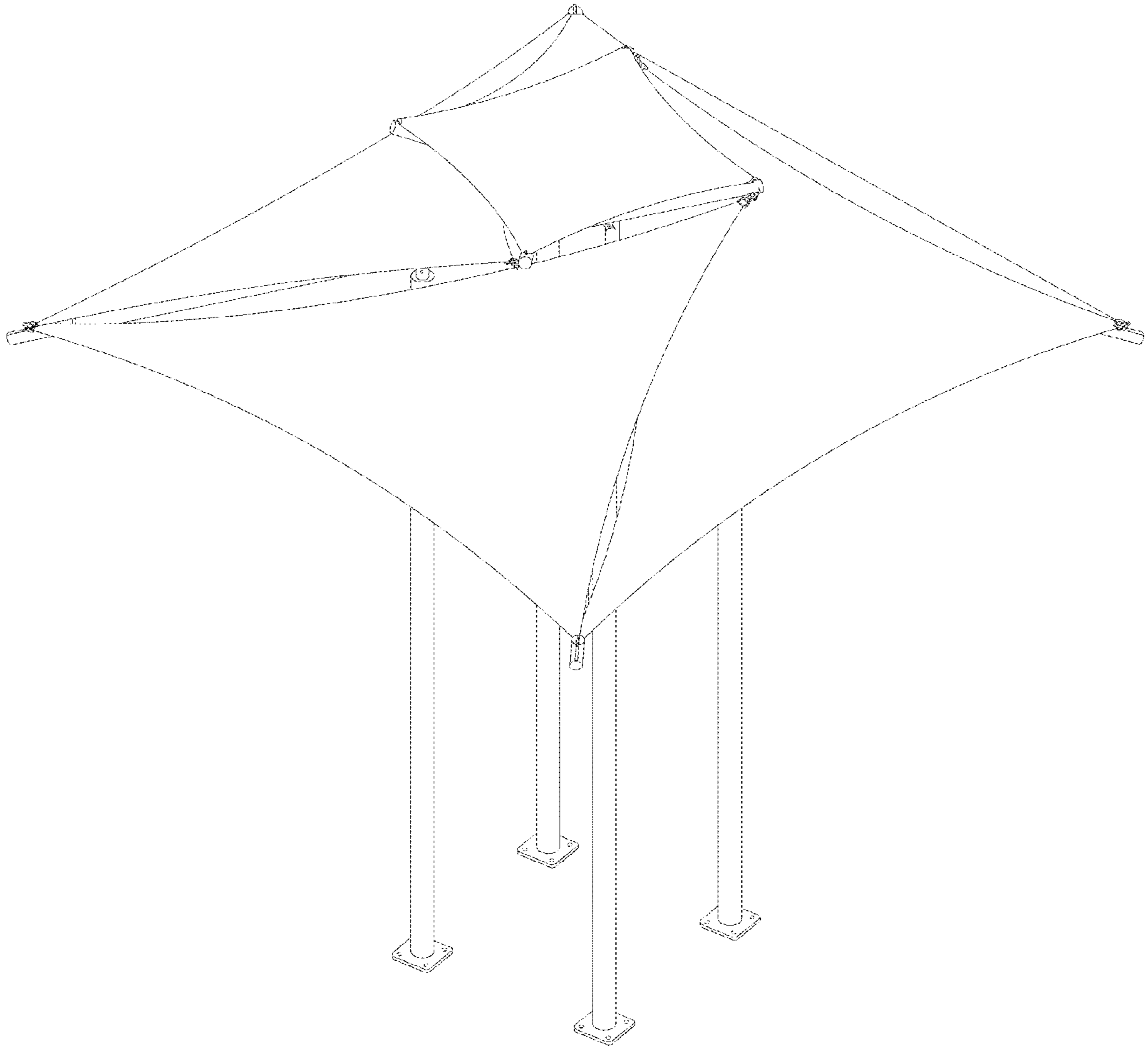


FIG. 1

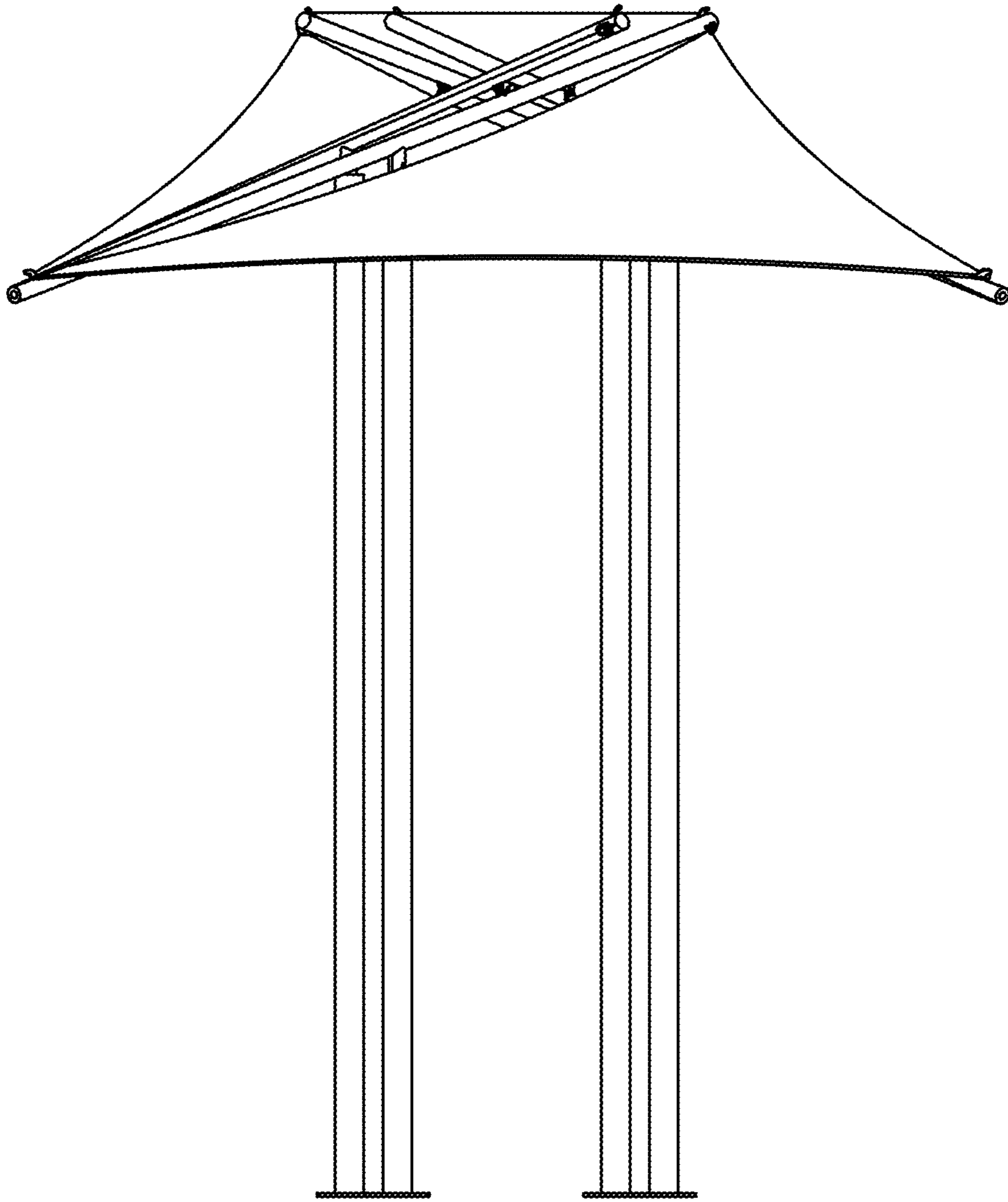


FIG. 2

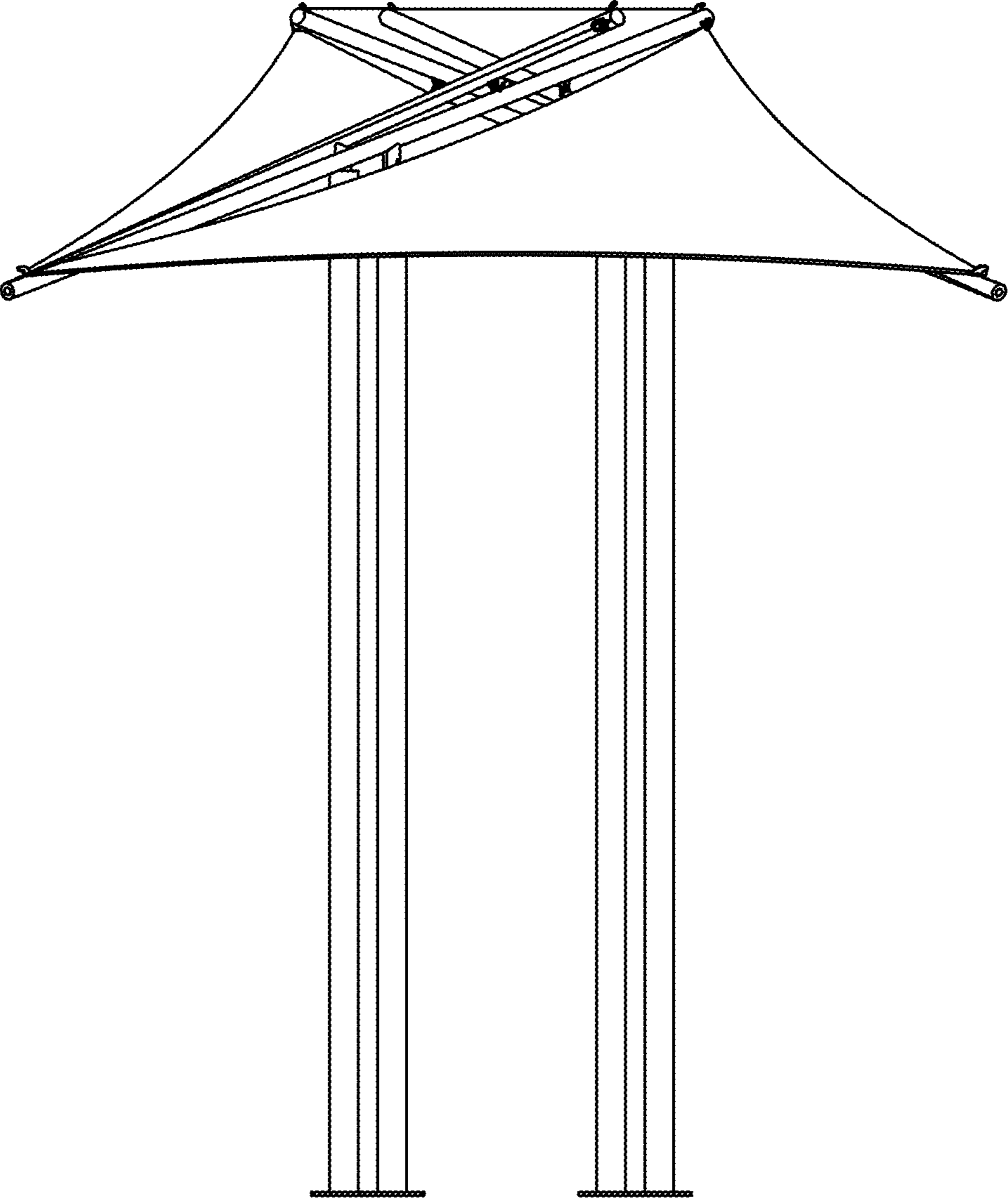


FIG. 3

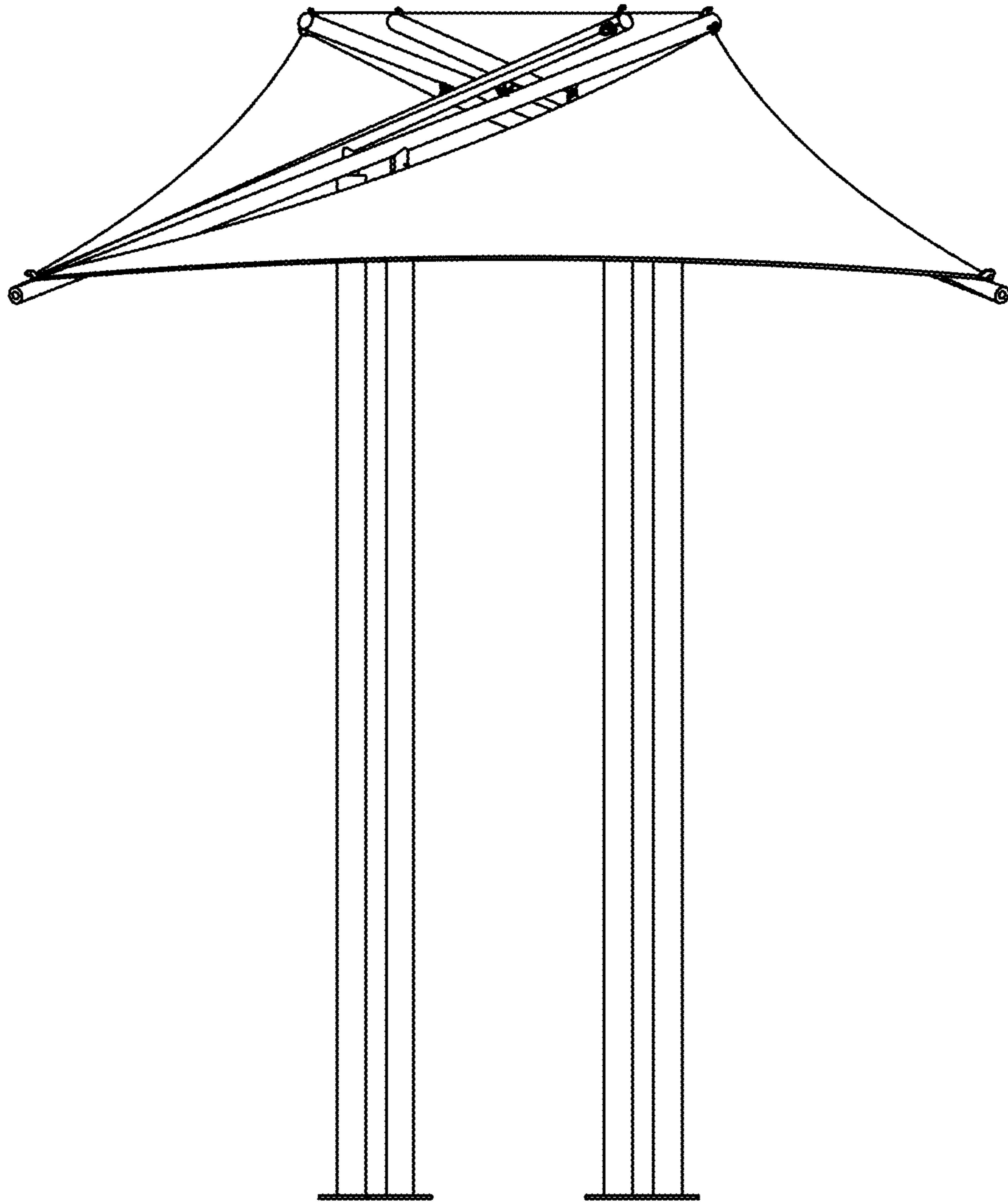


FIG. 4

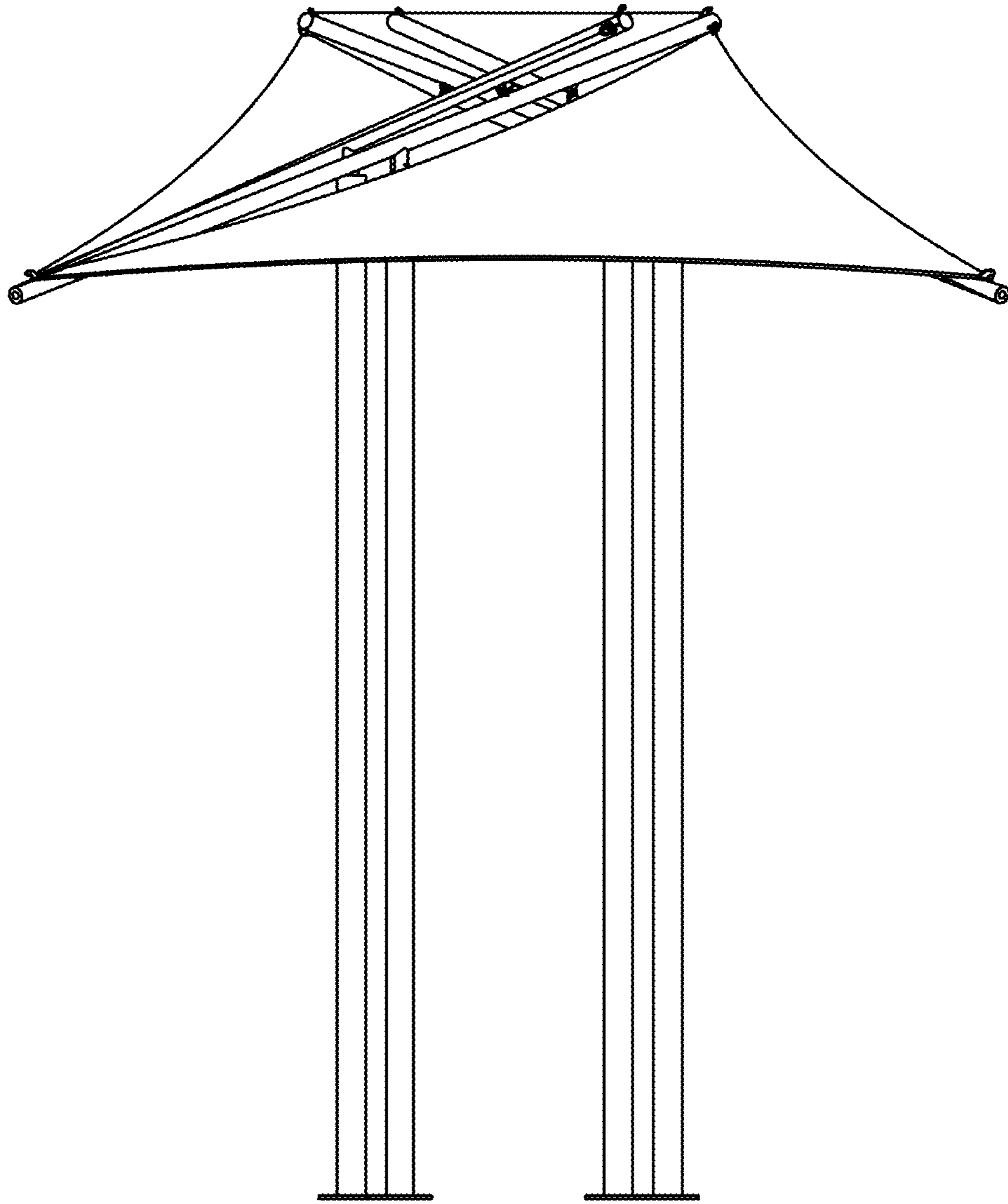


FIG. 5

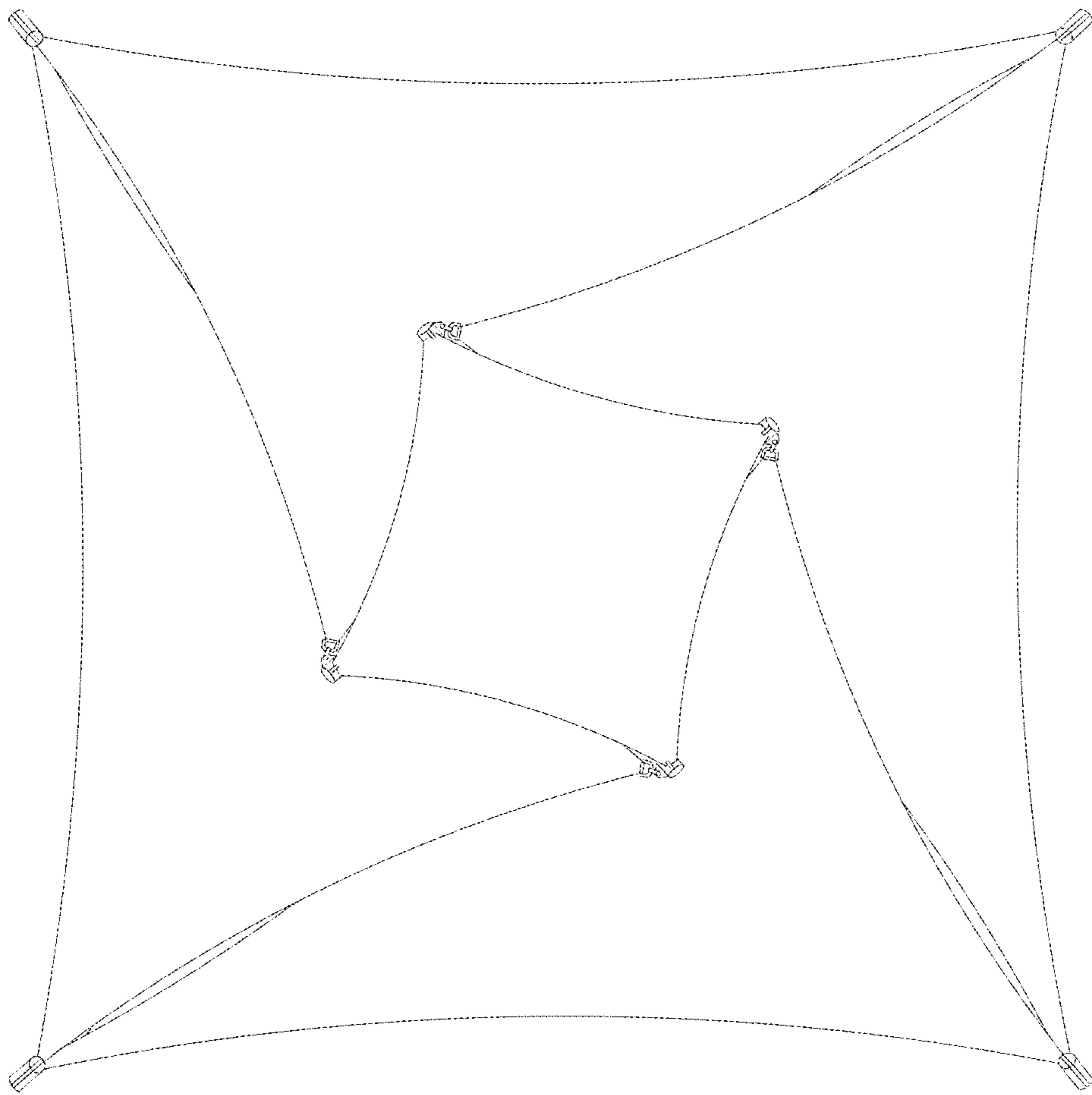


FIG. 6

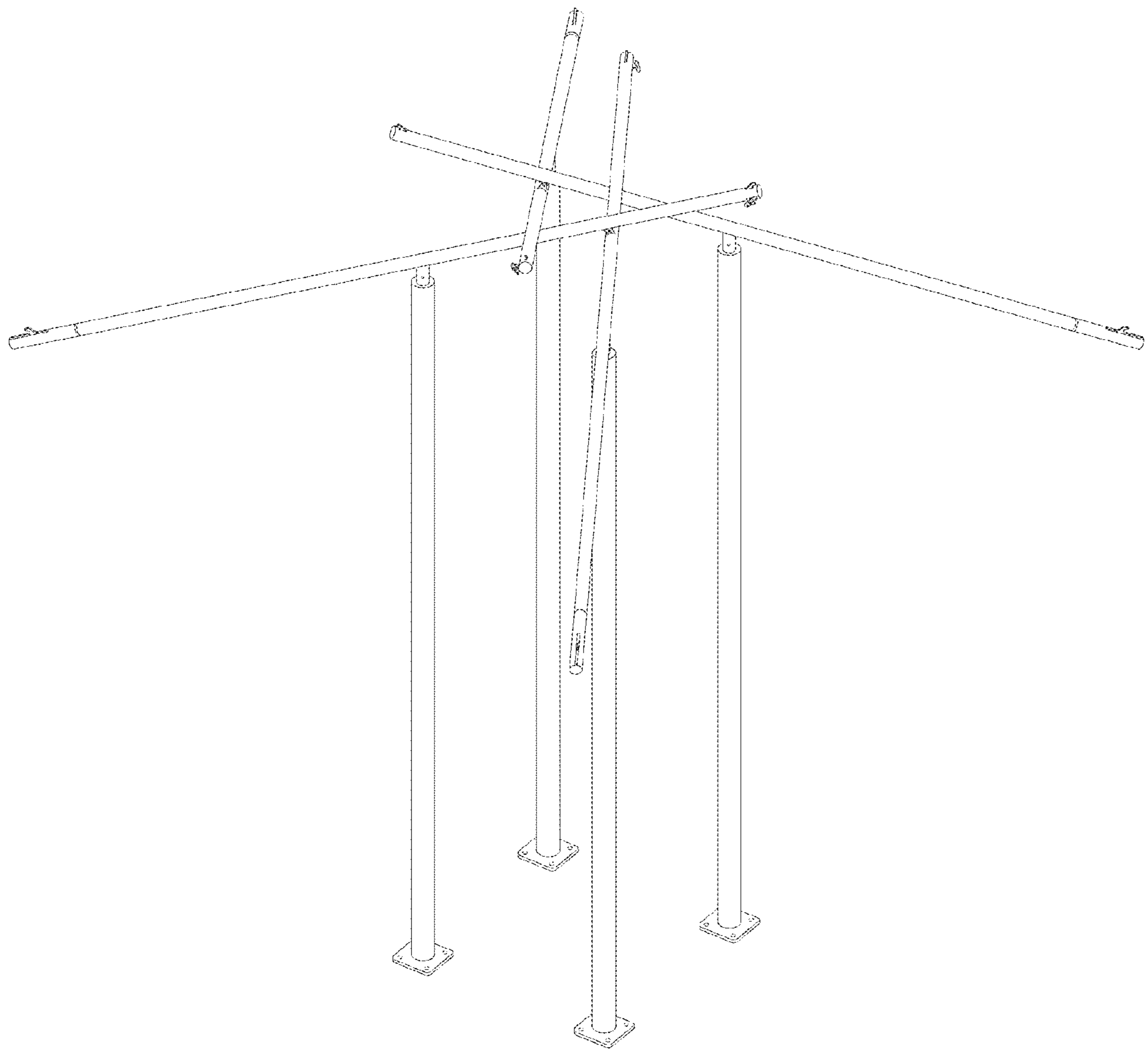


FIG. 7

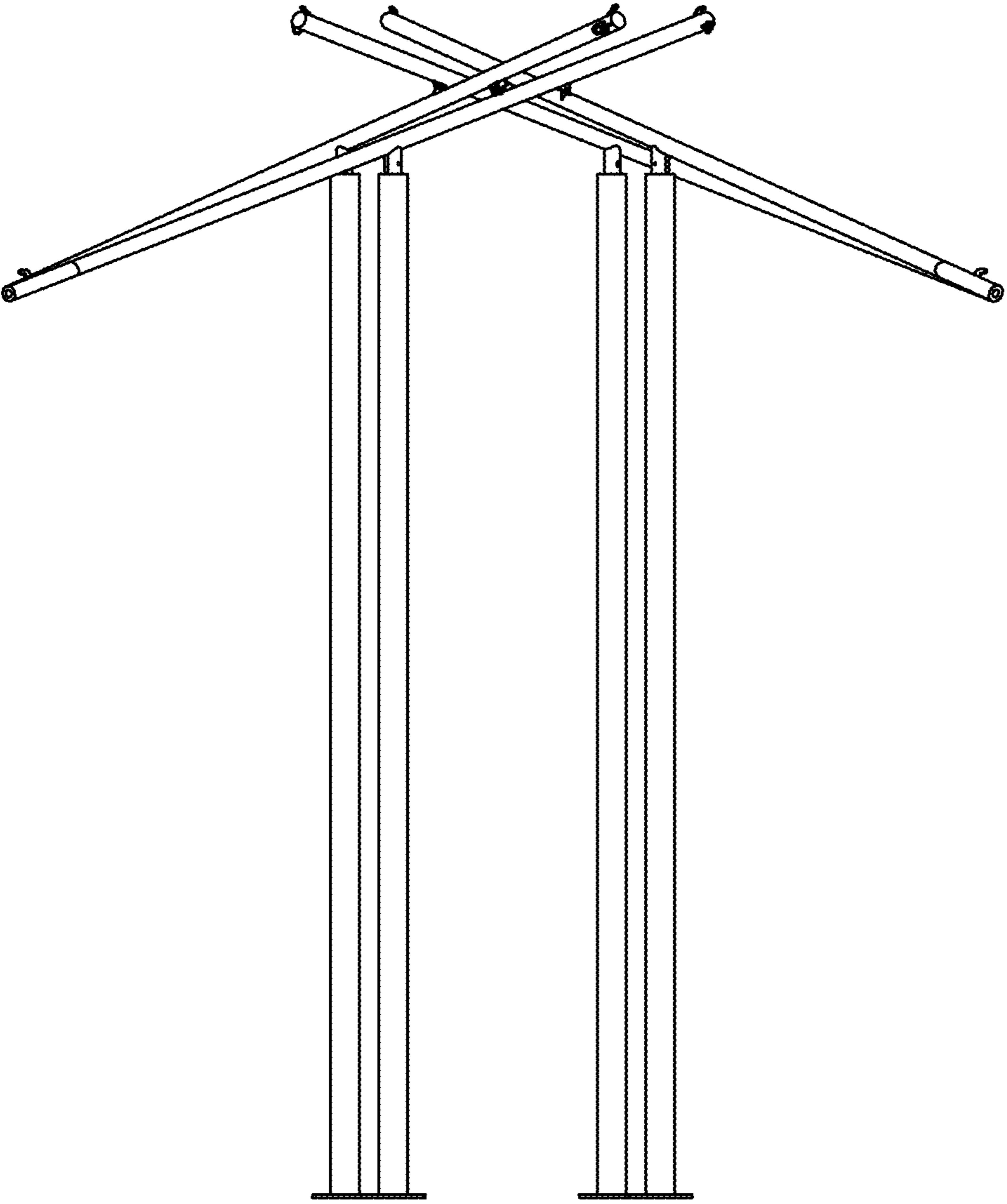


FIG. 8

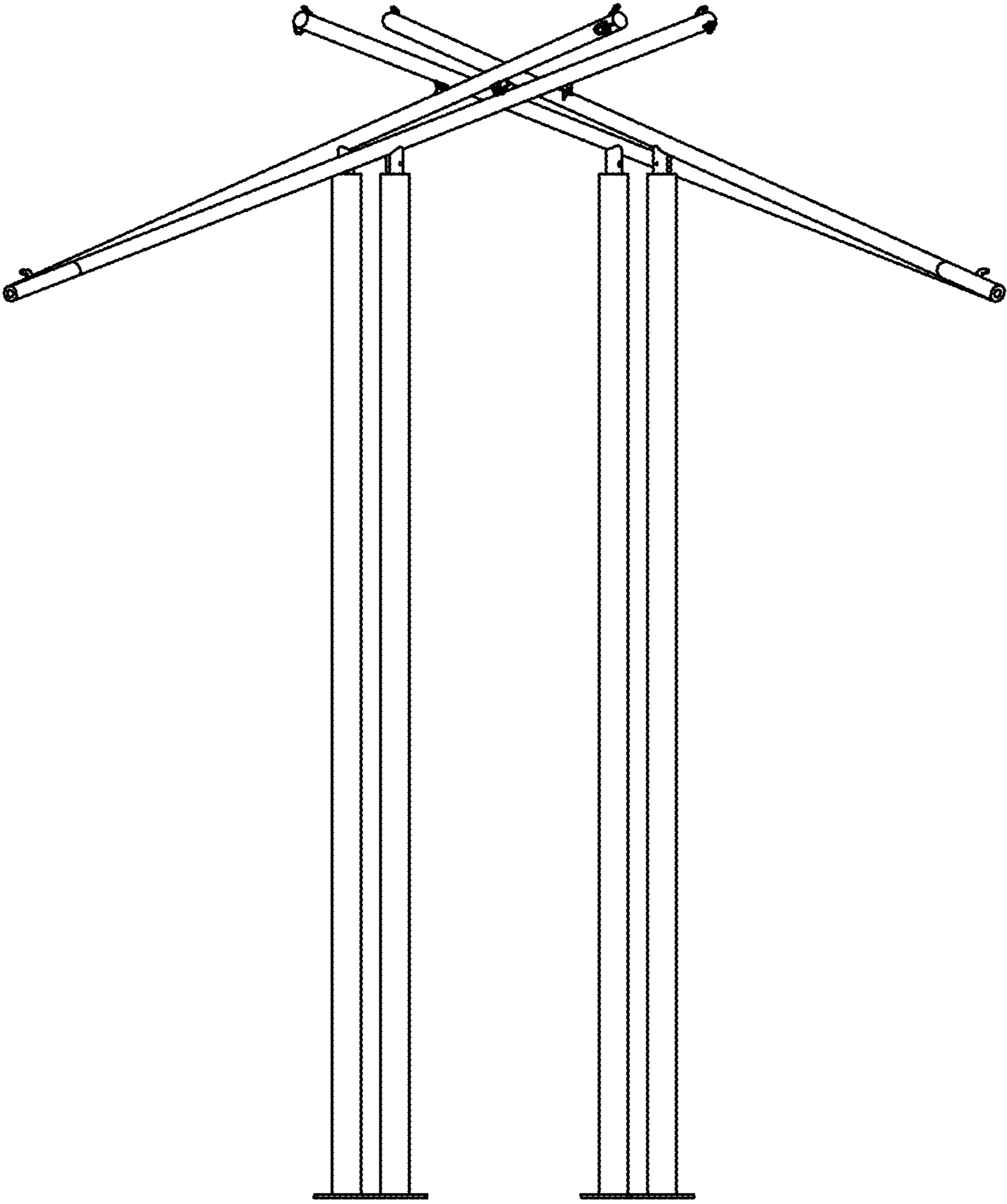


FIG. 9

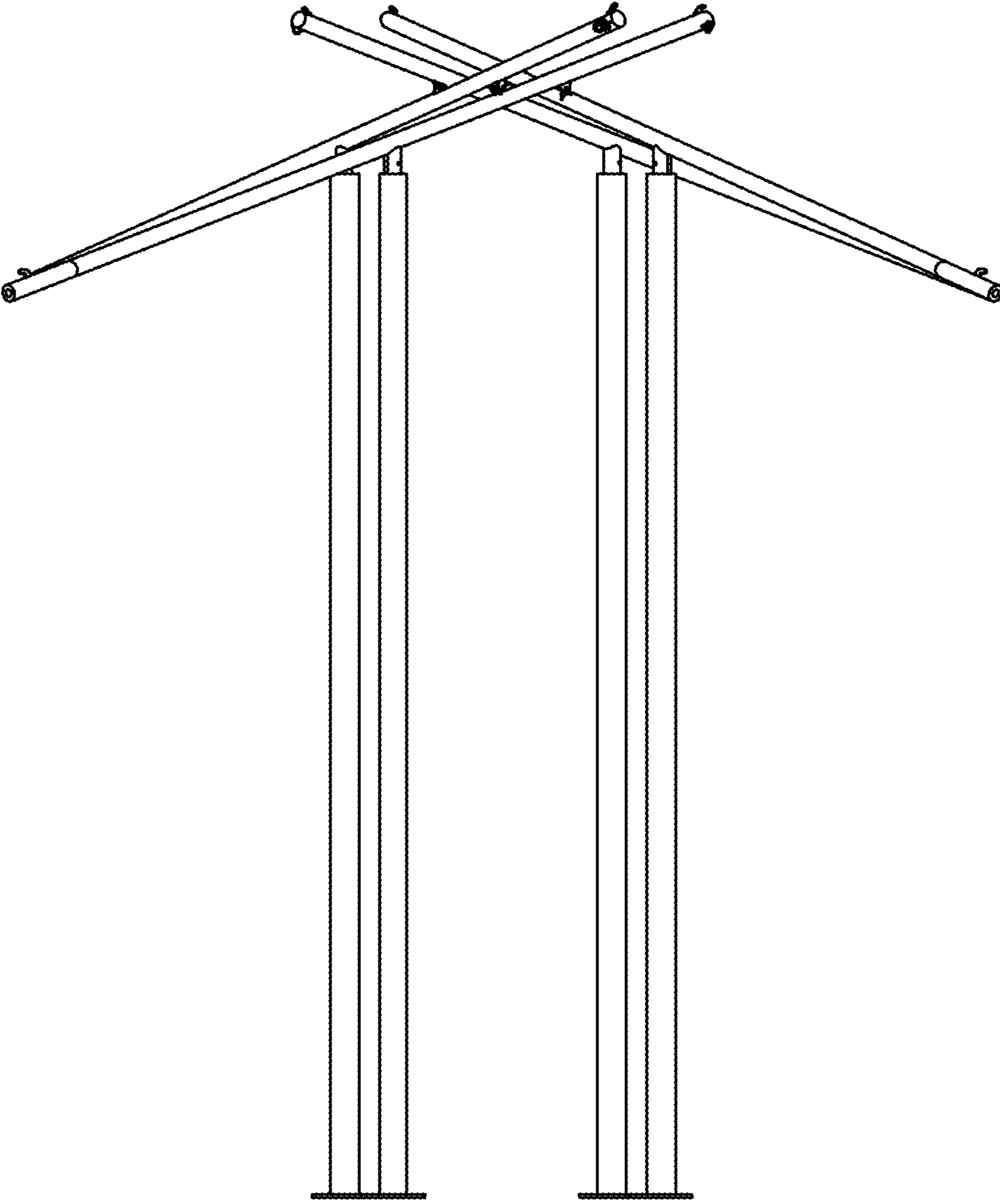


FIG. 10

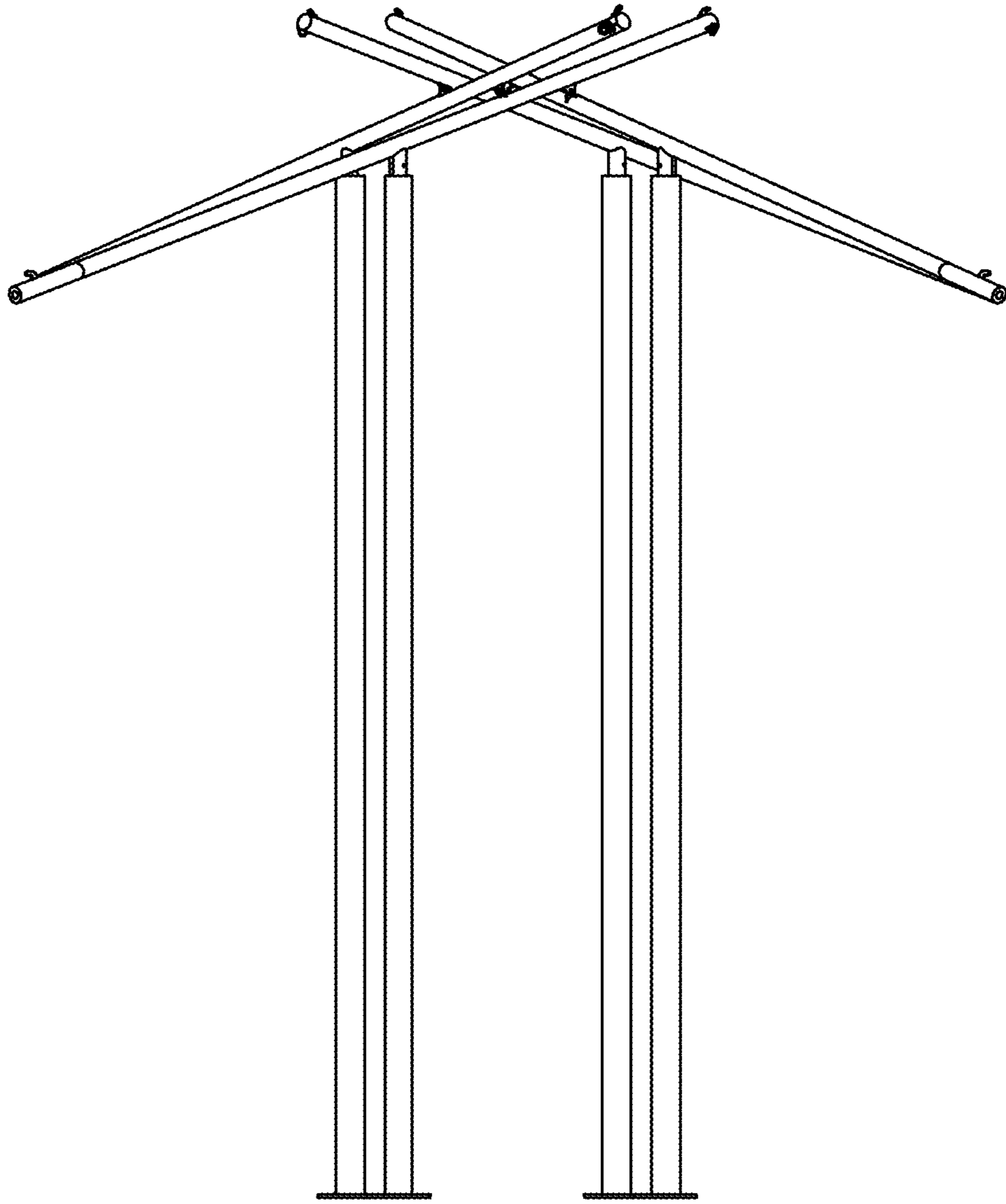


FIG. 11

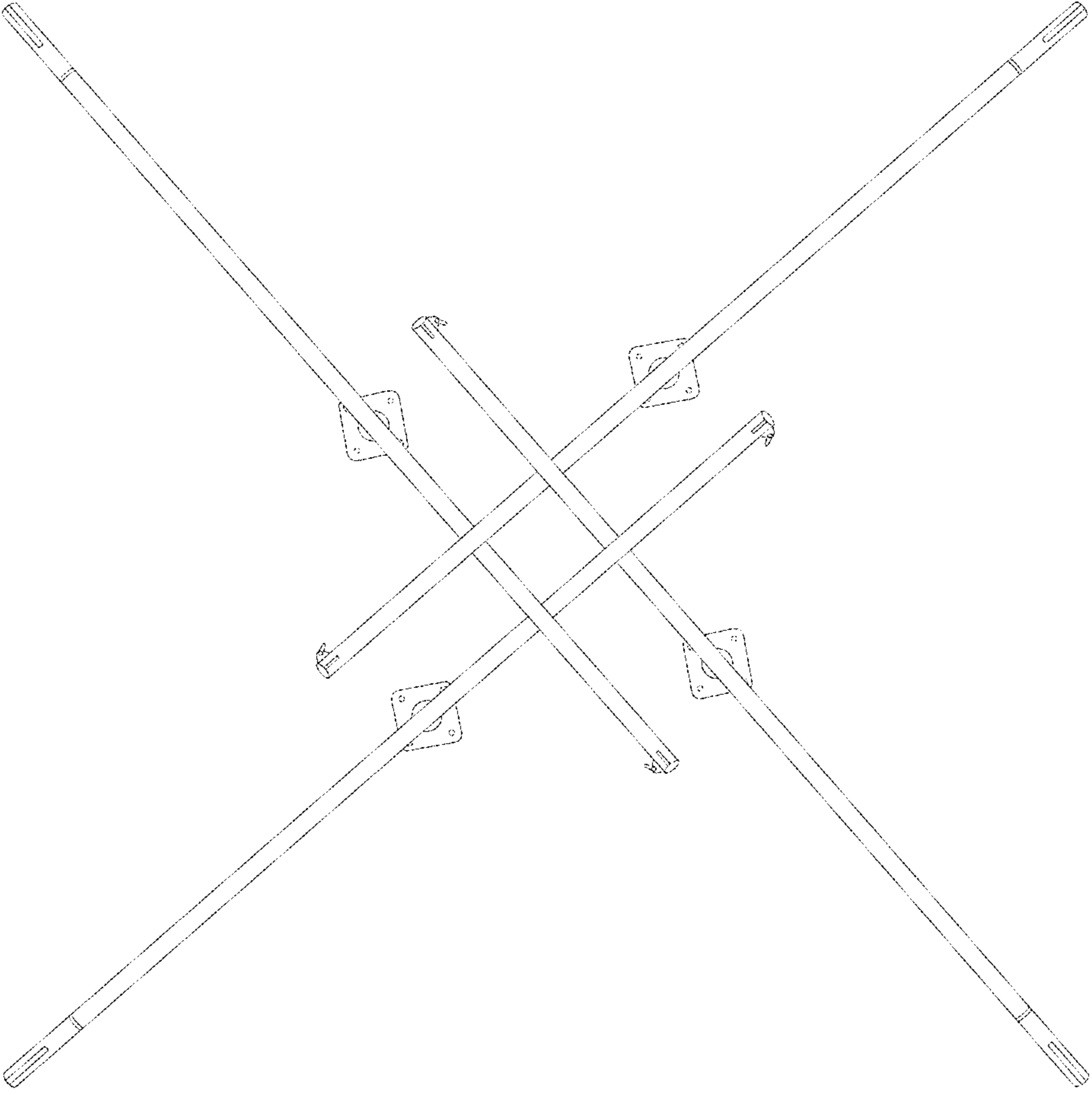


FIG. 12