



US00D897559S

(12) **United States Design Patent** (10) **Patent No.:** **US D897,559 S**  
**Taylor** (45) **Date of Patent:** **\*\* Sep. 29, 2020**

- (54) **PET DOOR ASSEMBLY**
- (71) Applicant: **James Taylor**, Evansville, IN (US)
- (72) Inventor: **James Taylor**, Evansville, IN (US)
- (\*\*) Term: **15 Years**
- (21) Appl. No.: **29/664,273**
- (22) Filed: **Sep. 24, 2018**

D400,265	S	*	10/1998	Davlantes	.....	D25/48.3
D406,904	S	*	3/1999	Sronce	.....	D25/48.3
D407,500	S	*	3/1999	Gribble	.....	D25/48.3
8,240,085	B2		8/2012	Hill		
8,464,663	B2		6/2013	Kodat		
9,249,617	B2	*	2/2016	Bosserdet, Jr.	.....	E06B 7/32
D849,269	S	*	5/2019	Yi	.....	D25/48.3
2004/0100386	A1		5/2004	Tendler		
2004/0194725	A1	*	10/2004	Ozeri	.....	A01K 1/033 119/484
2005/0252622	A1		11/2005	Reid		
2005/0284402	A1		12/2005	Becker		
2008/0278335	A1		11/2008	Welte		

(Continued)

**Related U.S. Application Data**

- (63) Continuation-in-part of application No. 14/587,269, filed on Dec. 31, 2014, now abandoned.
- (51) **LOC (12) Cl.** ..... **25-02**
- (52) **U.S. Cl.**  
USPC ..... **D25/48.3**
- (58) **Field of Classification Search**  
USPC ..... D25/48.1, 48.3, 55, 60, 138; D30/199  
CPC ... E06B 7/32; G07C 9/00309; G07C 9/00896;  
G07C 9/28; G07C 2009/00793; Y10T  
70/5199; A01K 15/02; H04Q 2213/13095;  
E05F 15/611; E05F 15/76; E05F 15/77;  
E05B 47/0001  
See application file for complete search history.

**FOREIGN PATENT DOCUMENTS**

JP D1199724 \* 3/2004

*Primary Examiner* — Leanne Was-Englehart

(57) **CLAIM**

The ornamental design for a pet door assembly, as shown and described.

**DESCRIPTION**

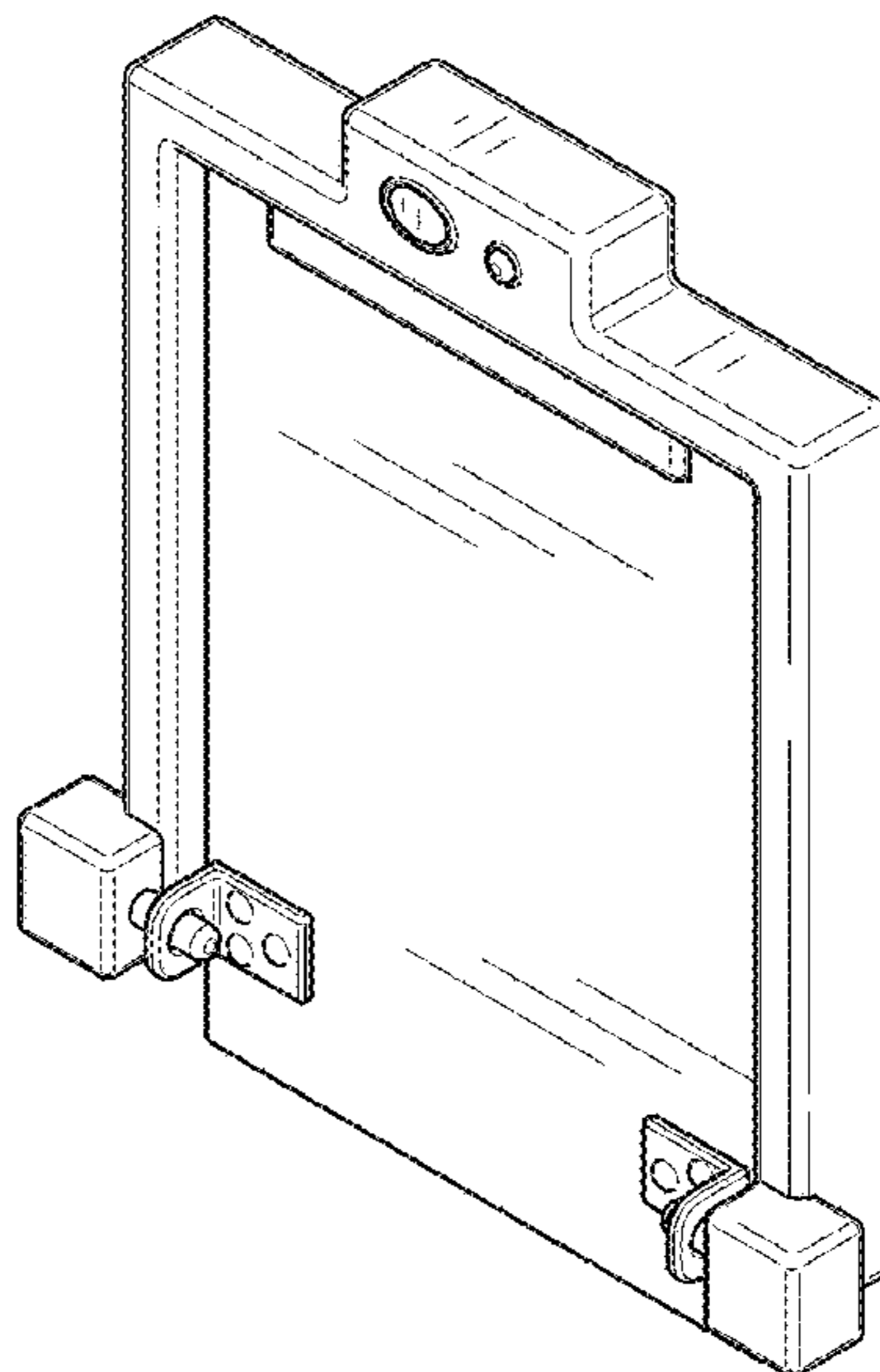
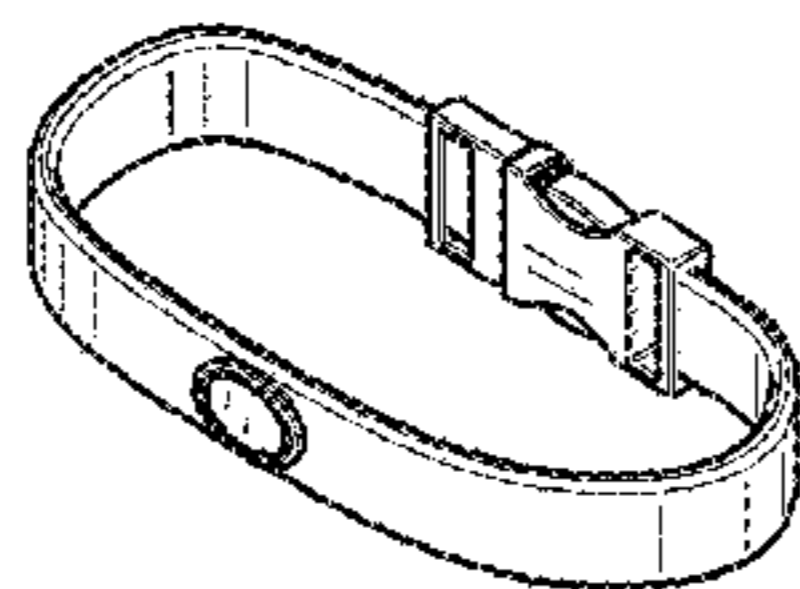
FIG. 1 is a front view of a pet door assembly showing my new design;  
 FIG. 2 is a rear view of the pet door assembly;  
 FIG. 3 is a right side view of the pet door assembly;  
 FIG. 4 is a left side view of the pet door assembly;  
 FIG. 5 is a top view of the pet door assembly;  
 FIG. 6 is a bottom view of the pet door assembly;  
 FIG. 7 is a top front side perspective view of the pet door assembly; and,  
 FIG. 8 is a top front side perspective view of the pet door assembly in use.  
 The broken lines in FIG. 2 depict portions of the pet door assembly that form no part of the claimed design. The broken lines in FIG. 8 illustrate environmental structure forming no part of the claimed design.

**1 Claim, 6 Drawing Sheets**

(56) **References Cited**

**U.S. PATENT DOCUMENTS**

3,184,803	A	*	5/1965	Peel	.....	E06B 7/32 49/388
3,690,299	A	*	9/1972	Johnson	.....	E06B 7/32 119/174
D267,436	S	*	12/1982	Thorne	.....	D25/48.3
D326,914	S	*	6/1992	Kirk	.....	D25/48.3
D334,431	S	*	3/1993	Davlantes	.....	D25/48.3
D334,809	S	*	4/1993	Davlantes	.....	D25/48.3
D334,810	S	*	4/1993	Davlantes	.....	D25/48.3
D378,542	S	*	3/1997	Davlantes	.....	D25/60
D382,649	S	*	8/1997	Davlantes	.....	D25/48.3
D387,179	S	*	12/1997	Davlantes	.....	D25/48.3



(56)

**References Cited**

U.S. PATENT DOCUMENTS

2013/0305609 A1\* 11/2013 Graves ..... E05B 47/0012  
49/168  
2015/0159423 A1\* 6/2015 Fu ..... E06B 3/509  
49/386  
2016/0186485 A1\* 6/2016 Taylor ..... E05B 47/0001  
49/25  
2018/0128043 A1\* 5/2018 Liu ..... A01K 29/005

\* cited by examiner

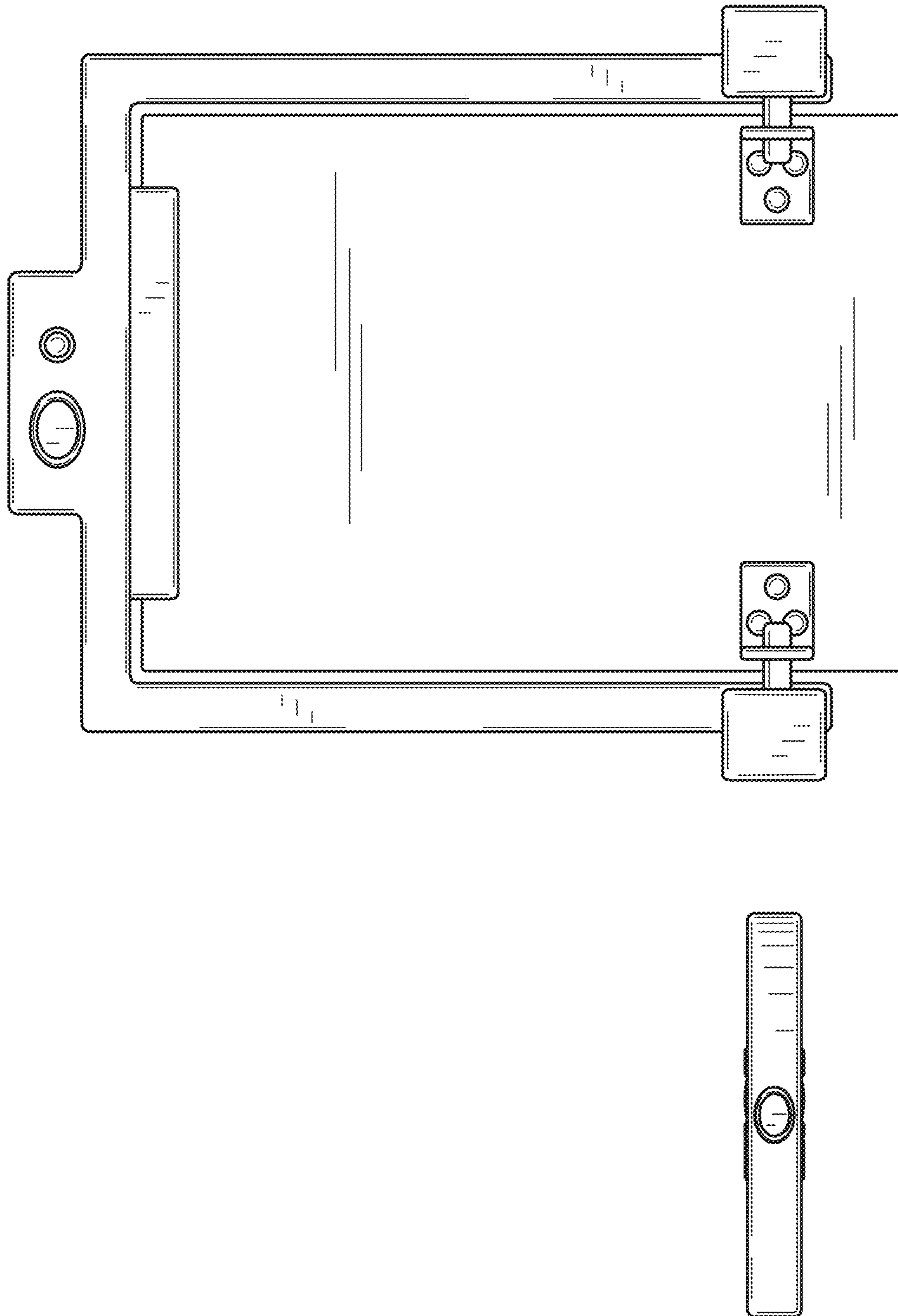


FIG. 1

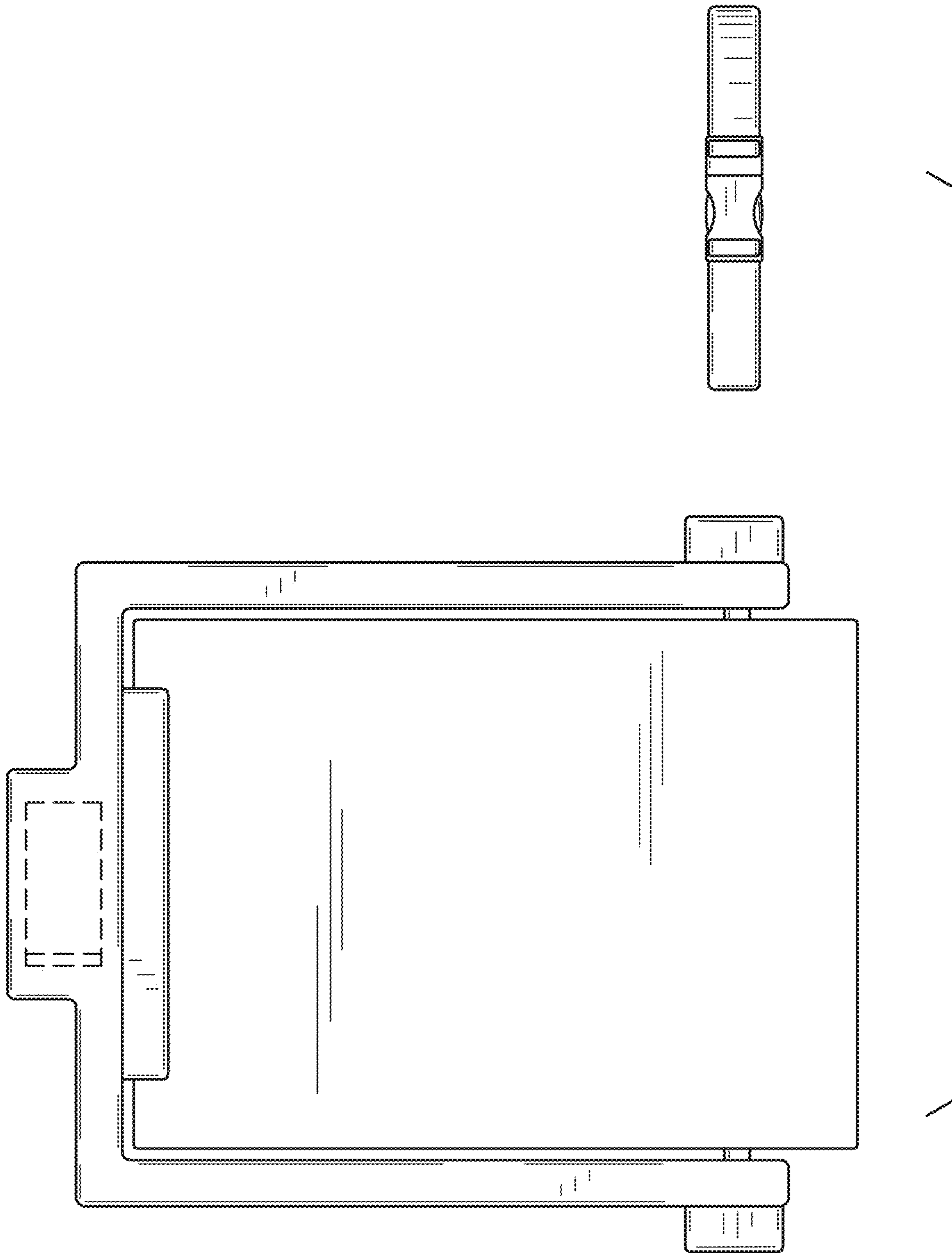


FIG. 2

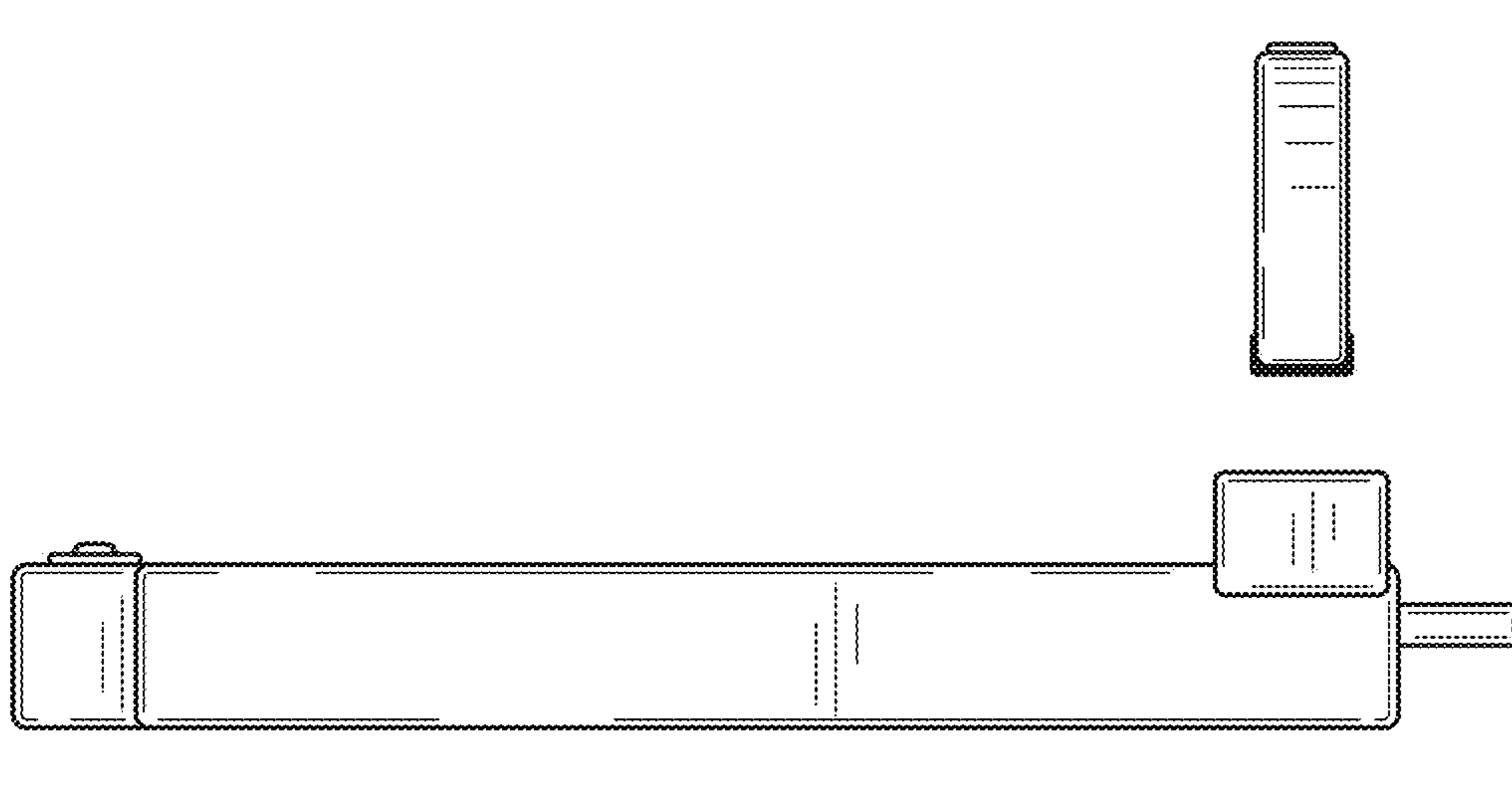


FIG. 4

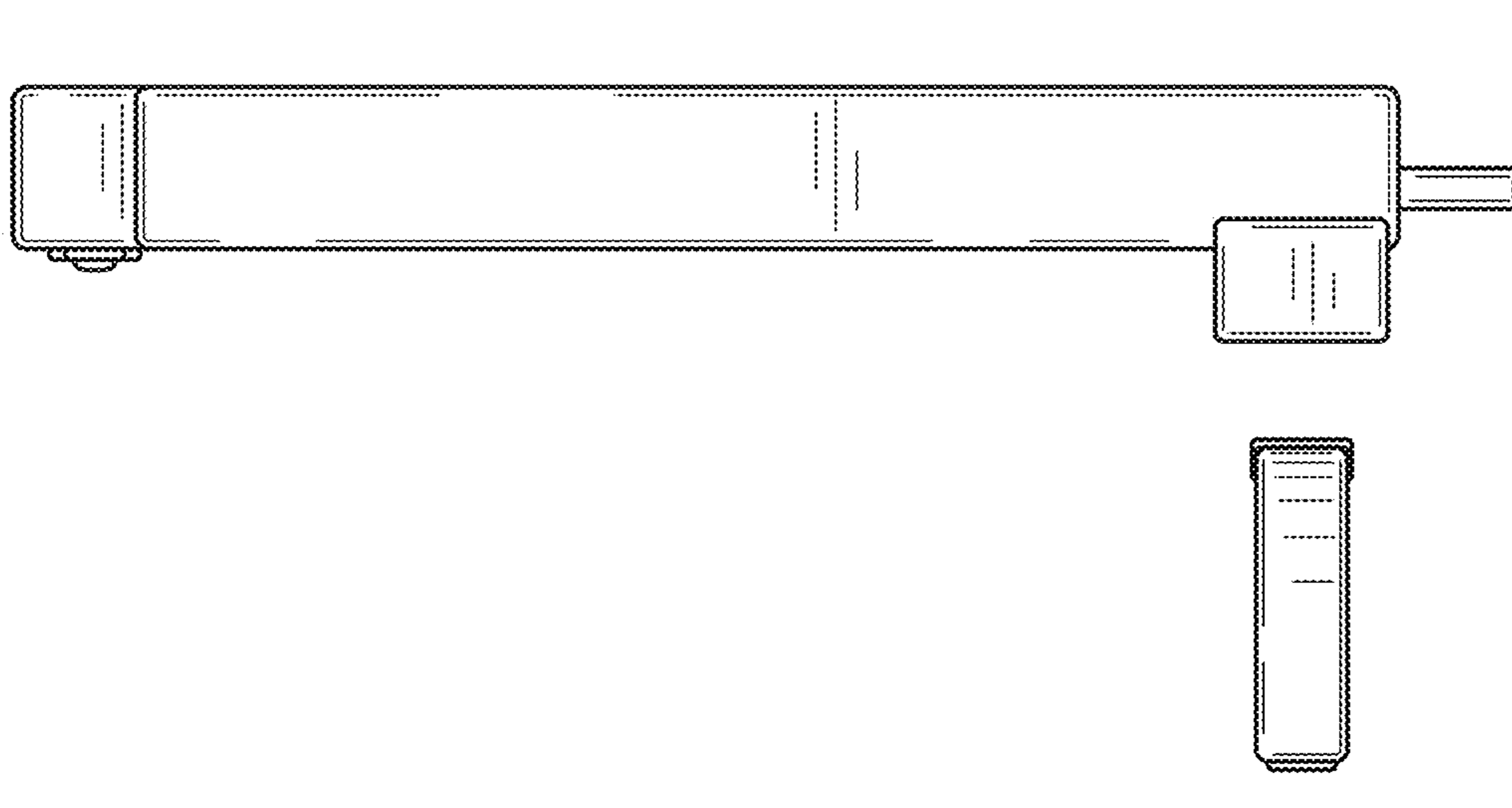


FIG. 3



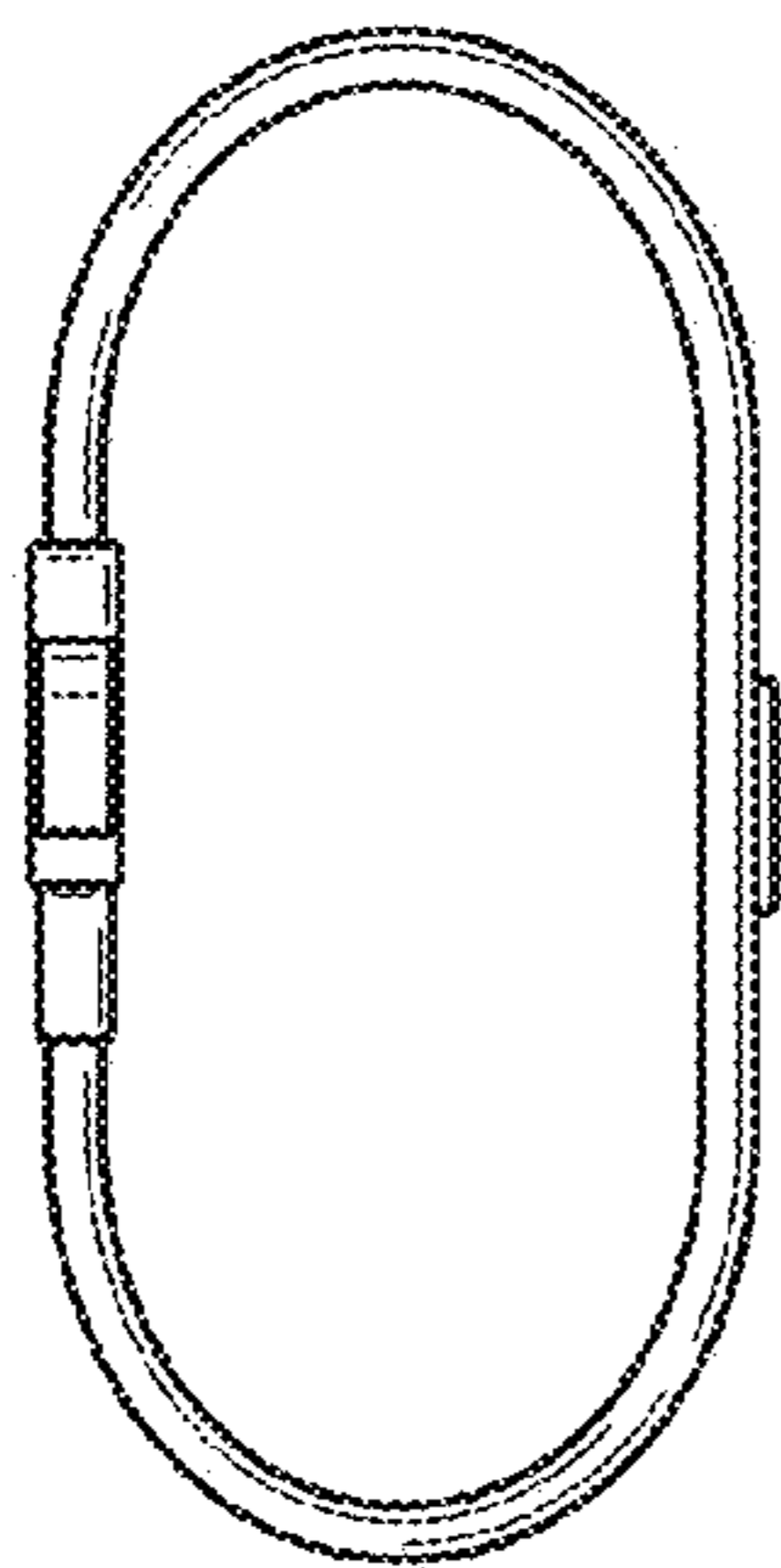
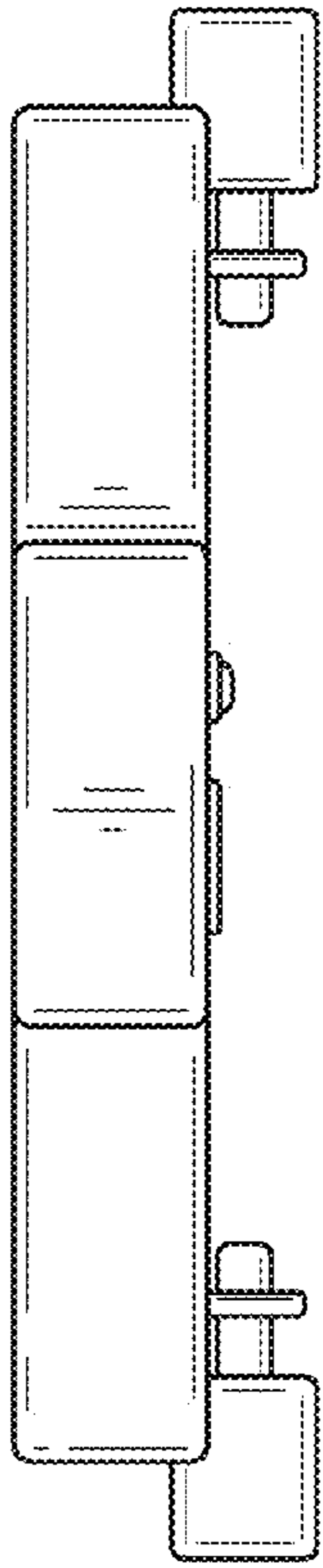


FIG. 5

FIG. 6

