

US00D897558S

(12) **United States Design Patent** (10) **Patent No.:** **US D897,558 S**  
**Le** (45) **Date of Patent:** **\*\* Sep. 29, 2020**

(54) **FENCE**

(71) Applicant: **Phuong Le**, San Jose, CA (US)

(72) Inventor: **Phuong Le**, San Jose, CA (US)

(\*\*) Term: **15 Years**

(21) Appl. No.: **29/699,934**

(22) Filed: **Jul. 30, 2019**

(51) **LOC (12) Cl.** ..... **25-02**

(52) **U.S. Cl.**  
USPC ..... **D25/45**

(58) **Field of Classification Search**  
USPC ..... D25/38.1, 39, 40, 41.1, 42, 43, 44, 45,  
D25/48.8  
CPC ..... E04H 17/00; E04H 17/02; E04H 17/04;  
E04H 17/06; E04H 17/063; E04H 17/14;  
E04H 17/1413; E04H 17/1417; E04H  
17/1421; E04H 17/1426; E04H 17/143;  
E04H 17/1434; E04H 17/1439; E04H  
17/1443; E04H 17/16; E04H 17/161;  
E04H 17/163

See application file for complete search history.

(56) **References Cited**

U.S. PATENT DOCUMENTS

D195,033 S \* 4/1963 Pierce ..... D25/38.1  
4,487,000 A \* 12/1984 Ball ..... E04C 5/04  
52/660  
D283,547 S \* 4/1986 Ghizzi ..... D25/45

\* cited by examiner

*Primary Examiner* — Leanne Was-Englehart

(74) *Attorney, Agent, or Firm* — Patent Law Office, PC

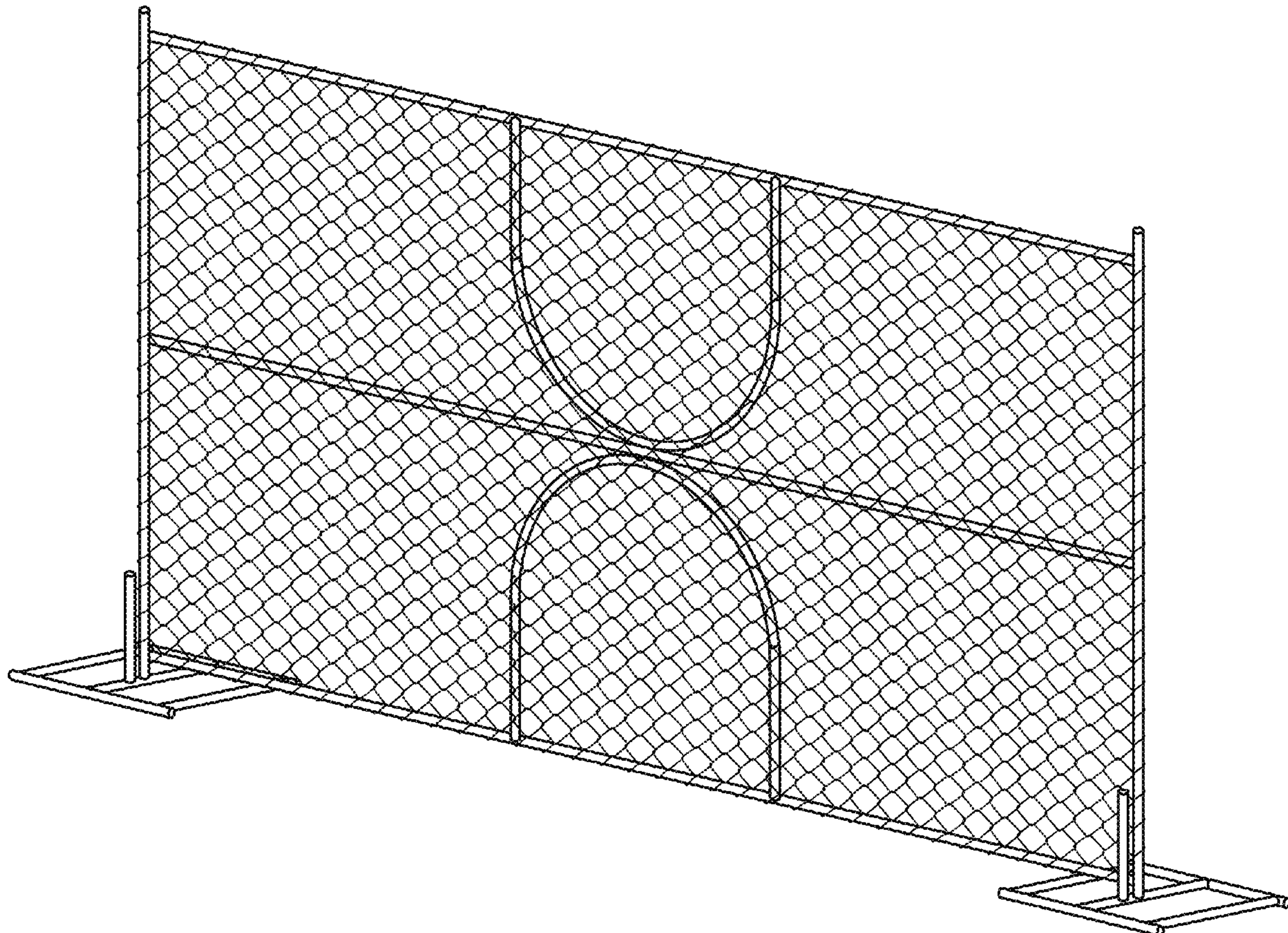
(57) **CLAIM**

The ornamental design for a fence, as shown and described.

**DESCRIPTION**

FIG. 1 is a perspective view of a fence.  
FIG. 2 is a front view of a fence.  
FIG. 3 is a rear view of the fence.  
FIG. 4 is a left side view of the fence.  
FIG. 5 is a right side view of the fence.  
FIG. 6 is a top view of the fence; and,  
FIG. 7 is a bottom view of the fence.

**1 Claim, 5 Drawing Sheets**





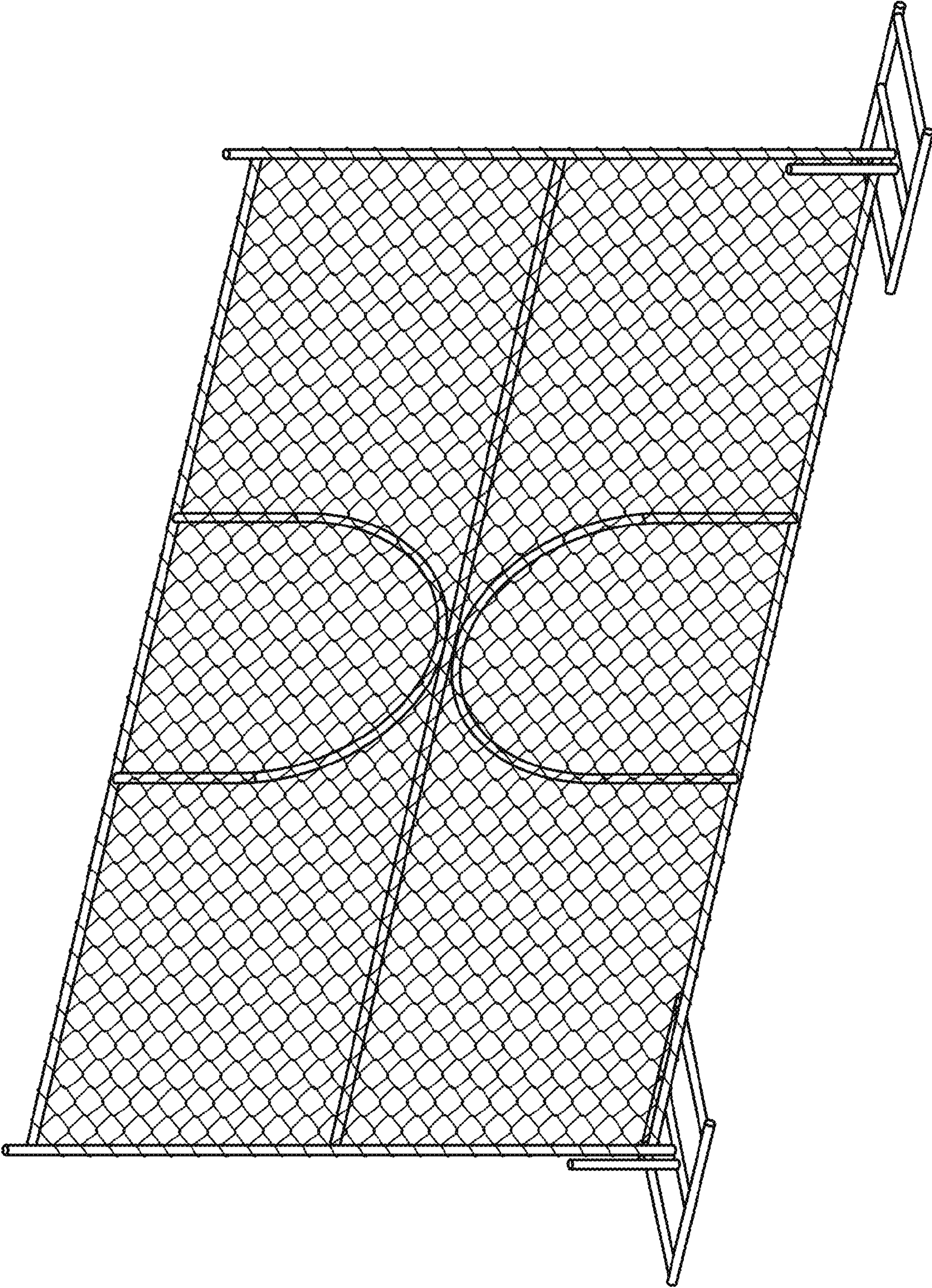


FIG. 1



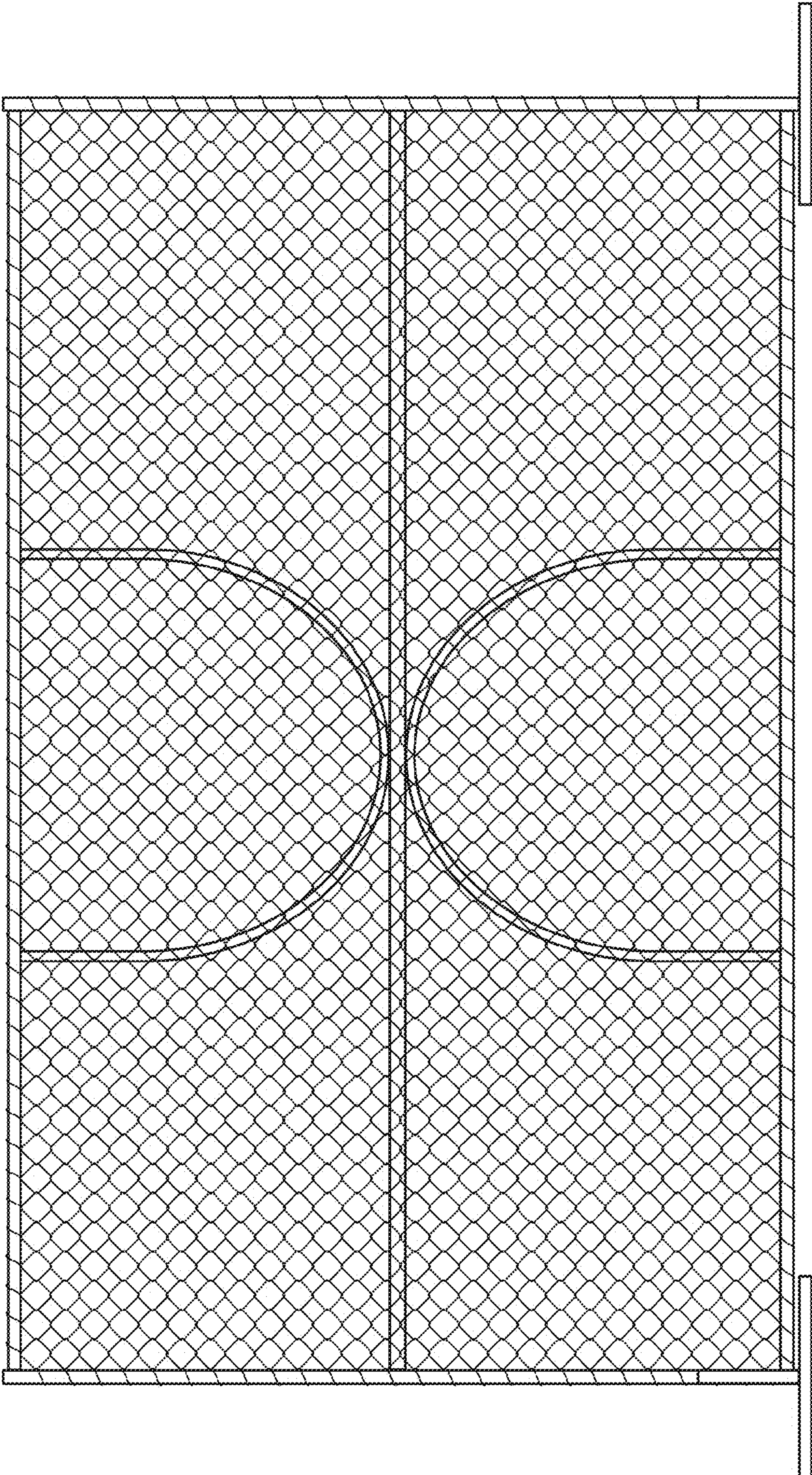


FIG. 2



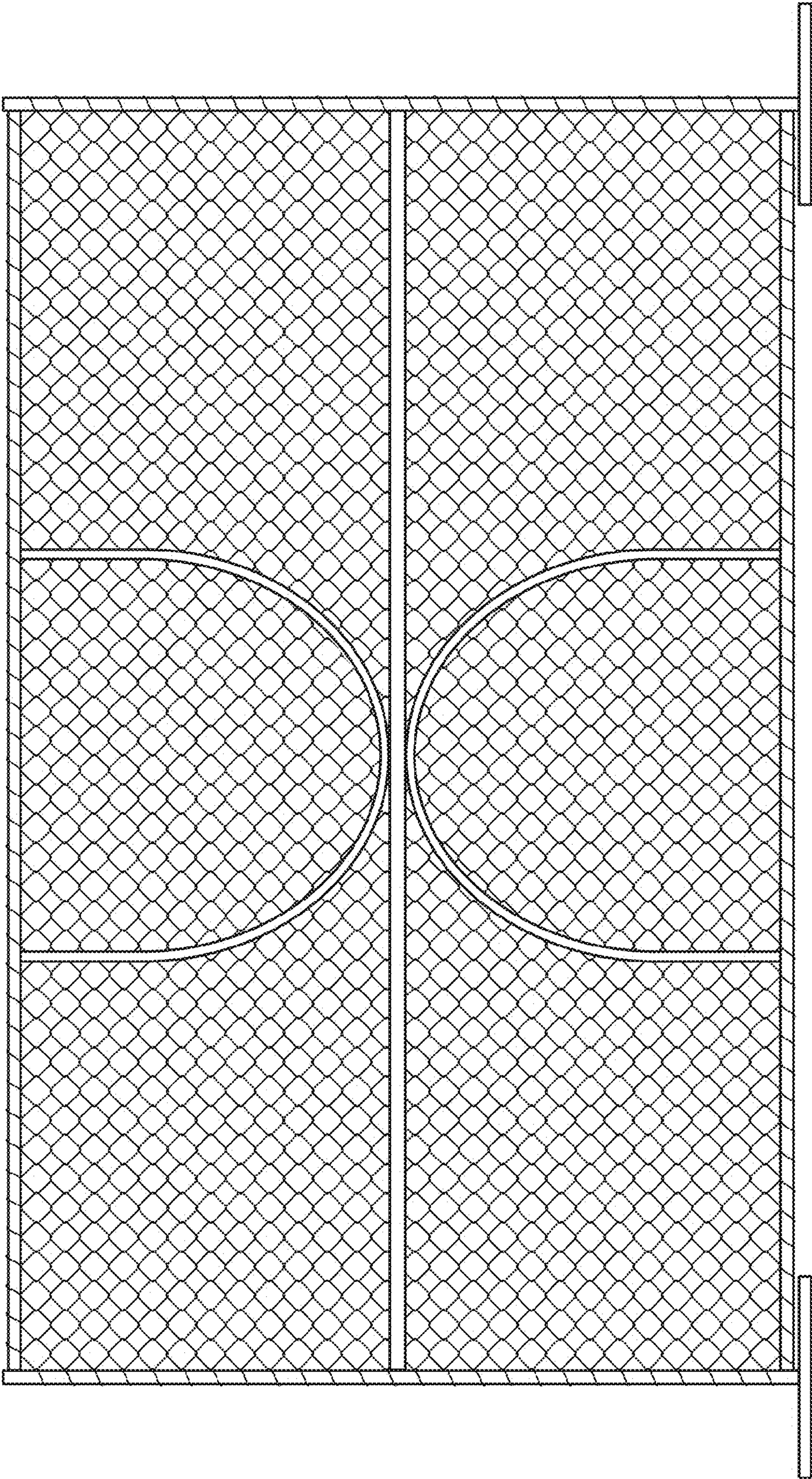


FIG. 3



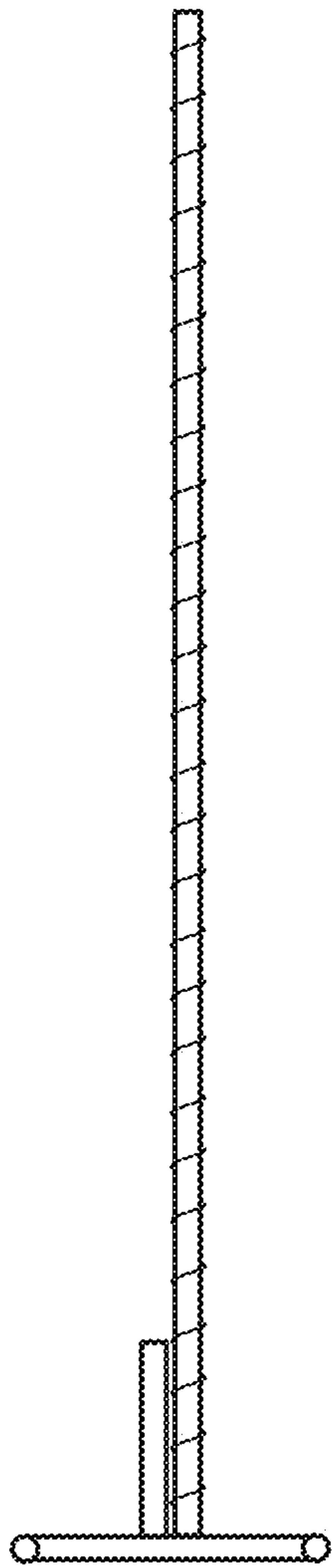


FIG. 4

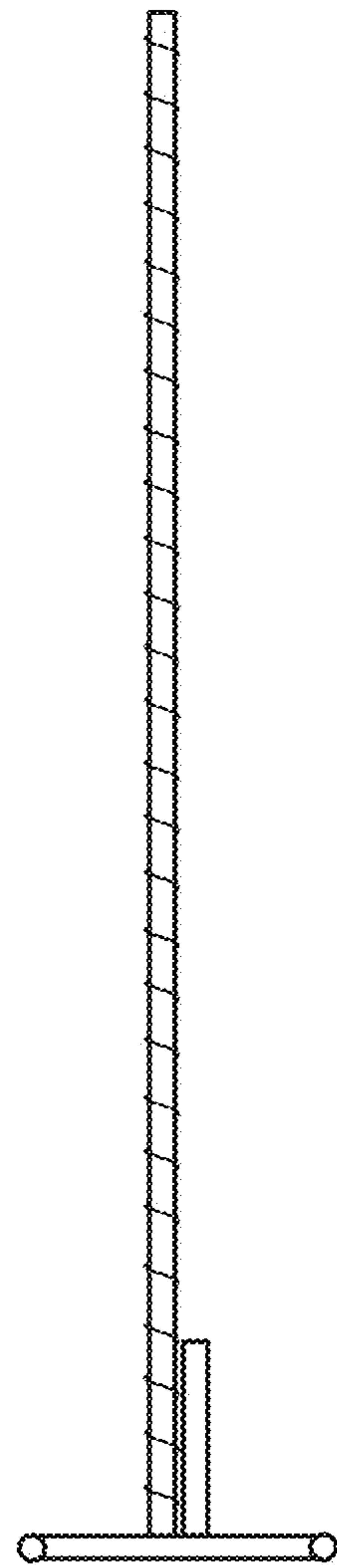


FIG. 5

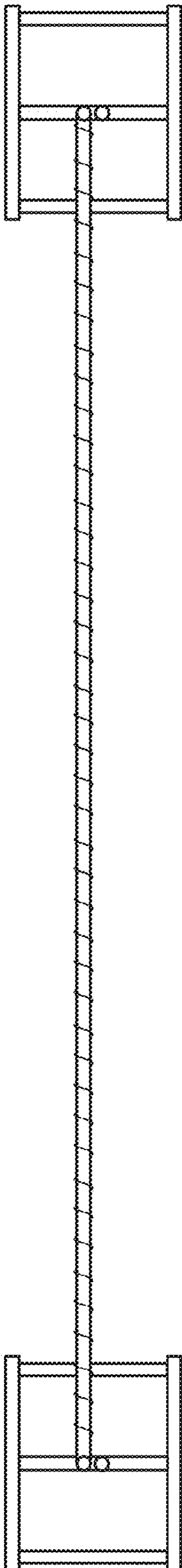


FIG. 6

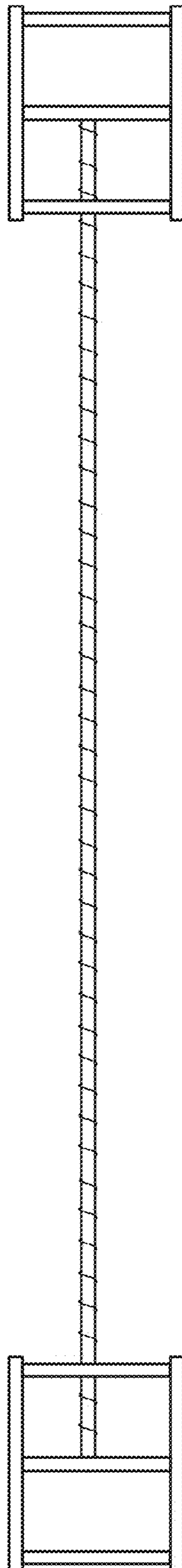


FIG. 7