



US00D897555S

(12) **United States Design Patent** (10) **Patent No.:** **US D897,555 S**
Chou et al. (45) **Date of Patent:** **** Sep. 29, 2020**

(54) **ASSAY CARD**

D528,215 S * 9/2006 Malsater D24/216
D596,753 S * 7/2009 LaStella D24/216
D598,121 S * 8/2009 LaStella D24/216

(71) Applicant: **Essenlix Corporation**, Monmouth Junction, NJ (US)

(Continued)

(72) Inventors: **Stephen Y. Chou**, Princeton, NJ (US); **Wei Ding**, East Windsor, NJ (US); **Ji Qi**, Hillsborough, NJ (US); **Hua Tan**, Princeton Junction, NJ (US)

FOREIGN PATENT DOCUMENTS

GB 3010741 * 2/2003
WO 2017027643 2/2018

(Continued)

(**) Term: **15 Years**

OTHER PUBLICATIONS

(21) Appl. No.: **29/670,364**

Essenlix Developed the World's Smallest, Simplest, and Lowest-Cost Blood Count Device. Online, published date unknown. Retrieved on Jan. 17, 2020 from URL: <http://www.essenlix.com/video.php>.*

(22) Filed: **Nov. 15, 2018**

(51) **LOC (12) Cl.** **24-02**

Primary Examiner — Susan Bennett Hattan

(52) **U.S. Cl.**
USPC **D24/225**

Assistant Examiner — Omeed Agilee

(58) **Field of Classification Search**
USPC D24/216, 223–227, 229–232; D9/537, D9/545, 549; D3/203.1, 203.2
CPC B01L 3/5023
See application file for complete search history.

(57) **CLAIM**

The ornamental design for an assay card, as shown and described.

DESCRIPTION

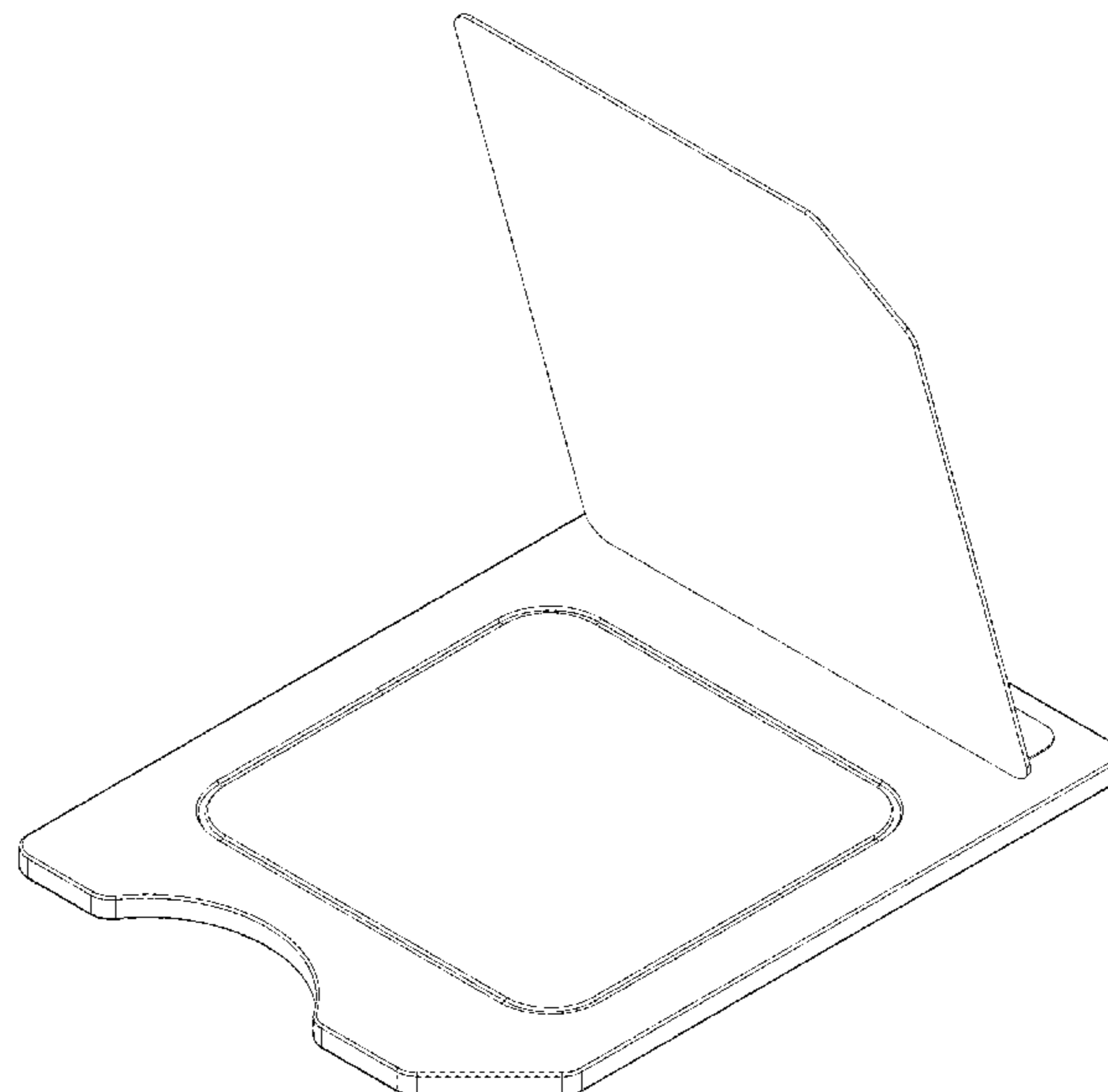
(56) **References Cited**

U.S. PATENT DOCUMENTS

D305,960 S * 2/1990 Wolff D24/232
D325,518 S * 4/1992 Matkovich D24/107
5,321,975 A 6/1994 Wardlaw et al.
D383,215 S * 9/1997 Levy D19/26
D389,587 S * 1/1998 Orell Porrazzo D24/225
5,948,686 A 9/1999 Wardlaw
6,017,767 A 1/2000 Chandler
6,022,734 A 2/2000 Wardlaw
D438,311 S * 2/2001 Yamanishi D24/216
6,235,536 B1 5/2001 Wardlaw
6,350,613 B1 2/2002 Wardlaw et al.
6,723,290 B1 4/2004 Wardlaw
6,866,823 B2 3/2005 Wardlaw
6,869,570 B2 3/2005 Wardlaw
6,929,953 B1 8/2005 Wardlaw

FIG. 1 shows a perspective view of an assay card in an open configuration.
FIG. 2 shows a perspective view of the assay card in a closed configuration.
FIG. 3 shows a top view of the assay card in an open configuration.
FIG. 4 shows a bottom view of the assay card in an open configuration.
FIG. 5 shows a front view of the assay card in an open configuration.
FIG. 6 shows a rear view of the assay card in an open configuration.
FIG. 7 shows a right side view of the assay card in an open configuration; and,
FIG. 8 shows a left side view of the assay card in an open configuration.

1 Claim, 8 Drawing Sheets



(56)

References Cited

U.S. PATENT DOCUMENTS

7,731,901 B2 6/2010 Wardlaw
 7,850,916 B2 12/2010 Wardlaw
 7,903,241 B2 3/2011 Wardlaw et al.
 7,929,121 B2 4/2011 Wardlaw et al.
 7,929,122 B2 4/2011 Wardlaw et al.
 7,995,194 B2 8/2011 Wardlaw et al.
 8,045,165 B2 10/2011 Wardlaw et al.
 8,077,296 B2 12/2011 Wardlaw et al.
 8,158,434 B2 4/2012 Wardlaw
 8,221,985 B2 7/2012 Wardlaw et al.
 8,241,572 B2 8/2012 Wardlaw
 8,310,658 B2 11/2012 Wardlaw et al.
 8,310,659 B2 11/2012 Wardlaw et al.
 8,319,954 B2 11/2012 Wardlaw et al.
 8,326,008 B2 12/2012 Lalpuria et al.
 8,367,012 B2 2/2013 Wardlaw
 8,467,063 B2 6/2013 Wardlaw et al.
 D691,057 S * 10/2013 Akers, Jr. D10/81
 8,569,076 B2 10/2013 Wardlaw et al.
 8,638,427 B2 1/2014 Wardlaw et al.
 D699,369 S * 2/2014 Fonseca D24/224
 8,842,264 B2 9/2014 Wardlaw et al.
 8,885,154 B2 11/2014 Wardlaw et al.
 8,974,732 B2 3/2015 Lalpuria et al.
 9,084,995 B2 7/2015 Wardlaw
 9,199,233 B2 12/2015 Wardlaw
 9,274,094 B2 3/2016 Wardlaw et al.
 9,322,835 B2 4/2016 Wardlaw
 D800,336 S * 10/2017 Chang D24/224

D803,416 S * 11/2017 Leaver D24/224
 D806,890 S * 1/2018 Williams D24/216
 D834,200 S * 11/2018 Bates D24/186
 2006/0246598 A1 11/2006 Dai et al.
 2013/0344616 A1* 12/2013 Triva B01L 3/5023
 436/174
 2018/0156775 A1 6/2018 Chou et al.
 2018/0157058 A1 6/2018 Chou et al.
 2018/0202903 A1 7/2018 Chou et al.
 2018/0246089 A1 8/2018 Chou et al.

FOREIGN PATENT DOCUMENTS

WO 2017048871 3/2018
 WO 2018107105 6/2018
 WO 2018119318 6/2018
 WO 2018148342 8/2018
 WO 2018148469 8/2018
 WO 2018148470 8/2018
 WO 2018148471 8/2018
 WO 2018148606 8/2018
 WO 2018148607 8/2018
 WO 2018148609 8/2018
 WO 2018148729 8/2018
 WO 2018148764 8/2018
 WO 2018152005 8/2018
 WO 2018152351 8/2018
 WO 2018152421 8/2018
 WO 2018152422 8/2018
 WO 2018195528 10/2018

* cited by examiner

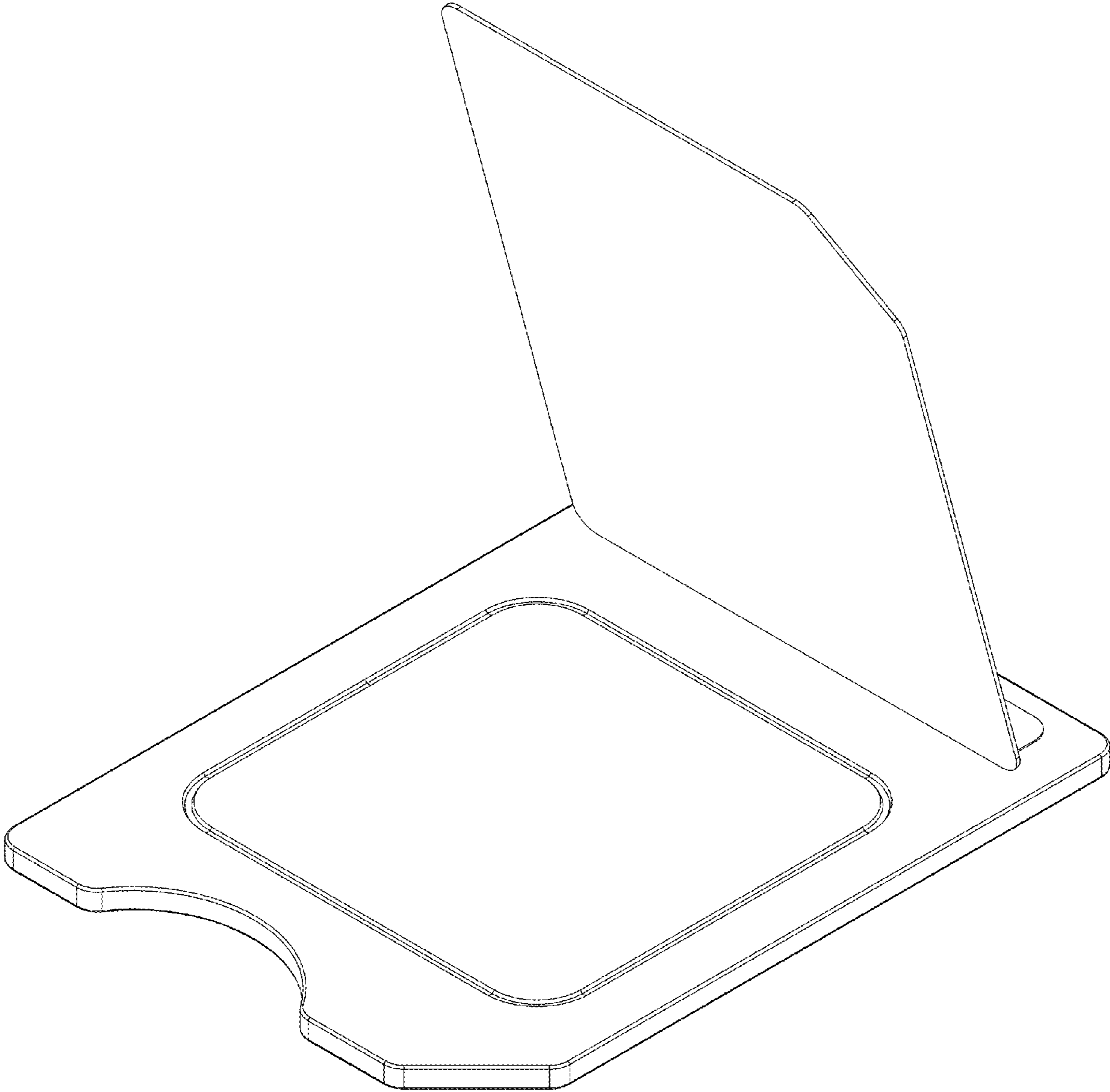


Fig. 1

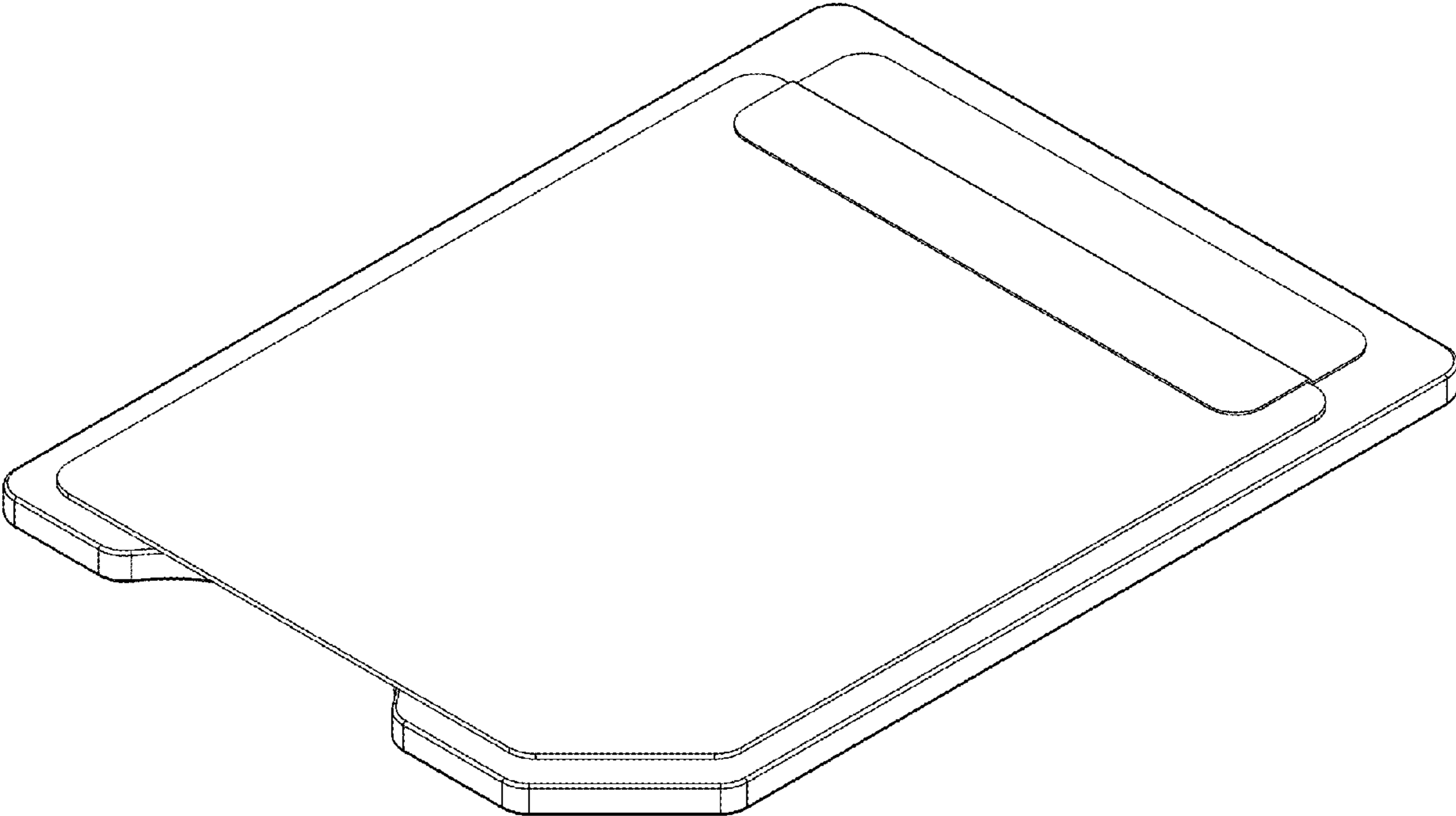


Fig. 2

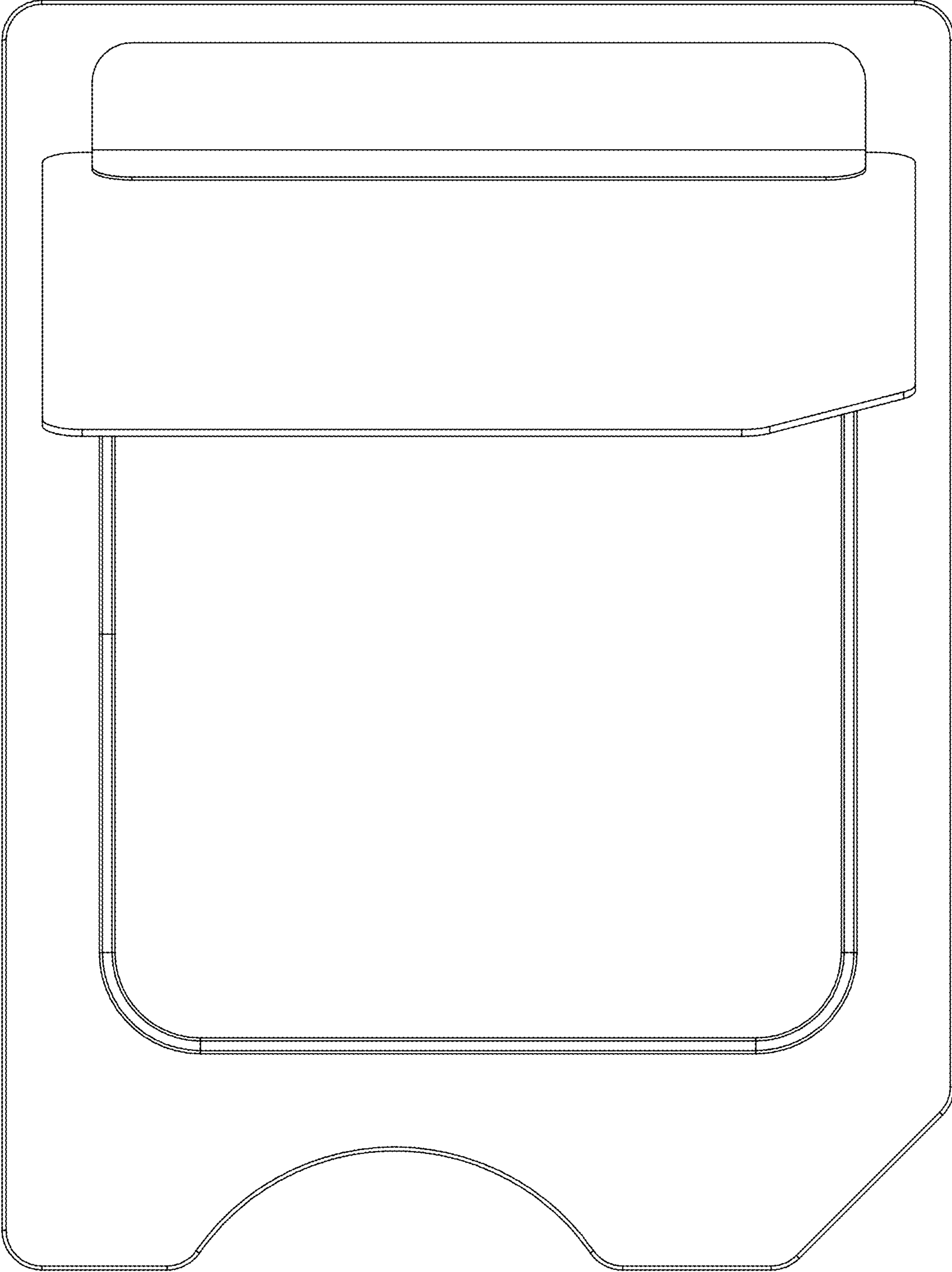


Fig. 3

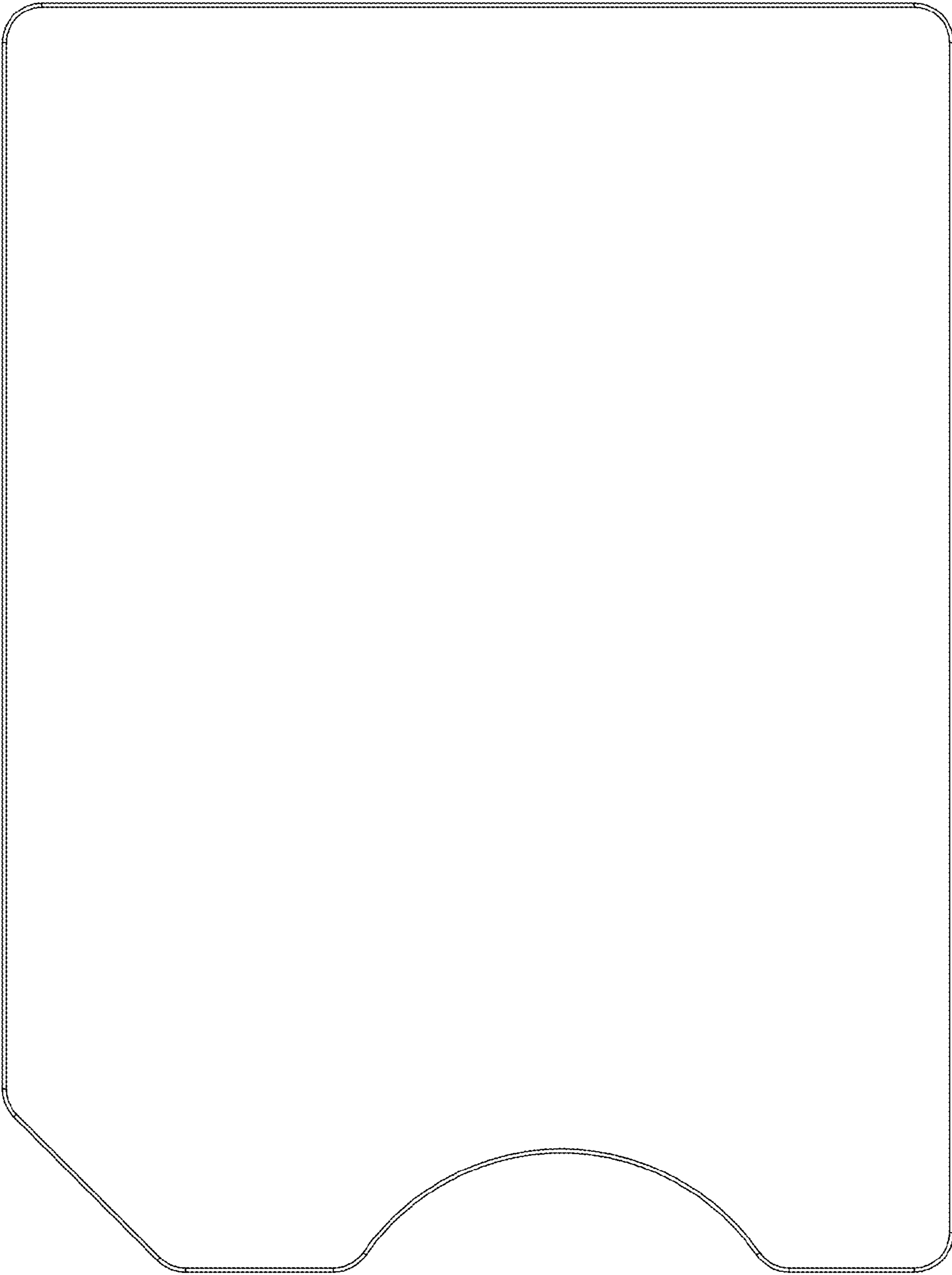


Fig. 4

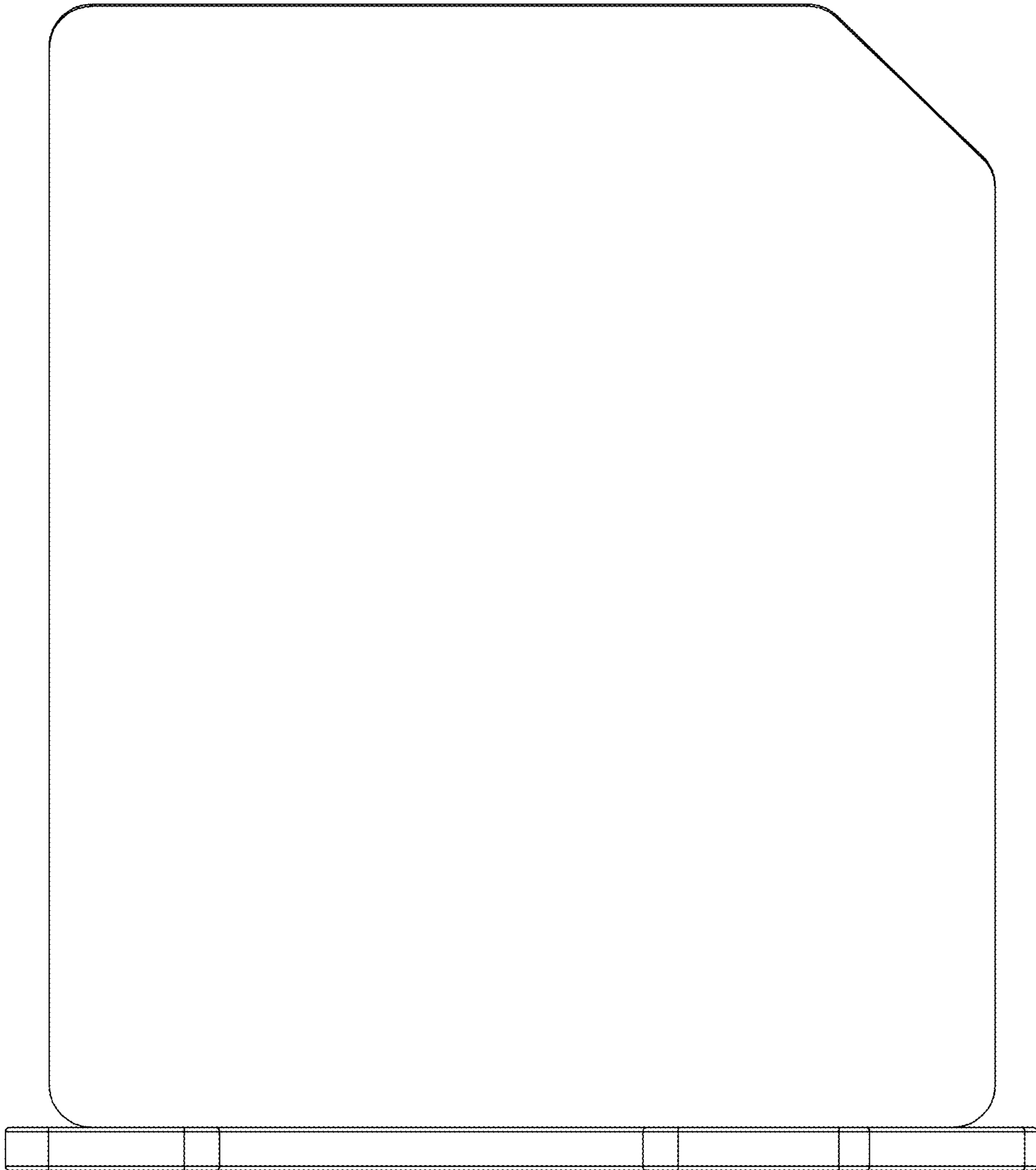


Fig. 5

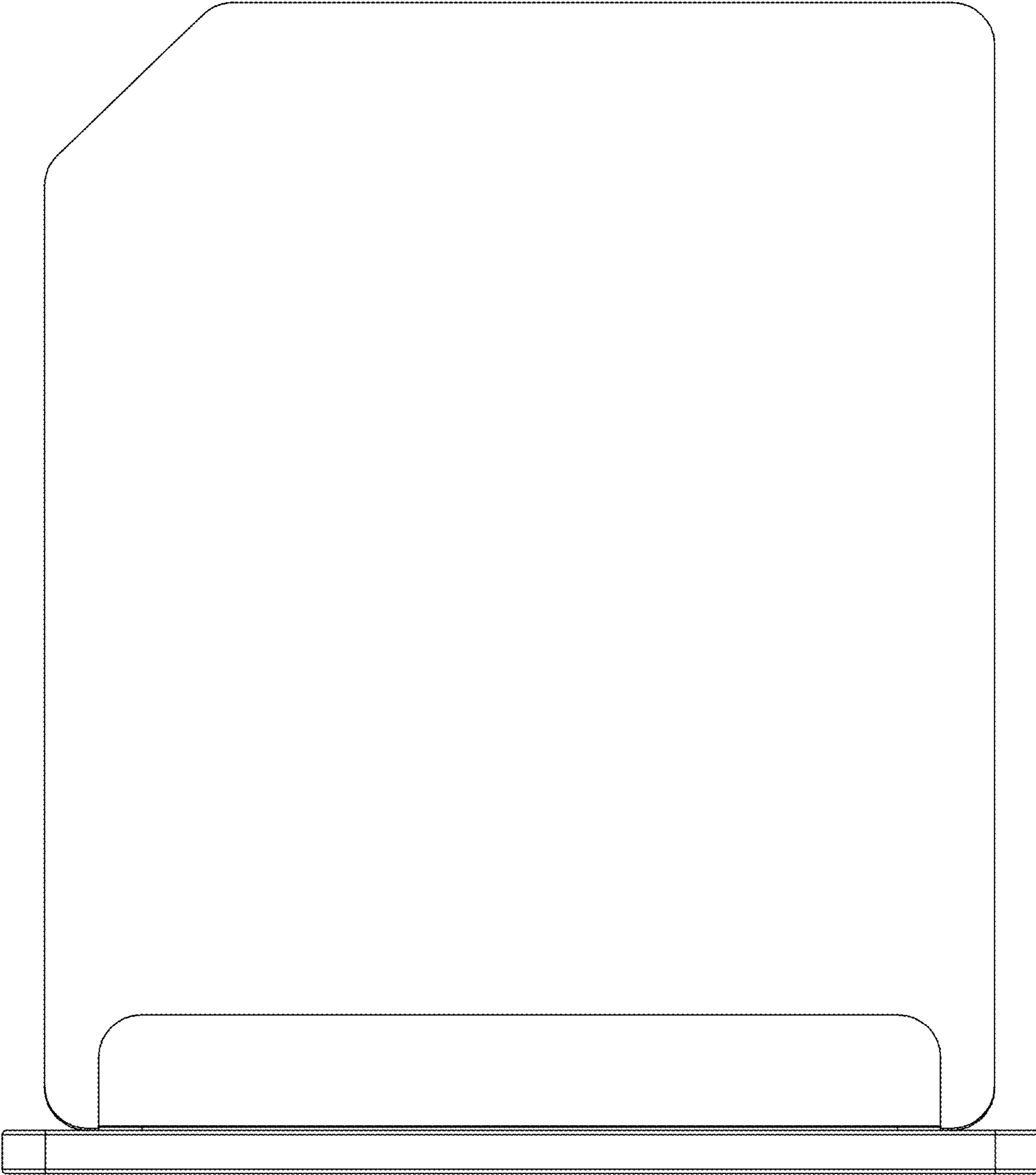


Fig. 6

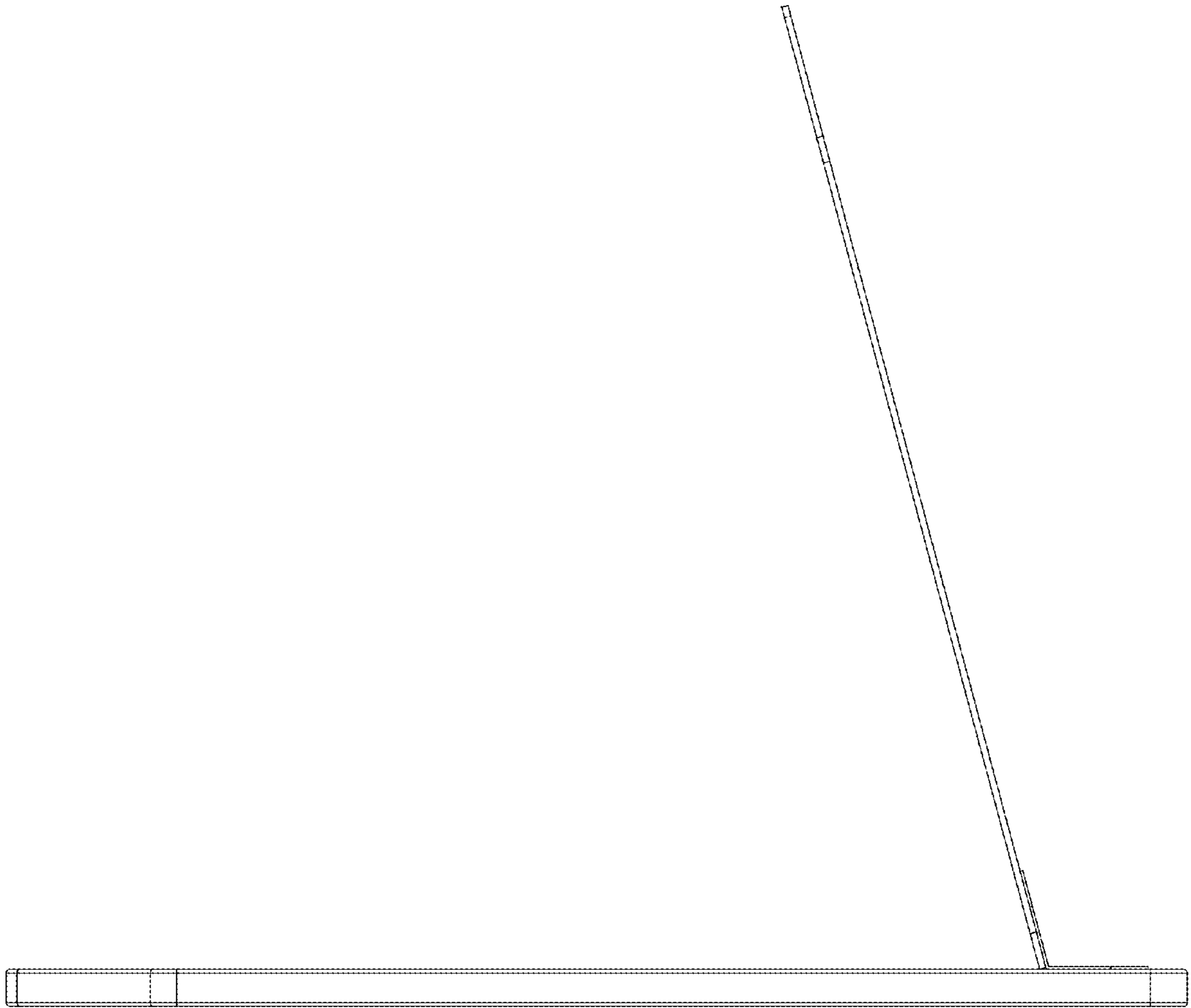


Fig. 7

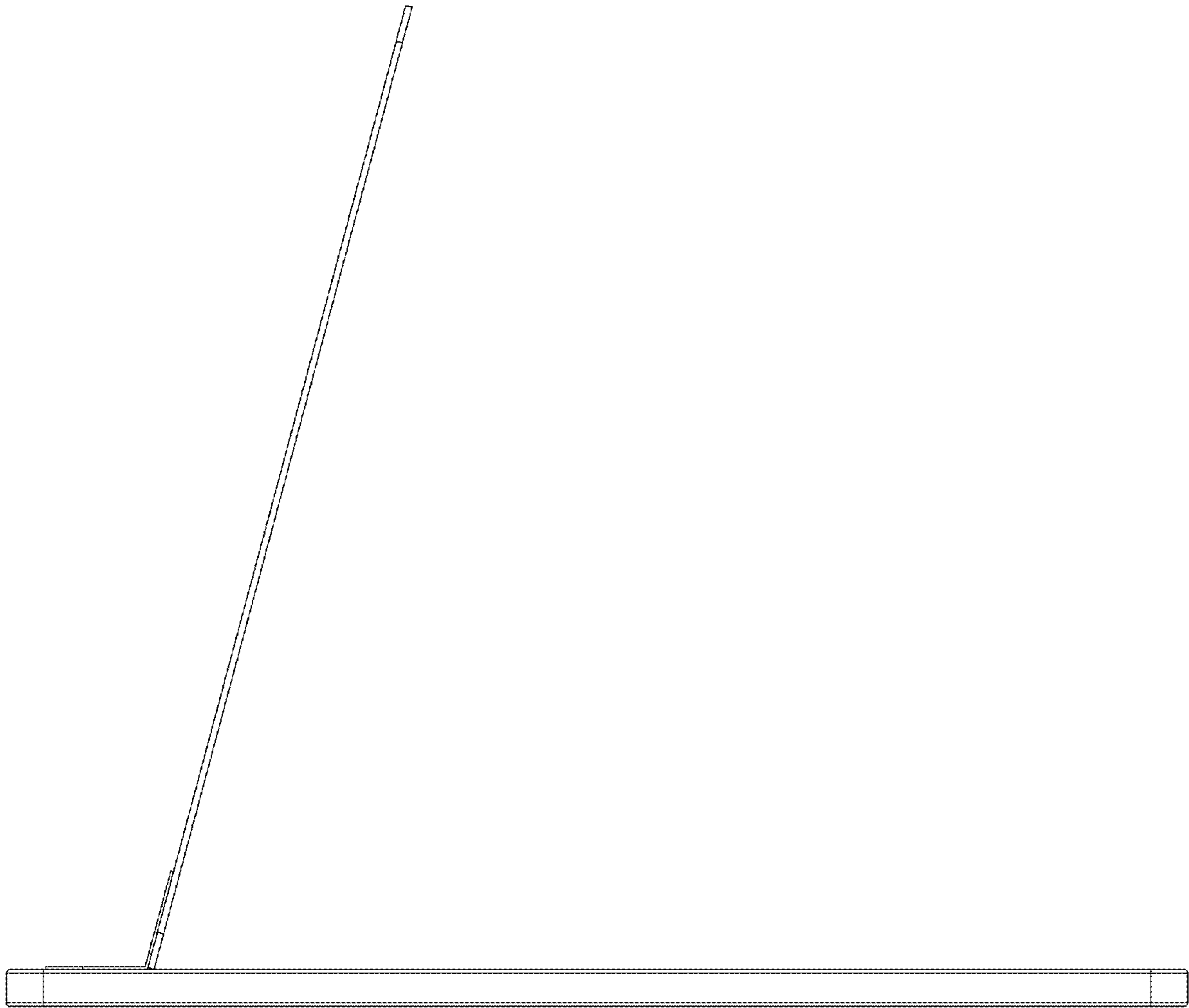


Fig. 8