



US00D897554S

(12) **United States Design Patent** (10) **Patent No.:** **US D897,554 S**  
**Winderlich et al.** (45) **Date of Patent:** **\*\* Sep. 29, 2020**

(54) **ULTRAVIOLET STERILIZATION DEVICE**

(71) Applicant: **Heraeus Noblelight GmbH**, Hanau (DE)

(72) Inventors: **Jan Winderlich**, Frankfurt (DE); **Silke Schloemp**, Dortmund (DE); **Johannes Kraft**, Linsengericht (DE)

(73) Assignee: **HERAEUS NOBLELIGHT GMBH**, Hanau (DE)

(\*\*) Term: **15 Years**

(21) Appl. No.: **29/658,690**

(22) Filed: **Aug. 2, 2018**

(30) **Foreign Application Priority Data**

Mar. 8, 2018 (DE) ..... 40 2018 200 910

(51) **LOC (12) Cl.** ..... **24-01**

(52) **U.S. Cl.**  
USPC ..... **D24/217**

(58) **Field of Classification Search**  
USPC ..... D24/200, 209–213, 217–219, 224–232, D24/186, 107, 108; D23/366; D32/1, D32/25; D28/44, 73; 422/24, 26, 27, 422/307; 250/455.11  
CPC ..... A61L 2/26; A61L 2/24; A61L 2/17; A61L 2/18; A61L 2/025; A61L 2/10; A61L 2/084; A61L 2202/122; A61L 2202/10; A61L 2202/11; A61L 2202/14; A61L 2202/23; A61L 2202/24; A61L 2202/182; C02F 1/32; C02F 1/325; A61H 15/00; A61H 15/0007; A61H 2015/0042; A63B 43/06

See application file for complete search history.

(56) **References Cited**

**U.S. PATENT DOCUMENTS**

D188,521 S \* 8/1960 Adams ..... D24/217  
D211,973 S \* 8/1968 Eppler ..... D32/1

D257,174 S \* 9/1980 Thomas ..... D24/218  
D267,040 S \* 11/1982 David ..... D24/219  
D382,369 S \* 8/1997 Yang ..... D28/85  
D485,364 S \* 1/2004 Lee ..... D24/217  
D502,546 S \* 3/2005 Shin ..... D24/217

(Continued)

**FOREIGN PATENT DOCUMENTS**

FR 20182809-001 \* 3/2018  
FR 20182809-001 \* 10/2018

**OTHER PUBLICATIONS**

New Heraeus Noblelight UV Disinfection Unit for Food Packaging, posted at [pressnetwork.de](http://pressnetwork.de), posted Apr. 24, 2019, online, URL:<http://pressnetwork.de/new-heraeus-noblelight-uv-disinfection-unit-for-food-packaging/> (Year: 2019).\*

*Primary Examiner* — Barbara Fox

*Assistant Examiner* — Mary Shannon Malley

(74) *Attorney, Agent, or Firm* — Kirschstein et al.

(57) **CLAIM**

The ornamental design for an ultraviolet sterilization device, as shown and described.

**DESCRIPTION**

FIG. 1 is an overhead, front and side, perspective view of an ultraviolet sterilization device according to our new design. FIG. 2 is an underneath, rear and side, perspective view thereof.

FIG. 3 is a left side elevation view thereof.

FIG. 4 is a right side elevation view thereof.

FIG. 5 is a top plan view thereof.

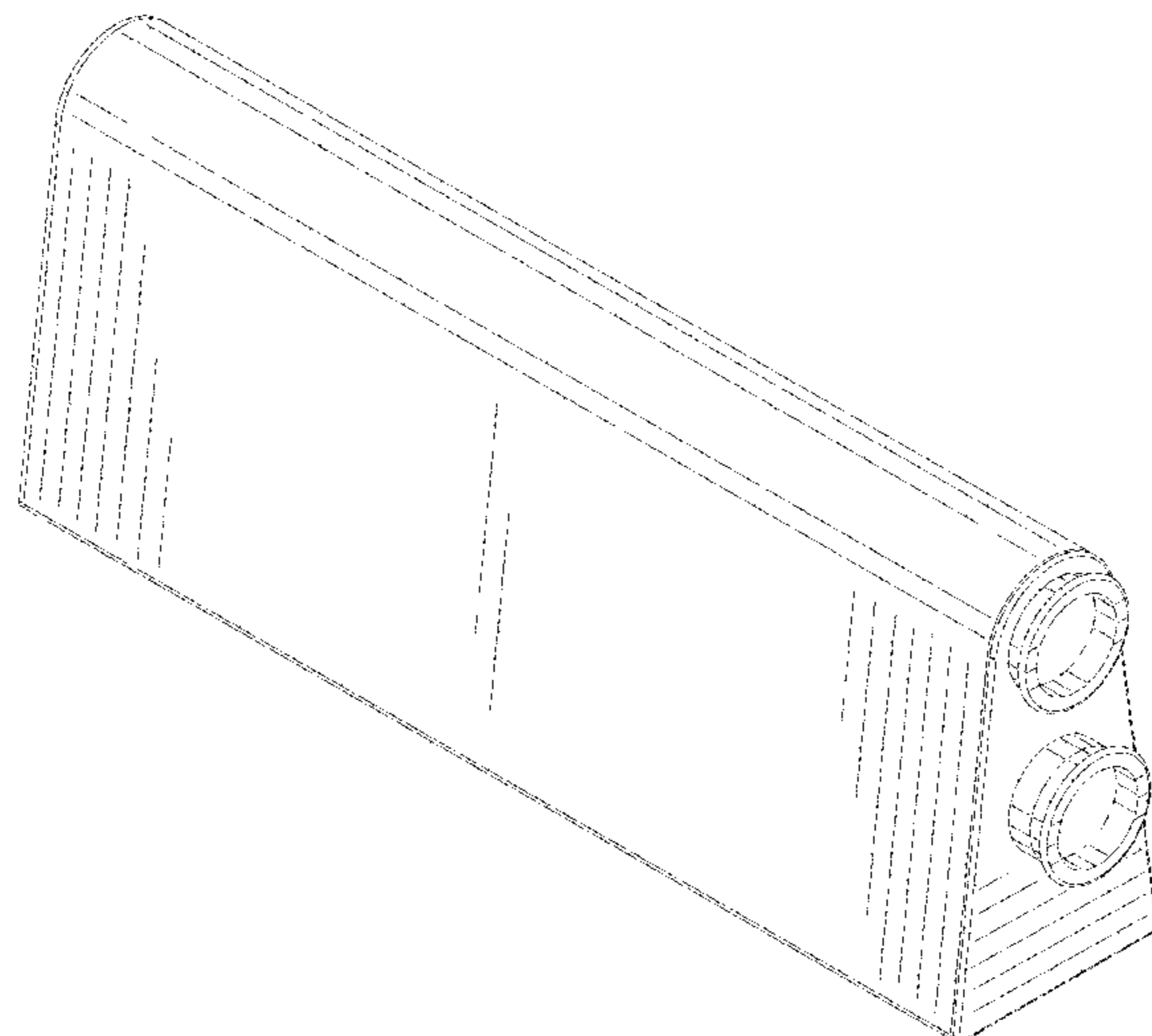
FIG. 6 is a bottom plan view thereof.

FIG. 7 is a front elevation view thereof; and,

FIG. 8 is a rear elevation view thereof.

The broken lines shown in the drawings depict portions of the ultraviolet sterilization device that form no part of the claimed design.

**1 Claim, 7 Drawing Sheets**



(56)

**References Cited**

U.S. PATENT DOCUMENTS

D542,930 S \* 5/2007 Shin ..... D24/217  
D742,021 S \* 10/2015 Labuschagne ..... D24/200  
D759,264 S \* 6/2016 Latchman-Bloom ..... D24/217  
D796,025 S \* 8/2017 Lo ..... D24/108  
2015/0137762 A1\* 5/2015 Kim ..... H02J 7/0044  
320/115  
2019/0240369 A1\* 8/2019 Rotelli ..... A61L 9/20

\* cited by examiner

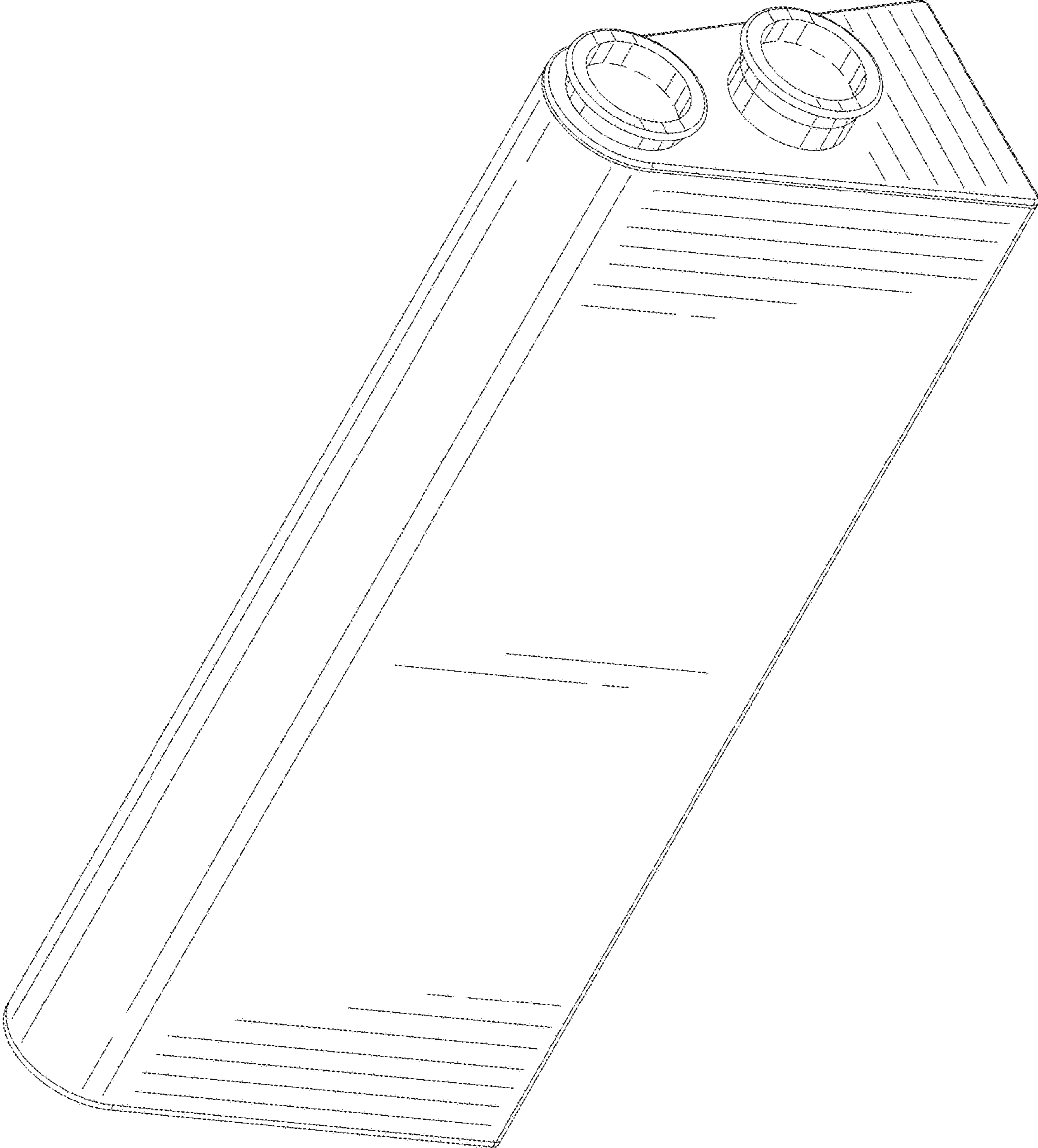


FIG. 1

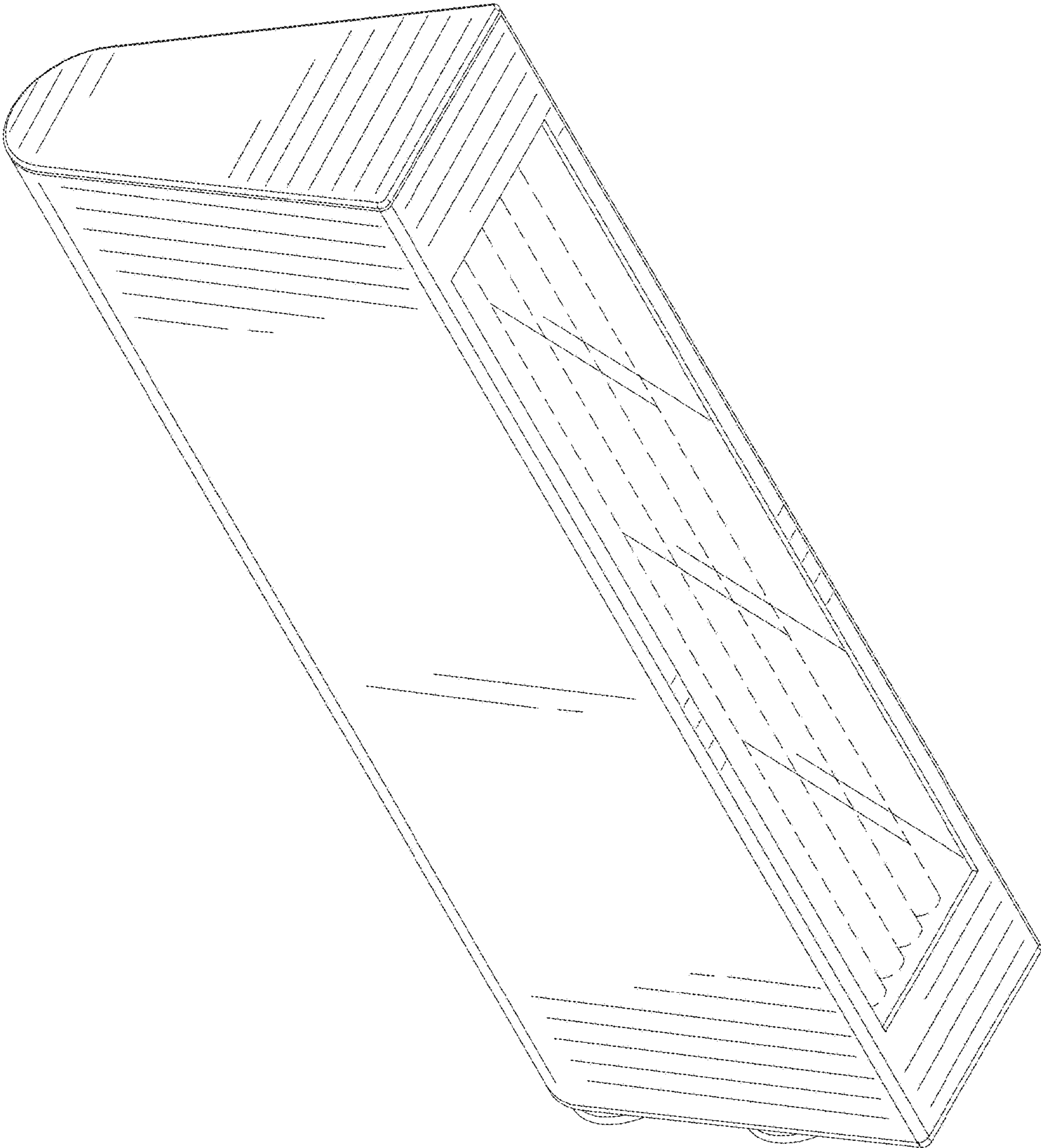


FIG. 2

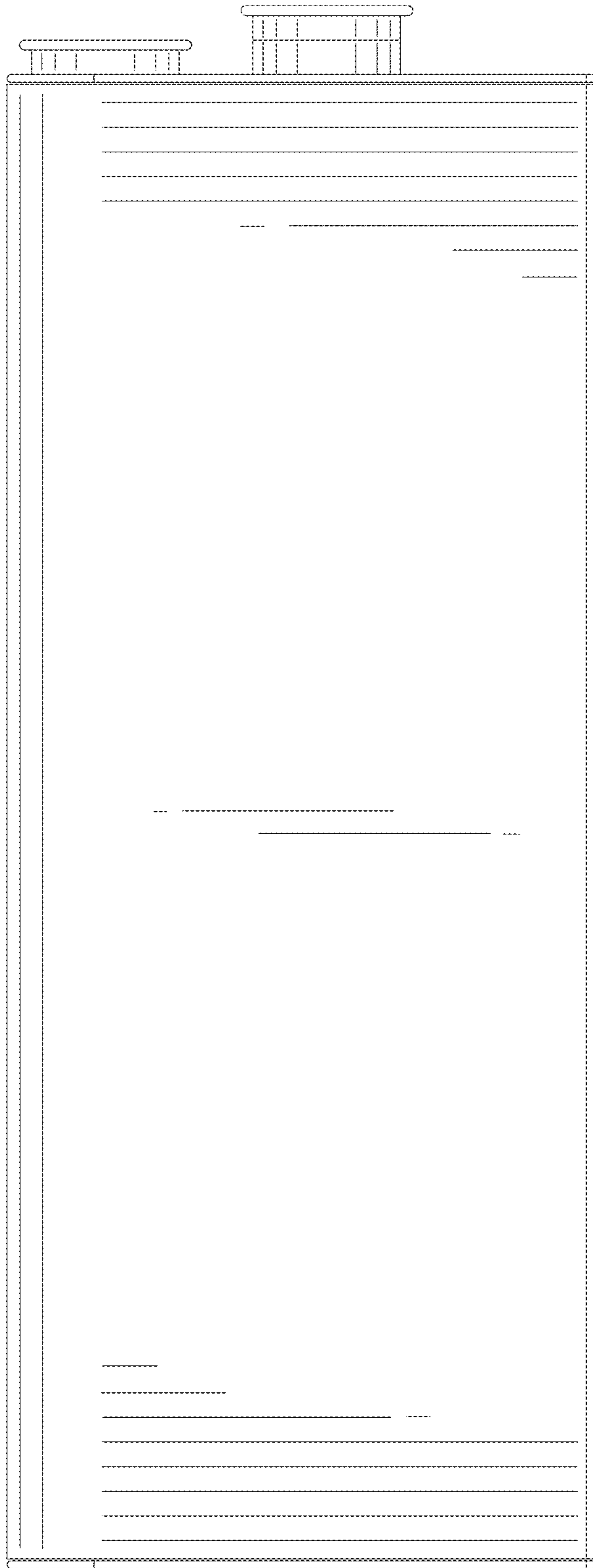


FIG. 3

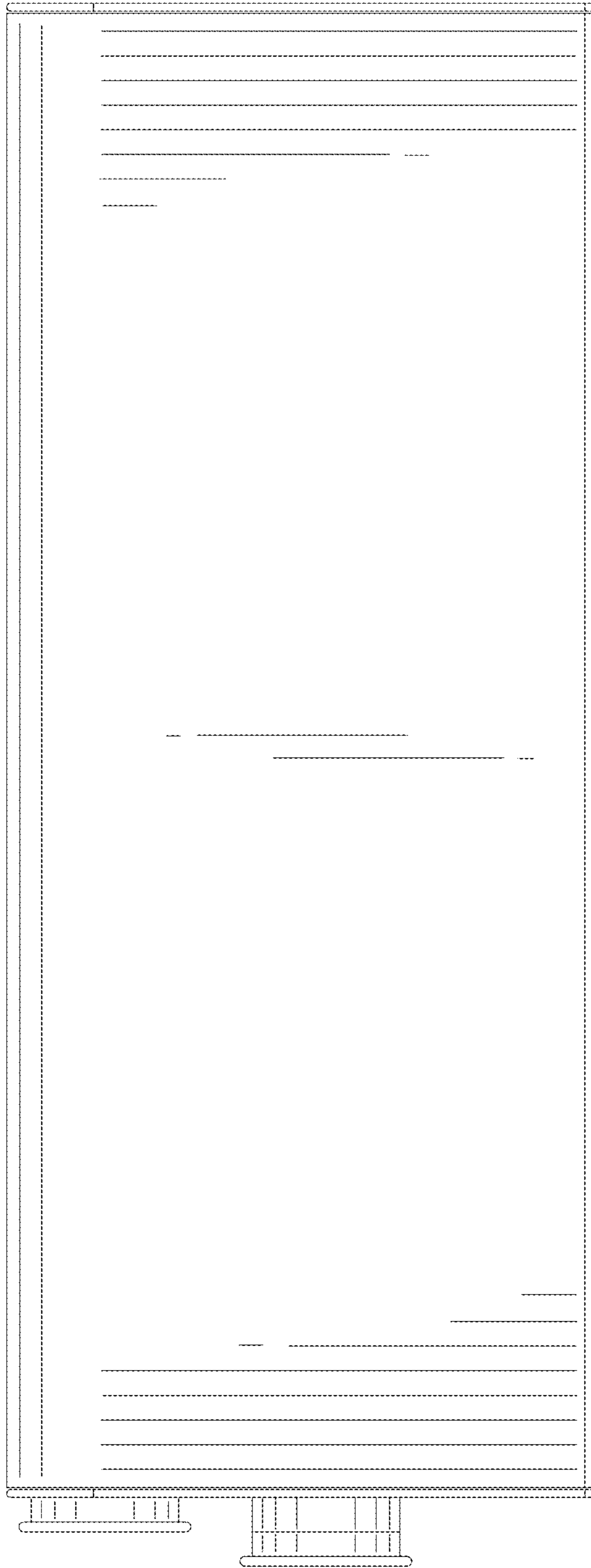


FIG. 4

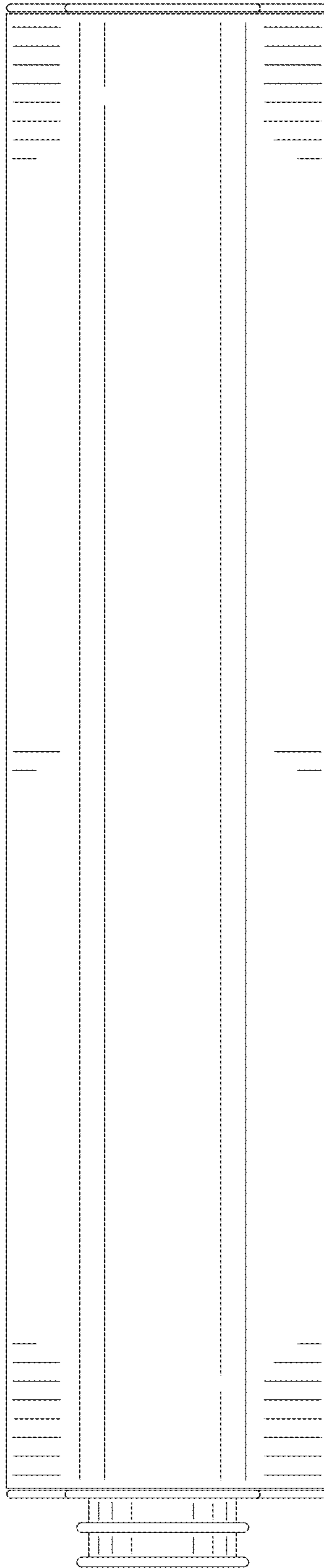


FIG. 5

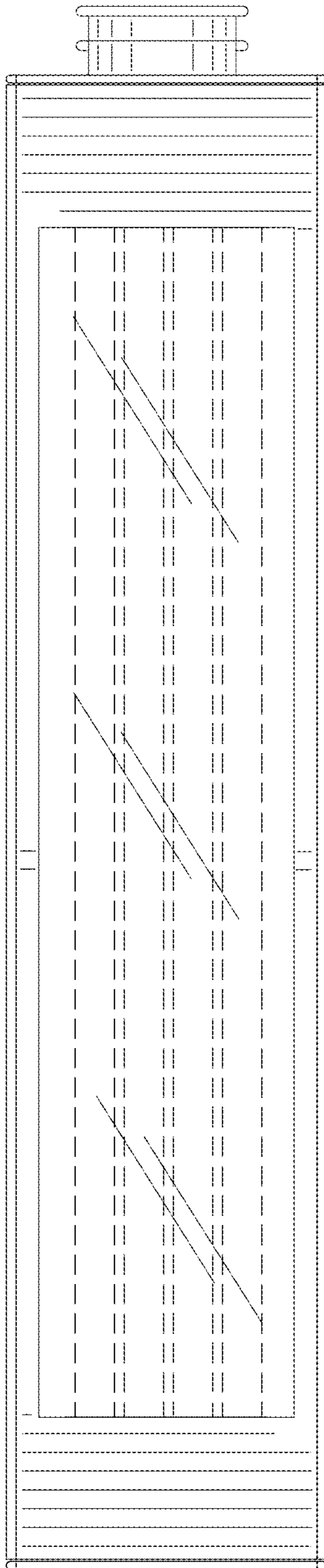


FIG. 6



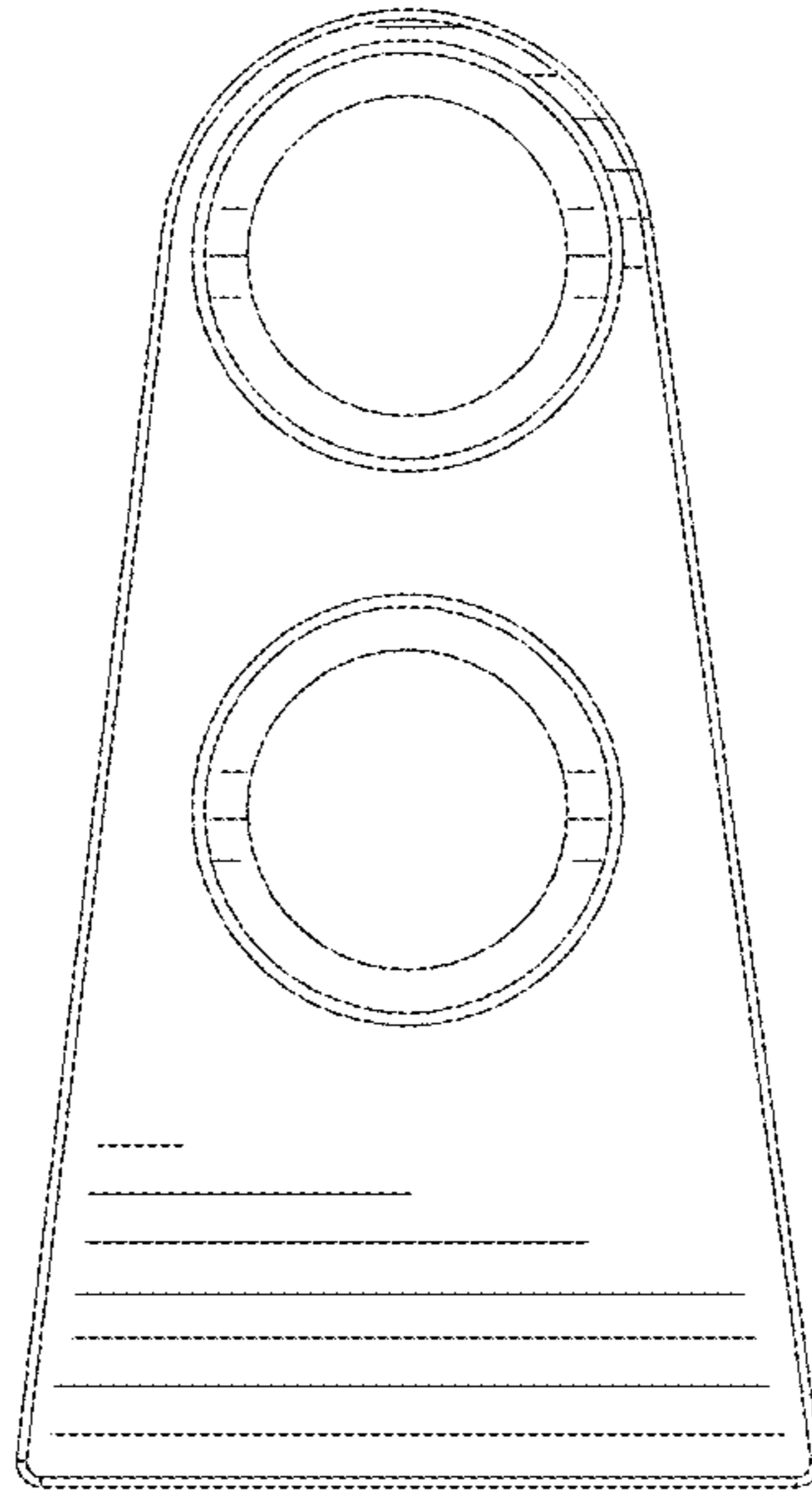


FIG. 7

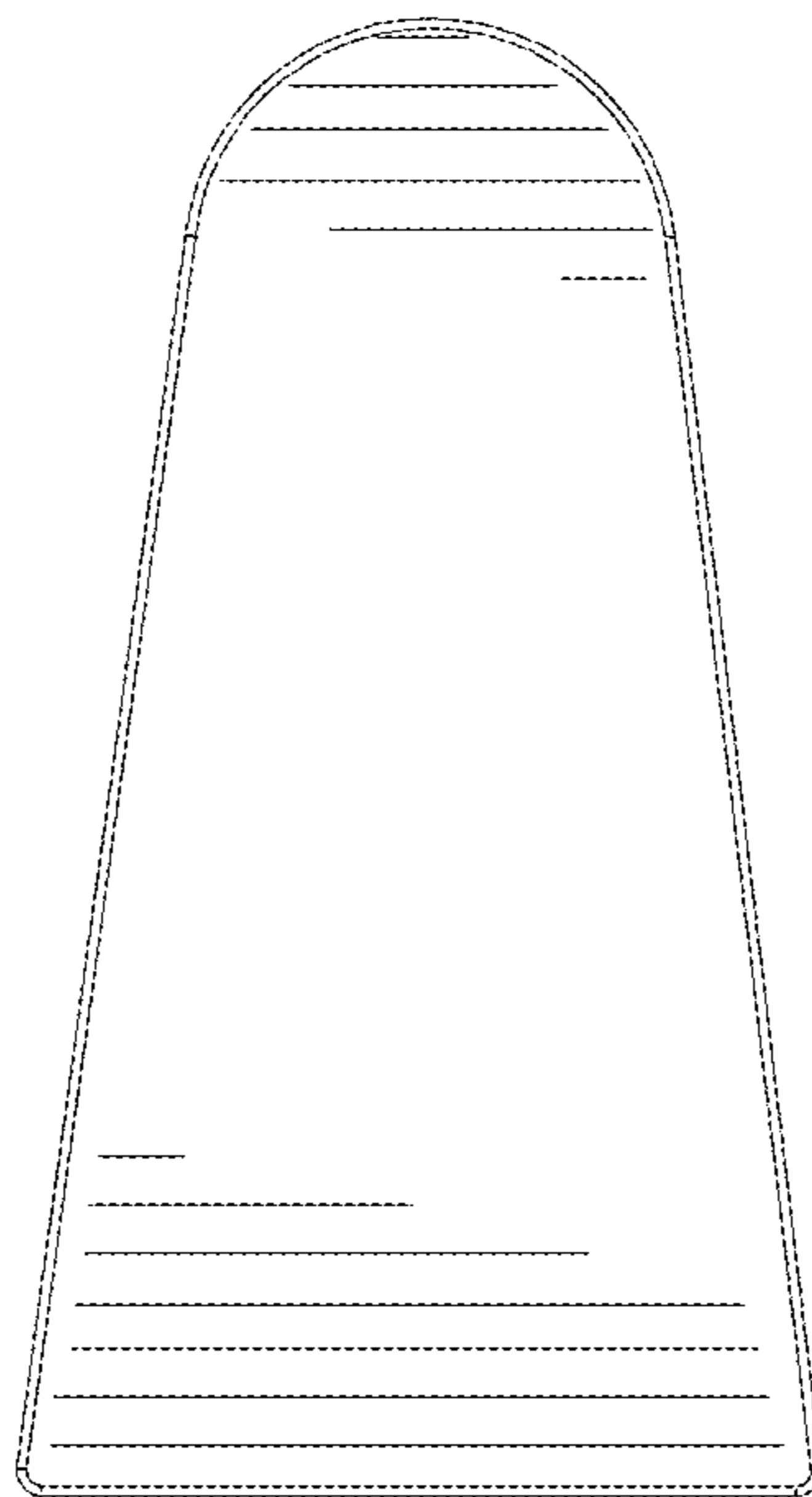


FIG. 8