



US00D897553S

(12) **United States Design Patent**
Fang et al.

(10) **Patent No.:** **US D897,553 S**

(45) **Date of Patent:** **** Sep. 29, 2020**

(54) **MULTI-ANALYTE TEST DEVICE**

D707,843 S * 6/2014 Meziere D24/216
D738,243 S * 9/2015 Selberg D24/232
D805,933 S * 12/2017 Hall D24/216

(71) Applicant: **Hangzhou ShineDo Biotech Co., Ltd,**
Zhejiang (CN)

* cited by examiner

(72) Inventors: **Jianqiu Fang,** Zhejiang (CN); **De Chen,** Zhejiang (CN)

Primary Examiner — Anhdao Doan

(74) *Attorney, Agent, or Firm* — Lai, Corsini & Lopus, LLC; Theodore Lopus

(**) Term: **15 Years**

(21) Appl. No.: **29/690,332**

(22) Filed: **May 7, 2019**

(51) **LOC (12) Cl.** **24-01**

(52) **U.S. Cl.**
USPC **D24/216**

(58) **Field of Classification Search**
USPC D24/107, 169, 186, 216, 219, 231, 232;
D10/81
CPC G01N 2035/00306; G01N 2035/00326;
G01N 2035/00336; G01N 2030/027;
G01N 21/76; G01N 33/50; G01N 35/025
See application file for complete search history.

(56) **References Cited**

U.S. PATENT DOCUMENTS

D549,827 S * 8/2007 Maeno D24/169
D704,348 S * 5/2014 Shibata D24/216

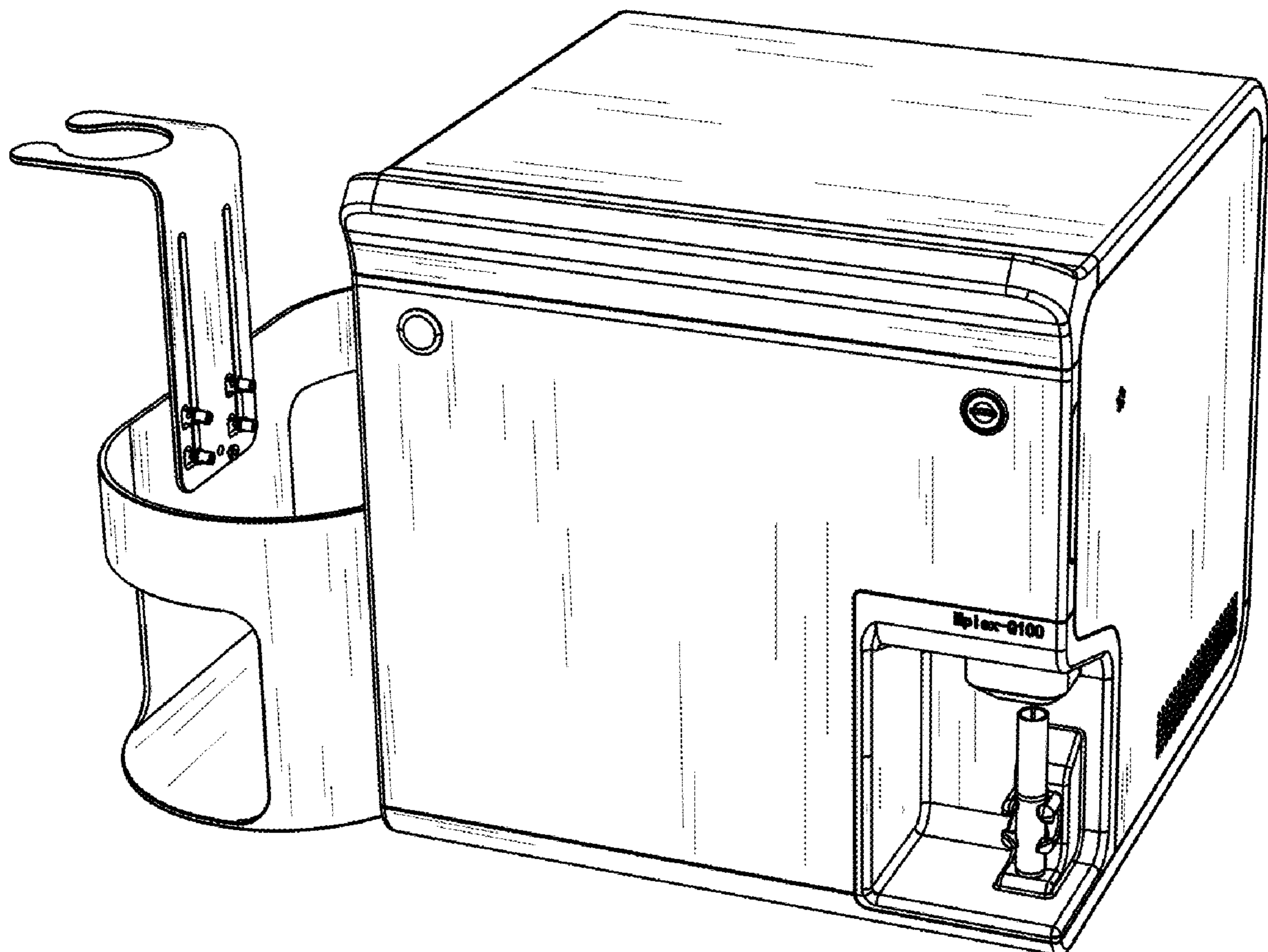
(57) **CLAIM**

The ornamental design for a multi-analyte test device, as shown and described.

DESCRIPTION

FIG. 1 is a front view of a multi-analyte test device according to the present design;
FIG. 2 is a back view thereof;
FIG. 3 is a top view thereof;
FIG. 4 is a bottom view thereof;
FIG. 5 is a right side view thereof;
FIG. 6 is a left side view thereof;
FIG. 7 is a front perspective view thereof; and,
FIG. 8 is a back perspective view thereof.

1 Claim, 8 Drawing Sheets



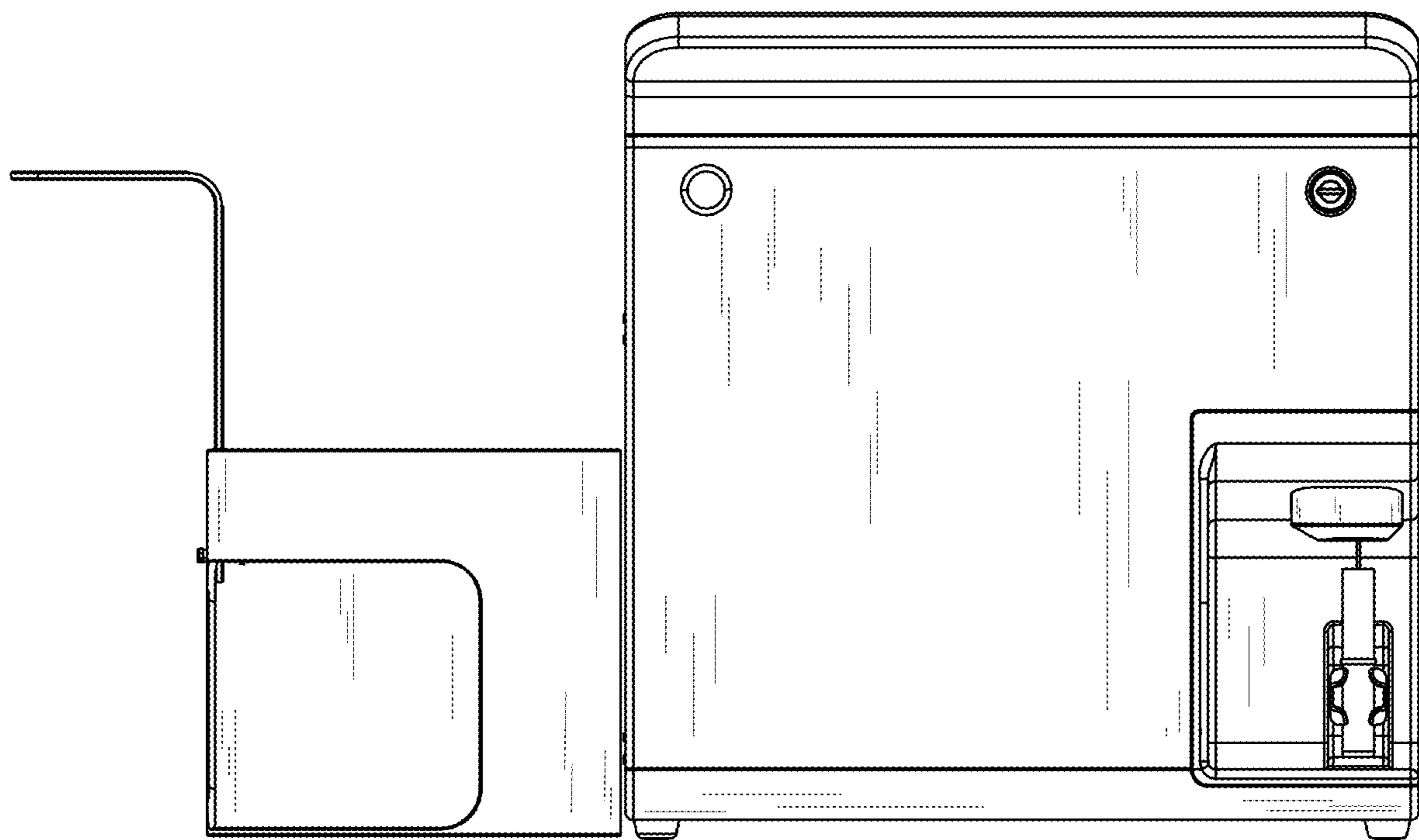


FIG. 1

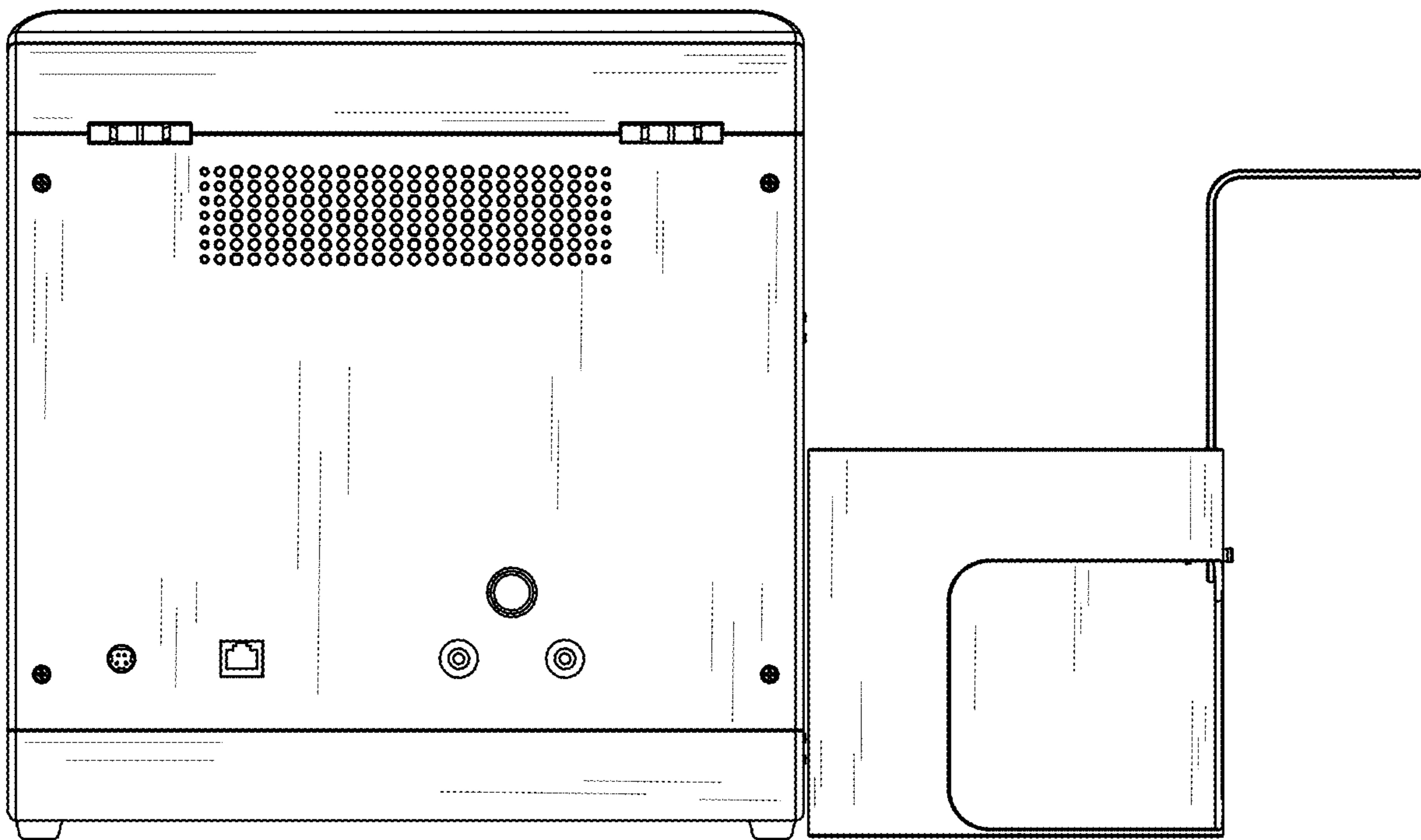


FIG. 2

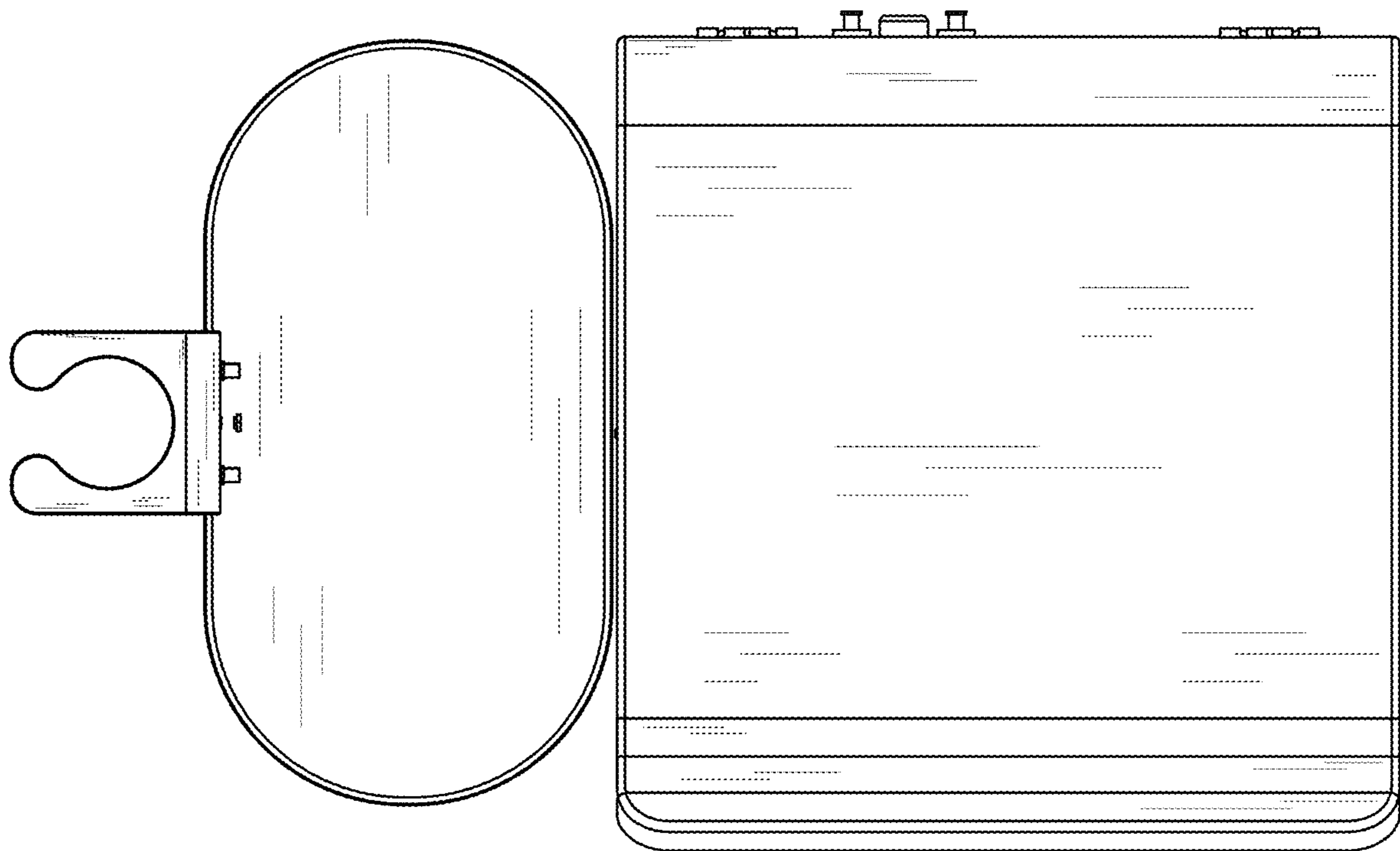


FIG. 3

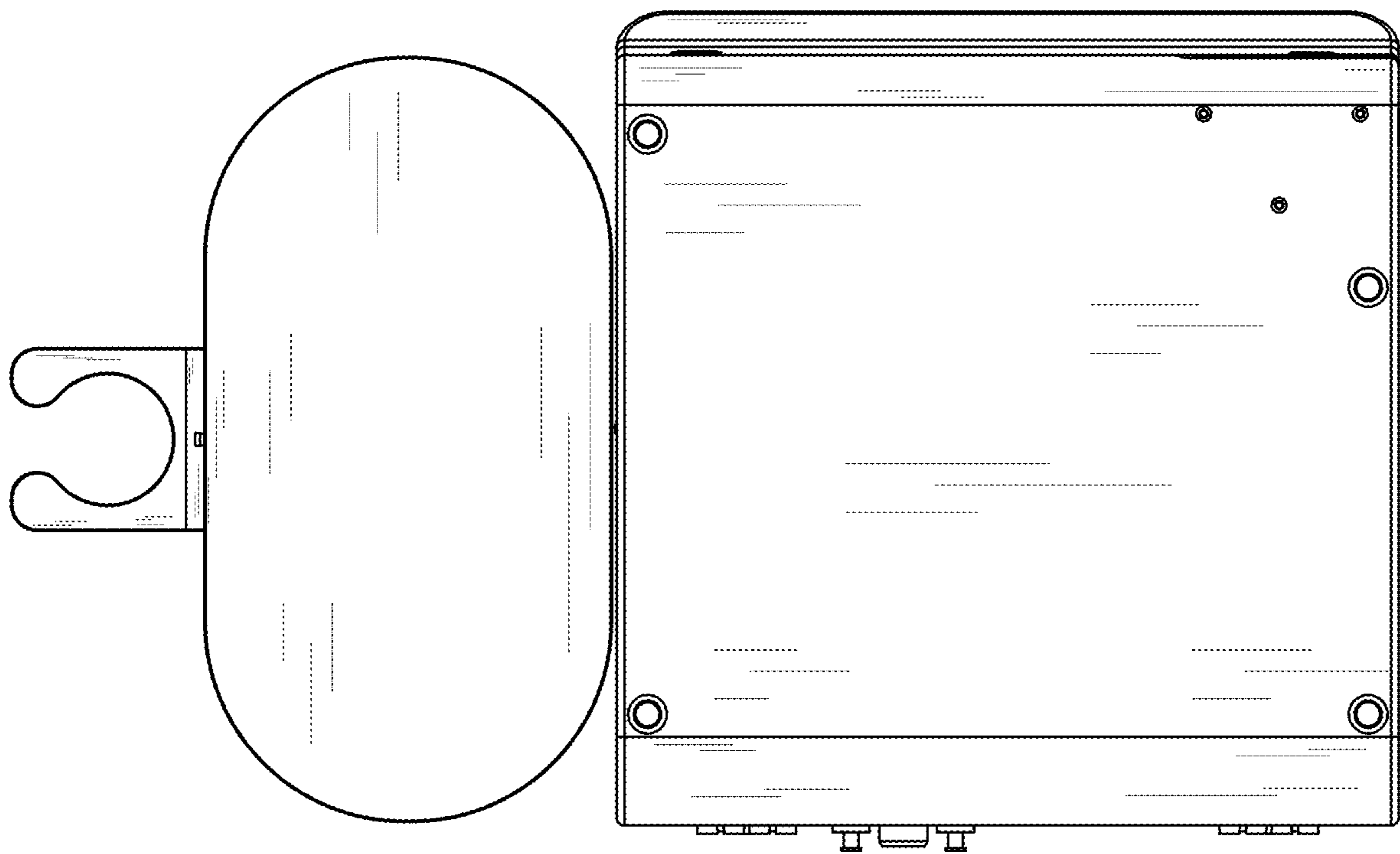


FIG. 4

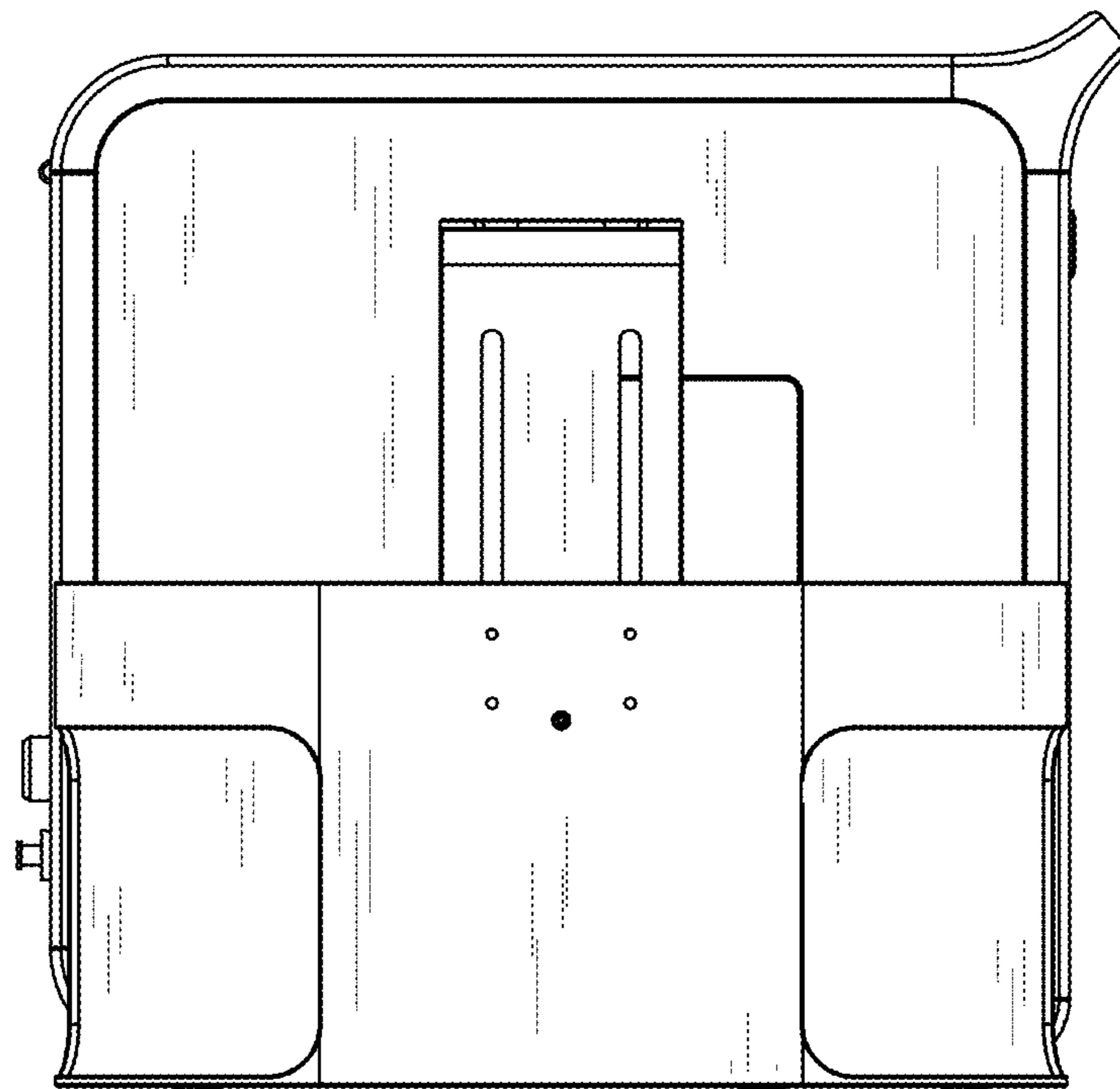


FIG. 5

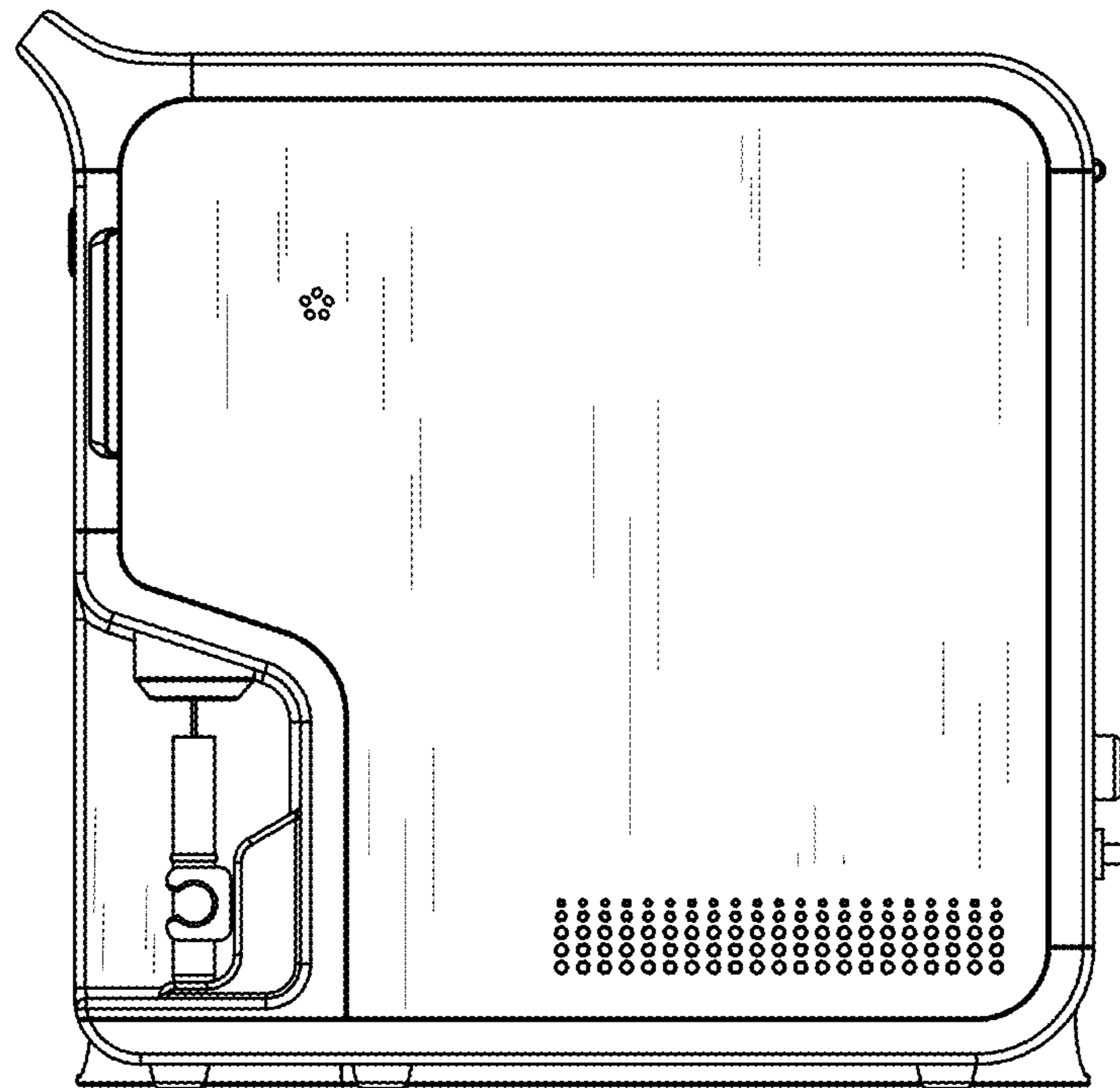


FIG. 6

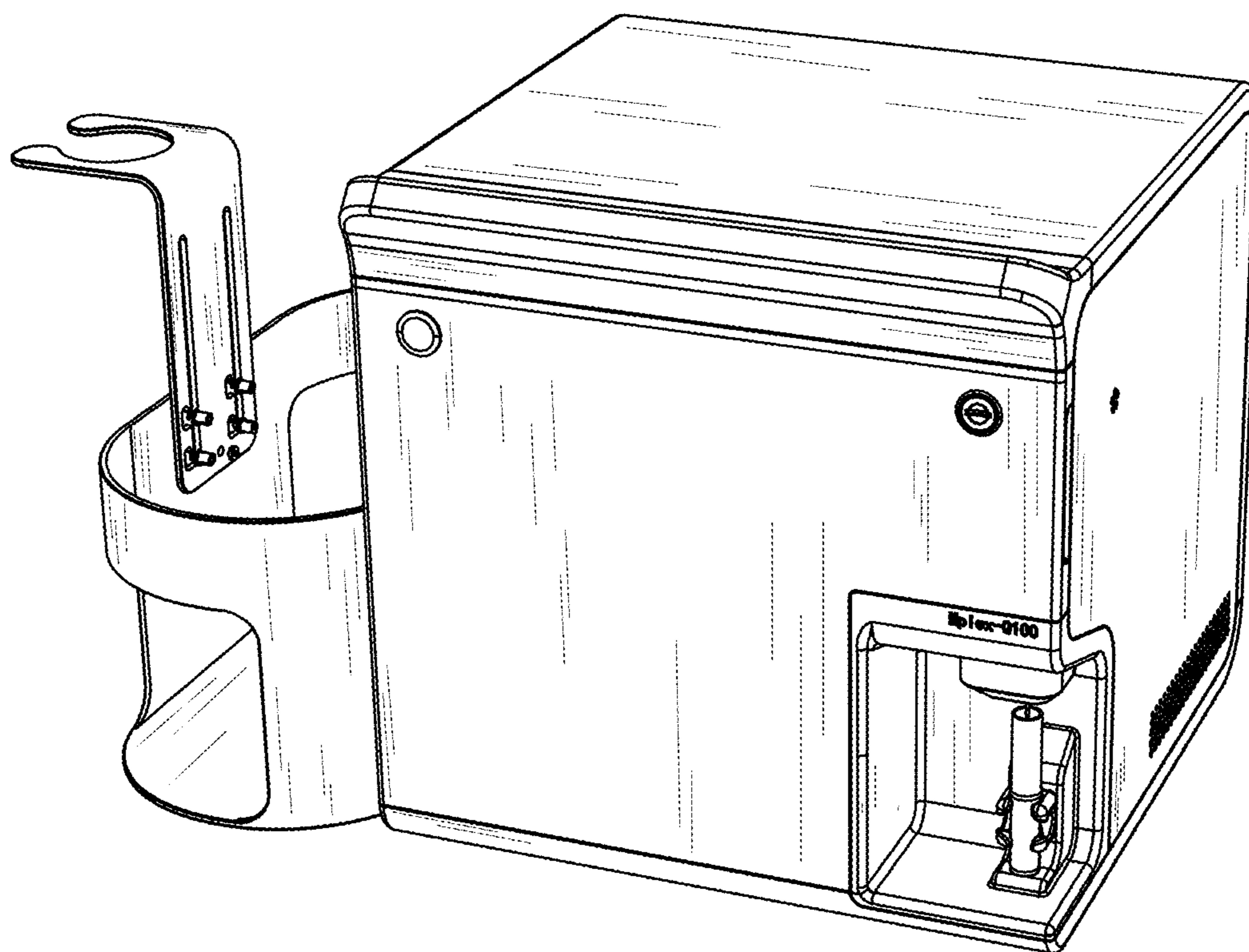


FIG. 7

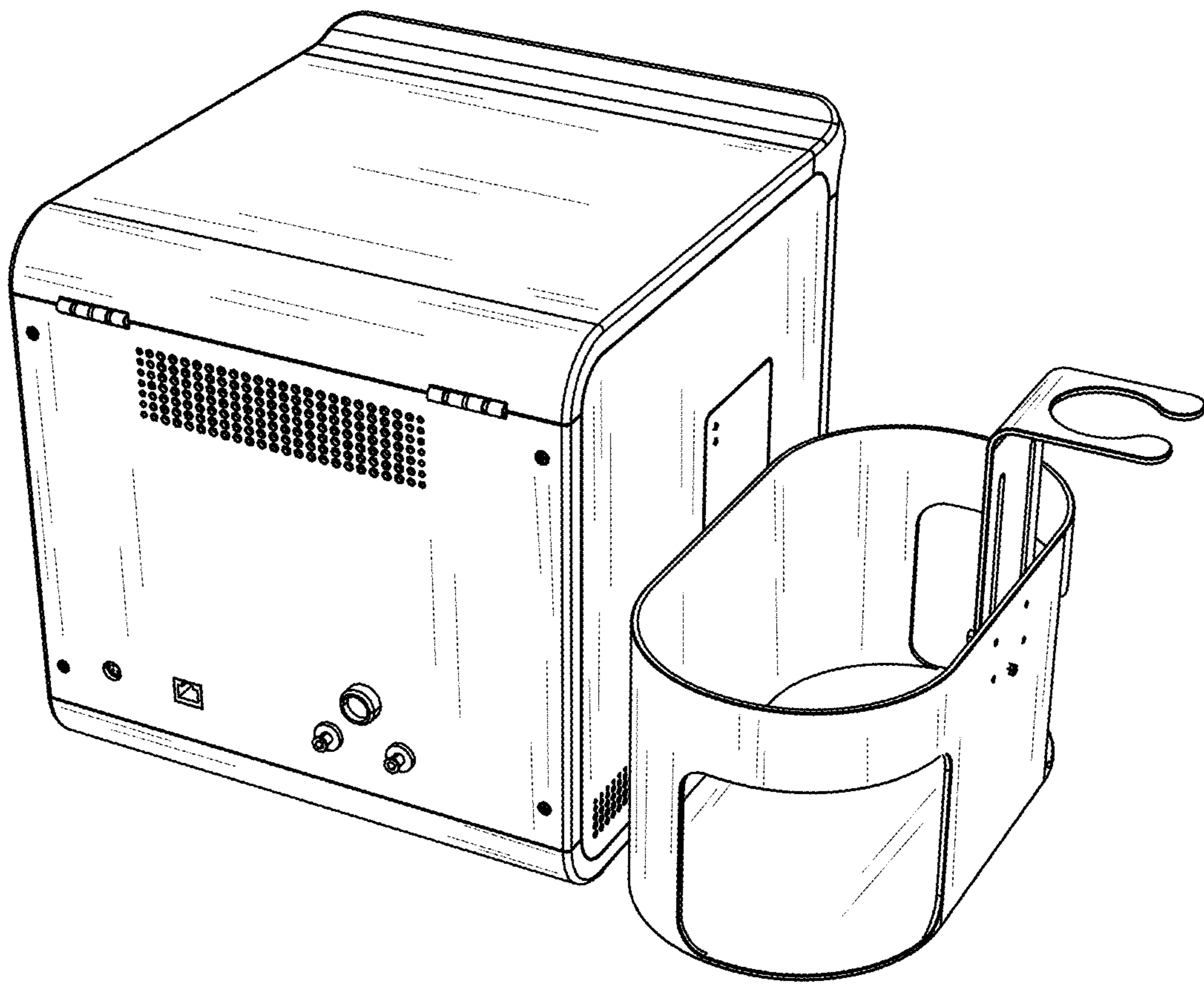


FIG. 8