



US00D897550S

(12) **United States Design Patent** (10) **Patent No.:** **US D897,550 S**  
**Park et al.** (45) **Date of Patent:** **\*\* Sep. 29, 2020**

(54) **SKIN TREATMENT APPARATUS**

(56) **References Cited**

(71) Applicant: **LG ELECTRONICS INC.**, Seoul (KR)

U.S. PATENT DOCUMENTS

(72) Inventors: **Sunha Park**, Seoul (KR); **Sooyoung Park**, Seoul (KR)

D548,128 S *	8/2007	Andren .....	D11/3
D554,269 S *	10/2007	Fareed .....	D24/192
D717,956 S *	11/2014	Alexander .....	D24/167
D726,057 S *	4/2015	Wai .....	D11/4
D765,244 S *	8/2016	Jones .....	D24/133
D782,053 S *	3/2017	Ferguson-Shakir .....	D24/186
D811,613 S *	2/2018	Marton .....	D24/190
D811,614 S *	2/2018	Marton .....	D24/190
D831,839 S *	10/2018	Pelletier .....	D24/209
D833,119 S *	11/2018	Yates .....	D2/875
D858,044 S *	9/2019	Masters .....	D2/891
D863,295 S *	10/2019	Hardi .....	D14/344
D870,062 S *	12/2019	Peng .....	D14/192
D877,144 S *	3/2020	Jeon .....	D14/344
2017/0055595 A1 *	3/2017	Zachi .....	A41C 3/0057

(73) Assignee: **LG ELECTRONICS INC.**, Seoul (KR)

(\*\*) Term: **15 Years**

(21) Appl. No.: **35/506,908**

(22) Filed: **Dec. 10, 2018**

\* cited by examiner

(80) **Hague Agreement Data**

Int. Filing Date: **Dec. 10, 2018**  
Int. Reg. No.: **DM/200359**  
Int. Reg. Date: **Dec. 10, 2018**  
Int. Reg. Pub. Date: **Jun. 14, 2019**

*Primary Examiner* — Samantha Q Lawrence  
(74) *Attorney, Agent, or Firm* — Birch, Stewart, Kolasch & Birch, LLP

(30) **Foreign Application Priority Data**

Jun. 12, 2018 (KR) ..... 30-2018-0027106

(51) **LOC (12) Cl.** ..... **28-03**

(52) **U.S. Cl.**  
USPC ..... **D24/209**

(58) **Field of Classification Search**  
USPC ..... D24/102, 112, 113, 114, 115, 127, 133, D24/146, 147, 148, 149, 151, 164, 167, D24/169, 186, 187, 189, 190, 191, 192, D24/209, 214, 215, 231; D14/344, D14/138 R, 144, 341, 358, 485-489, 125, D14/126, 299, 371, 372, 432, 496  
CPC ..... A61H 15/00; A61H 2015/0014; A61H 15/0092; A61H 23/0263; A61M 5/2387; A61M 5/3295; A61M 5/3297; A61M 5/3298; A61M 2023/0023; A61M 37/00; A61M 37/0015; A45D 2/2471; A46B 2200/104; G01M 17/0074

See application file for complete search history.

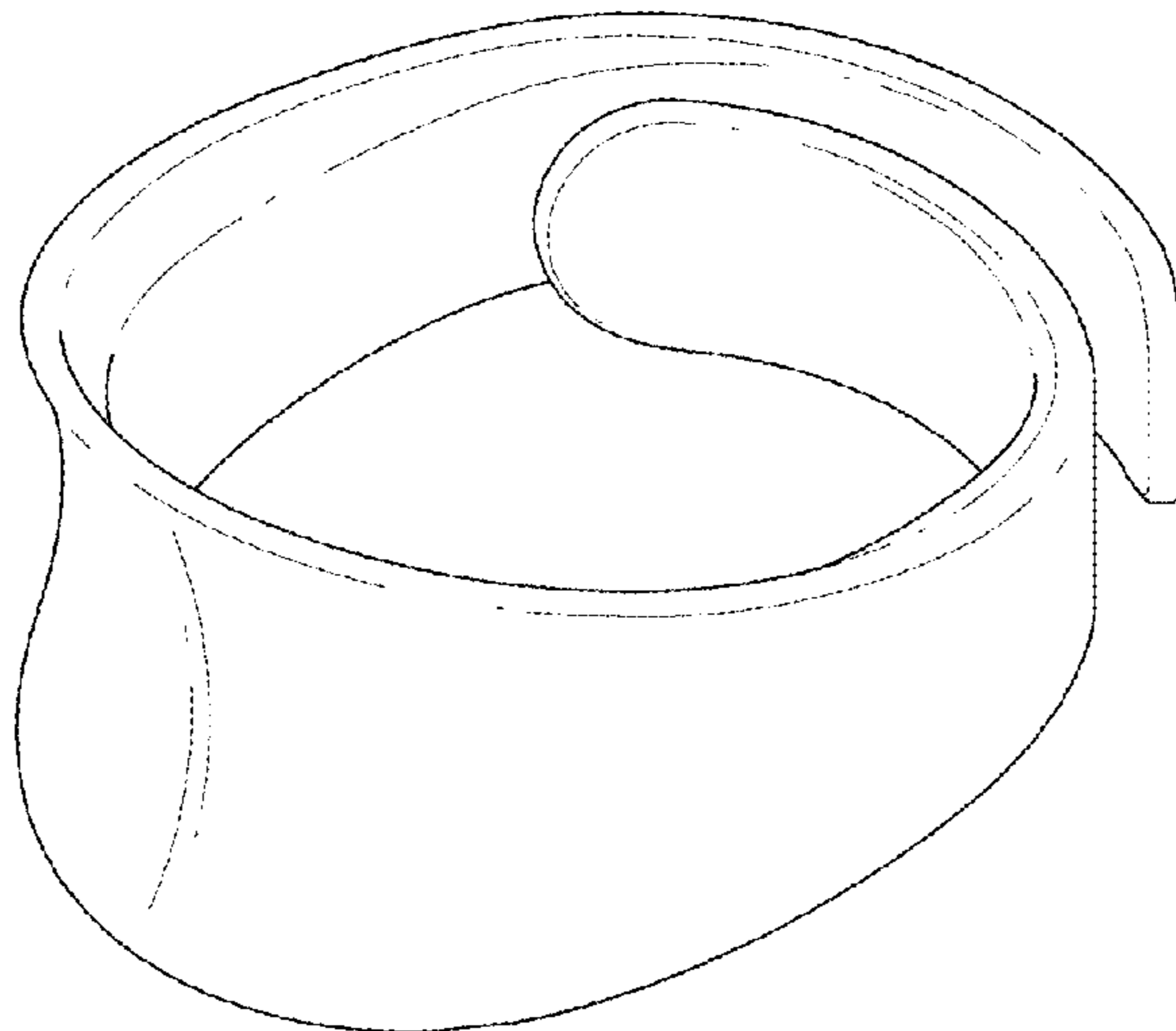
(57) **CLAIM**

The ornamental design for a skin treatment apparatus, as shown and described.

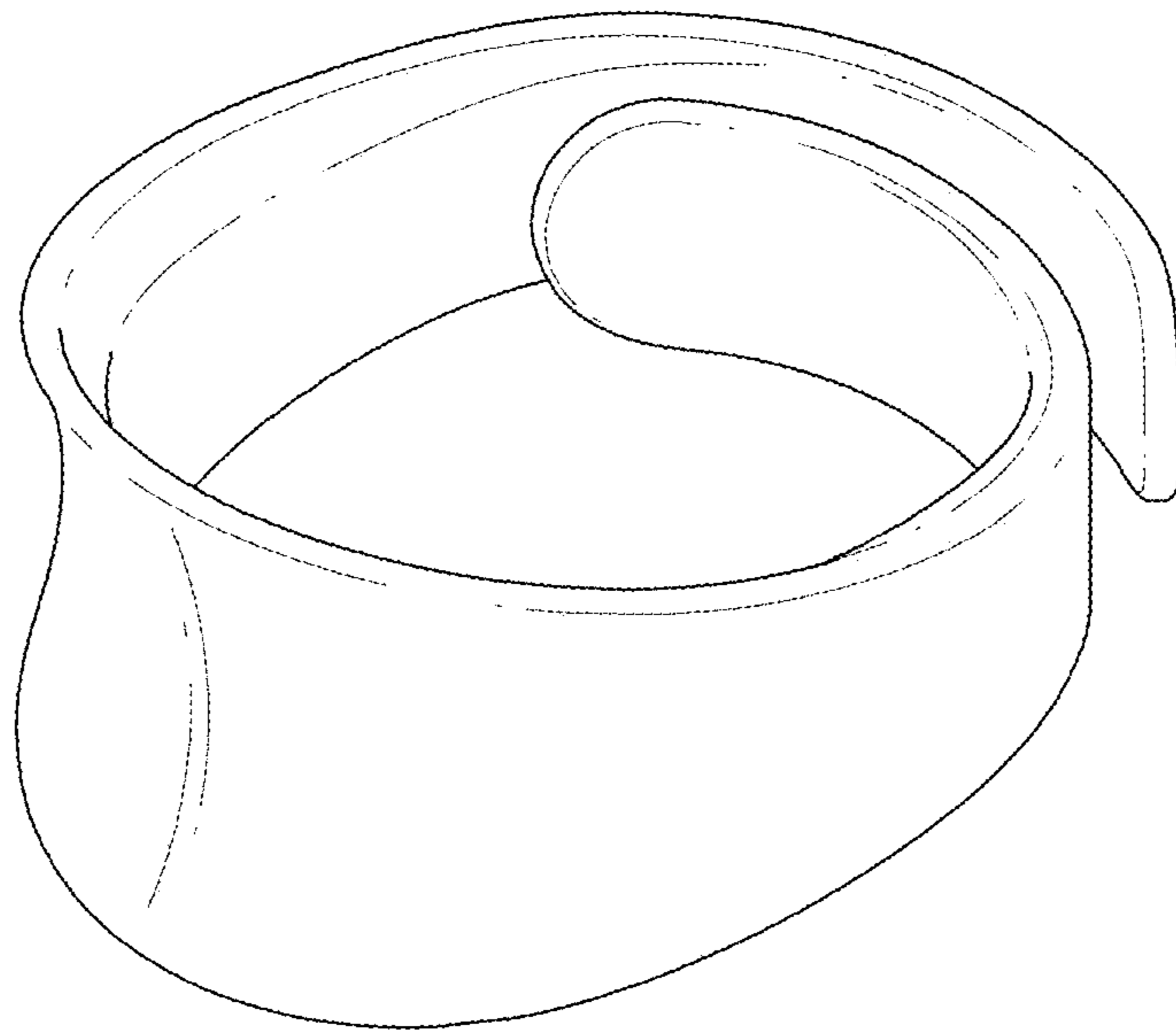
**DESCRIPTION**

1. Skin treatment apparatus  
FIG. 1.1 is a perspective view of a skin treatment apparatus; FIG. 1.2 is a front view thereof; FIG. 1.3 is a back view thereof; FIG. 1.4 is a side view thereof; FIG. 1.5 is another side view thereof; FIG. 1.6 is a top view thereof; and FIG. 1.7 is a bottom view thereof.  
The broken lines indicate portions of the article that form no part of the claimed design.

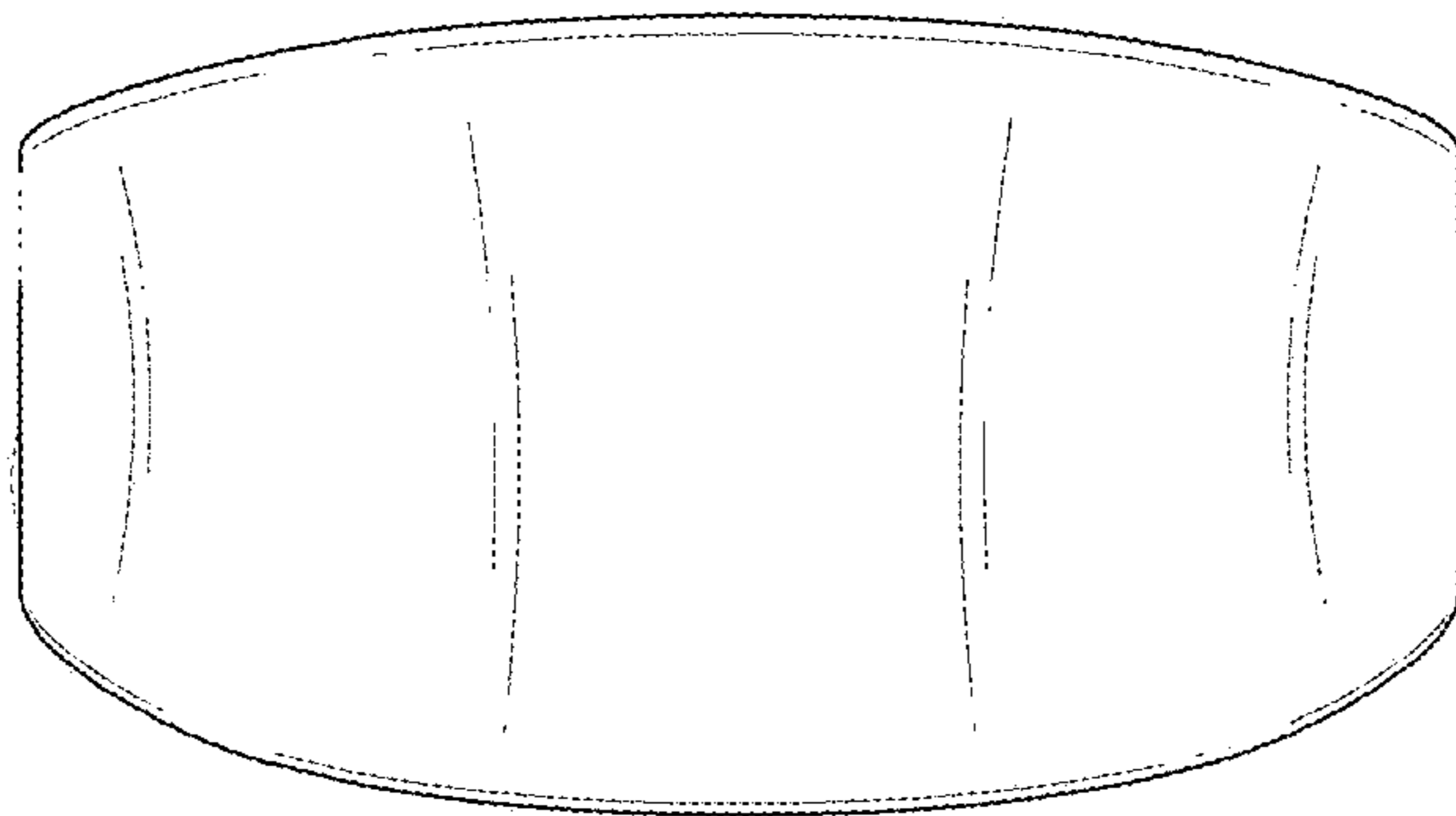
**1 Claim, 7 Drawing Sheets**



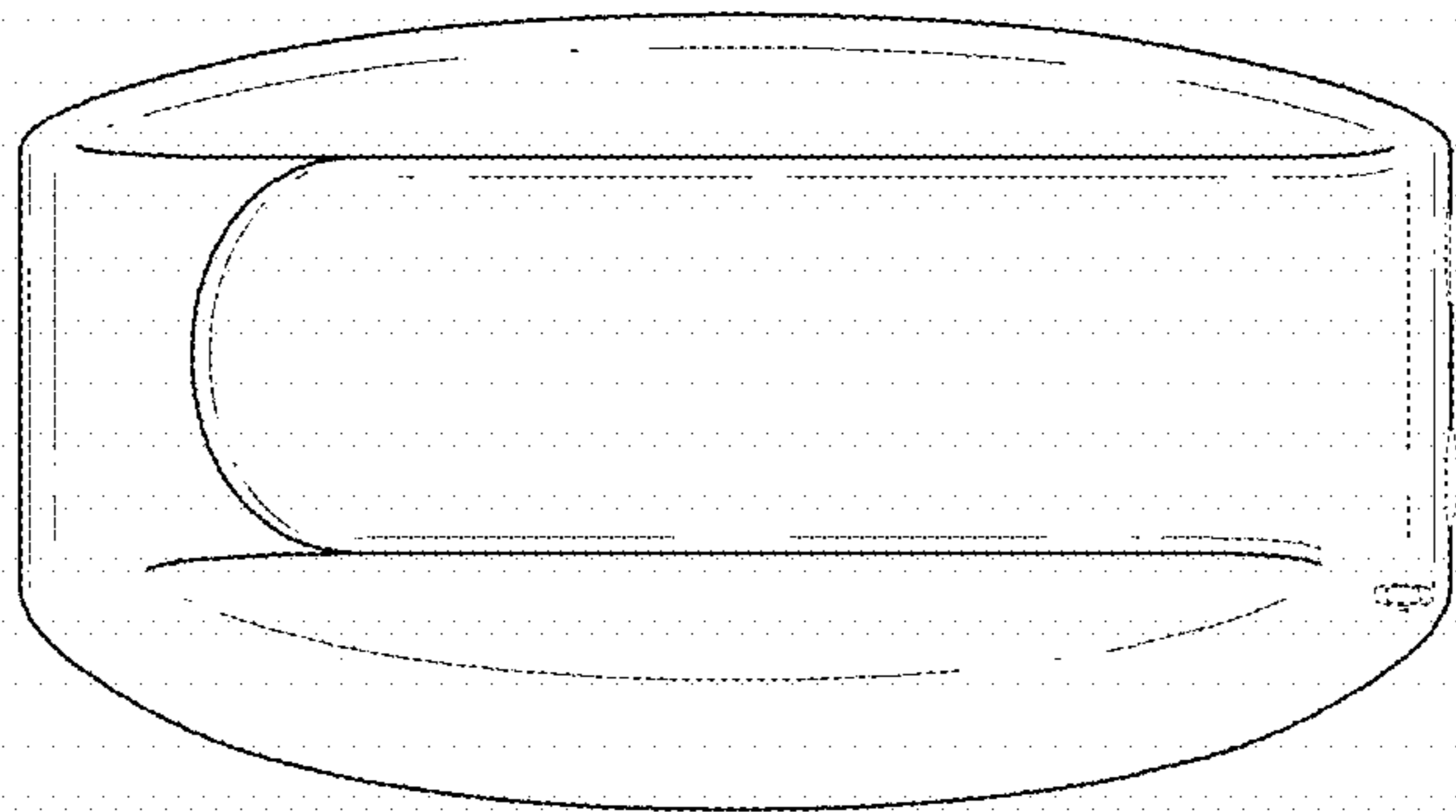
1.1



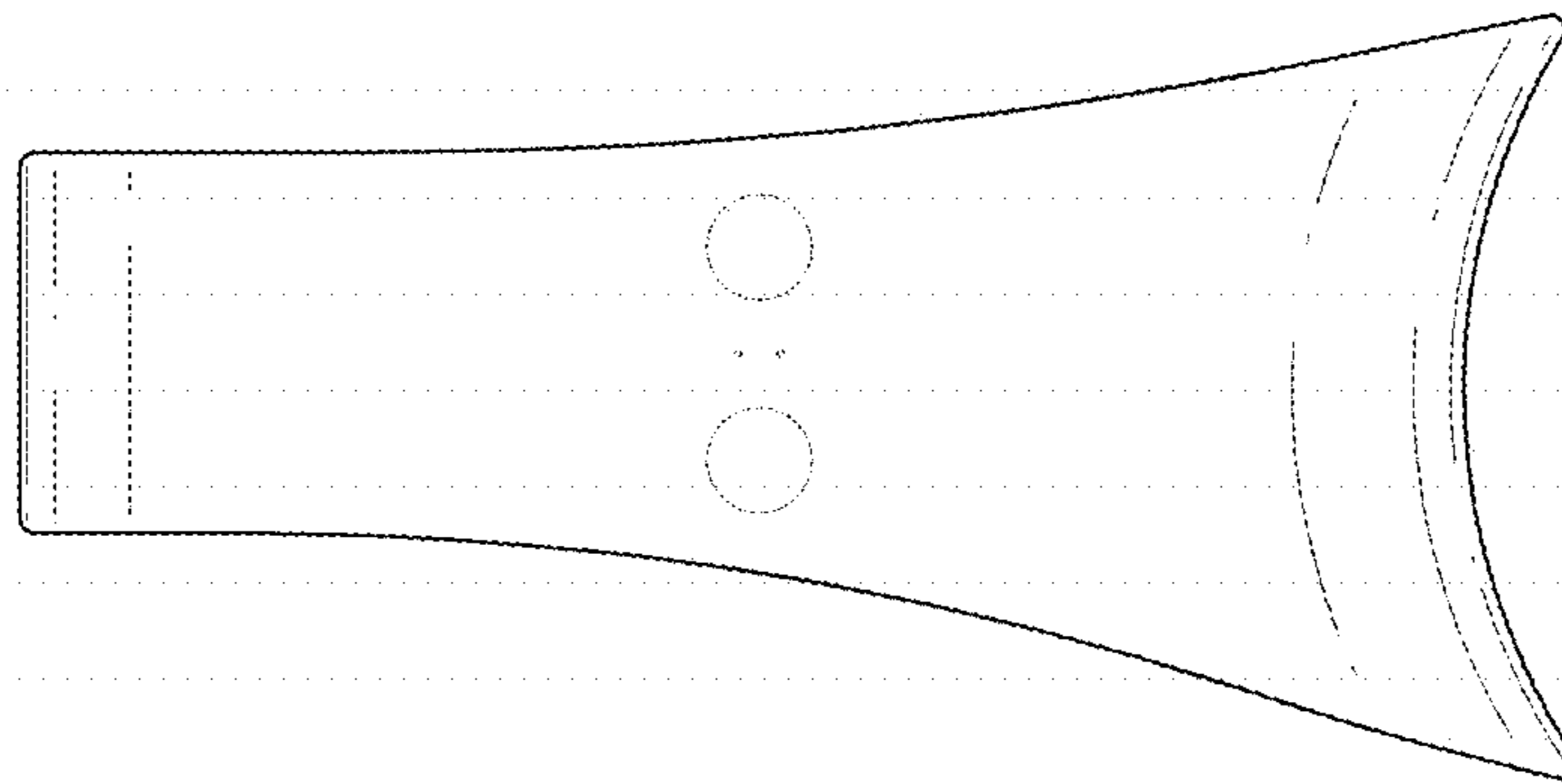
1.2



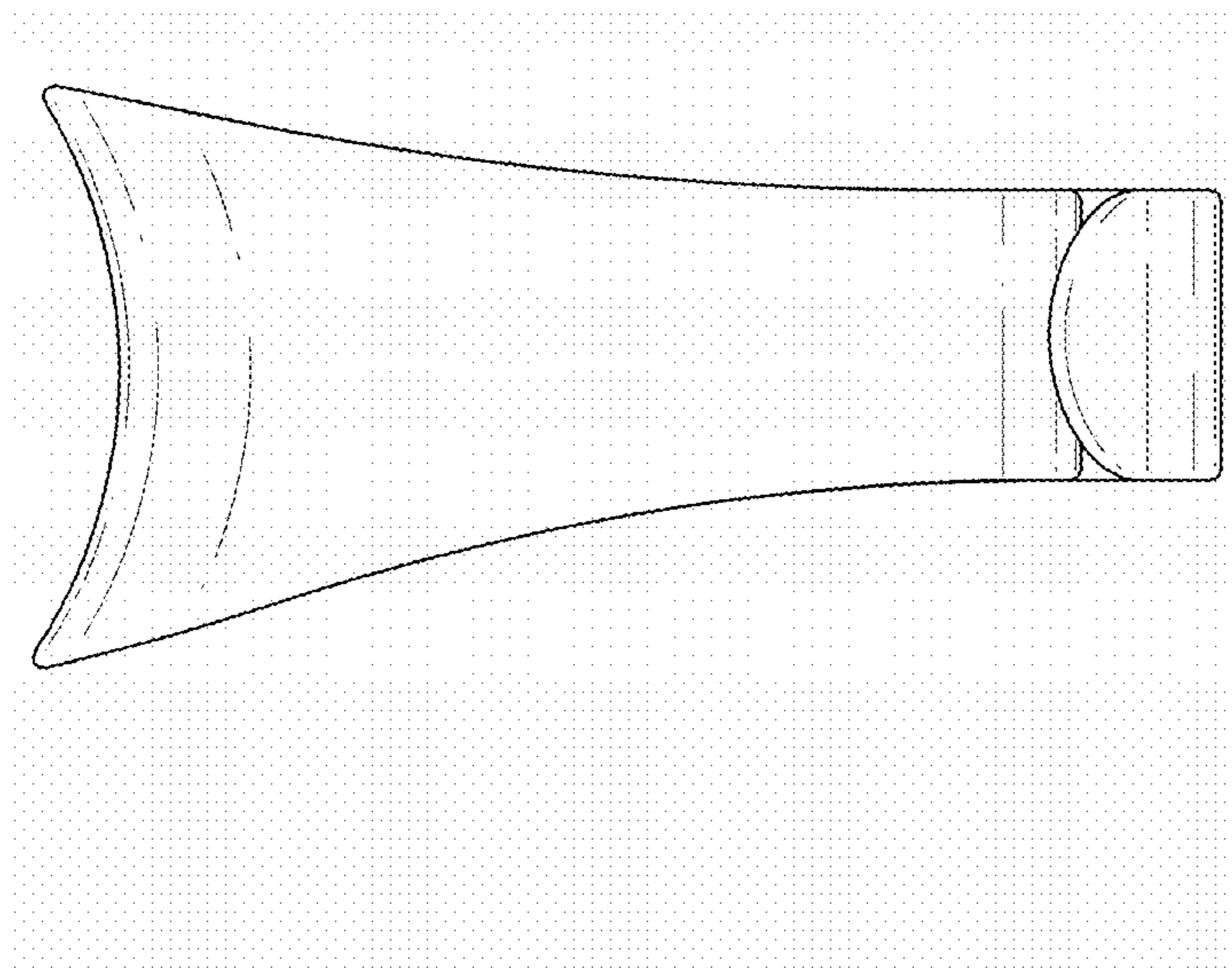
1.3



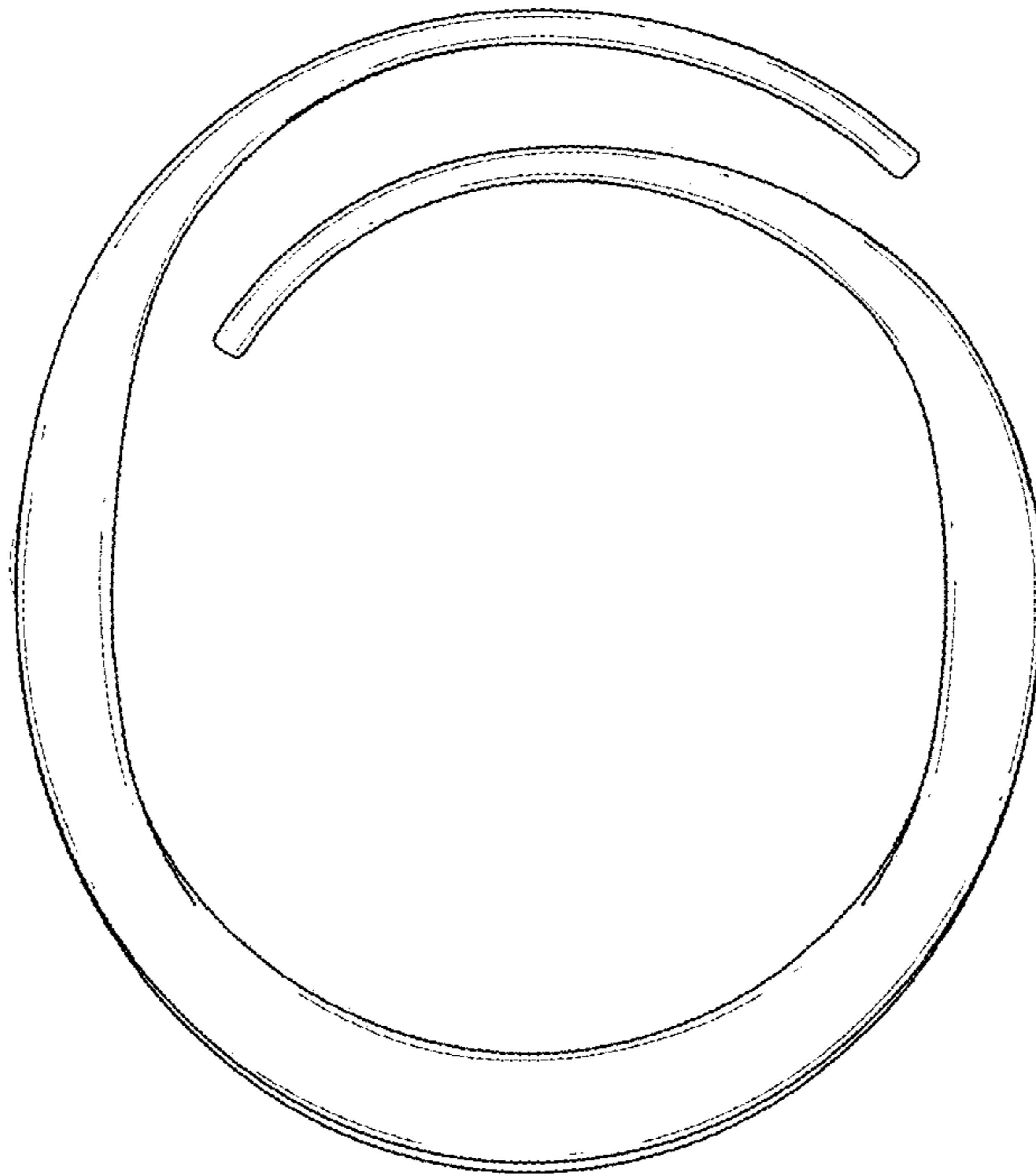
1.4



1.5



1.6



1.7

