



US00D897546S

(12) **United States Design Patent** (10) **Patent No.:** **US D897,546 S**  
**Gowanlock et al.** (45) **Date of Patent:** **\*\* Sep. 29, 2020**

(54) **POSITIONAL SLEEPING AID**  
(71) Applicant: **KEGO Corporation**, London (CA)  
(72) Inventors: **Kevin Gowanlock**, London (CA);  
**Nathan Pye**, Woodstock (CA)  
(73) Assignee: **KEGO Corporation**, London (CA)  
(\*\*) Term: **15 Years**  
(21) Appl. No.: **29/676,696**  
(22) Filed: **Jan. 14, 2019**  
(51) **LOC (12) Cl.** ..... **24-02**  
(52) **U.S. Cl.**  
USPC ..... **D24/190; D24/183**  
(58) **Field of Classification Search**  
USPC ..... D24/183–184, 188, 190–191, 200, 211,  
D24/215; D6/392, 596, 601; D29/101.3  
CPC .... A61B 34/71; A61B 90/14; A61G 13/0036;  
A61G 13/0054; A61G 13/1285; A61G  
13/1295; A61G 13/12; A61G 15/02;  
A61G 15/14  
See application file for complete search history.

(56) **References Cited**

**U.S. PATENT DOCUMENTS**

5,195,948 A \* 3/1993 Hill ..... A61F 5/028  
602/19  
D439,342 S \* 3/2001 Seip, Jr. .... D24/190  
D446,305 S \* 8/2001 Buchanan ..... D24/183  
D489,458 S \* 5/2004 Joseph ..... D24/192  
D494,276 S \* 8/2004 Joseph ..... D24/190  
D550,847 S \* 9/2007 Kixmiller ..... D24/190  
7,367,071 B1 \* 5/2008 Yesalusky, Jr. .... A47C 20/026  
128/845  
D673,285 S \* 12/2012 Rivero ..... D24/215  
D682,435 S \* 5/2013 Lowsky, Jr. .... D24/193  
D743,021 S \* 11/2015 Chen ..... D24/110  
D745,139 S \* 12/2015 Chen ..... D24/110  
D781,074 S 3/2017 Morris  
D852,967 S \* 7/2019 Wilson ..... D24/194  
D856,524 S \* 8/2019 Bergbacka ..... D24/215

D877,916 S \* 3/2020 Gewant ..... D24/184  
D878,107 S \* 3/2020 Cohen ..... D6/601  
D878,618 S \* 3/2020 Kafker ..... D24/211

**FOREIGN PATENT DOCUMENTS**

CN 201030538063 \* 9/2010

**OTHER PUBLICATIONS**

Using a lumbar support cushion on an inversion table. Online, published date unknown. Retrieved on Mar. 20, 2019 from URL: <https://inversionzone.com/inversion-accessories/using-a-lumbar-support-cushion-on-an-inversion-table/>.  
Kego Corporation. Online, published date Nov. 20, 2019. Retrieved on Mar. 20, 2020 from URL: <https://www.homecaremag.com/november-2019/market-leading-products-cpap>.

\* cited by examiner

*Primary Examiner* — Susan Bennett Hattan  
*Assistant Examiner* — Omeed Agilee  
(74) *Attorney, Agent, or Firm* — McDonald Hopkins LLC

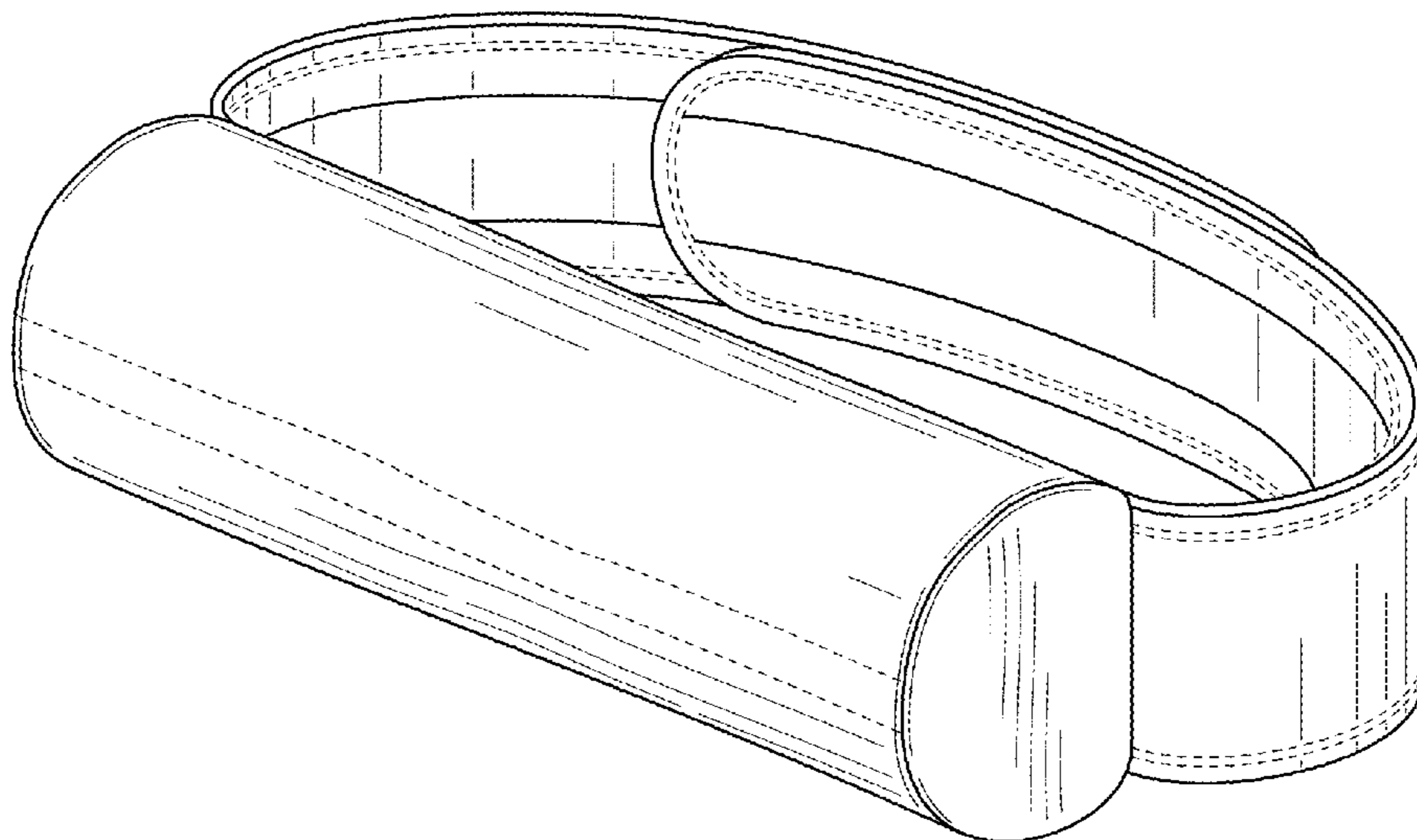
(57) **CLAIM**

The ornamental design for a positional sleeping aid, as shown and described.

**DESCRIPTION**

FIG. 1 is a perspective view of a positional sleeping aid showing our new design;  
FIG. 2 is a bottom side view thereof;  
FIG. 3 is a top side view thereof;  
FIG. 4 is a first side view thereof;  
FIG. 5 is a second side view thereof;  
FIG. 6 is a front view thereof;  
FIG. 7 is a back view thereof; and,  
FIG. 8 is a perspective view of the positional sleeping aid in an expanded configuration.  
The broken lines illustrate portions of a positional sleeping aid that form no part of the claimed design.

**1 Claim, 5 Drawing Sheets**



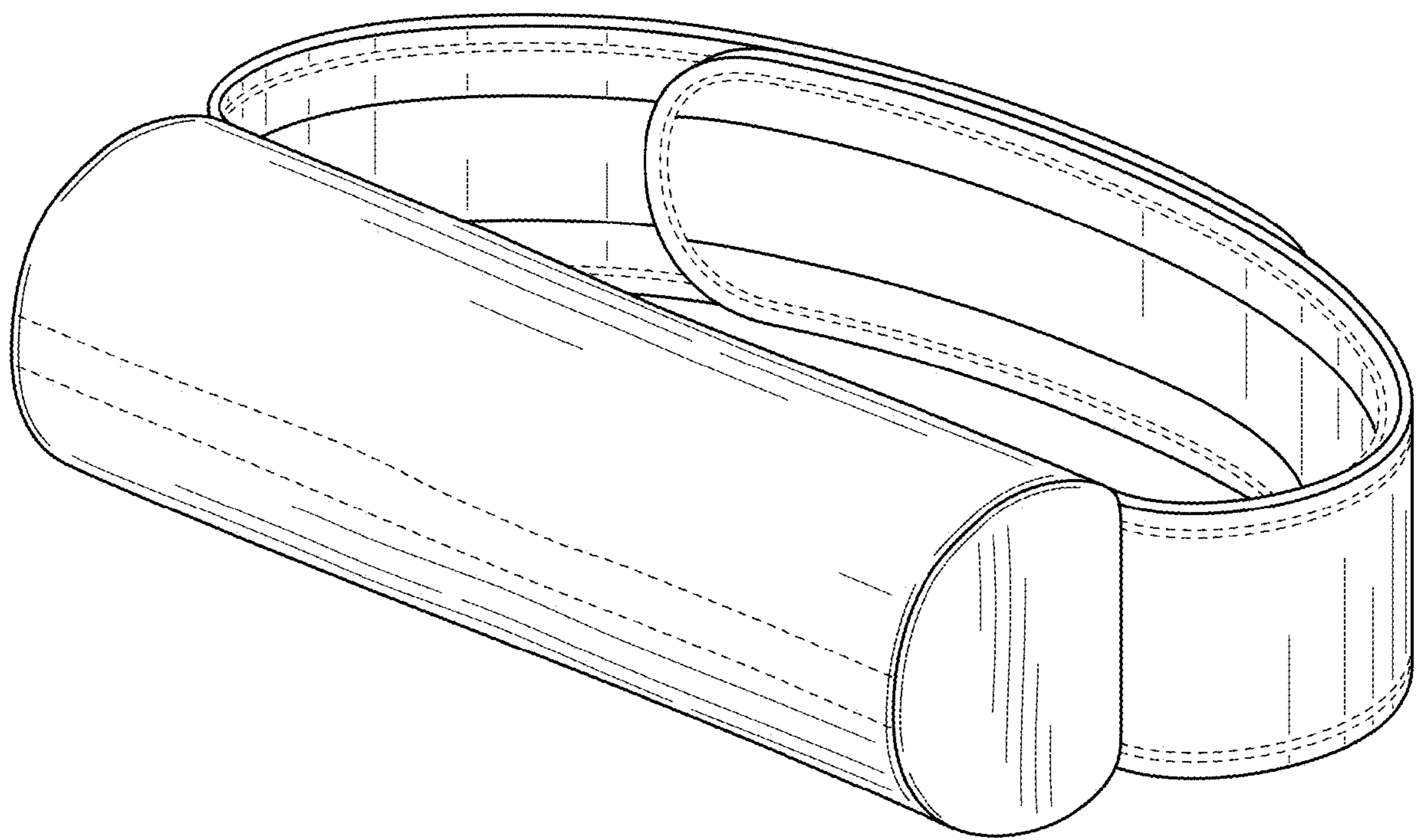


FIG. 1

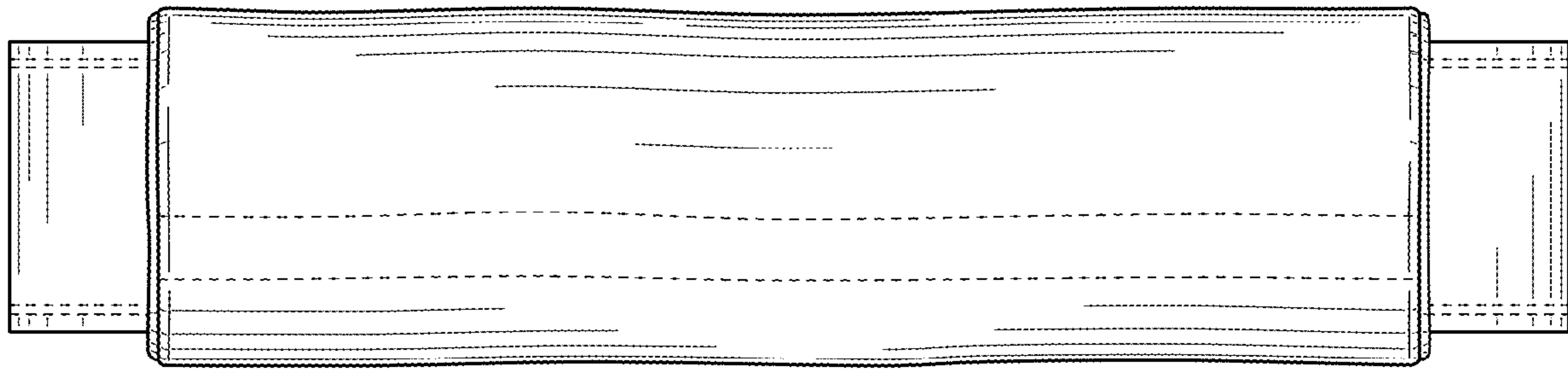


FIG. 2

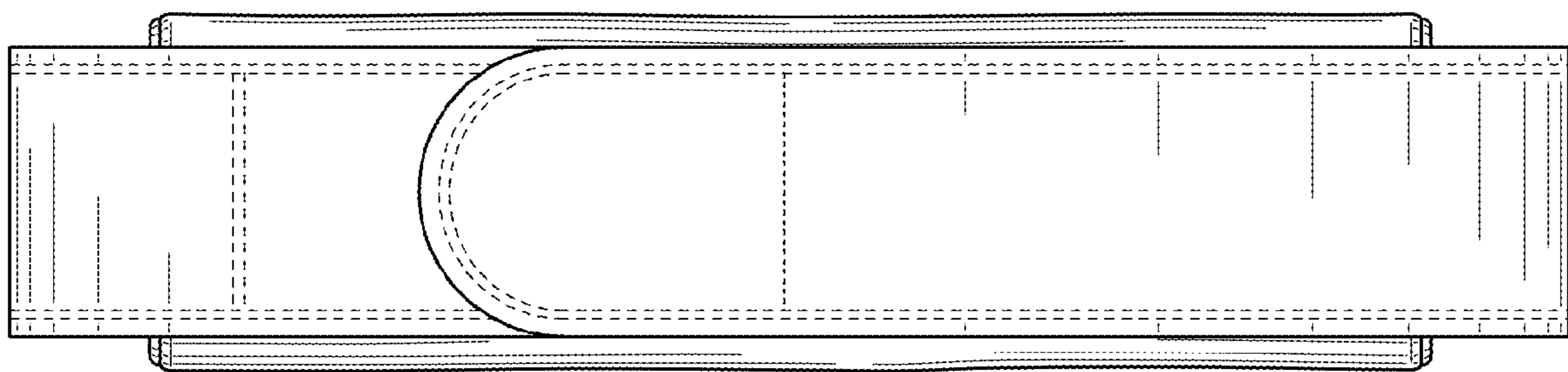


FIG. 3

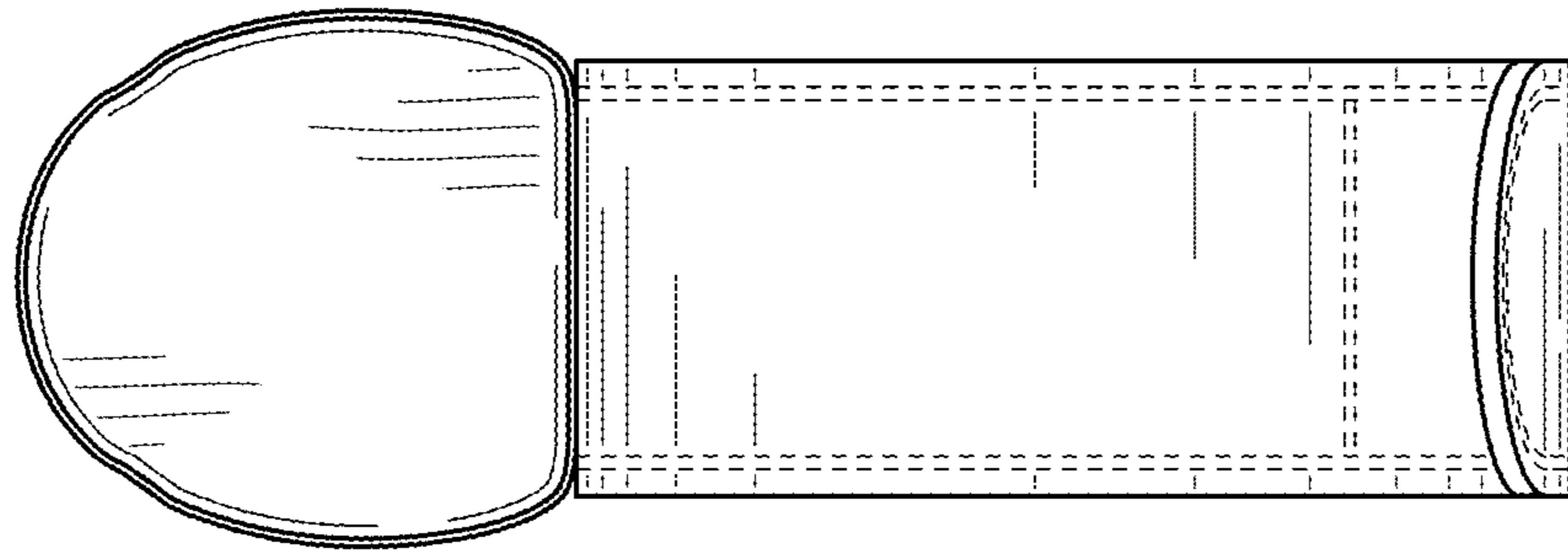


FIG. 4

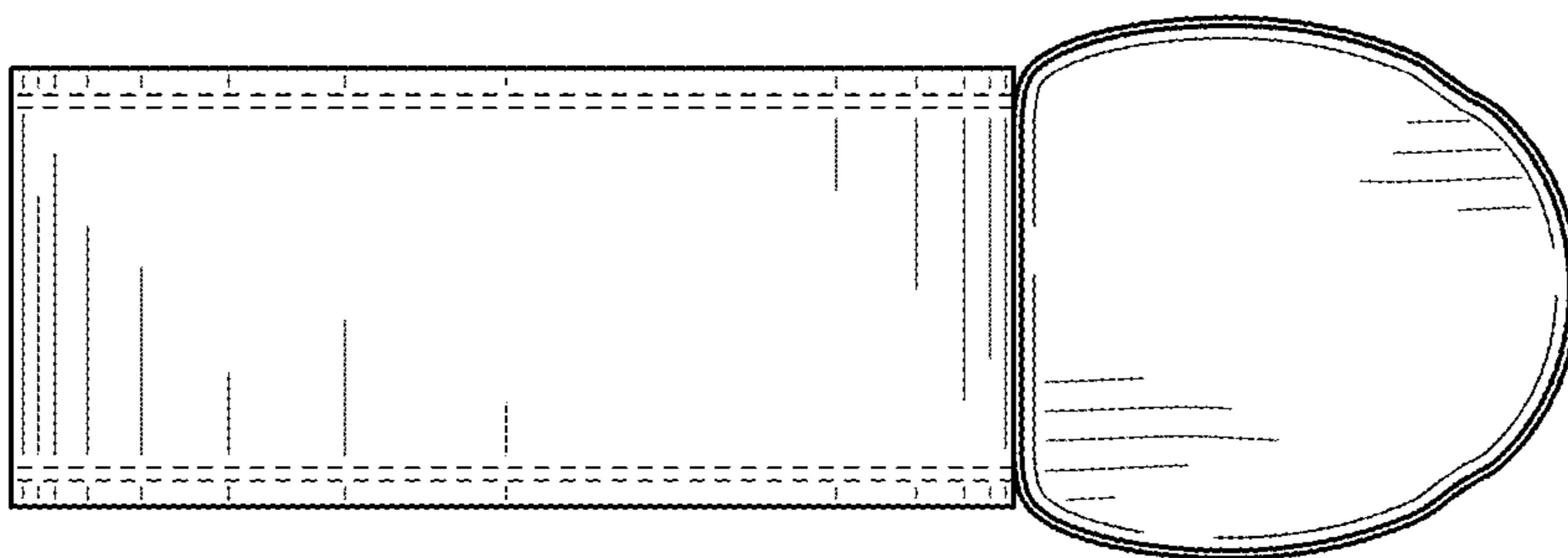


FIG. 5

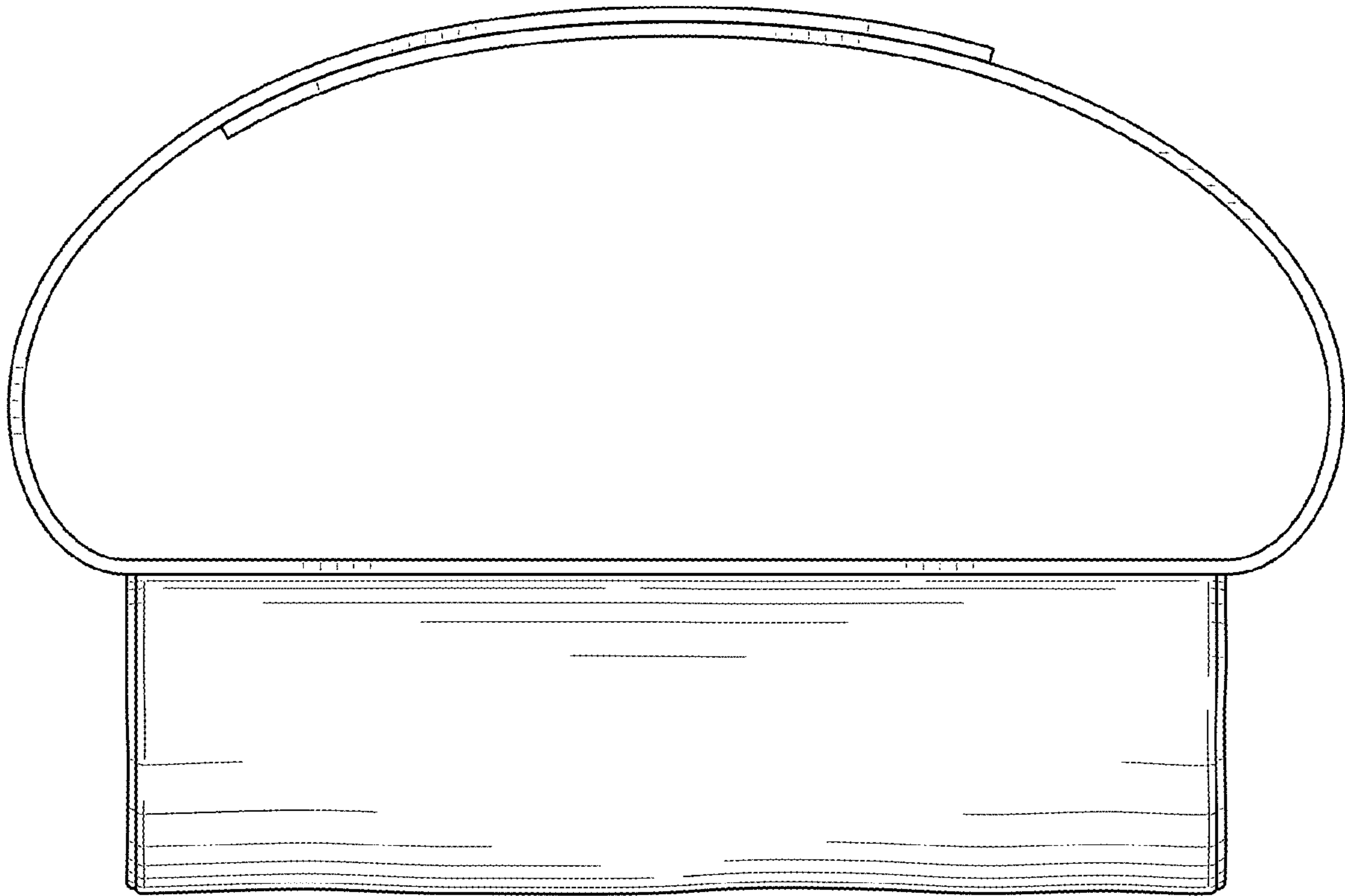


FIG. 6

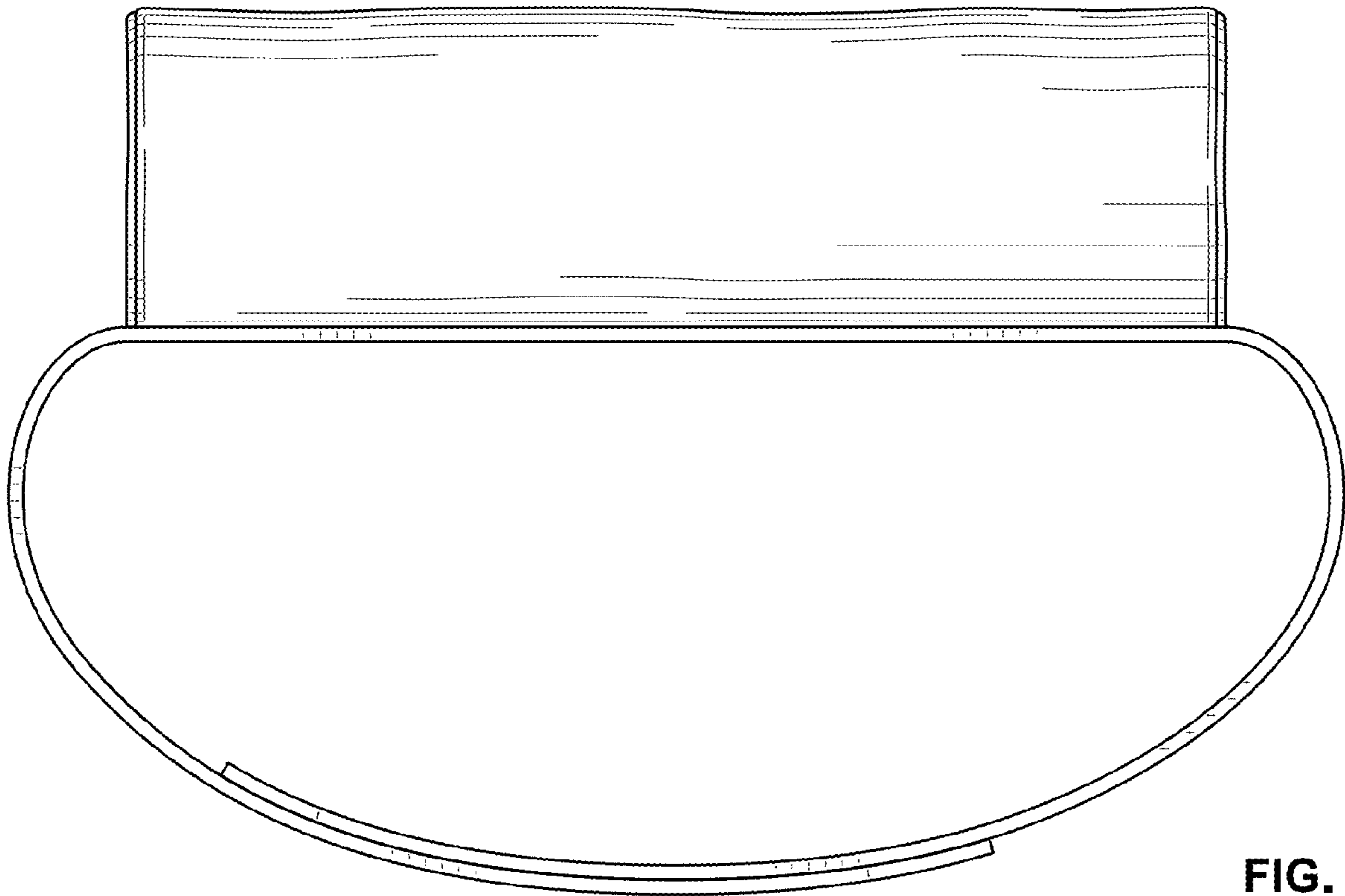


FIG. 7

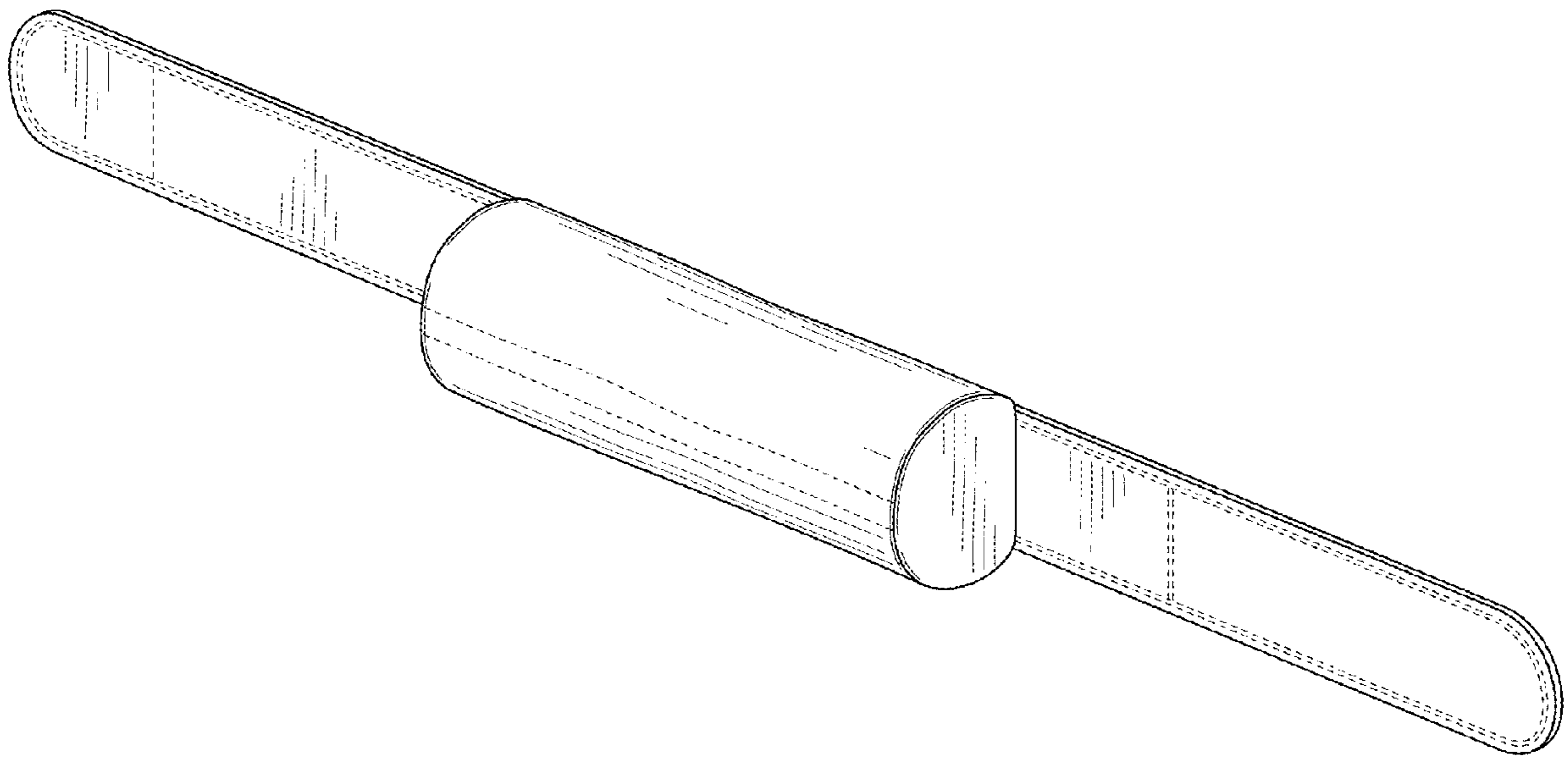


FIG. 8