



US00D897544S

(12) **United States Design Patent**  
**Abecasis**

(10) **Patent No.:** **US D897,544 S**

(45) **Date of Patent:** **\*\* Sep. 29, 2020**

(54) **MULTIFUNCTIONAL THERAPEUTIC  
WORKOUT ENHANCEMENT BRACE**

(71) Applicant: **Jordan Alexander Abecasis**, Coral Springs, FL (US)

(72) Inventor: **Jordan Alexander Abecasis**, Coral Springs, FL (US)

(\*\*) Term: **15 Years**

(21) Appl. No.: **29/664,532**

(22) Filed: **Sep. 26, 2018**

**Related U.S. Application Data**

(63) Continuation-in-part of application No. 16/119,965, filed on Aug. 31, 2018.

(51) **LOC (12) Cl.** ..... **24-01**

(52) **U.S. Cl.**  
USPC ..... **D24/188**; D24/190; D21/683

(58) **Field of Classification Search**  
USPC ..... D24/188-190; D29/121.1; D30/144;  
D21/683, 684  
CPC ..... A61F 2005/0176; A61F 5/0123; A61F  
13/085

See application file for complete search history.

(56) **References Cited**

**U.S. PATENT DOCUMENTS**

D278,455 S \* 4/1985 Nosek ..... D21/683  
D297,658 S \* 9/1988 Winston ..... D2/969  
D419,624 S \* 1/2000 Eckmann ..... D21/683  
6,244,997 B1 \* 6/2001 Cook ..... A63B 21/065  
482/105

D457,207 S \* 5/2002 Riley, Jr. .... D21/680  
D470,947 S \* 2/2003 Hamlin ..... D24/206  
D488,523 S \* 4/2004 Hamlin ..... D21/683  
D744,662 S \* 12/2015 Stevens ..... D2/614  
D848,005 S \* 5/2019 Adams ..... D24/190  
D874,010 S \* 1/2020 McCabe ..... D24/190

\* cited by examiner

*Primary Examiner* — Jennifer L Watkins

(57) **CLAIM**

The ornamental design for a multifunctional therapeutic workout enhancement brace, as shown and described.

**DESCRIPTION**

FIG. 1 is a rear-top-left perspective view of a multifunctional therapeutic workout enhancement brace showing my new design;

FIG. 2 is a front-top-left perspective view thereof;

FIG. 3 is a front-plan view thereof;

FIG. 4 is a rear-plan view thereof;

FIG. 5 is a left elevation view thereof;

FIG. 6 is a right elevation view thereof;

FIG. 7 is a top elevation view thereof; and,

FIG. 8 is a bottom elevation view thereof.

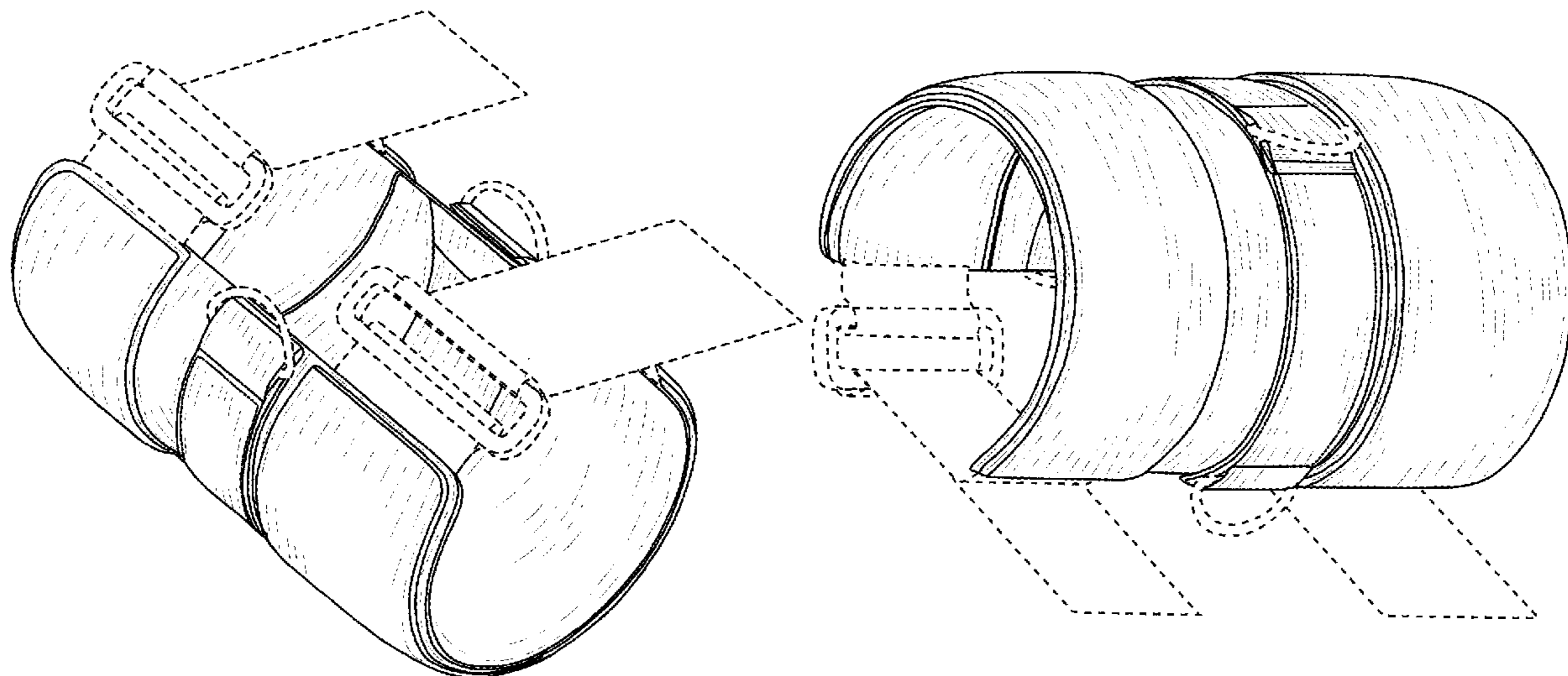
FIG. 9 is a top elevation view of an unwrapped configuration thereof; and,

FIG. 10 is a bottom elevation view of an unwrapped configuration thereof.

The broken line showing of the buckles, D-rings, and straps in FIGS. 1-10 are included for the purpose of showing environmental structure and form no part of the claimed design.

The broken lines shown on claimed surfaces depict stitching and form no part of the claim.

**1 Claim, 10 Drawing Sheets**



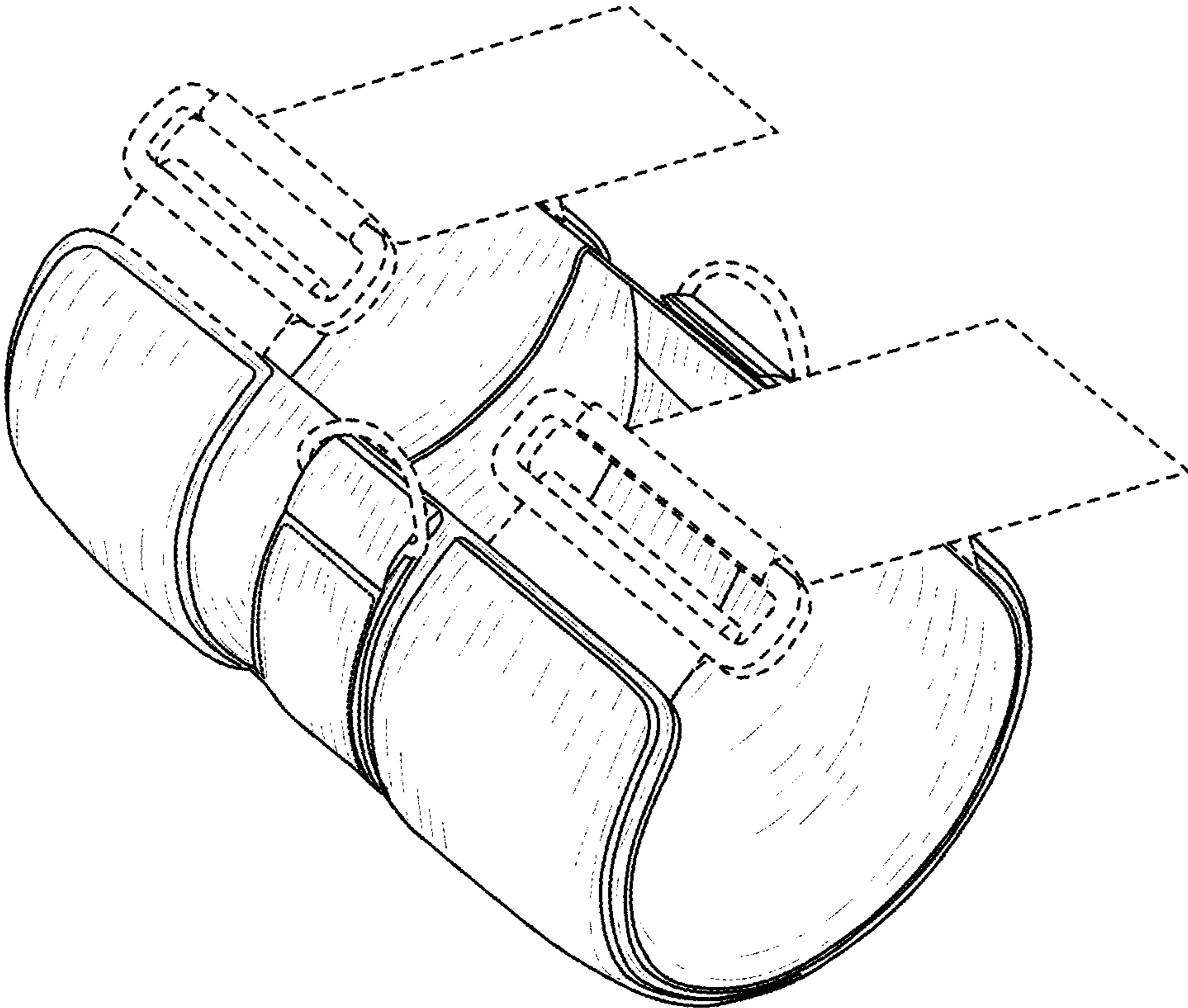


FIG. 1

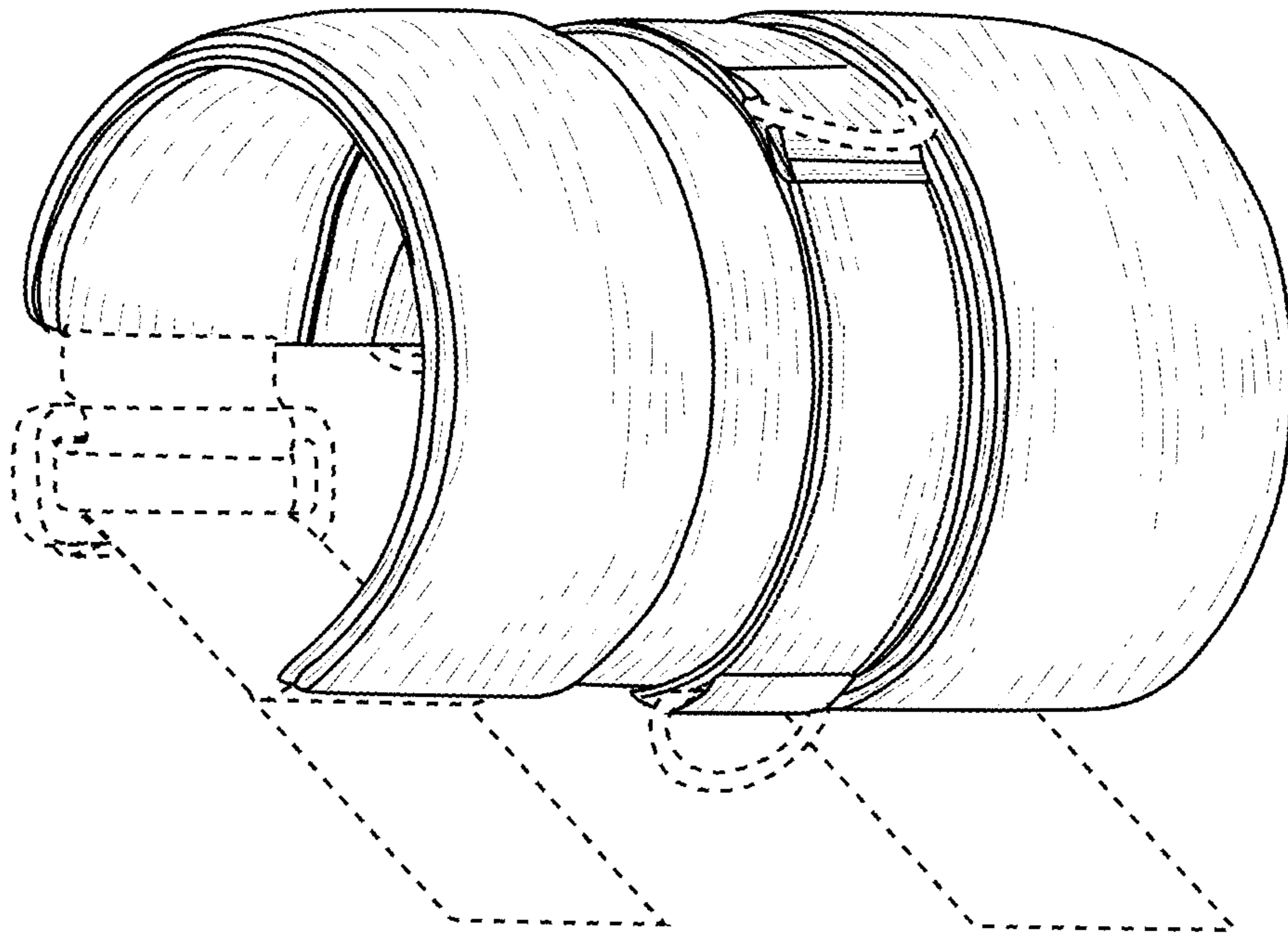


FIG. 2

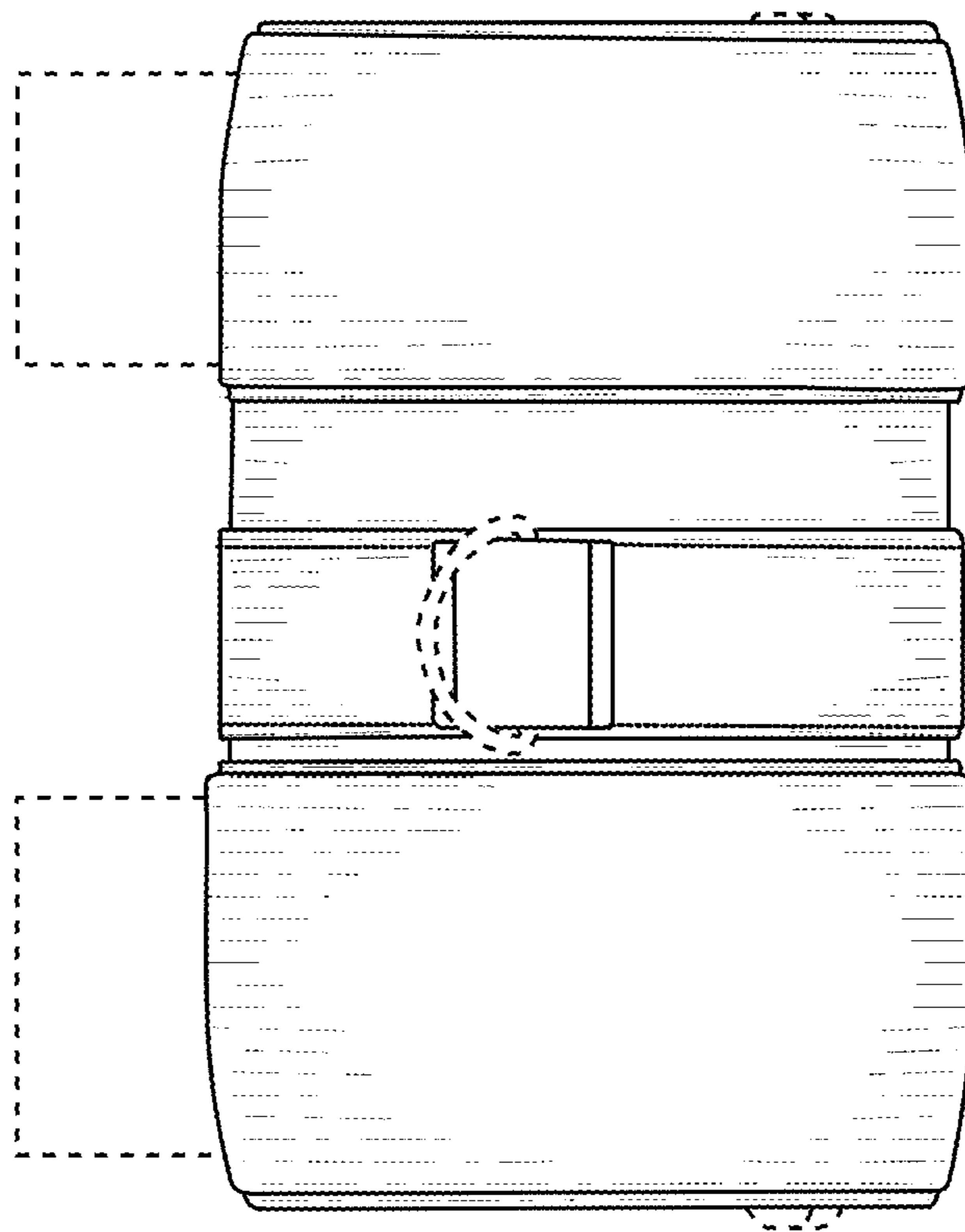


FIG. 3

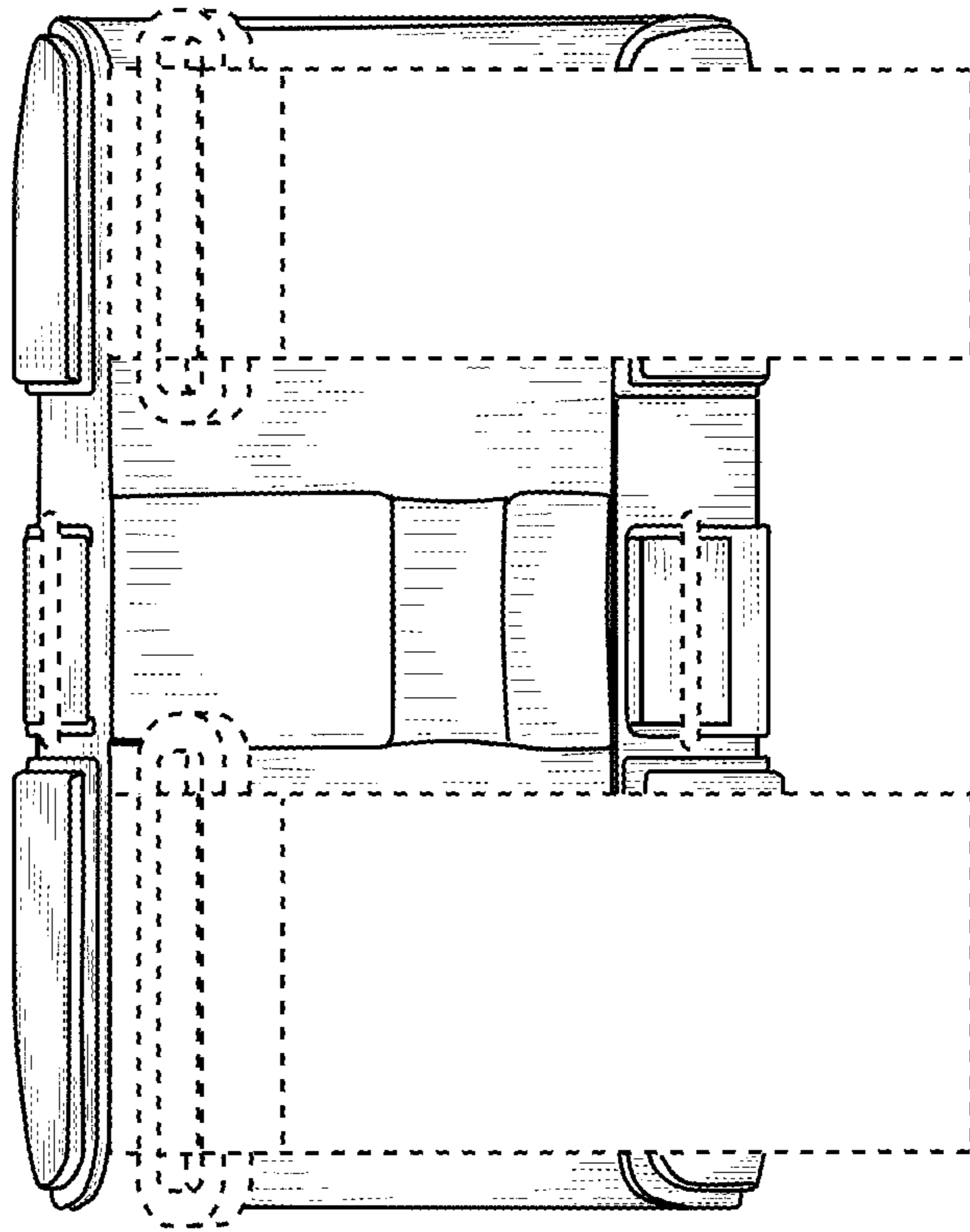


FIG. 4

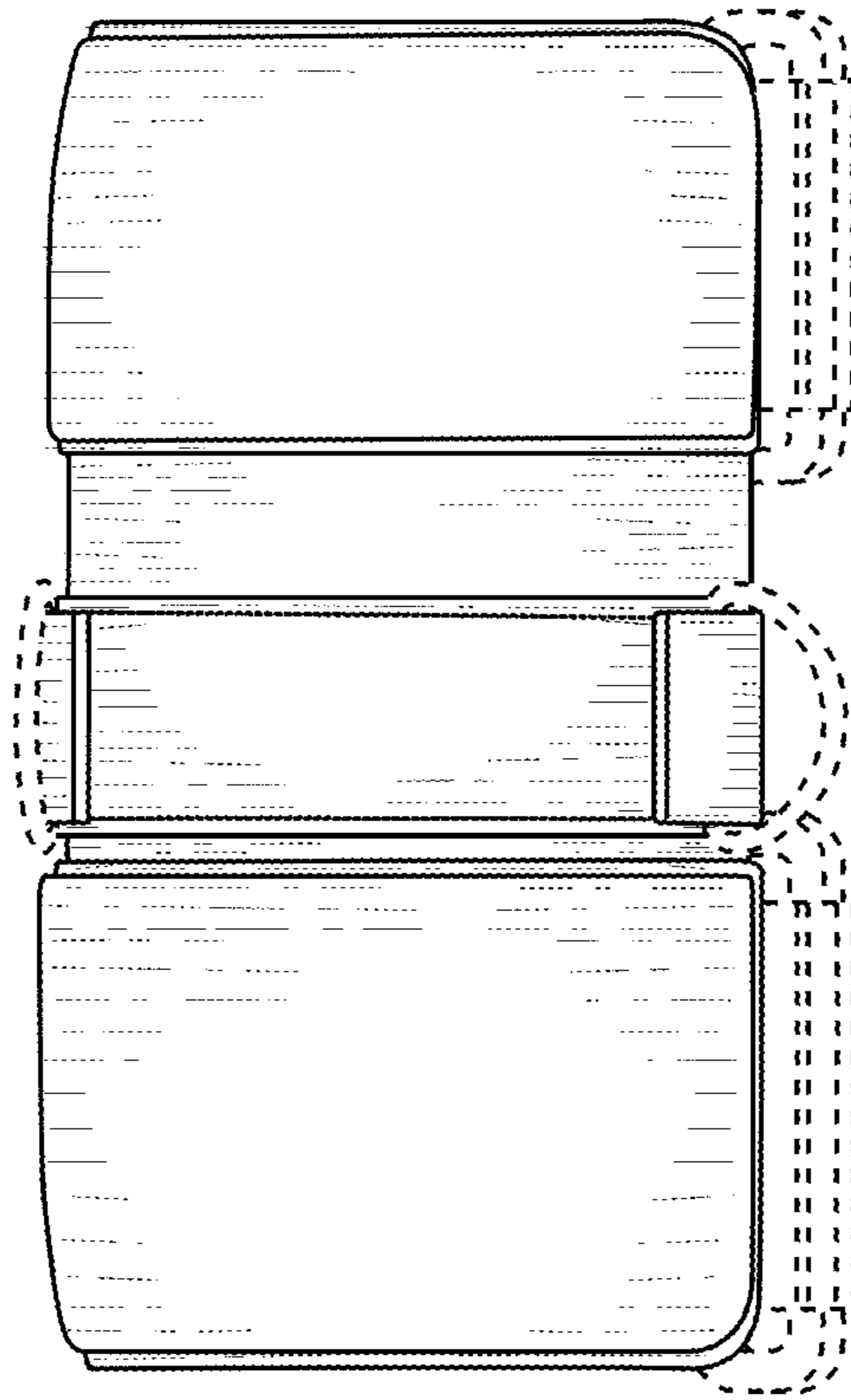


FIG. 5

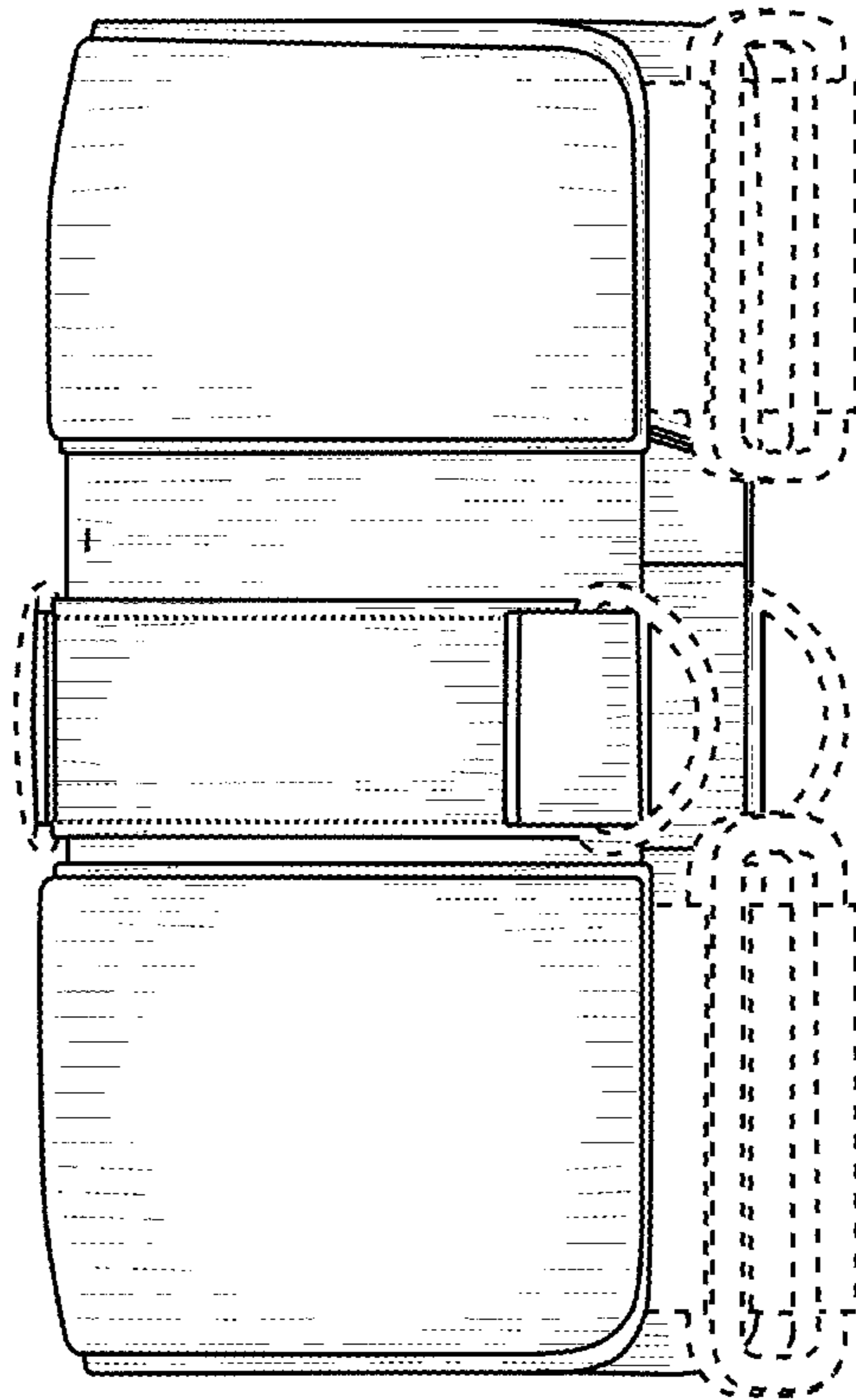


FIG. 6

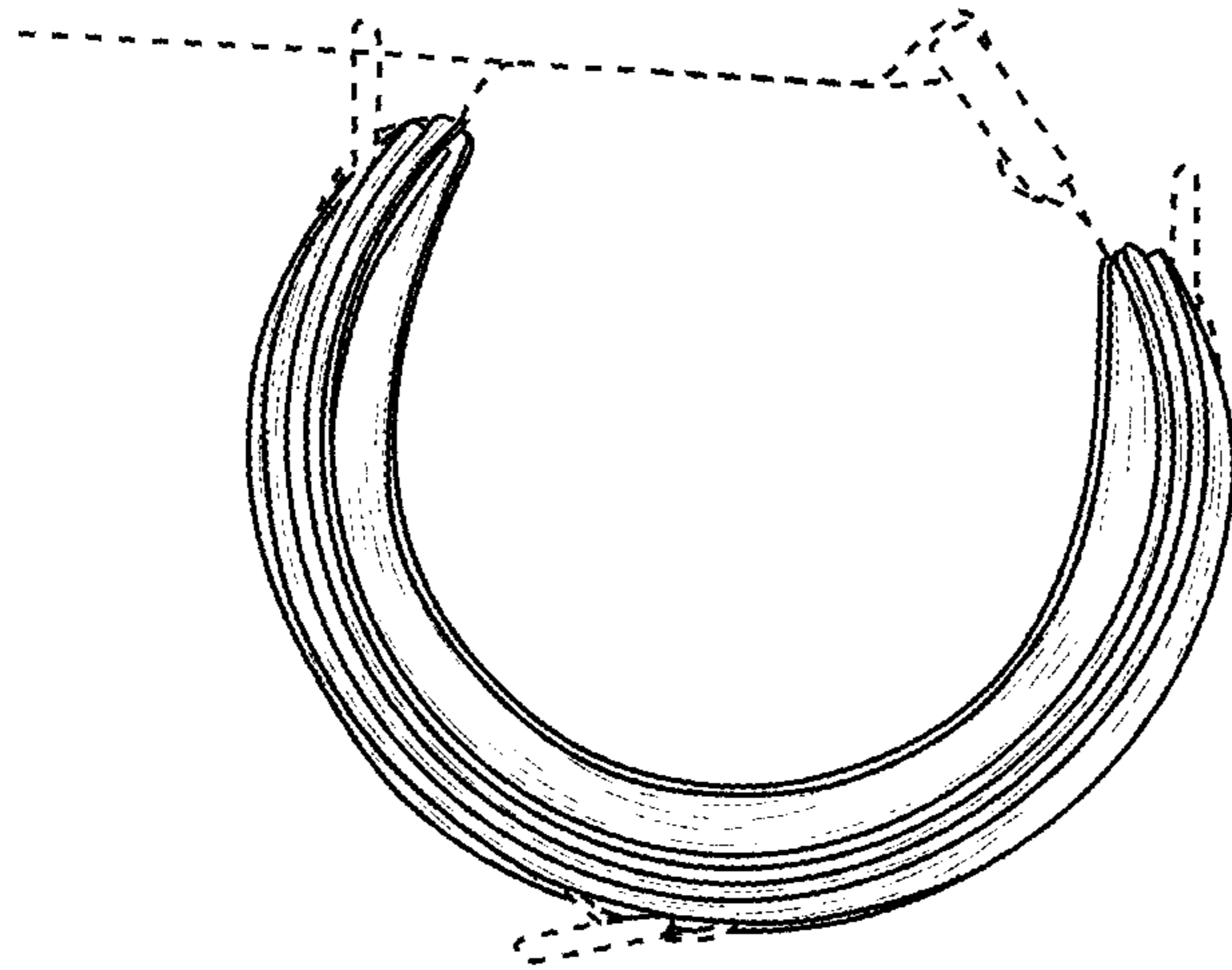


FIG. 7



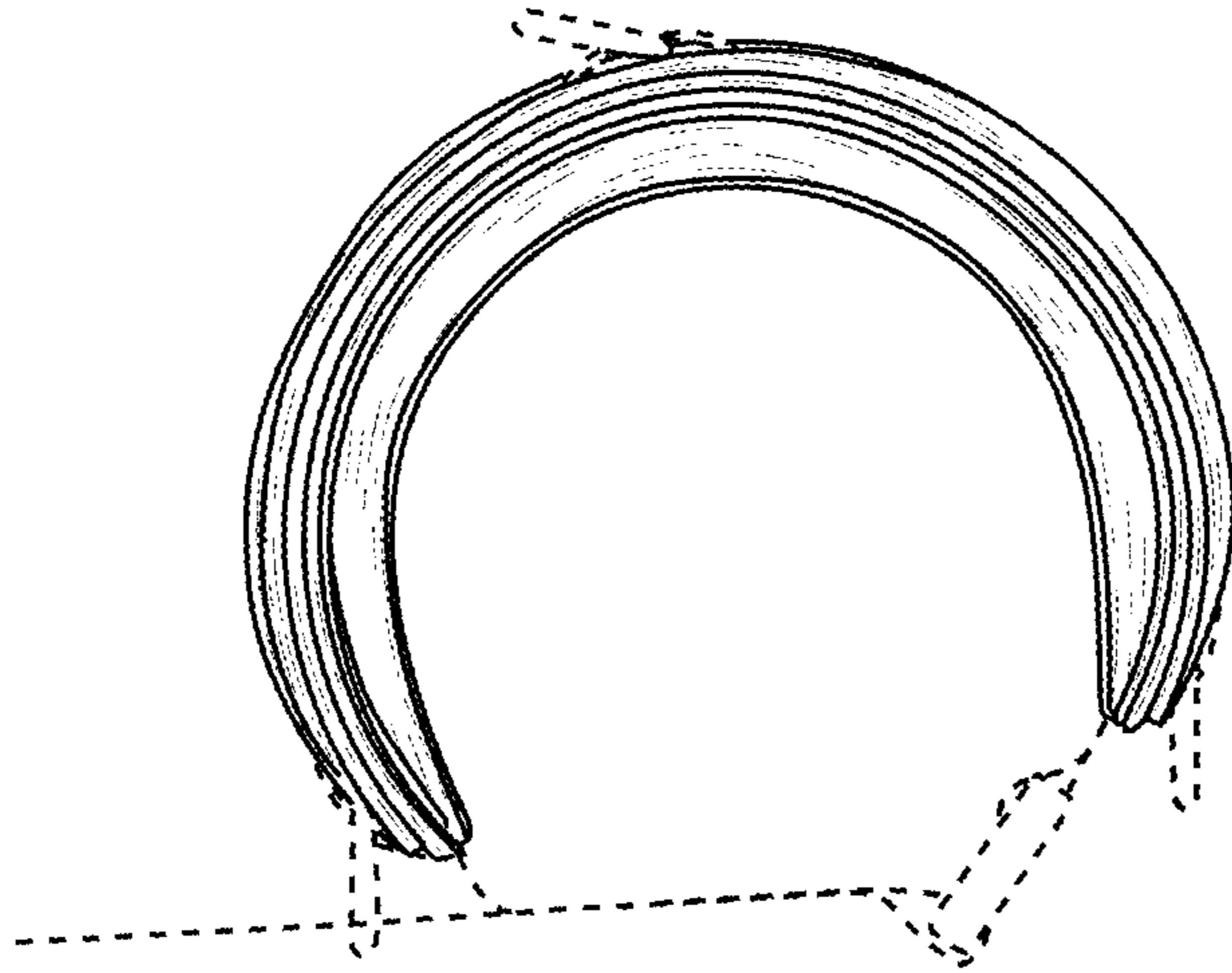


FIG. 8

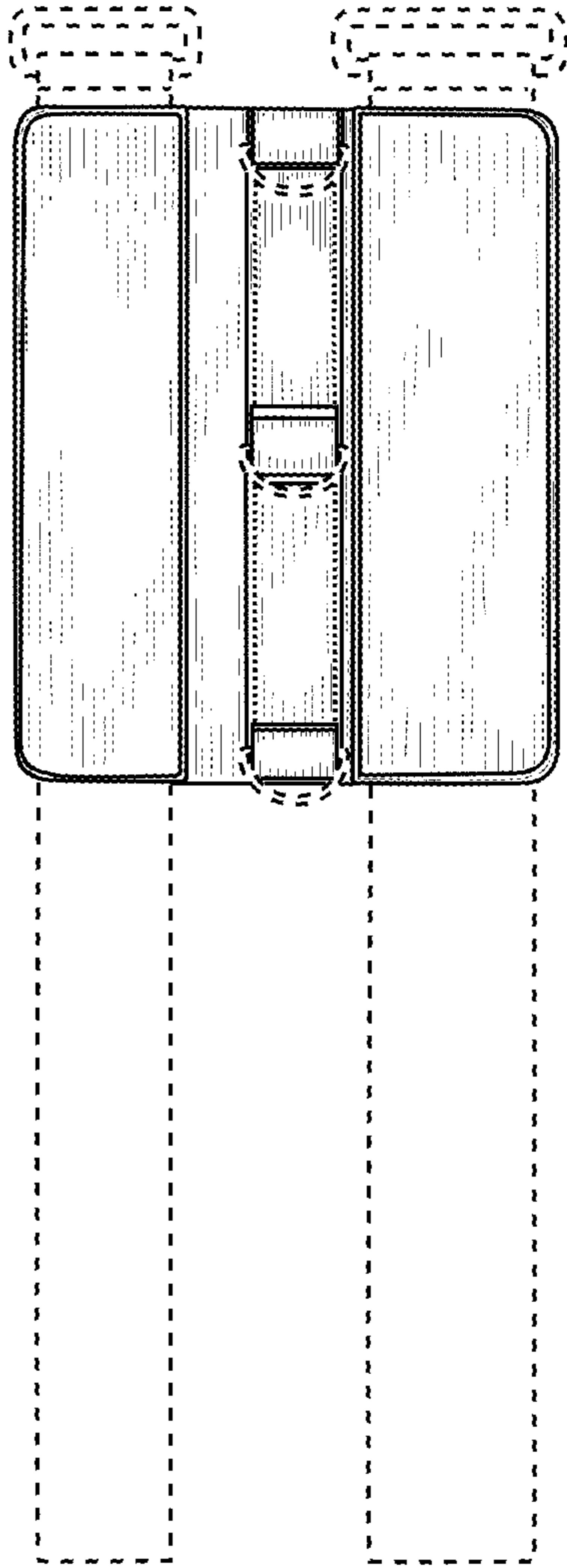


FIG. 9

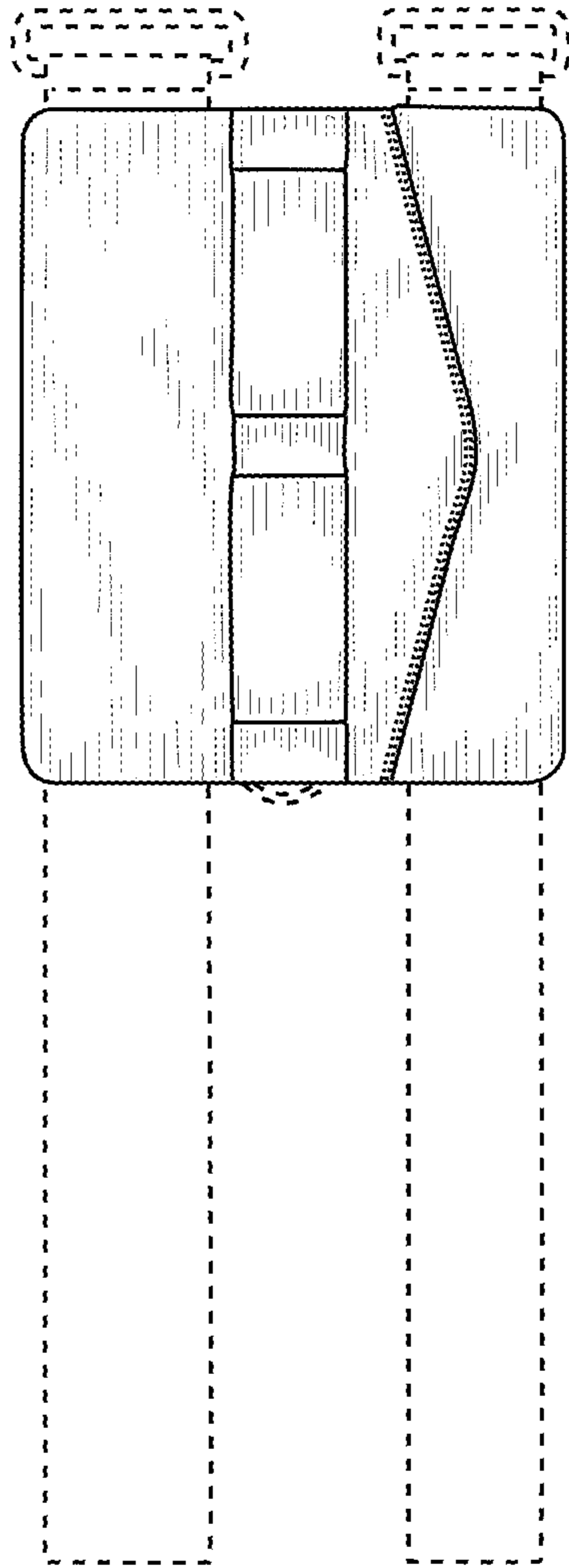


FIG. 10