

US00D897541S

(12) **United States Design Patent**
Borloz et al.

(10) **Patent No.:** **US D897,541 S**

(45) **Date of Patent:** **** Sep. 29, 2020**

(54) **SUPPORT ARM WITH AN EXTENSION**

(71) Applicant: **GCX Corporation**, Petaluma, CA (US)

(72) Inventors: **Paul Rene Borloz**, Petaluma, CA (US);
Joshua Kawarii Littlefield, Santa Rosa, CA (US); **Cristian J. Daugbjerg**, Novato, CA (US); **Robert Peter Glaser**, Corte Madera, CA (US); **Frankie Vazquez**, San Francisco, CA (US); **Elvin Chu**, San Francisco, CA (US)

(73) Assignee: **GCX Corporation**, Petaluma, CA (US)

(**) Term: **15 Years**

(21) Appl. No.: **29/639,476**

(22) Filed: **Mar. 6, 2018**

(51) **LOC (12) Cl.** **24-02**

(52) **U.S. Cl.**
USPC **D24/184**

(58) **Field of Classification Search**
USPC D24/107, 158, 159, 171, 184–186, 188,
D24/199, 200, 232; D16/238–250;
D15/199; D14/447–452

(Continued)

(56) **References Cited**

U.S. PATENT DOCUMENTS

5,538,214 A * 7/1996 Sinila A61B 5/04004
248/278.1

D435,107 S * 12/2000 Blair D24/186
(Continued)

OTHER PUBLICATIONS

Wall-mounted monitor support arm / medical / articulated. Online, published date unknown. Retrieved on May 27, 2019 from URL: <http://www.medicalexpo.com/prod/compuaddy/product-81954-754351.html>.*

(Continued)

Primary Examiner — Susan Bennett Hattan

Assistant Examiner — Omeed Agilee

(74) *Attorney, Agent, or Firm* — Perkins Coie LLP;
Michael Glenn

(57) **CLAIM**

The ornamental design for a support arm with an extension, as shown and described herein.

DESCRIPTION

FIG. 1 is a front perspective view of a support arm with an extension, in a lower position.

FIG. 2 is a rear perspective view thereof.

FIG. 3 is a top view thereof.

FIG. 4 is a right side view thereof.

FIG. 5 is a front view thereof.

FIG. 6 is a left side view thereof.

FIG. 7 is a bottom view thereof.

FIG. 8 is a front perspective view of the support arm with an extension, in a horizontal position.

FIG. 9 is a rear perspective view thereof.

FIG. 10 is a top view thereof.

FIG. 11 is a right side view thereof.

FIG. 12 is a front view thereof.

FIG. 13 is a left side view thereof.

FIG. 14 is a bottom view thereof.

FIG. 15 is a front perspective view of the support arm with an extension, in an upper position.

FIG. 16 is a rear perspective view thereof.

FIG. 17 is a top view thereof.

FIG. 18 is a right side view thereof.

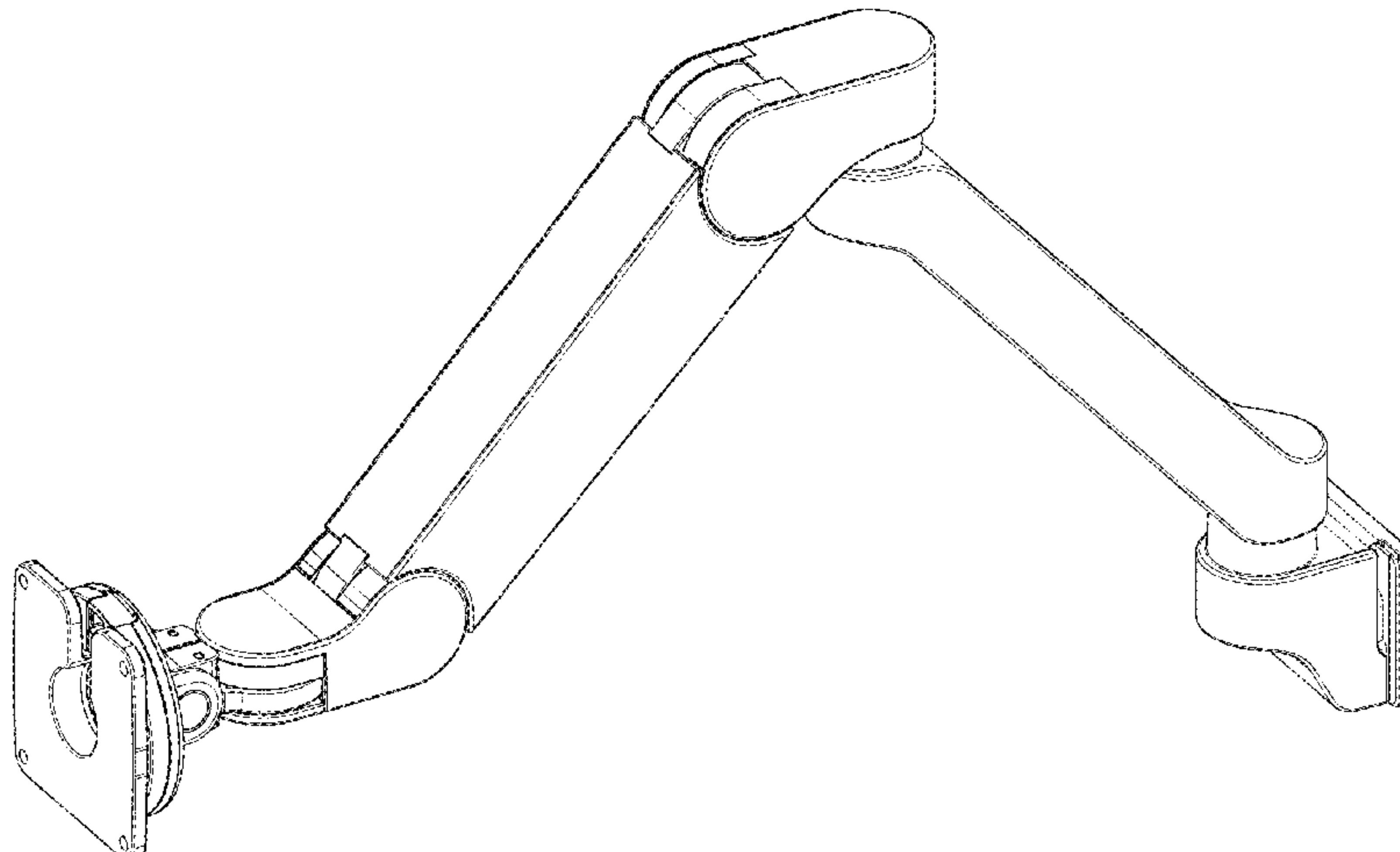
FIG. 19 is a front view thereof.

FIG. 20 is a left side view thereof; and,

FIG. 21 is a bottom view thereof.

The broken lines in the drawings depict portions of the support arm with an extension and form no part of the claimed design.

1 Claim, 21 Drawing Sheets



(58) **Field of Classification Search**

CPC A61H 1/0274; F16M 11/2092

See application file for complete search history.

(56) **References Cited**

U.S. PATENT DOCUMENTS

| | | | | | | |
|--------------|----|---|---------|----------|-------|----------------------|
| D685,478 | S | * | 7/2013 | Lomas | | D24/158 |
| D685,479 | S | * | 7/2013 | Charles | | D24/158 |
| D690,421 | S | * | 9/2013 | Charles | | D24/158 |
| D754,227 | S | * | 4/2016 | Parrot | | D15/140 |
| D785,074 | S | * | 4/2017 | Woodman | | D16/243 |
| D785,183 | S | * | 4/2017 | Ogura | | D24/158 |
| D803,932 | S | * | 11/2017 | Martin | | D16/243 |
| D825,066 | S | * | 8/2018 | Liu | | D24/184 |
| D841,712 | S | * | 2/2019 | Hontani | | D15/199 |
| D847,823 | S | * | 5/2019 | Monsalve | | D14/452 |
| D848,444 | S | * | 5/2019 | Jung | | D14/452 |
| 2012/0039445 | A1 | * | 2/2012 | Kantor | | A61B 6/06 378/147 |

OTHER PUBLICATIONS

VHM-T | Variable Height Arm for Tablets. Online, published date unknown. Retrieved on May 27, 2019 from URL: <https://www.gcx.com/products/series/vhm-series/vhm-t>.*

* cited by examiner

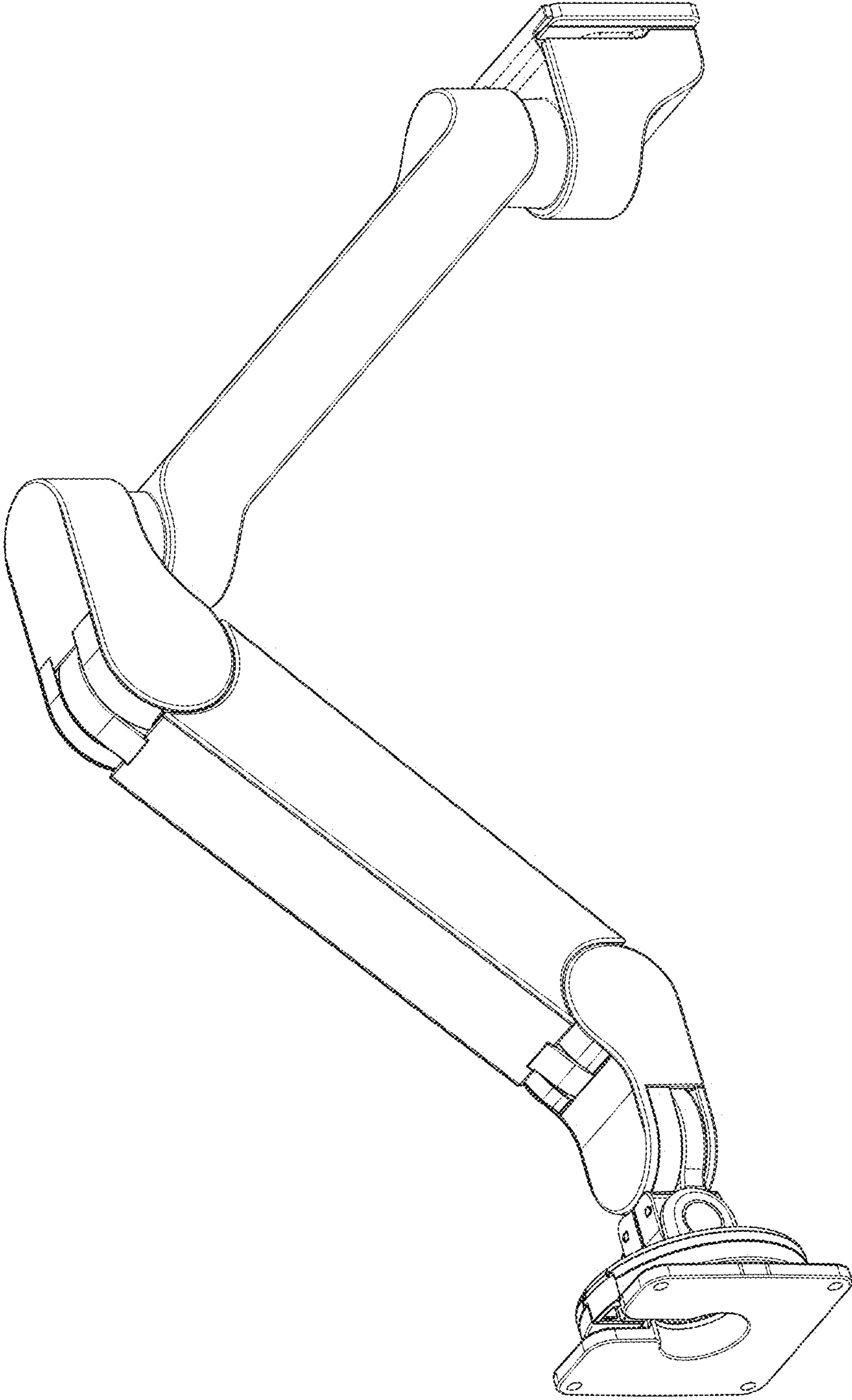


Fig. 1

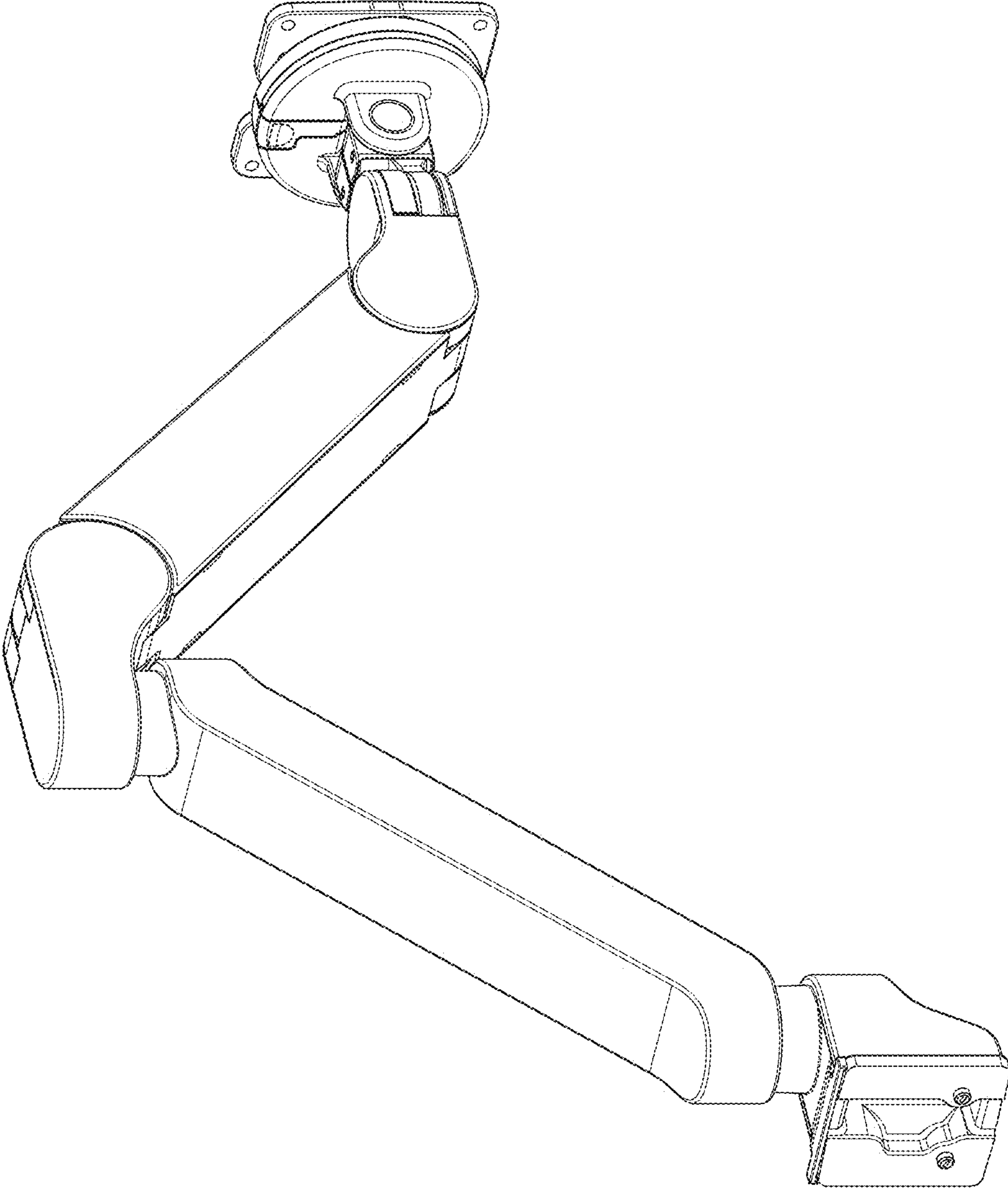


Fig. 2

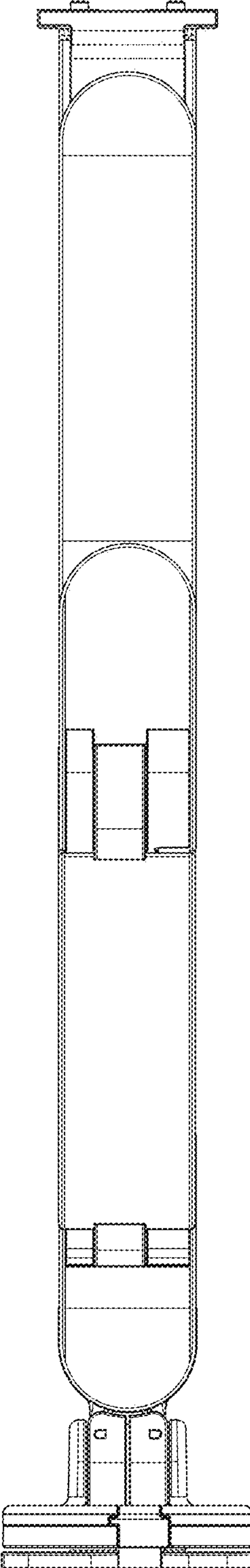


Fig. 3

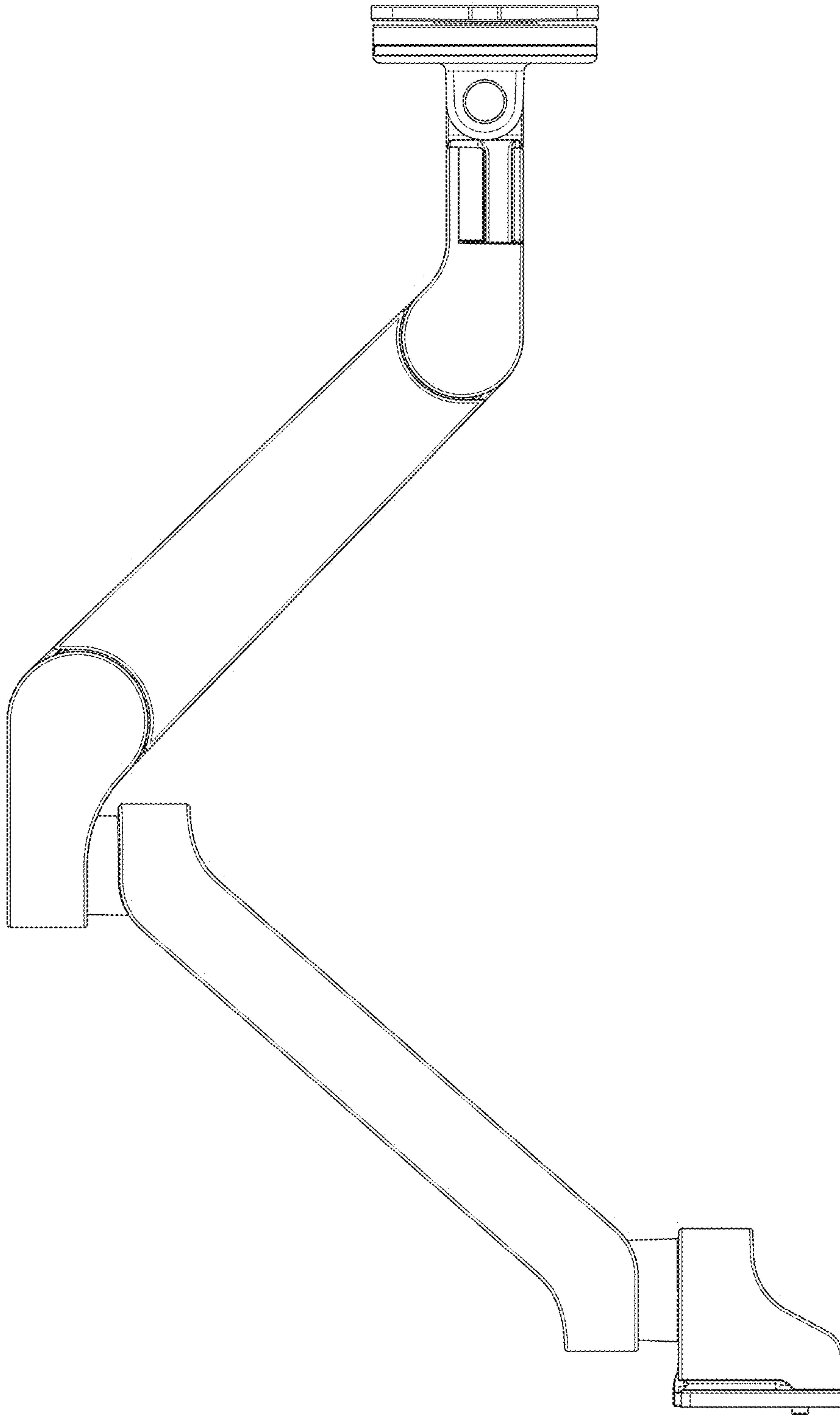


Fig. 4

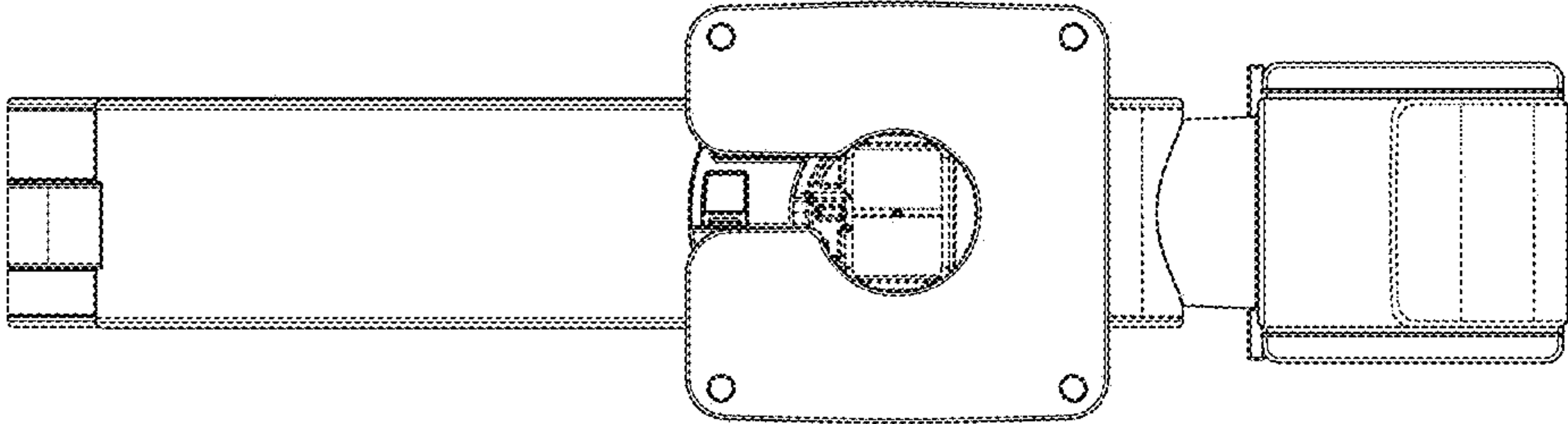


Fig. 5

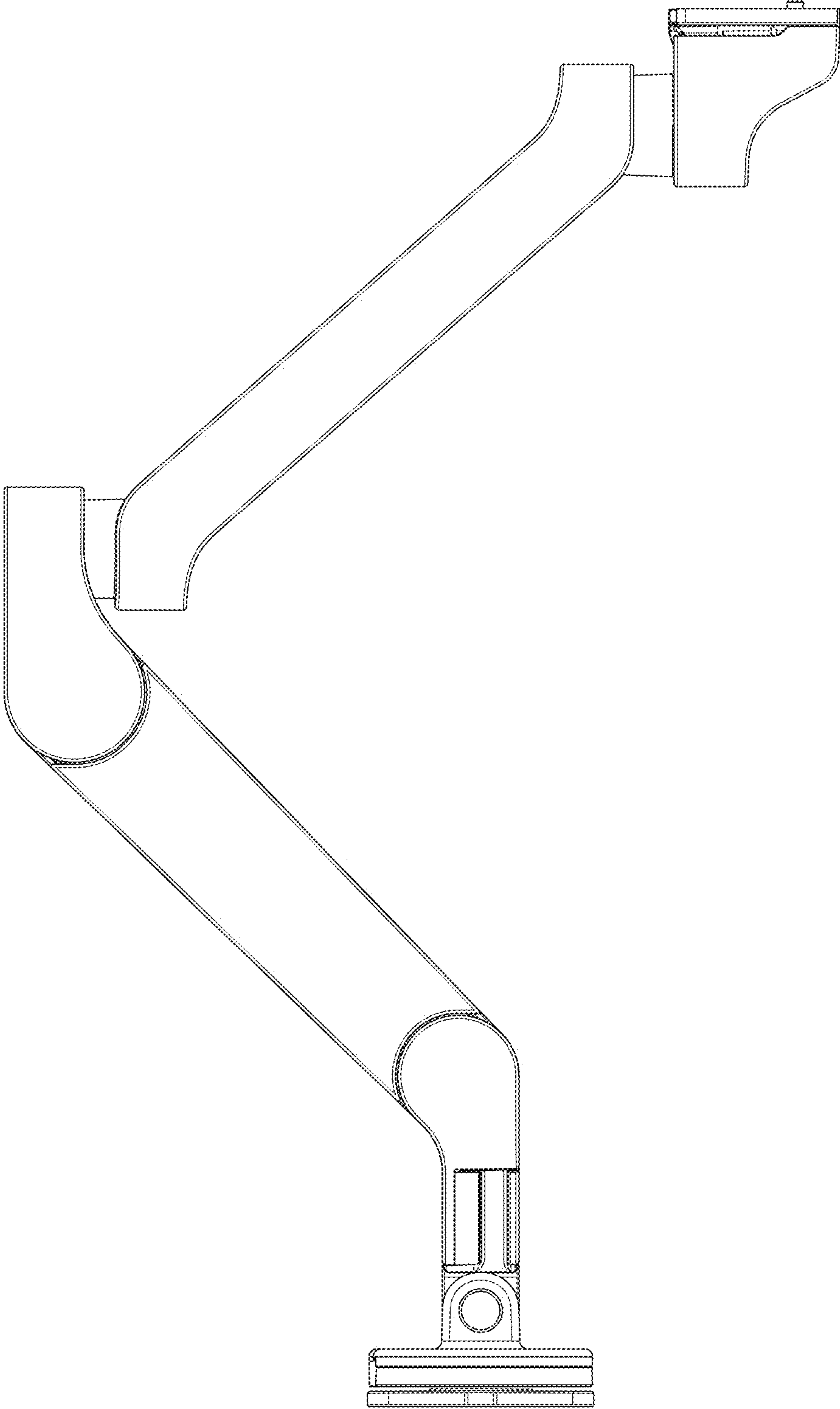


Fig. 6

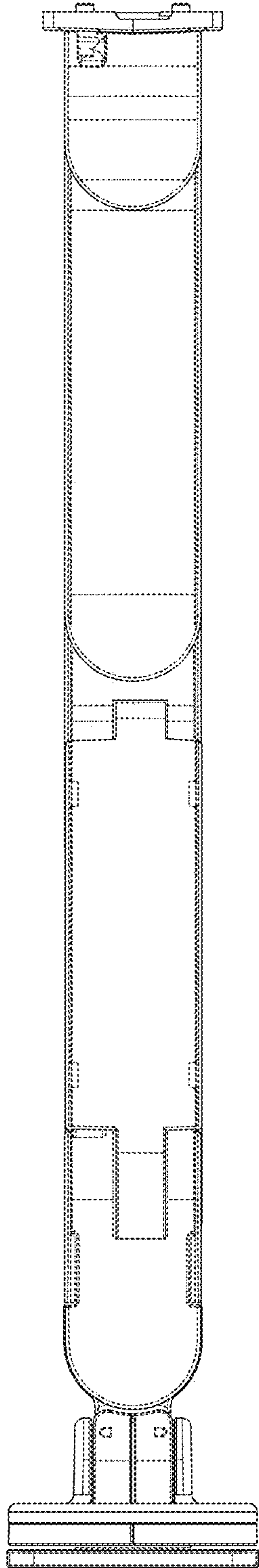


Fig. 7

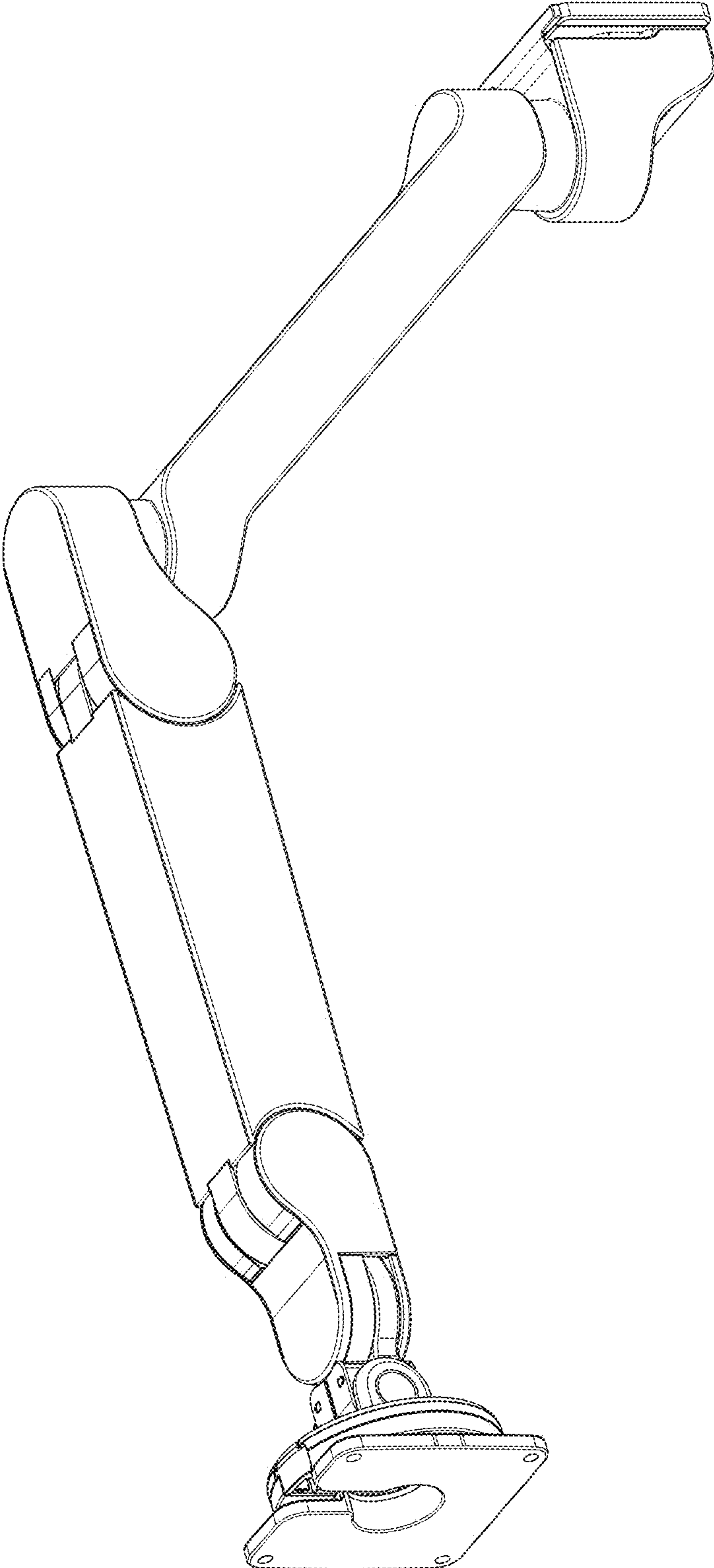


Fig. 8

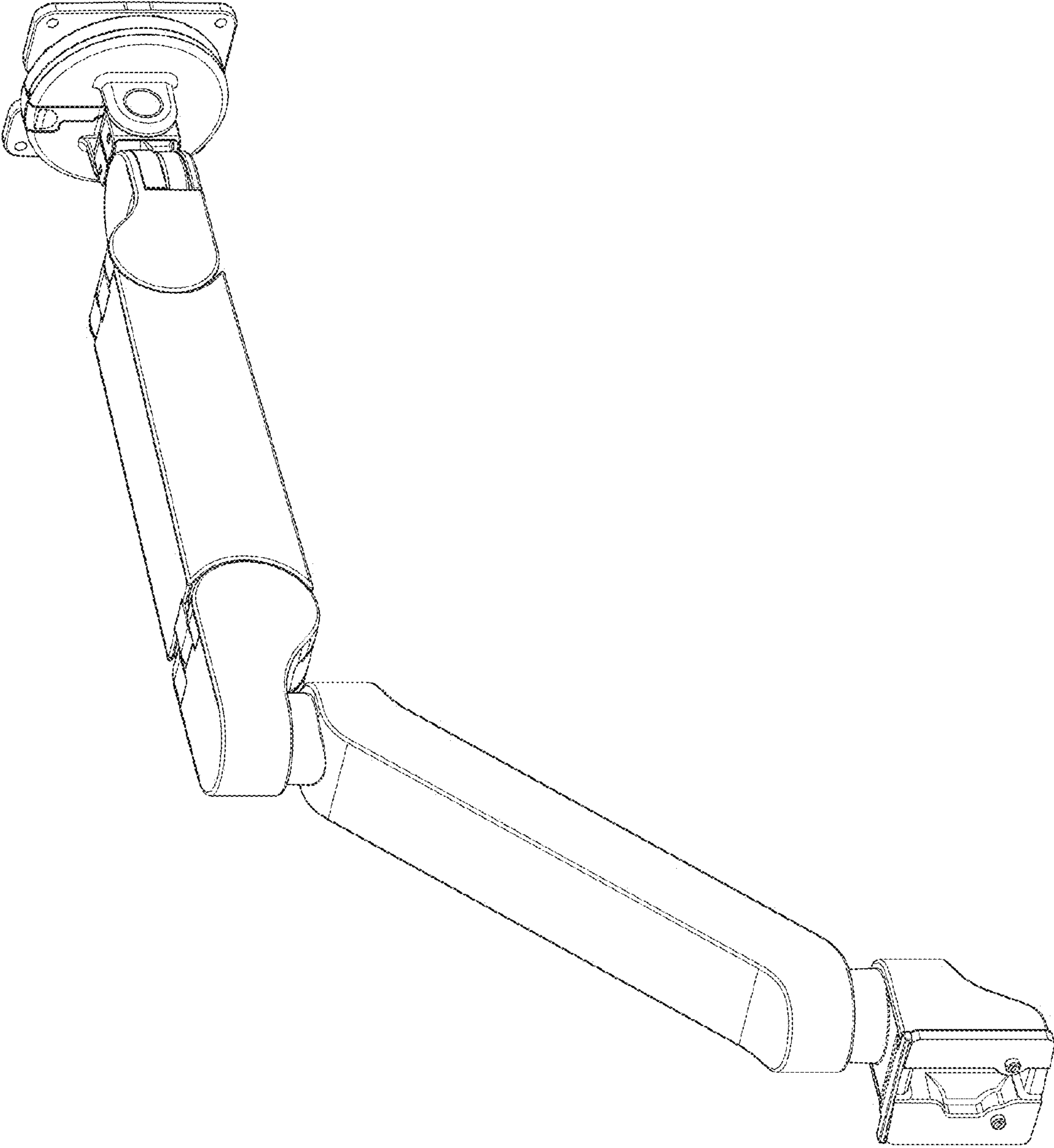


Fig. 9

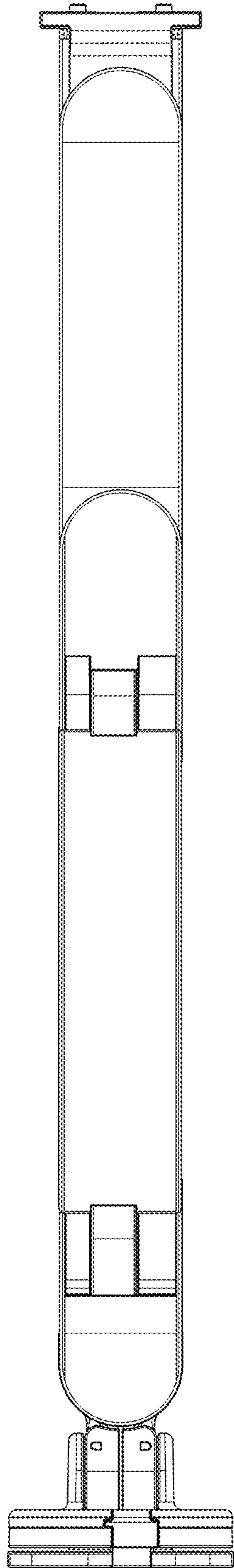


Fig. 10

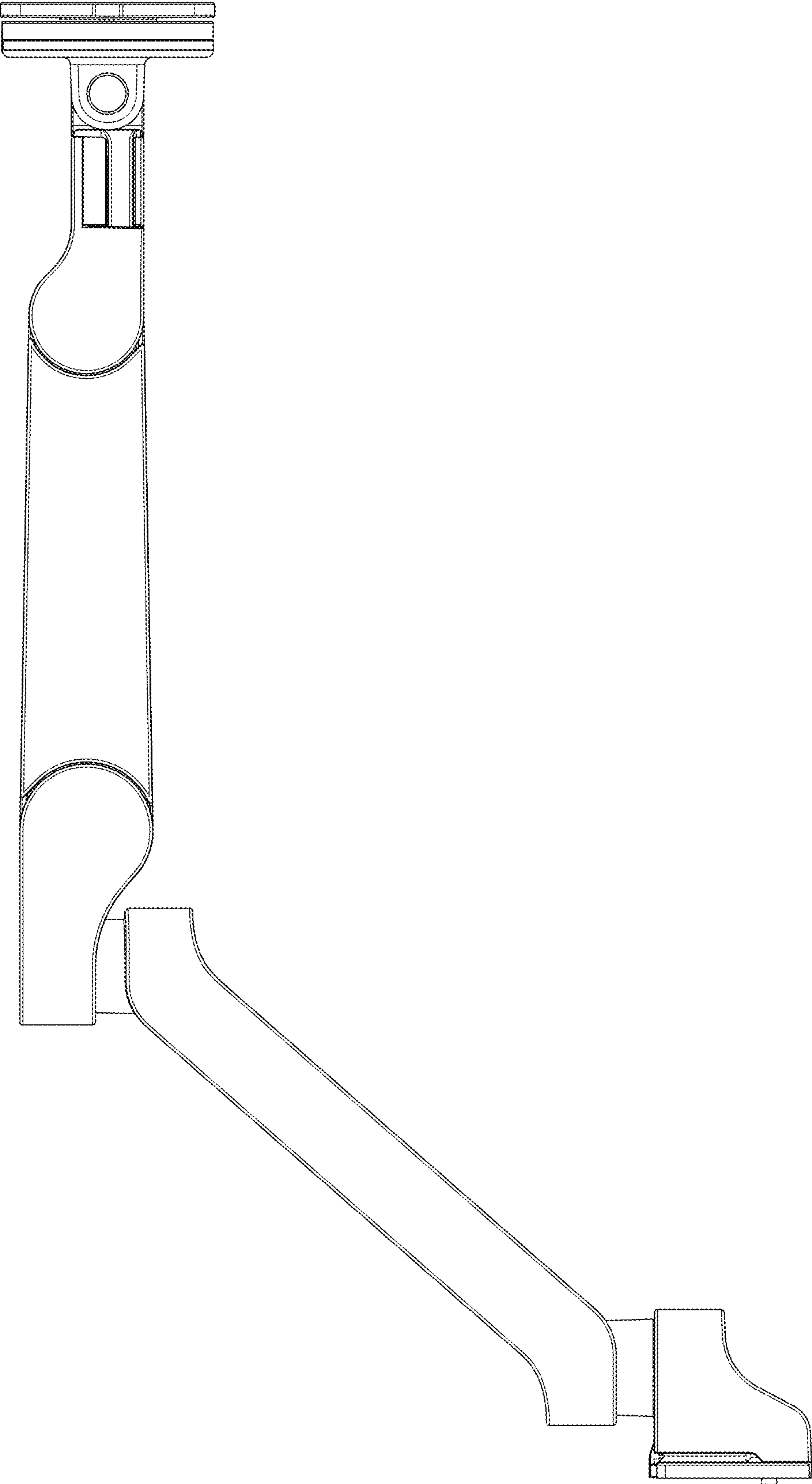


Fig. 11

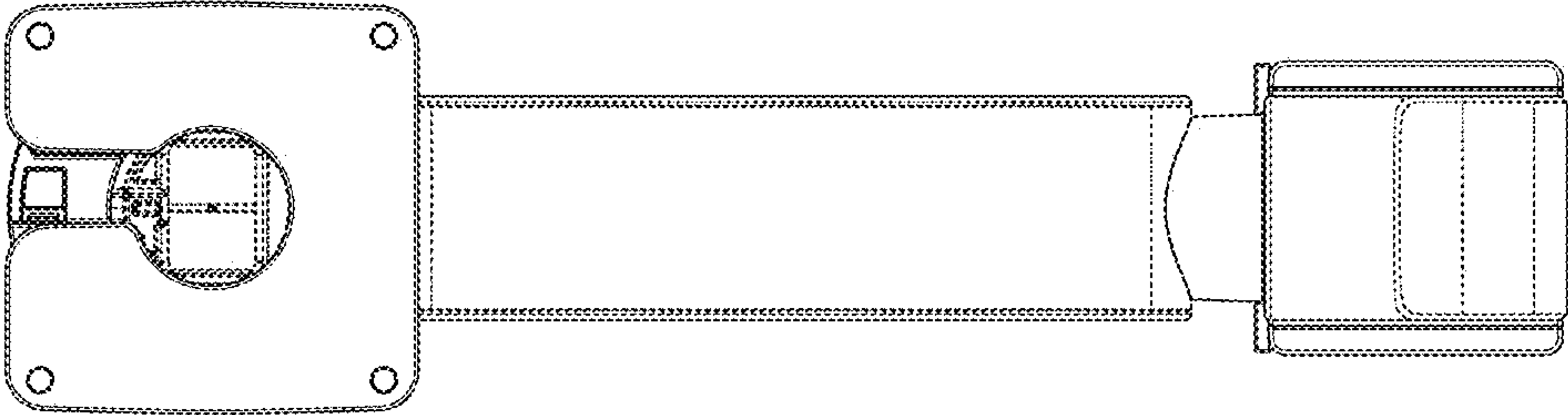


Fig. 12

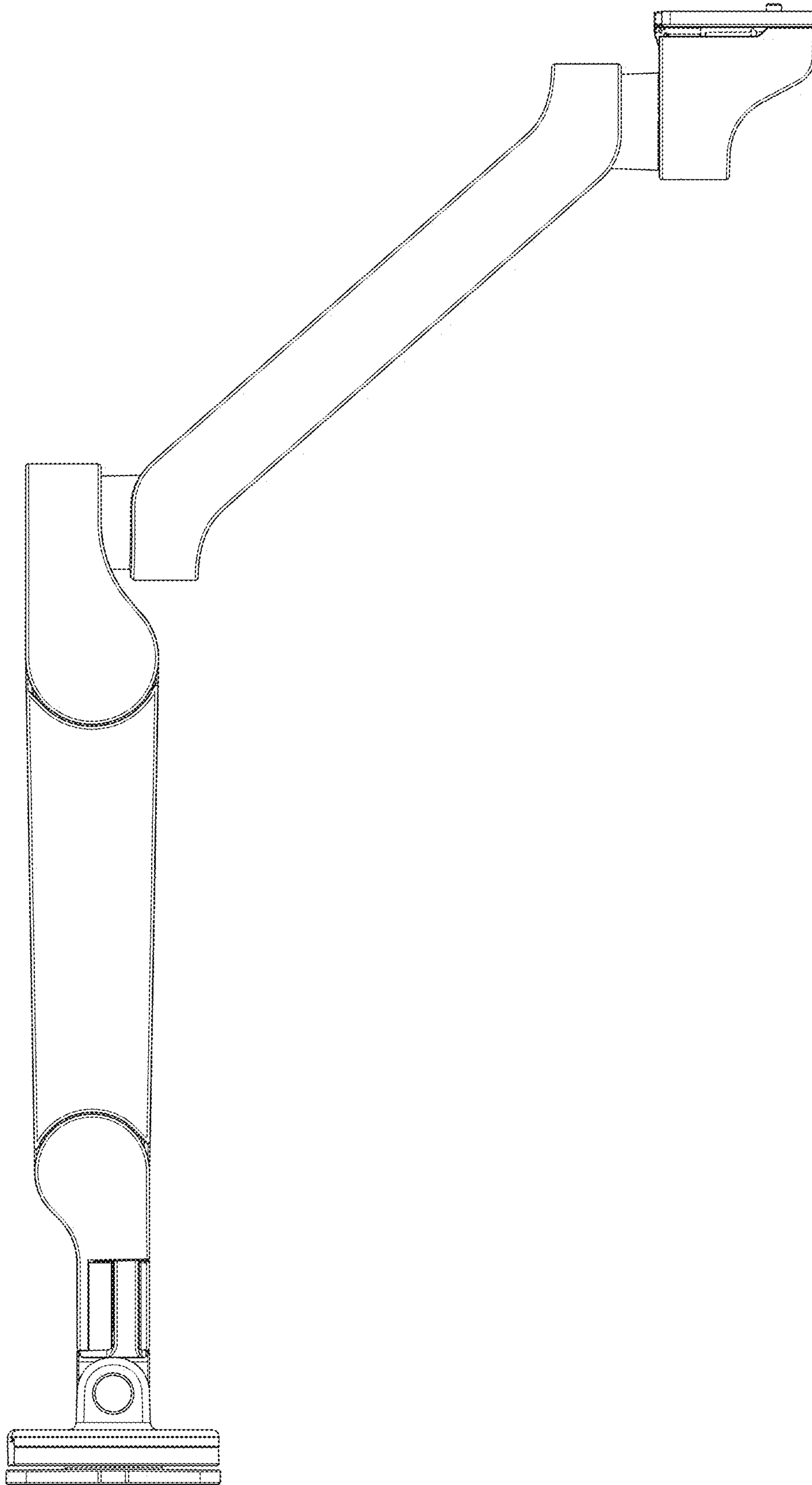


Fig. 13

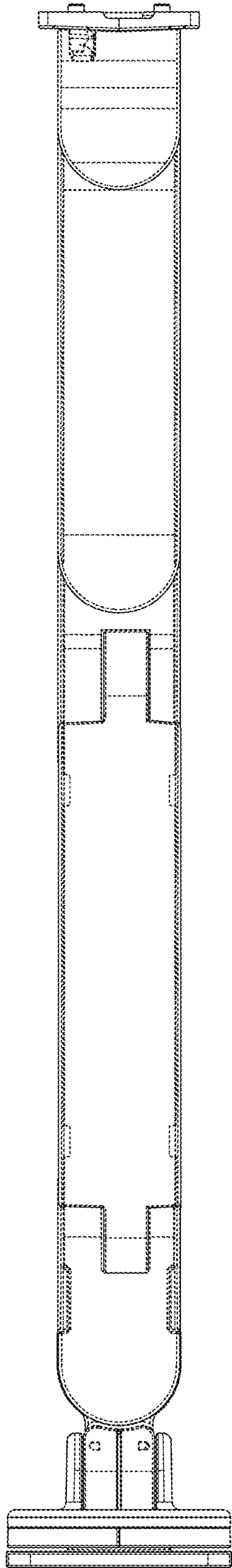


Fig. 14

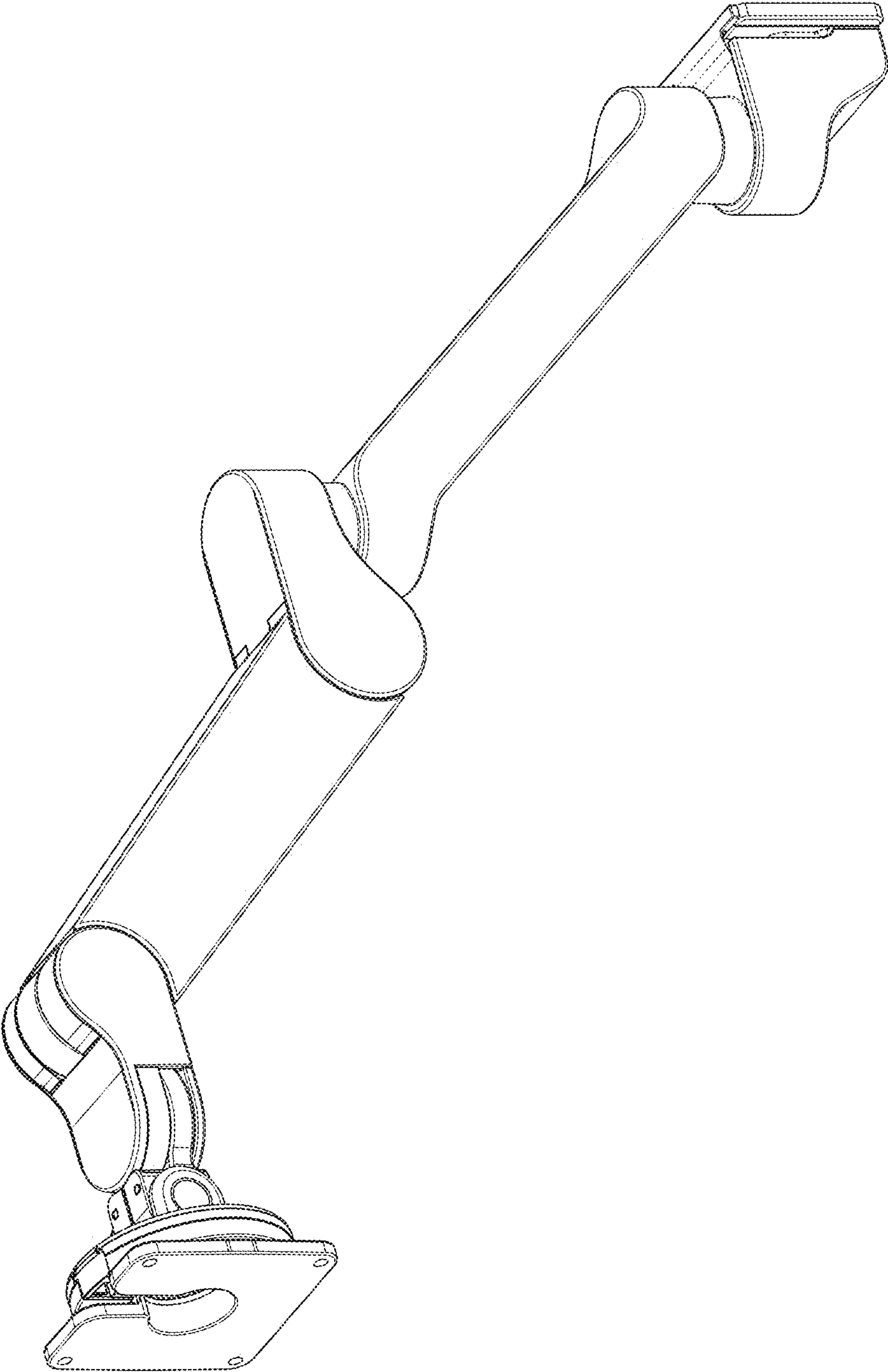


Fig. 15

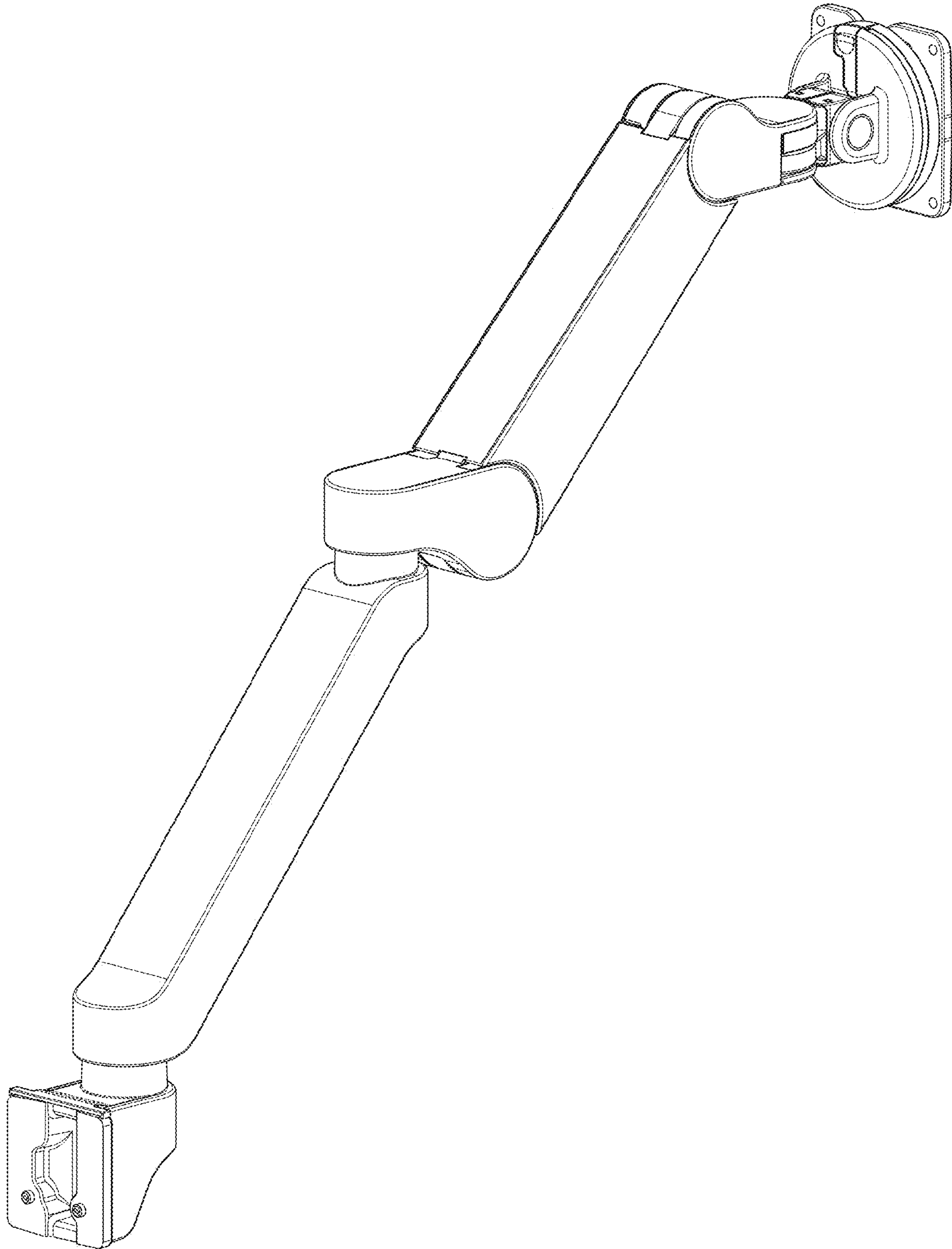


Fig. 16

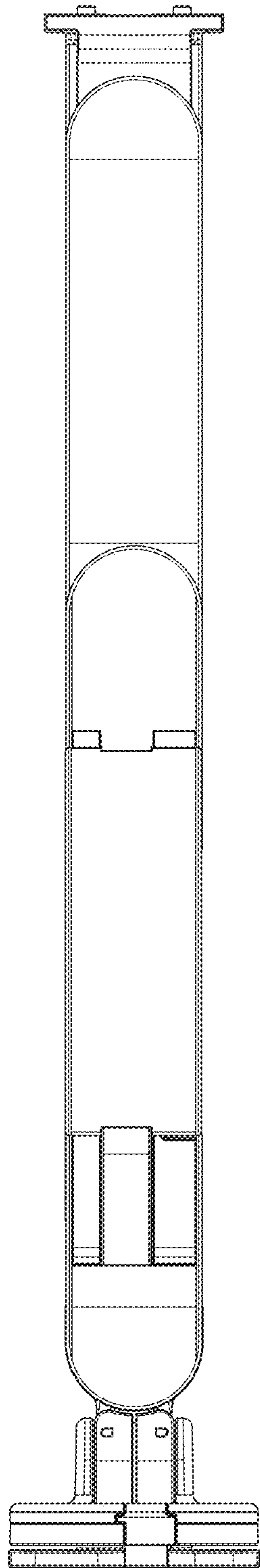


Fig. 17

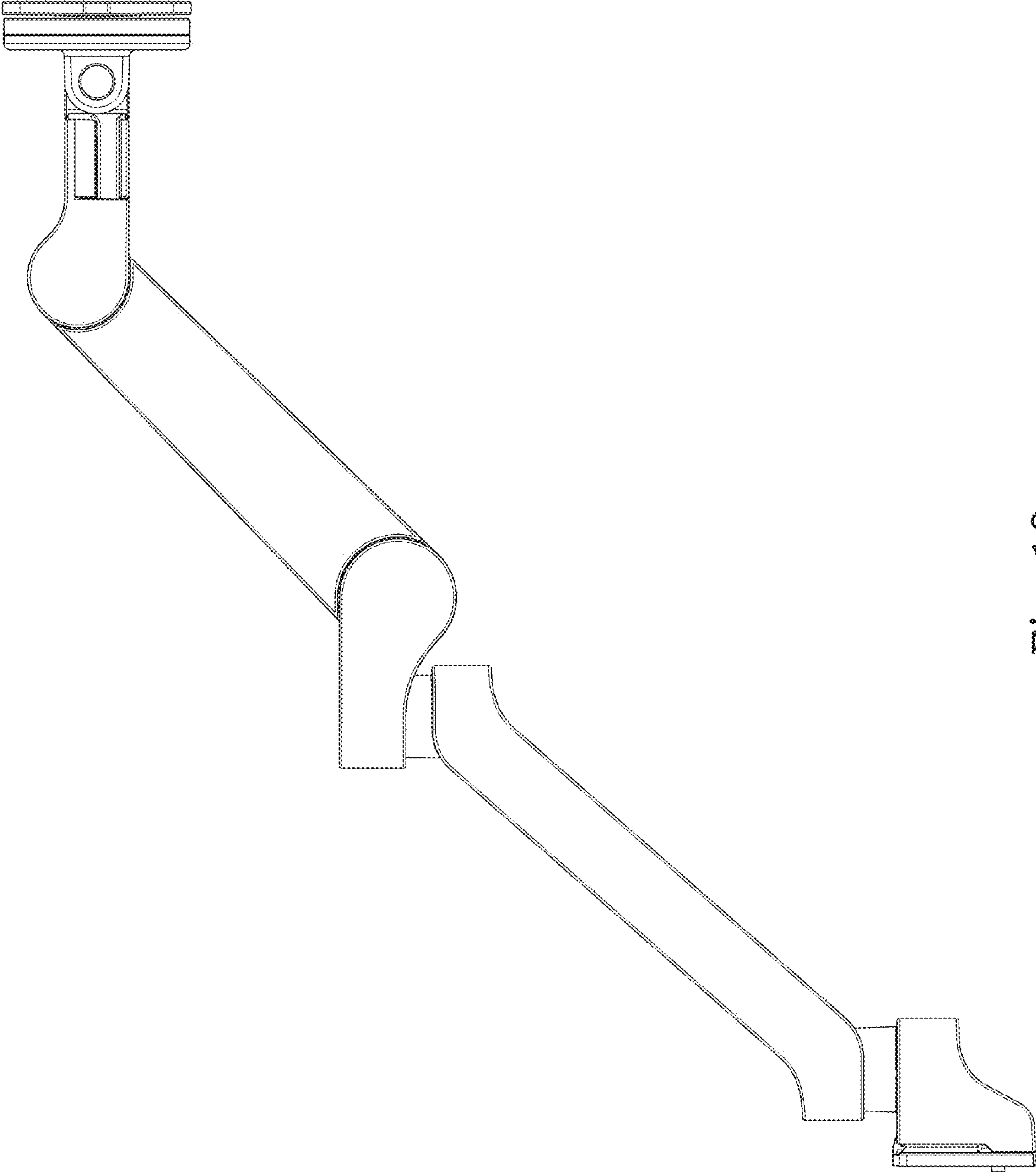


Fig. 18

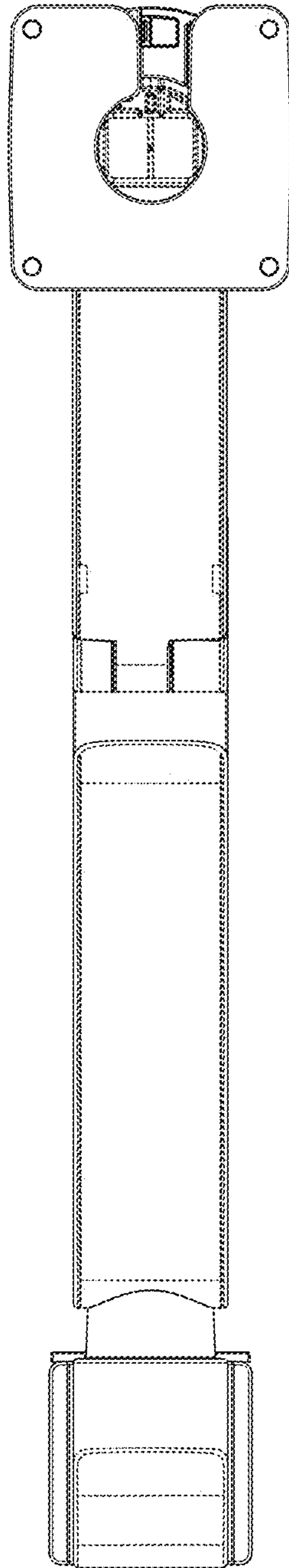


Fig. 19

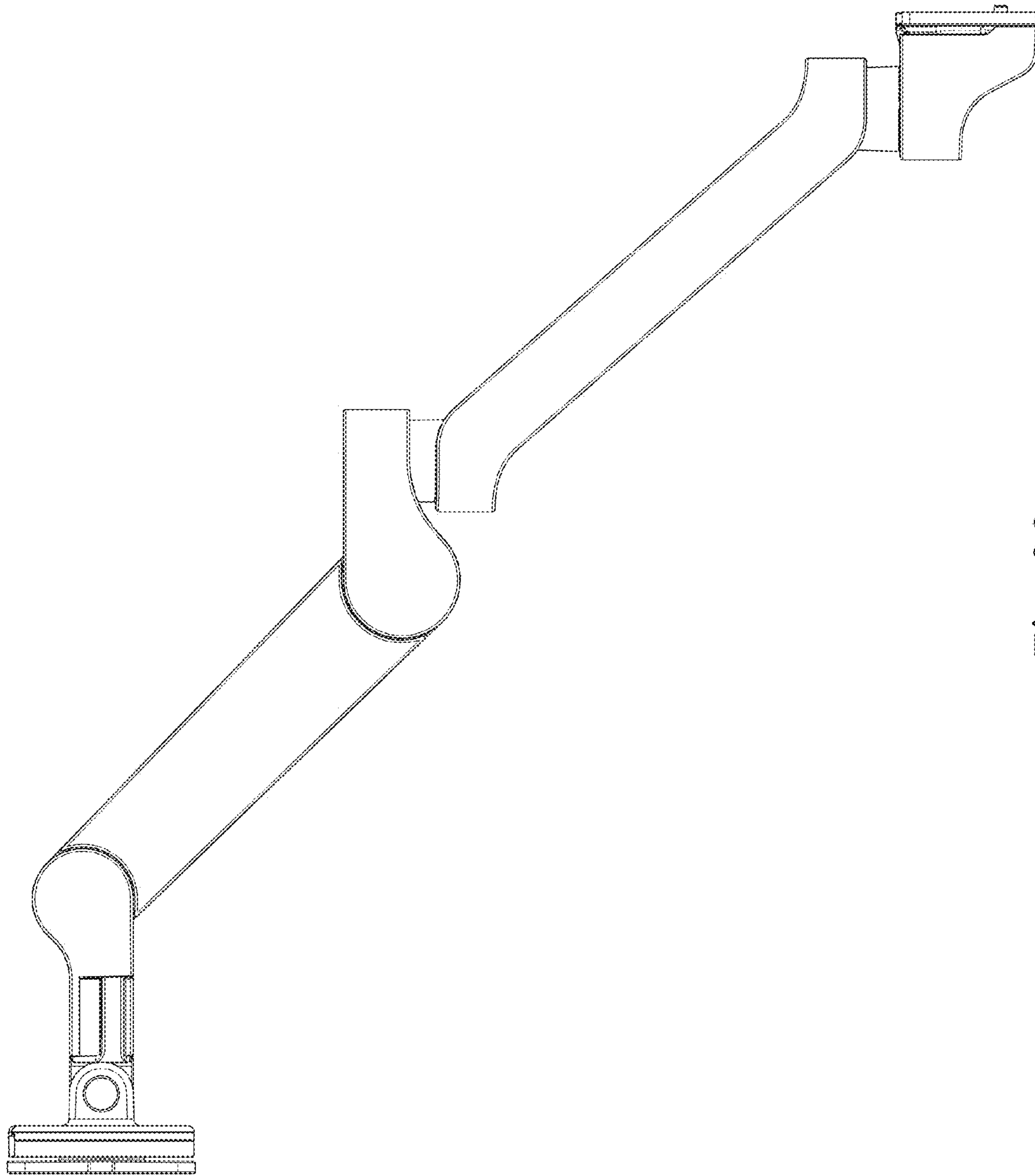


Fig. 20

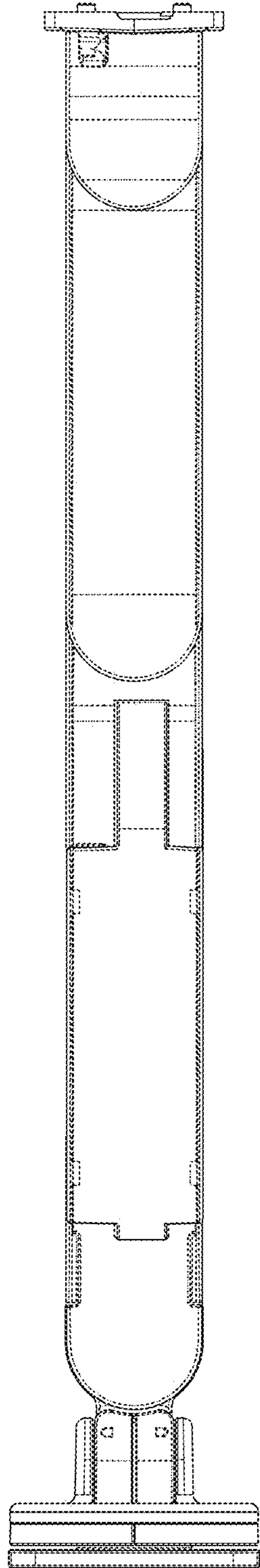


Fig. 21