



US00D897540S

(12) **United States Design Patent**  
**Roth**

(10) **Patent No.:** **US D897,540 S**

(45) **Date of Patent:** **\*\* Sep. 29, 2020**

(54) **PATIENT TABLE**

(71) Applicant: **Siemens Healthcare GmbH**, Erlangen (DE)

(72) Inventor: **Nadja Roth**, Bamberg (DE)

(73) Assignee: **Siemens Healthcare GmbH**, Erlangen (DE)

(\*\*) Term: **15 Years**

(21) Appl. No.: **29/662,360**

(22) Filed: **Sep. 5, 2018**

(30) **Foreign Application Priority Data**

Mar. 5, 2018 (EM) ..... 004739035

(51) **LOC (12) Cl.** ..... **24-02**

(52) **U.S. Cl.**  
USPC ..... **D24/183**

(58) **Field of Classification Search**  
USPC ..... D24/107, 158-161, 183-184, 200;  
D6/595-596, 601, 604-605, 336-337  
(Continued)

(56) **References Cited**

**U.S. PATENT DOCUMENTS**

D441,868 S \* 5/2001 Rodenas Santiago ..... D24/183  
6,334,708 B1 \* 1/2002 Kosugi ..... A61B 6/0457  
378/197

(Continued)

**FOREIGN PATENT DOCUMENTS**

EM 001388292 10/2013  
JP 0966652 S 10/1996

(Continued)

**OTHER PUBLICATIONS**

Relax+ Endo. Online, published date unknown. Retrieved on Dec. 16, 2019 from URL: <https://www.dornier.com/products-item/relax-endo/>.\*

(Continued)

*Primary Examiner* — Susan Bennett Hattan

*Assistant Examiner* — Omeed Agilee

(74) *Attorney, Agent, or Firm* — Schiff Hardin LLP

(57) **CLAIM**

The ornamental design for a patient table, as shown and described.

**DESCRIPTION**

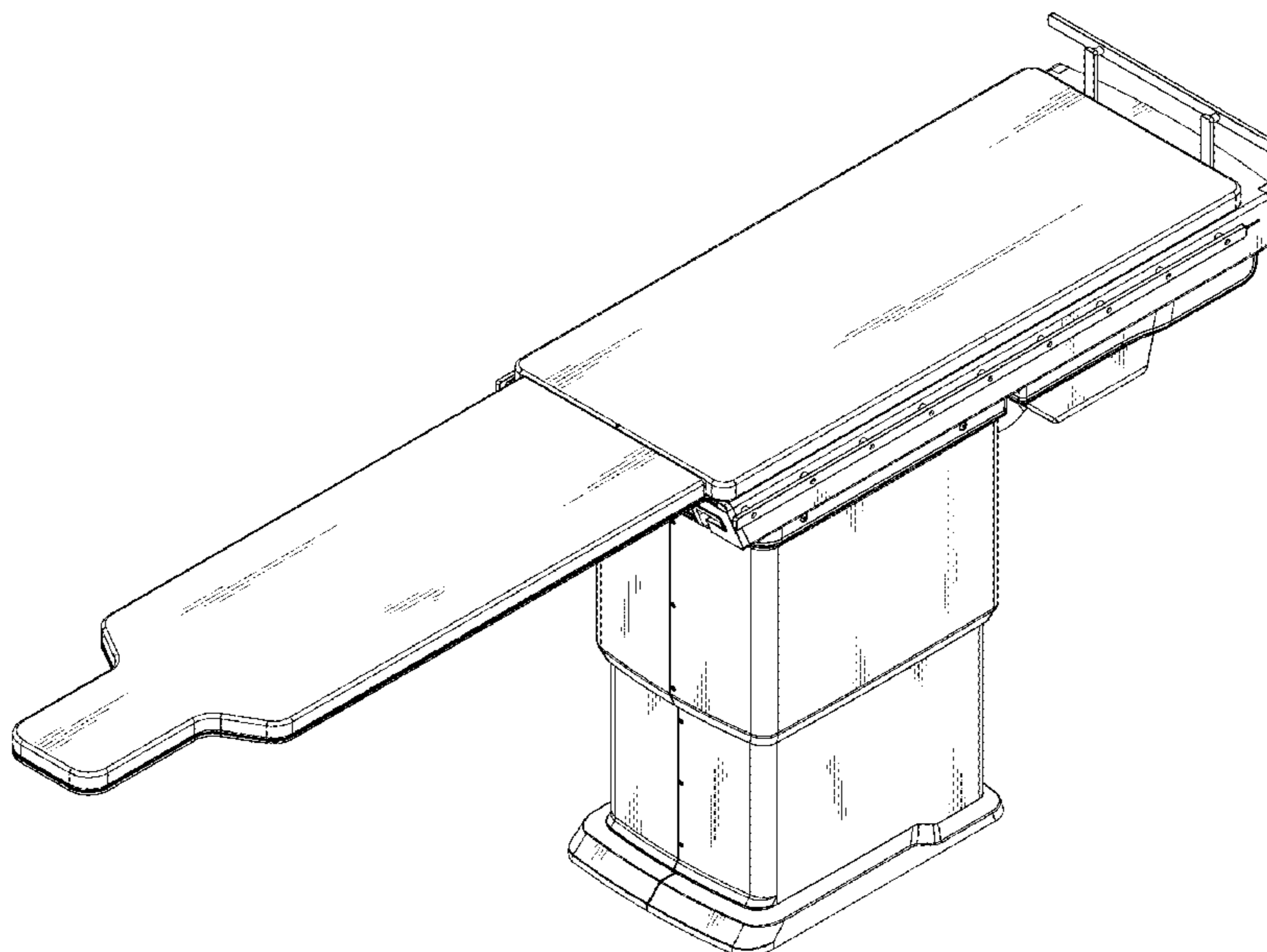
The patent or application file contains at least one drawing executed in color. Copies of this patent or patent application publication with color drawing(s) will be provided by the Office upon request and payment of the necessary fee.

FIG. 1 is a front elevational view of a first embodiment of a patient table showing my new design;  
FIG. 2 is a back elevational view thereof;  
FIG. 3 is a top plan view thereof;  
FIG. 4 is a bottom plan view thereof;  
FIG. 5 is a right side elevational view thereof;  
FIG. 6 is a left side elevational view thereof; and  
FIG. 7 is a perspective view taken generally from the upper, front, right-hand side thereof.

FIG. 8 is a front elevational view of a second embodiment thereof;  
FIG. 9 is a back elevational view thereof;  
FIG. 10 is a top plan view thereof;  
FIG. 11 is a bottom plan view thereof;  
FIG. 12 is a right side elevational view thereof;  
FIG. 13 is a left side elevational view thereof; and,  
FIG. 14 is a perspective view taken generally from the upper, front, right-hand side thereof.

The broken lines in the drawings depict portions of the patient table that form no part of the claimed design.

**1 Claim, 14 Drawing Sheets**  
**(7 of 14 Drawing Sheet(s) Filed in Color)**



(58) **Field of Classification Search**  
CPC ..... A61B 6/04; A61B 6/0407  
See application file for complete search history.

D757,940 S 5/2016 Boegel et al.  
D770,049 S 10/2016 Yanagihara  
D843,583 S 3/2019 Roth  
D844,789 S \* 4/2019 Hetz ..... D24/183  
D865,971 S \* 11/2019 Doerrfuss ..... D24/183  
2009/0144902 A1 \* 6/2009 Baumann ..... A61B 6/0457  
5/608

(56) **References Cited**

U.S. PATENT DOCUMENTS

D462,445 S \* 9/2002 Barde ..... D24/183  
6,505,364 B2 \* 1/2003 Simmons ..... A61G 13/06  
108/150  
7,020,917 B1 4/2006 Kolody et al.  
D527,459 S 8/2006 Gireesh  
D630,330 S \* 1/2011 Baba ..... D24/159  
D726,319 S 4/2015 Sul et al.  
D727,509 S 4/2015 Tan et al.  
D735,864 S 8/2015 Doerre et al.  
D736,934 S 8/2015 Kim  
D743,555 S 11/2015 Hasebe  
D748,804 S 2/2016 Eenboom et al.  
D752,757 S \* 3/2016 Li ..... D24/159

FOREIGN PATENT DOCUMENTS

JP 1123268 S 10/2001  
JP 1591739 S 11/2017

OTHER PUBLICATIONS

Japanese decision to grant dated Jul. 2, 2019, in Application No. 2018-018767.  
Japanese decision to grant dated Jul. 2, 2019, in Application No. 2018-018766.

\* cited by examiner

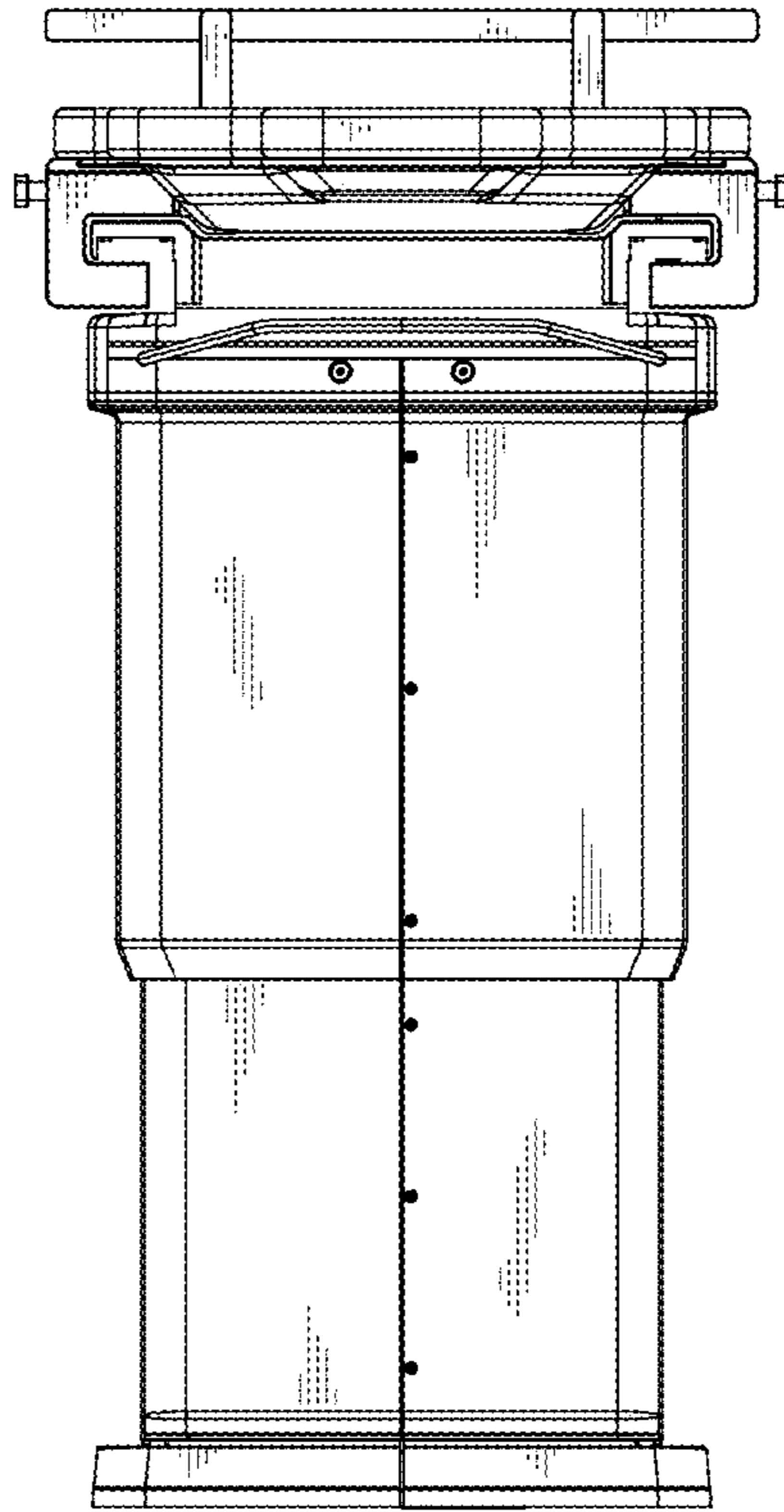


FIG. 1

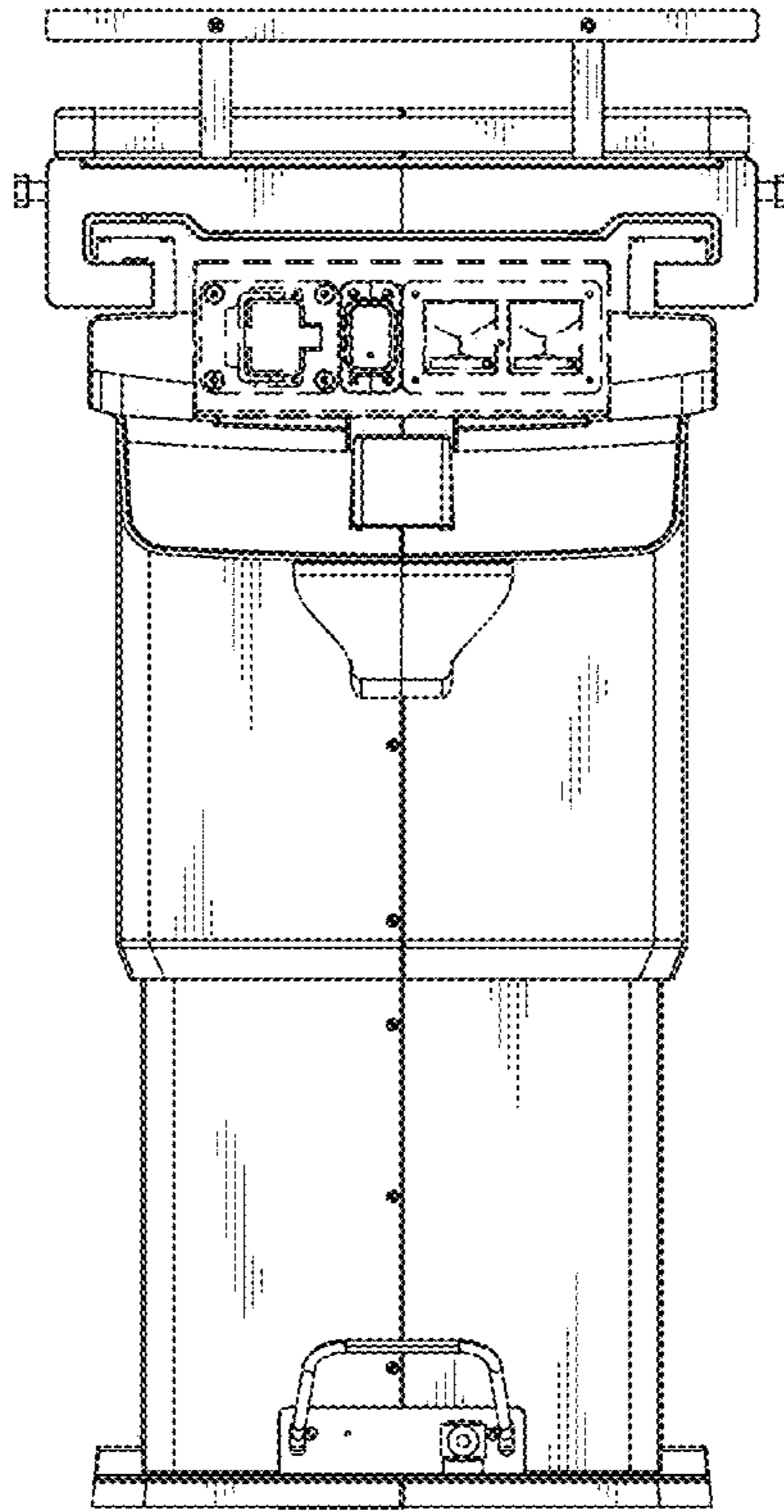


FIG. 2

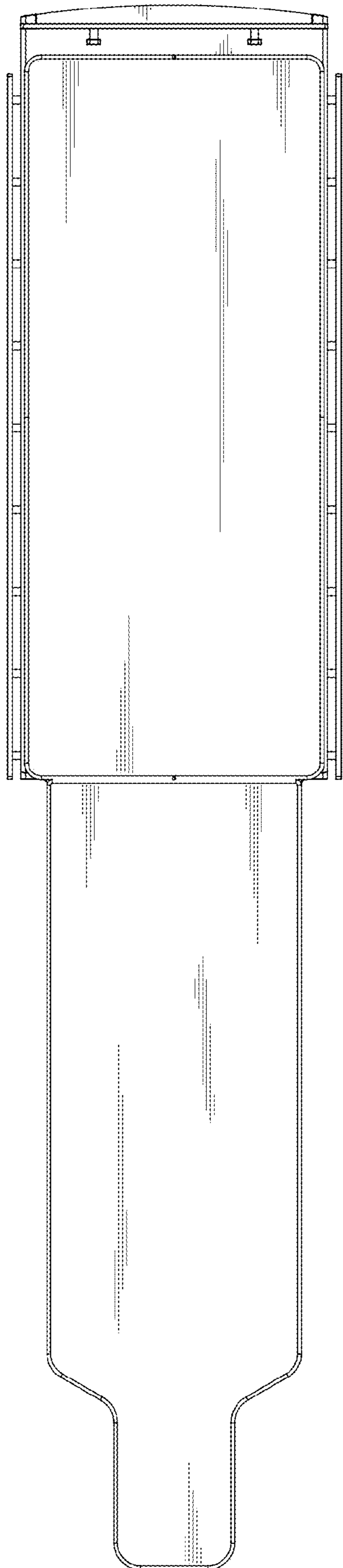


FIG. 3

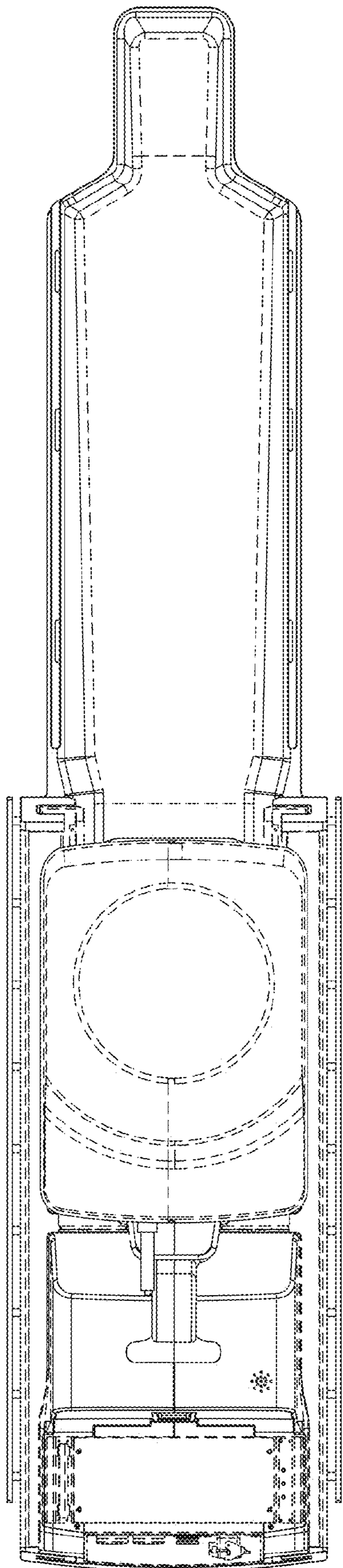


FIG. 4

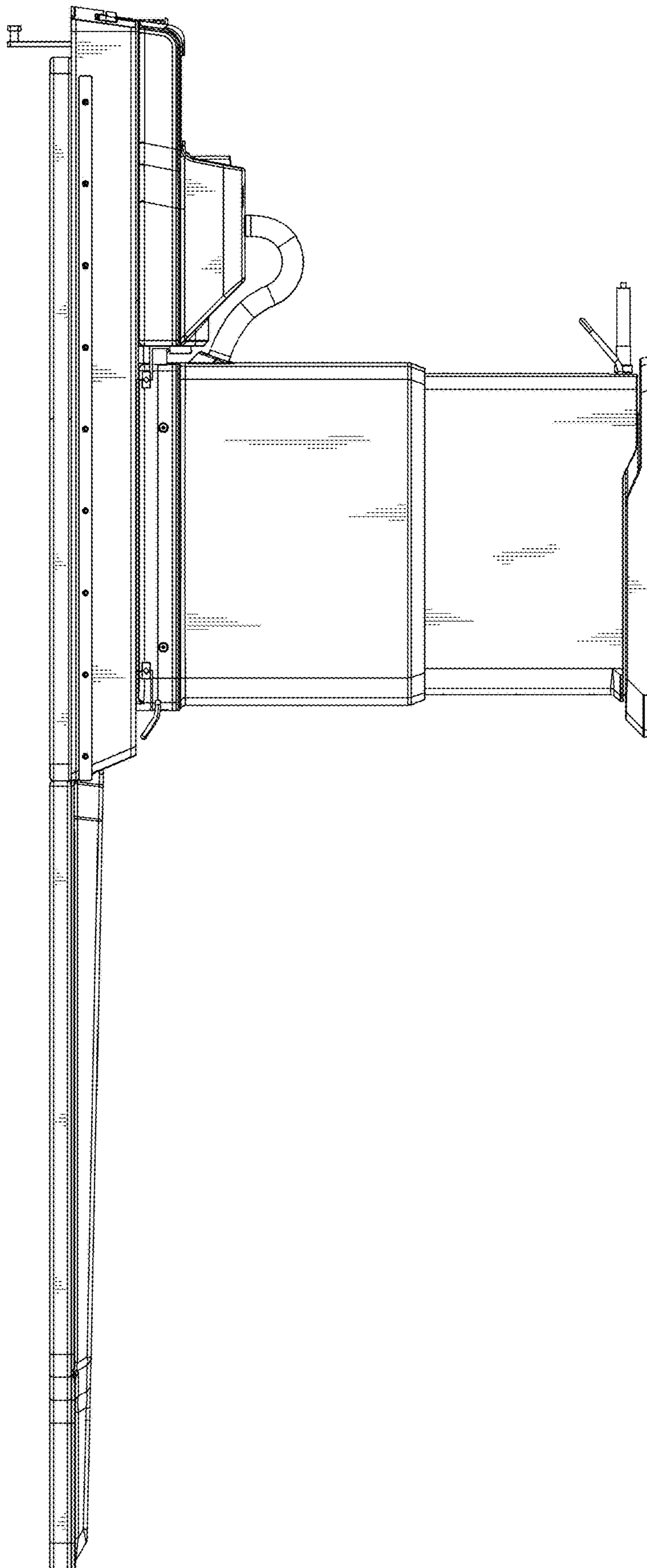


FIG. 5

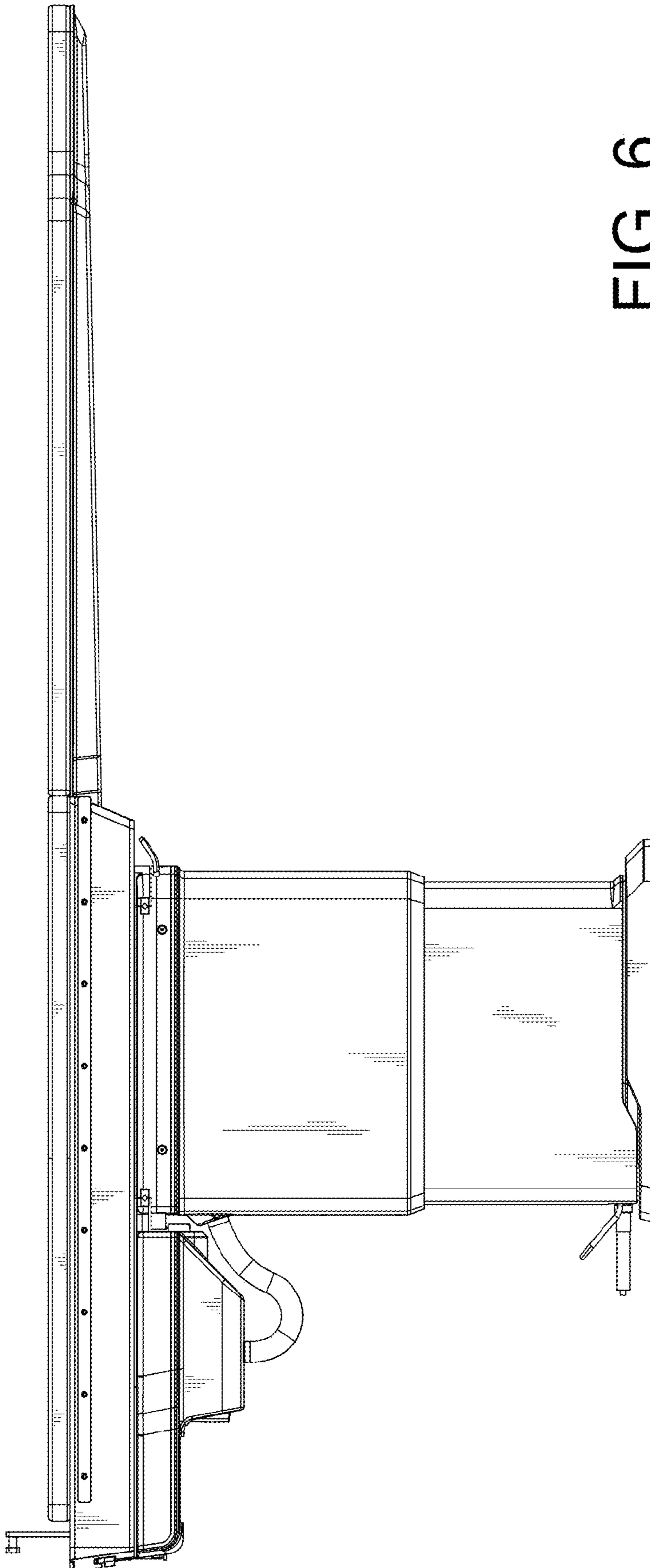


FIG. 6



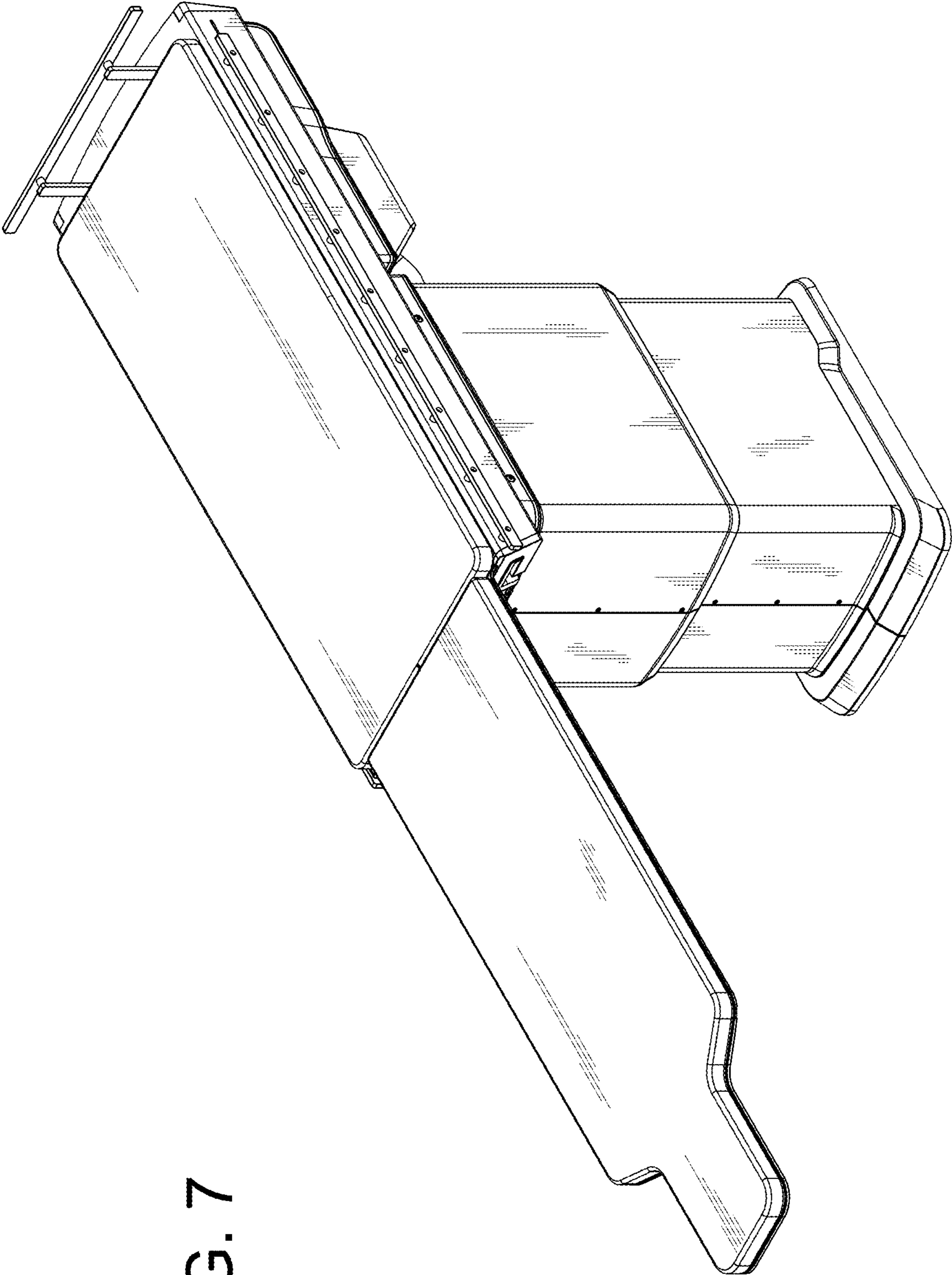


FIG. 7

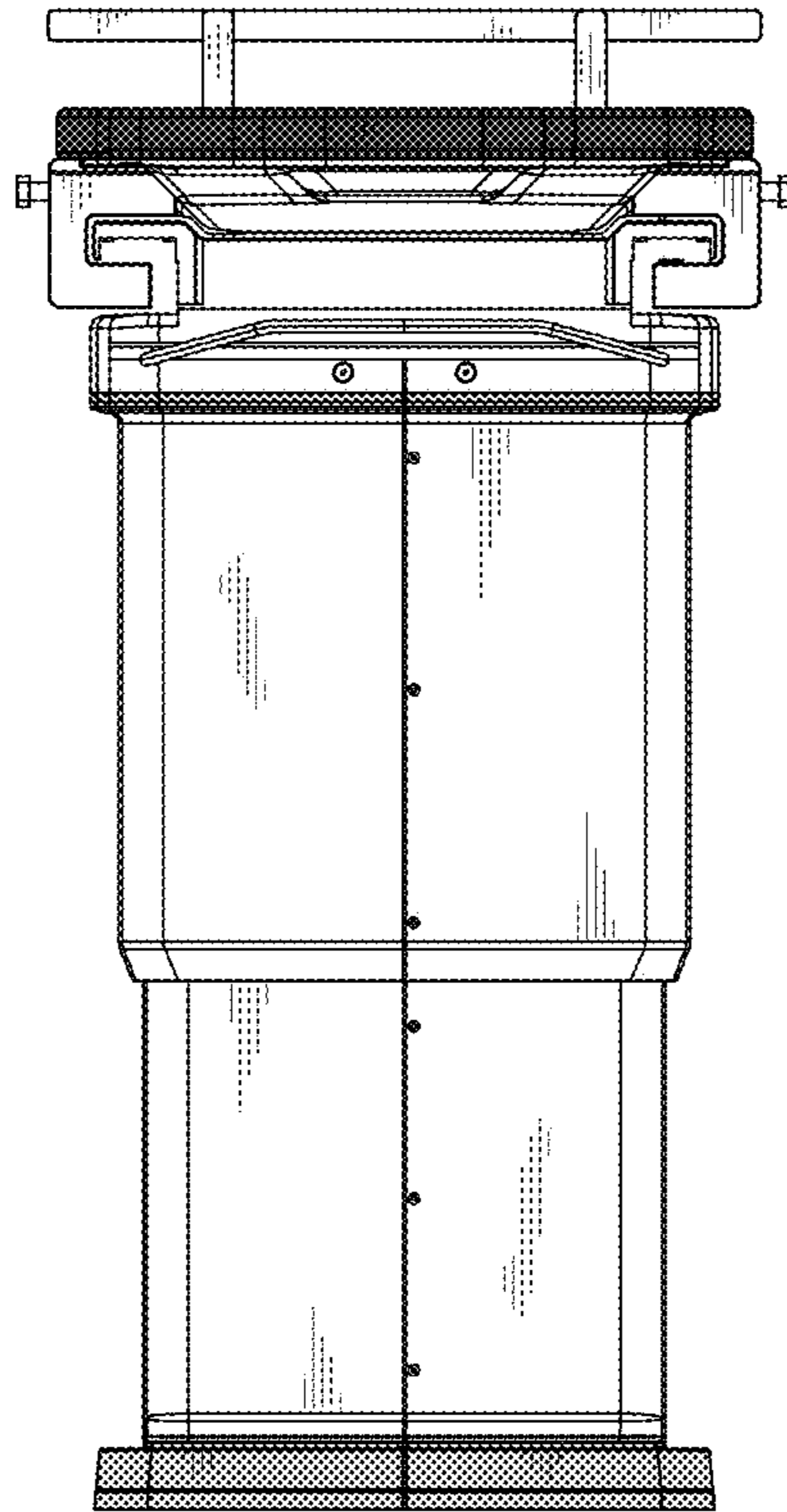


FIG. 8

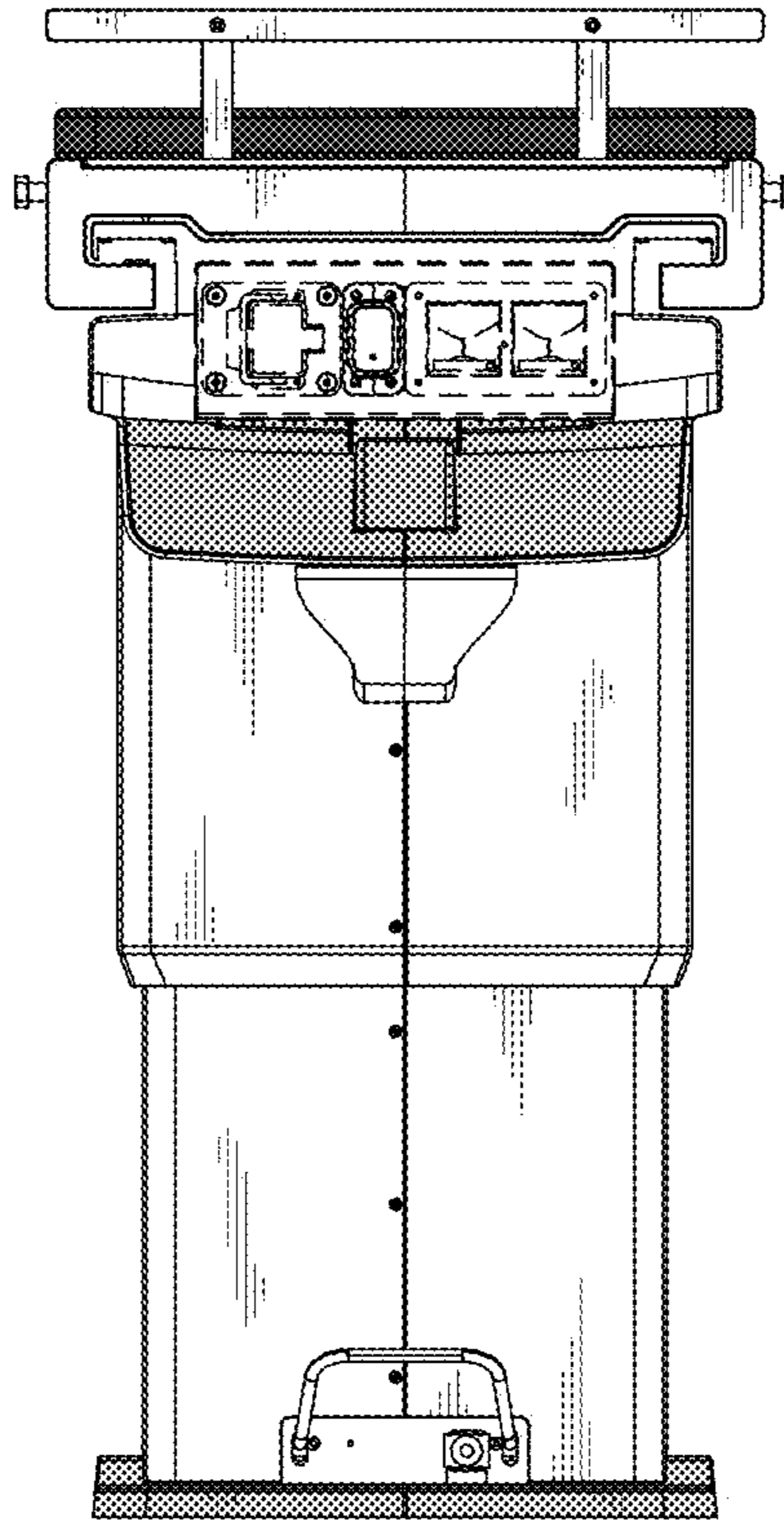


FIG. 9

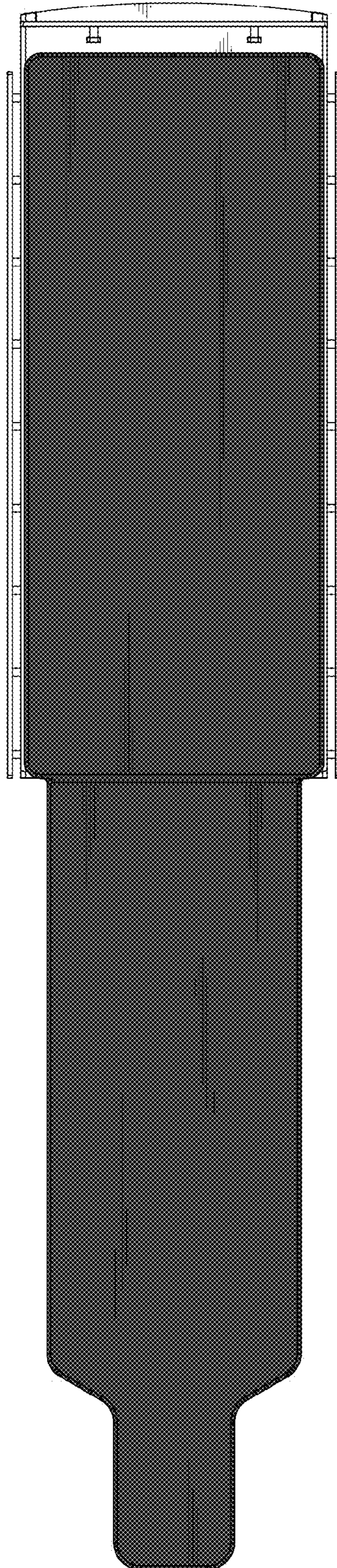


FIG. 10

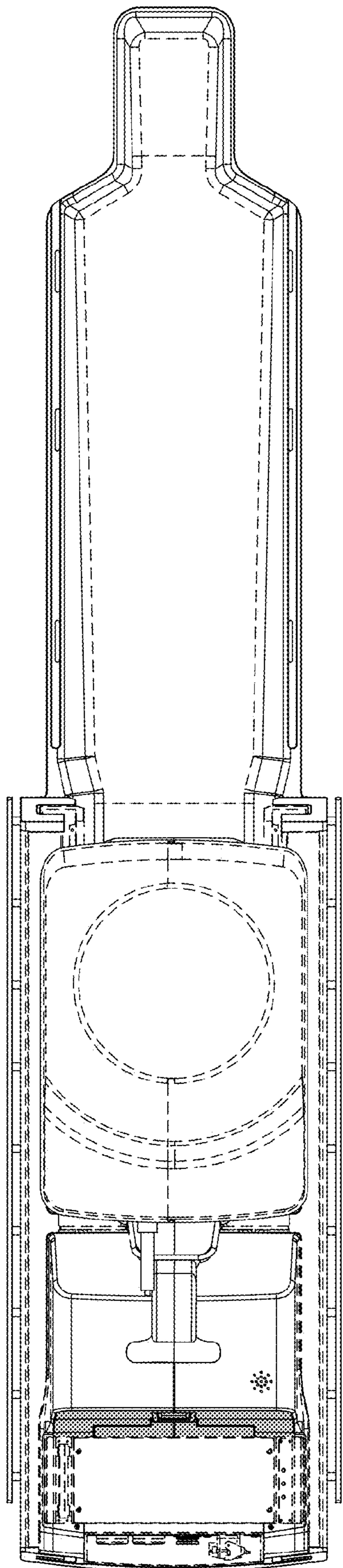


FIG. 11

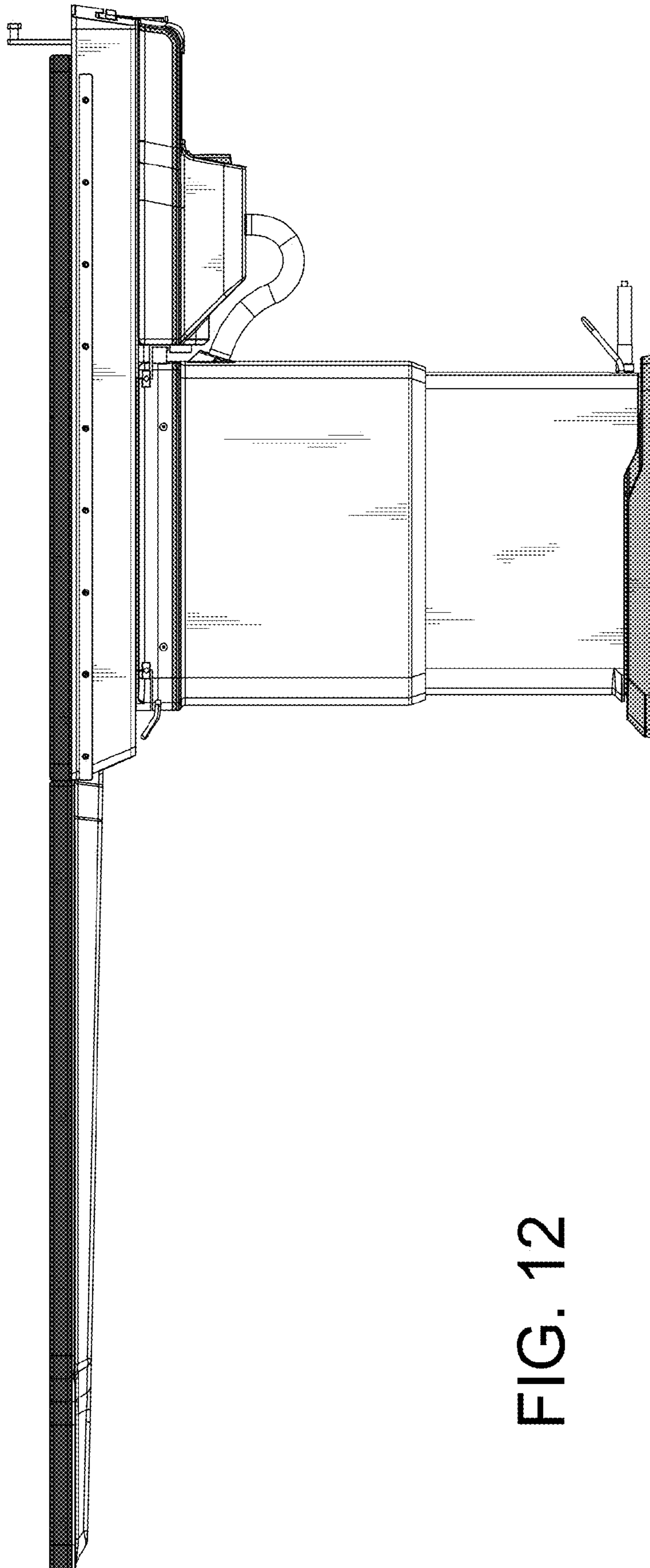


FIG. 12

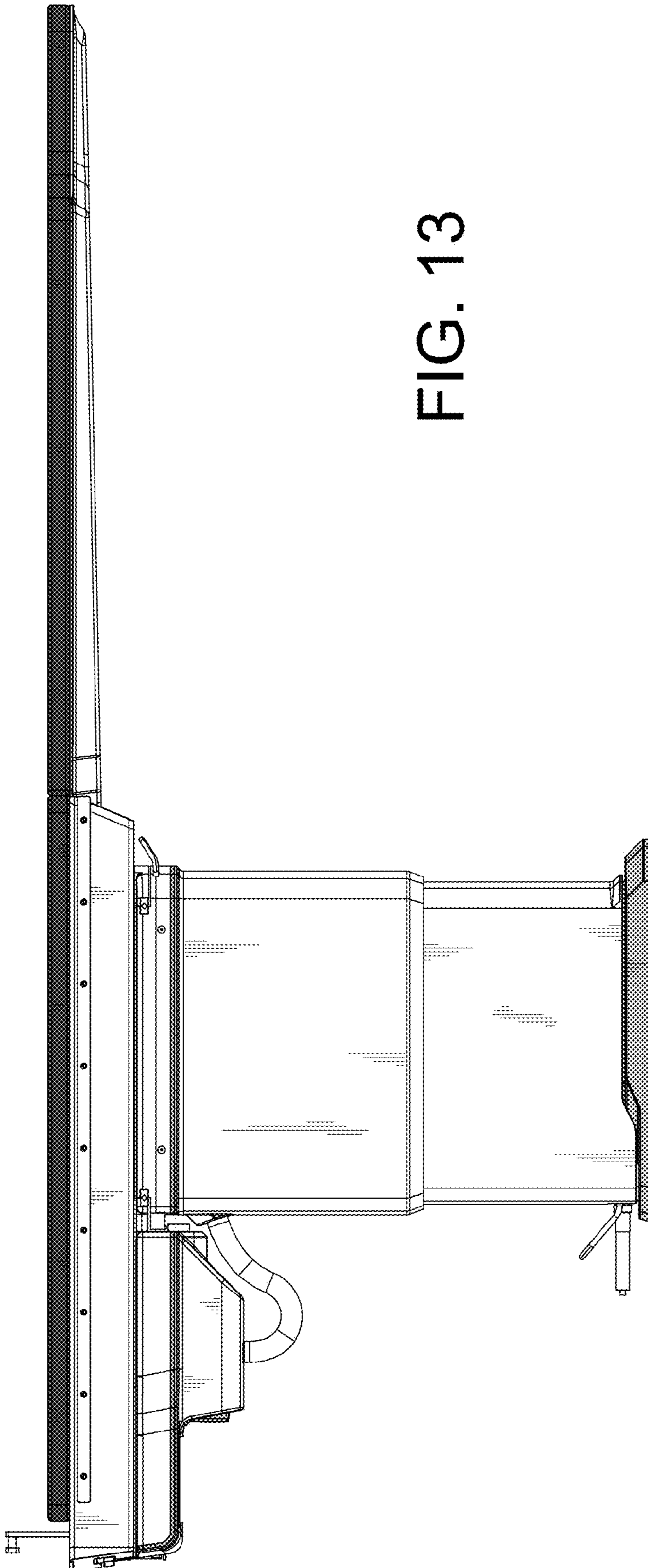


FIG. 13

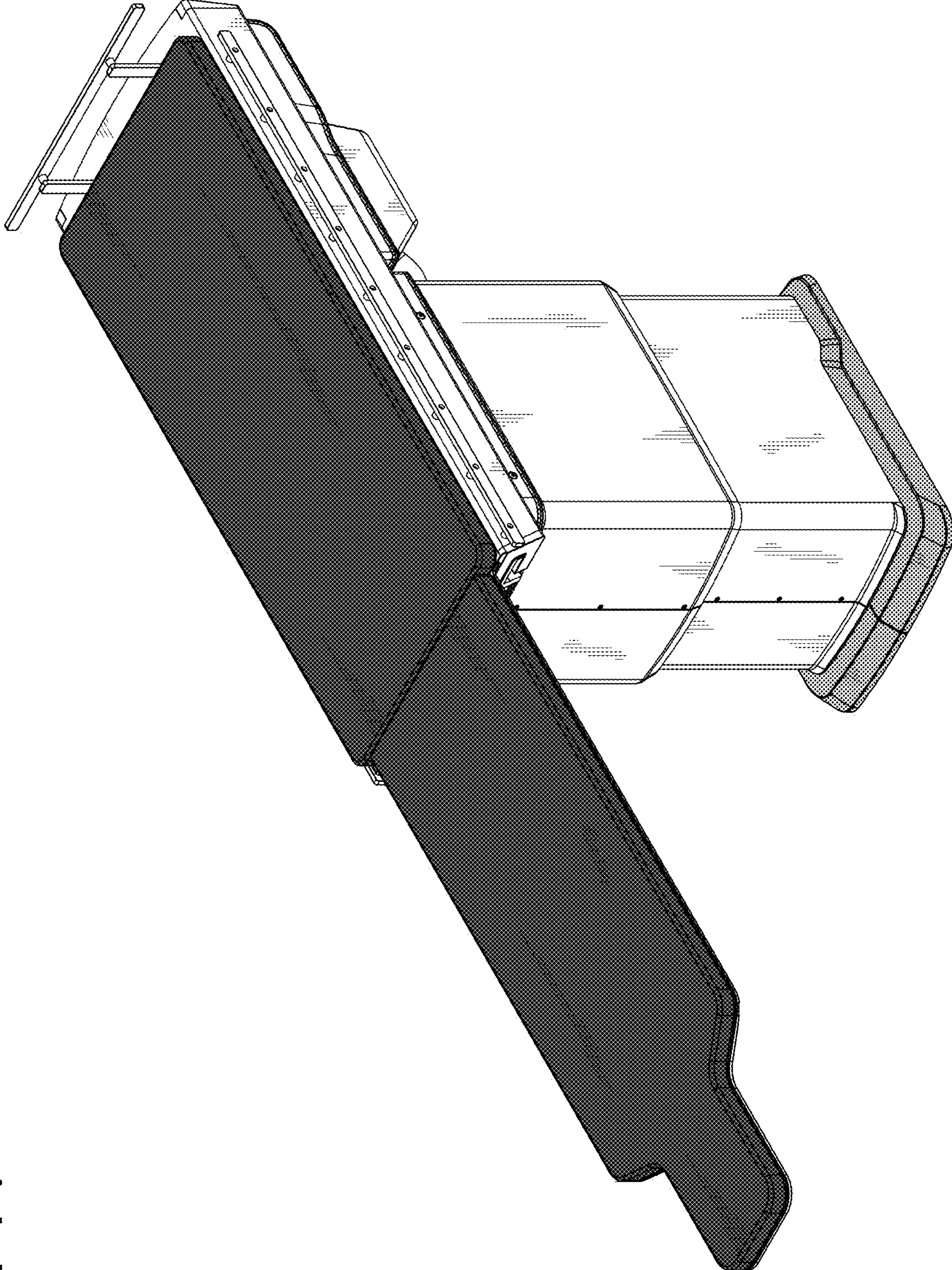


FIG. 14