



US00D897539S

(12) **United States Design Patent**
Yamazaki et al.

(10) **Patent No.:** **US D897,539 S**

(45) **Date of Patent:** **** Sep. 29, 2020**

(54) **IMPLEMENT FOR ARRANGING ARTIFICIAL TEETH**

(71) Applicant: **Tokuyama Dental Corporation**, Tokyo (JP)

(72) Inventors: **Tatsuya Yamazaki**, Tokyo (JP); **Kei Nakashima**, Tokyo (JP); **Youichi Yamamoto**, Kanagawa (JP); **Hitoshi Motohashi**, Kanagawa (JP)

(73) Assignee: **Tokuyama Dental Corporation**, Tokyo (JP)

(**) Term: **15 Years**

(21) Appl. No.: **29/675,635**

(22) Filed: **Jan. 4, 2019**

(30) **Foreign Application Priority Data**

Jul. 5, 2018	(JP)	2018-014828
Jul. 5, 2018	(JP)	2018-014829
Dec. 13, 2018	(JP)	2018-027144
Dec. 13, 2018	(JP)	2018-027145
Dec. 13, 2018	(JP)	2018-027146

(51) **LOC (12) Cl.** **24-02**

(52) **U.S. Cl.**
USPC **D24/181**; D24/180

(58) **Field of Classification Search**
USPC D24/180, 181, 194, 176, 177, 178, 179, D24/182, 110, 110.1–110.6, 127, 108; D29/108, 122, 128
CPC A61F 5/566; A61F 2005/563; A61H 2001/0207; A63B 71/085; A63B 2071/086; A63B 71/0054; A61C 7/08; A61C 7/36; A61C 7/143; A61C 7/148; A61C 19/05; A61C 3/00; A61C 3/10; A61C 13/0028; A61C 13/08; A61C 13/081; A61C 13/20
See application file for complete search history.

(56) **References Cited**

U.S. PATENT DOCUMENTS

516,529	A *	3/1894	Hansen	A61C 19/05 433/71
1,070,123	A *	8/1913	Farrel	A61C 19/05 433/69
1,910,740	A *	5/1933	Barsha	A61C 9/00 433/38
2,027,373	A *	1/1936	Eden	A61C 19/05 433/69
2,428,094	A *	9/1947	Raymond	A61C 13/1013 249/54
2,682,084	A *	6/1954	Anchors	A61C 13/04 264/17
2,720,025	A *	10/1955	Miller	A61C 13/12 433/191

(Continued)

Primary Examiner — T Chase Nelson

Assistant Examiner — Kelly L Gross

(74) *Attorney, Agent, or Firm* — Ziegler IP Law Group LLC.

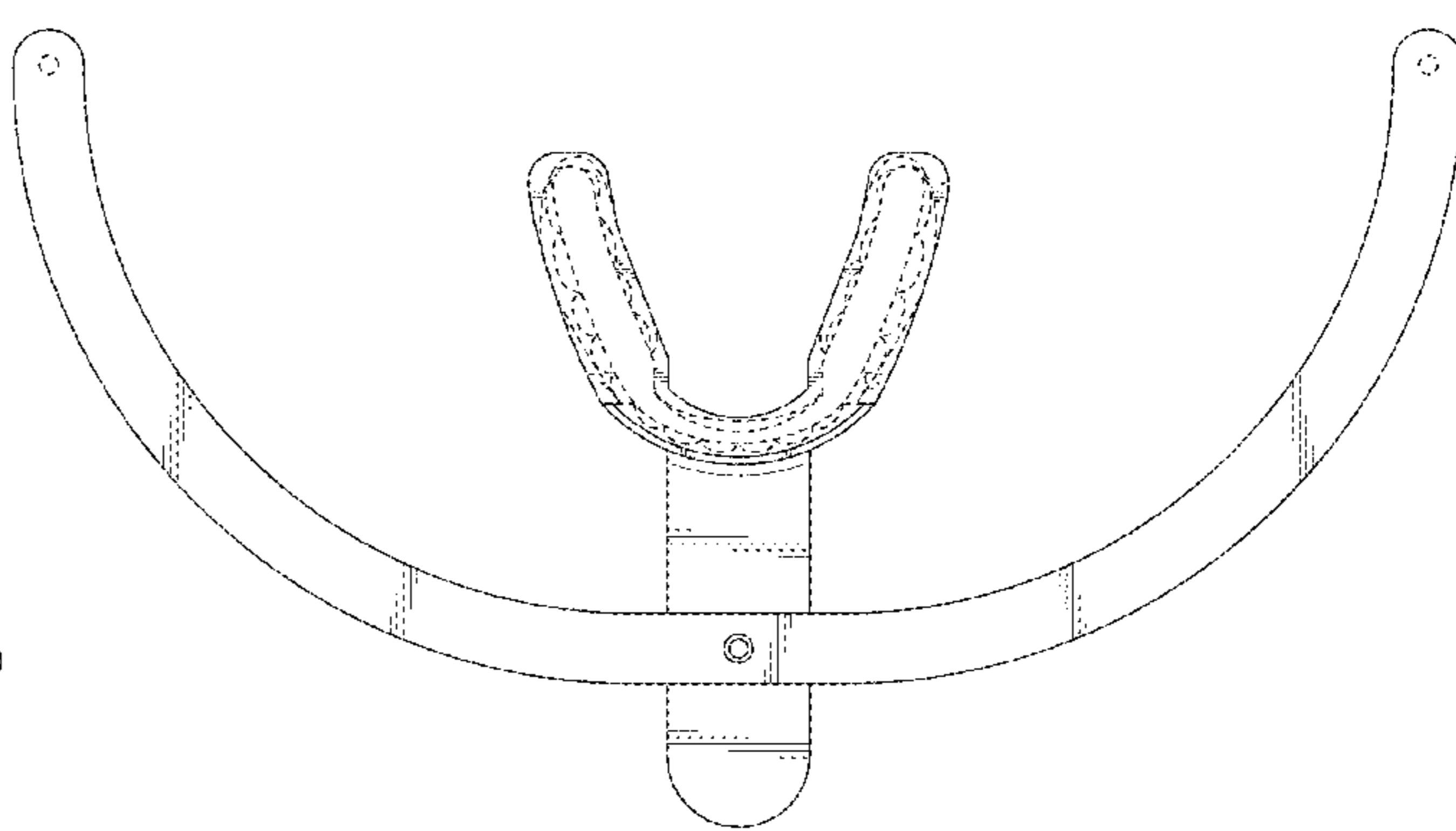
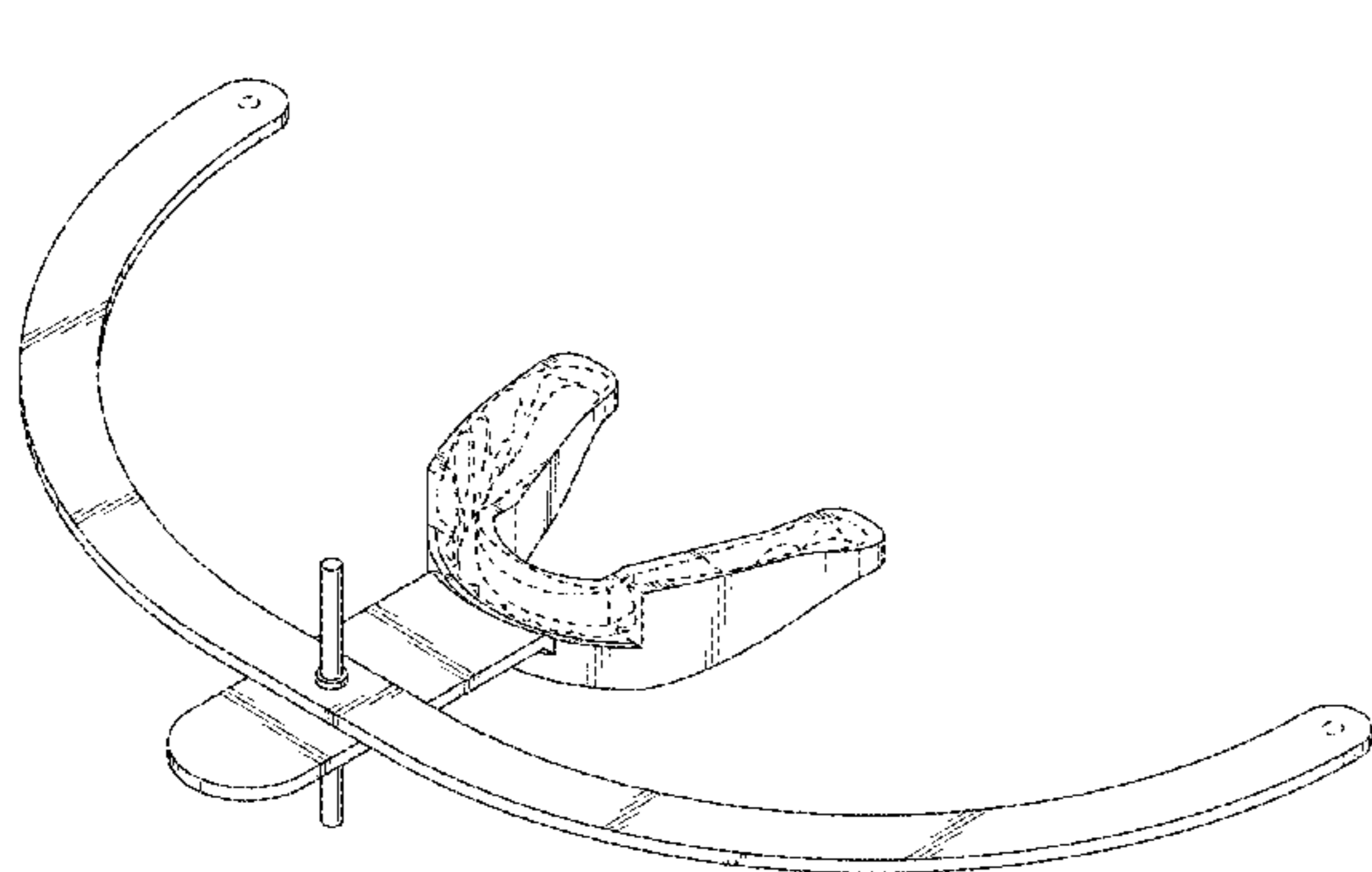
(57) **CLAIM**

The ornamental design for an implement for arranging artificial teeth, as shown and described.

DESCRIPTION

FIG. 1 is a perspective view of an implement for arranging artificial teeth showing the new design
FIG. 2 is a front view thereof;
FIG. 3 is a rear view thereof;
FIG. 4 is a left side view thereof;
FIG. 5 is a right side view thereof;
FIG. 6 is a top plan view thereof; and,
FIG. 7 is a bottom plan view thereof.
The broken lines shown in the views depict portions of the implement for arranging artificial teeth that form no part of the claimed design.

1 Claim, 6 Drawing Sheets



(56)

References Cited

U.S. PATENT DOCUMENTS

2,789,351 A * 4/1957 Gordon A61C 7/08
433/6
2,863,216 A * 12/1958 Lichtman A61C 19/05
433/69
3,161,956 A * 12/1964 Van Court et al. A61C 19/05
433/71
3,692,025 A * 9/1972 Greenberg A63B 71/085
128/857
D228,048 S * 8/1973 Miller D29/108
4,179,811 A * 12/1979 Hinz A61C 7/00
433/6
4,259,074 A * 3/1981 Link A61C 13/00
433/214
4,517,043 A * 5/1985 Martin A61C 11/087
156/196
4,551,098 A * 11/1985 Blair A61C 13/00
433/171
4,755,139 A * 7/1988 Abbatte A61C 7/08
433/6
RE33,442 E * 11/1990 George A61M 16/0493
128/860
5,037,294 A * 8/1991 Bergersen A61C 7/08
264/16
5,098,290 A * 3/1992 Honstein A61C 9/002
433/49
5,127,829 A * 7/1992 Nordquist A61C 9/0006
433/35
5,190,062 A * 3/1993 Rafaeli A61C 15/046
132/323
5,293,880 A * 3/1994 Levitt A63B 71/085
128/861
5,353,810 A * 10/1994 Kittelsen A63B 71/085
128/859
D408,919 S * 4/1999 Cooley D24/181
6,139,321 A * 10/2000 MacCulloch A61C 13/1016
433/171
6,405,729 B1 * 6/2002 Thornton A61F 5/566
128/206.29
6,966,319 B2 * 11/2005 Fitton B63C 11/186
128/848
D582,559 S * 12/2008 Khawaled D24/181
D632,395 S * 2/2011 Massad D24/181
D655,816 S * 3/2012 Llop D24/181
D661,806 S * 6/2012 Khawaled D24/152
D663,485 S * 7/2012 Turkbaz D24/181
8,449,294 B2 * 5/2013 Gramann A61C 9/0006
433/37

D685,098 S * 6/2013 Tompkins D24/180
8,459,989 B2 * 6/2013 Keski-Nisula A61C 7/08
433/24
D695,855 S * 12/2013 Bernard D21/662
8,690,573 B2 * 4/2014 Kadobayashi A61C 13/0003
433/196
D713,531 S * 9/2014 Way D24/181
D713,532 S * 9/2014 Way D24/181
D719,266 S * 12/2014 Goldstein D24/180
9,375,289 B1 * 6/2016 Walls A61C 7/08
D782,048 S * 3/2017 Ritter D24/181
D790,712 S * 6/2017 Walls D24/181
D795,431 S * 8/2017 Way D24/152
9,820,882 B2 * 11/2017 Liptak A61F 5/566
D807,583 S * 1/2018 Evans D29/108
D813,397 S * 3/2018 Kashiwabara D24/181
D864,399 S * 10/2019 Qin D24/176
D874,654 S * 2/2020 Martone D24/180
2003/0091959 A1 * 5/2003 Shinozaki A61C 13/0001
433/167
2003/0198912 A1 * 10/2003 Mah A61C 7/06
433/6
2003/0234022 A1 * 12/2003 Belfer A61F 5/566
128/861
2005/0244768 A1 * 11/2005 Taub A61C 7/146
433/3
2006/0121407 A1 * 6/2006 Dylina A61C 7/08
433/25
2012/0179281 A1 * 7/2012 Steingart A61C 5/77
700/97
2012/0237892 A1 * 9/2012 Lang A61C 19/045
433/73
2014/0272787 A1 * 9/2014 Ginsburg A61C 13/0004
433/171
2014/0342306 A1 * 11/2014 Lerner A61C 13/083
433/34
2014/0345626 A1 * 11/2014 Brett A63B 71/085
128/861
2014/0371643 A1 * 12/2014 Martin A61C 5/90
601/159
2015/0327959 A1 * 11/2015 Hoffmann A61C 9/002
703/1
2016/0106525 A1 * 4/2016 Kim A61C 19/05
433/42
2016/0128801 A1 * 5/2016 Keko A61C 7/002
433/6
2016/0158627 A1 * 6/2016 Layzell A61C 9/0006
264/16
2017/0007381 A1 * 1/2017 Minakuchi A61C 13/1006

* cited by examiner

FIG. 1

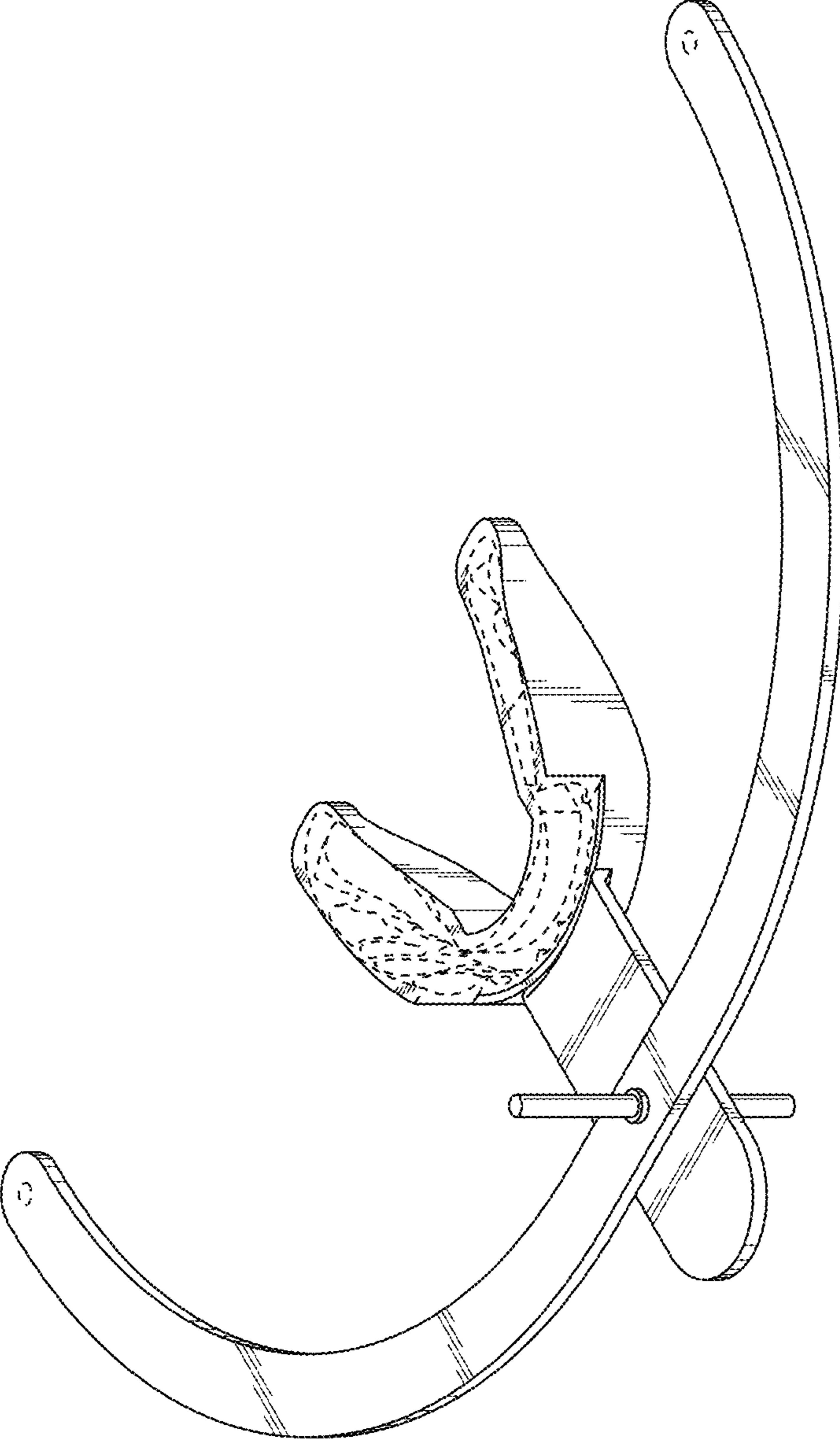


FIG. 2

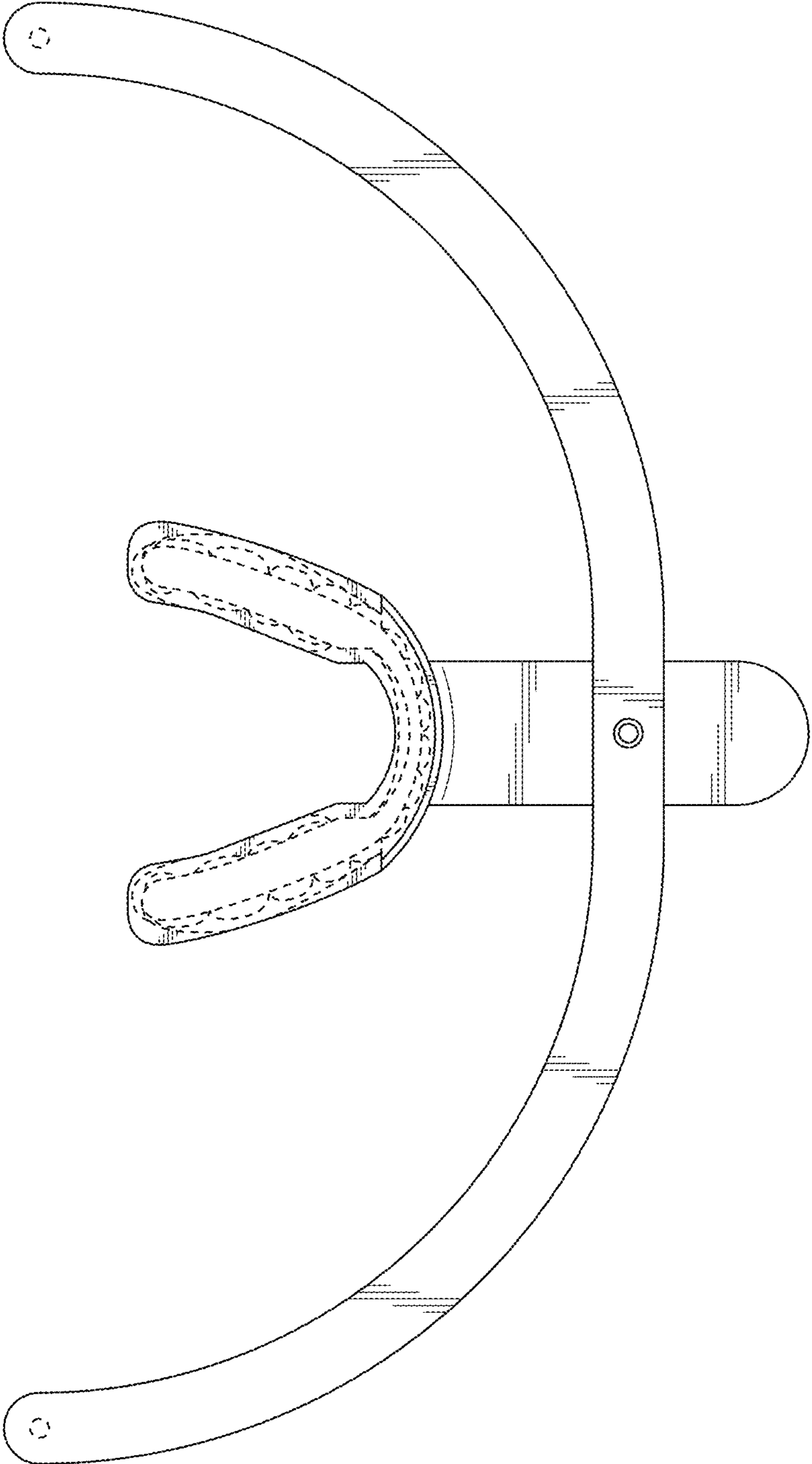


FIG. 3

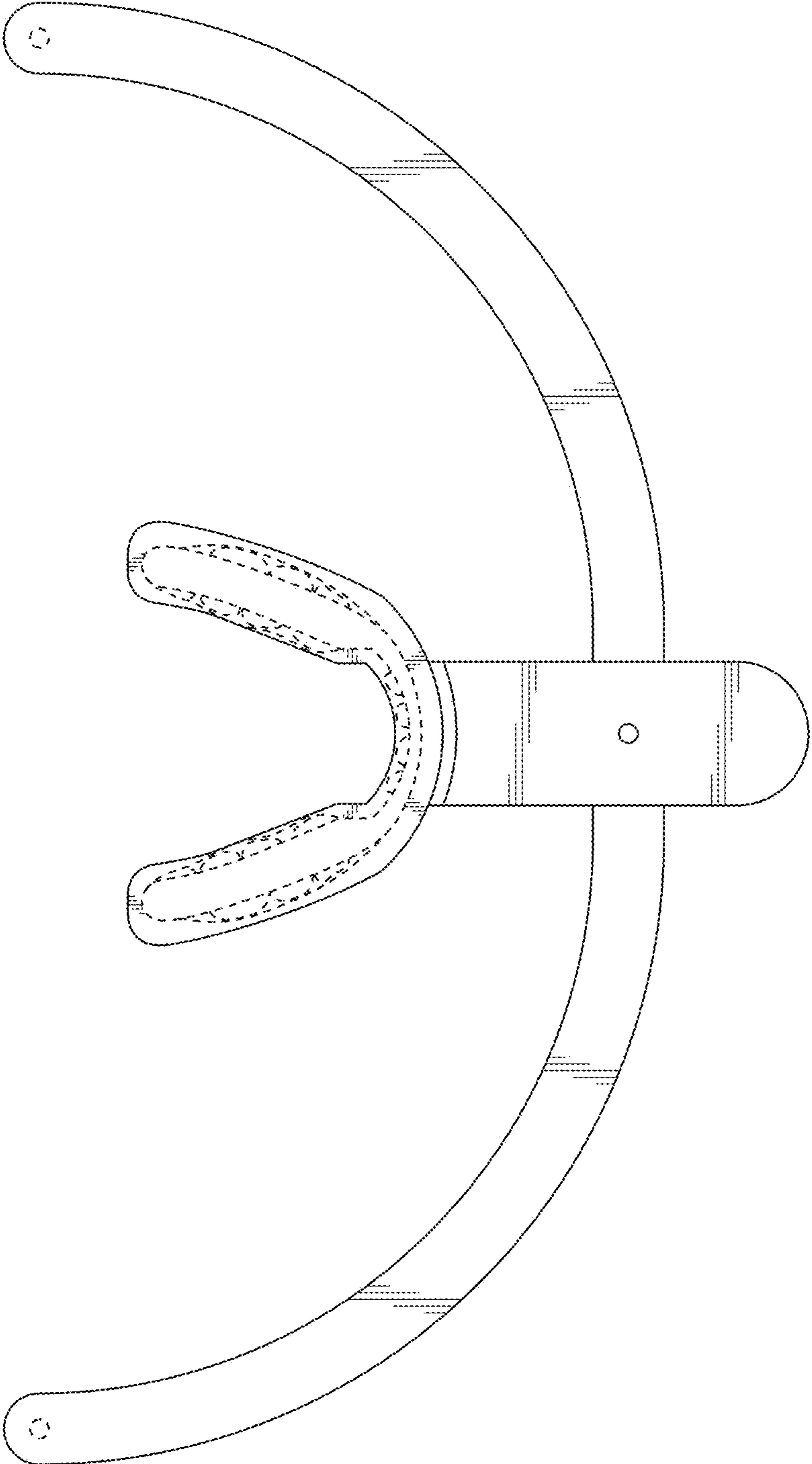


FIG. 4

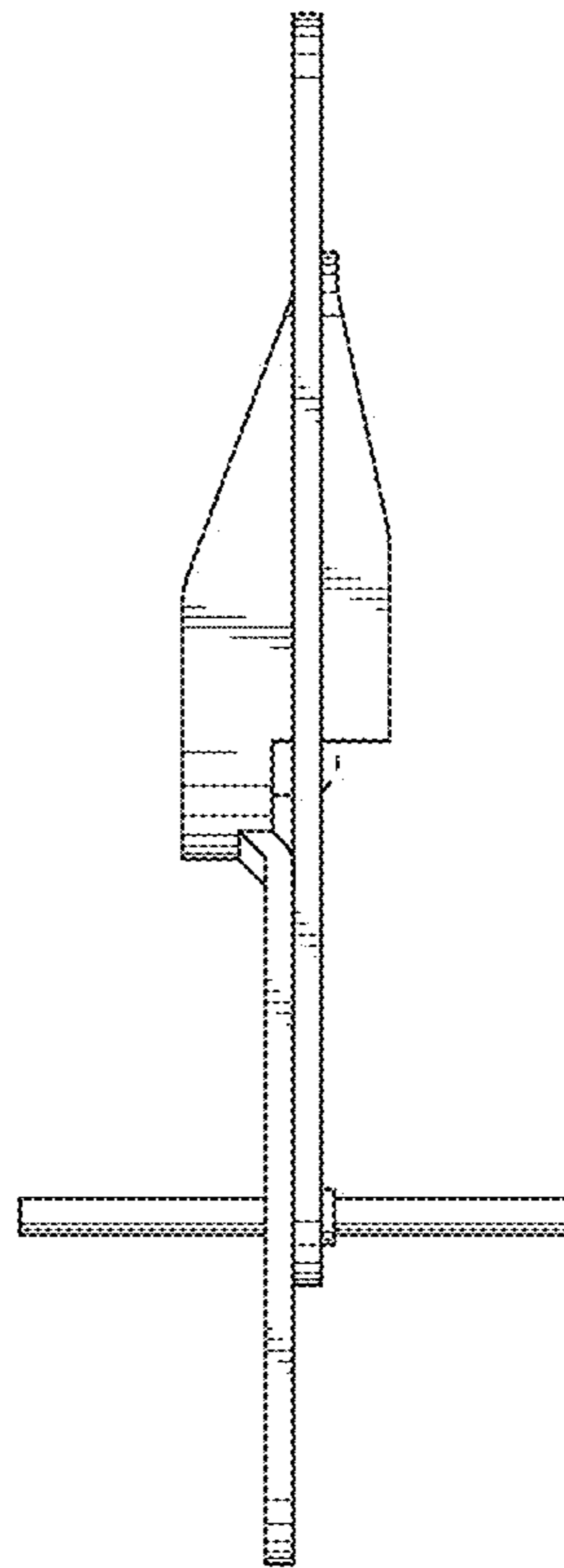


FIG. 5

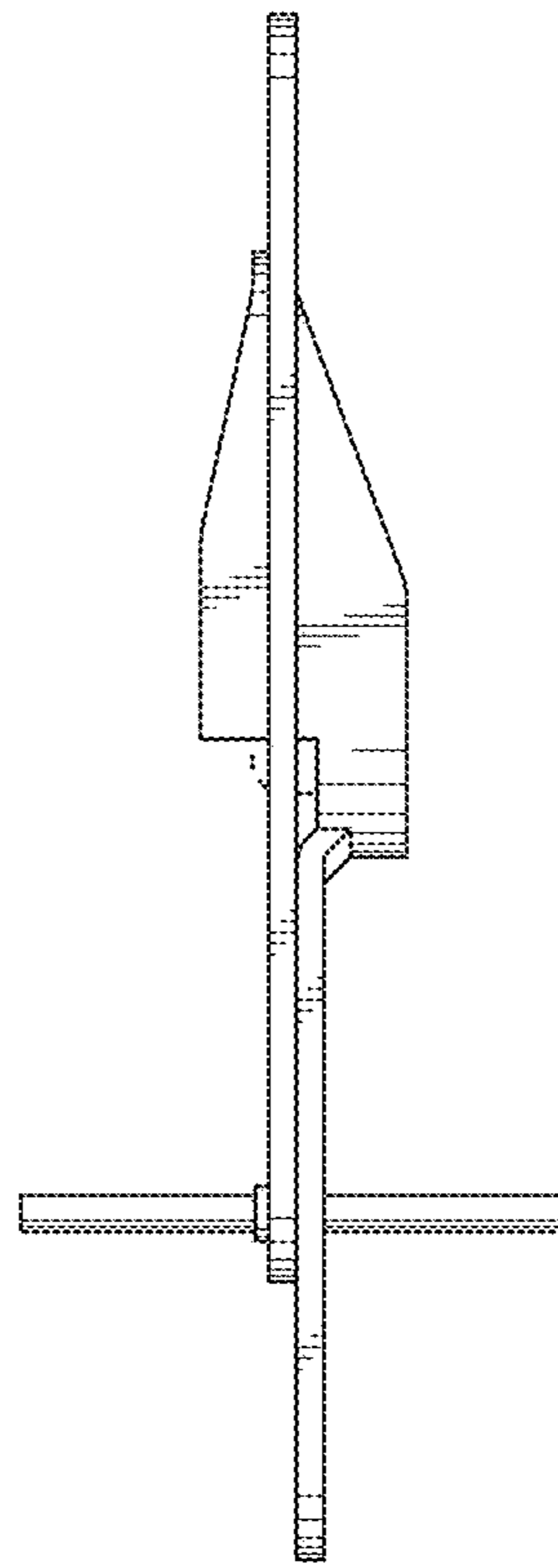


FIG. 6

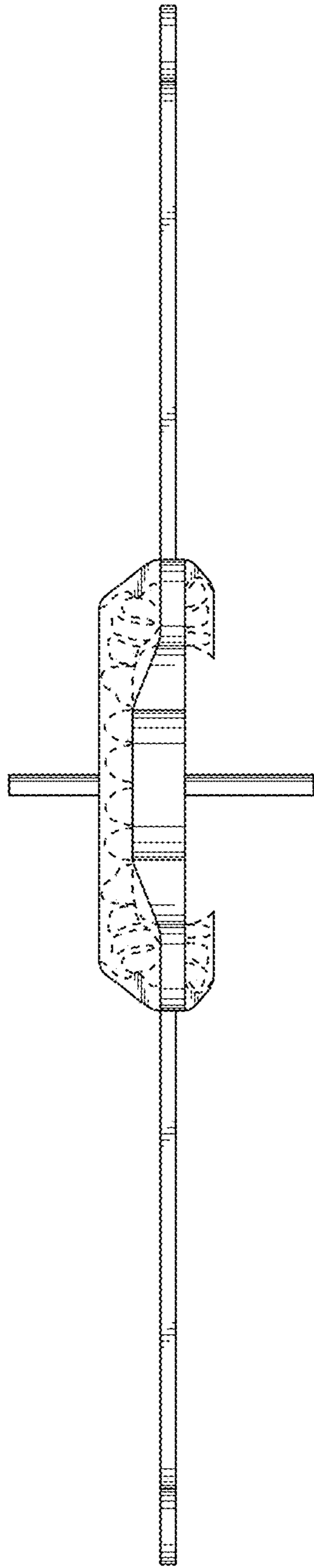


FIG. 7

