



US00D897538S

(12) **United States Design Patent**
Myers

(10) **Patent No.:** **US D897,538 S**

(45) **Date of Patent:** **** Sep. 29, 2020**

(54) **ORAL CARE DEVICE**

(71) Applicant: **Colgate-Palmolive Company**, New York, NY (US)

(72) Inventor: **Carl Myers**, Wayne, NJ (US)

(73) Assignee: **Colgate-Palmolive Company**, New York, NY (US)

(**) Term: **15 Years**

(21) Appl. No.: **29/660,115**

(22) Filed: **Aug. 17, 2018**

(51) **LOC (12) Cl.** **24-02**

(52) **U.S. Cl.**
USPC **D24/176**

(58) **Field of Classification Search**
USPC D24/176-178, 227, 229-230; D3/201,
D3/203.1, 203.3, 274, 295; D9/428;
206/565, 63.5, 368
CPC A45C 11/00; A61C 19/02; B65D
43/162-164; B65D 43/169; B65D 25/10;
B65D 25/22; B65D 85/54
See application file for complete search history.

(56) **References Cited**

U.S. PATENT DOCUMENTS

D315,954 S * 4/1991 Berland D24/176
D457,638 S * 5/2002 Alstad D24/176
6,824,006 B2 * 11/2004 Lambelet, Jr. B65D 43/164
16/361
7,201,271 B1 * 4/2007 Saad A45C 11/00
132/315

9,351,808 B2 * 5/2016 McCarthy A61C 19/02
9,980,799 B2 * 5/2018 Wilson B65D 43/163
D865,180 S * 10/2019 Bauer D24/176
2004/0007491 A1 * 1/2004 Tompkins B65D 43/164
206/459.5
2004/0089668 A1 * 5/2004 Lambelet, Jr. B65D 43/164
220/835
2004/0244805 A1 * 12/2004 Cook B65D 43/164
128/859

* cited by examiner

Primary Examiner — Wan Laymon

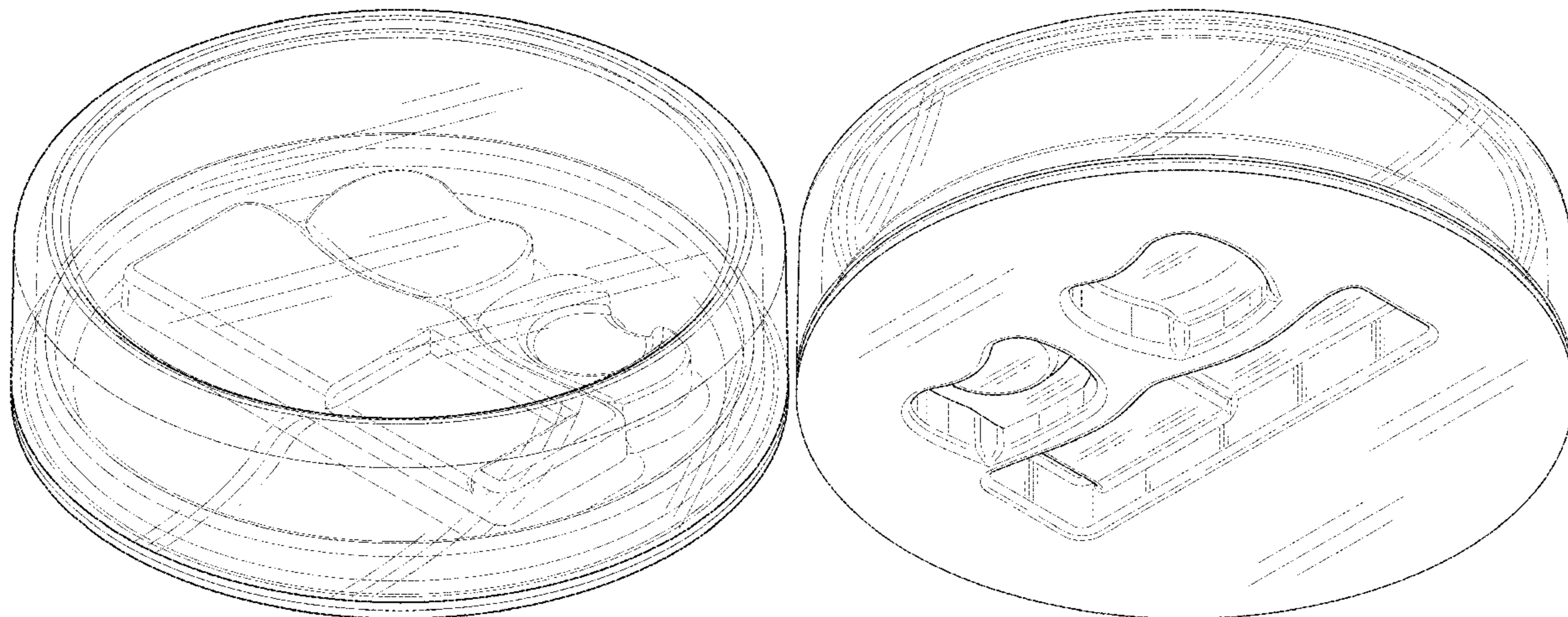
(57) **CLAIM**

The ornamental design for an oral care device, as shown and described.

DESCRIPTION

FIG. 1 is a top right perspective view of an oral care device in a closed configuration according to a first embodiment of the new design;
FIG. 2 is a bottom left perspective view thereof;
FIG. 3 is a front view thereof;
FIG. 4 is a right side view thereof;
FIG. 5 is a rear view thereof,
FIG. 6 is a left side view thereof;
FIG. 7 is a top view thereof; and,
FIG. 8 is a bottom view thereof.
The oblique lines in the drawings are used to depict transparent or translucent surfaces.

1 Claim, 6 Drawing Sheets



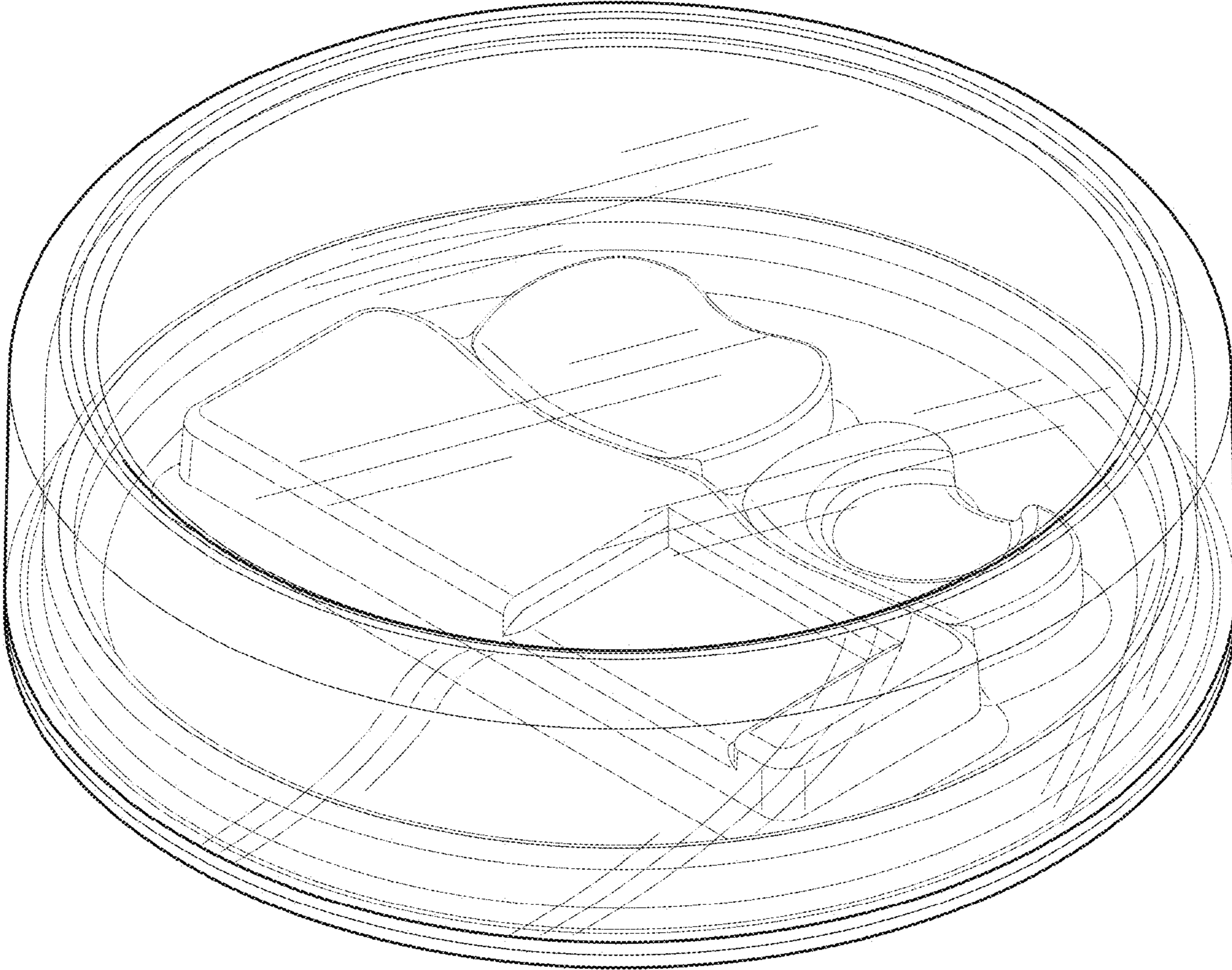


FIG. 1

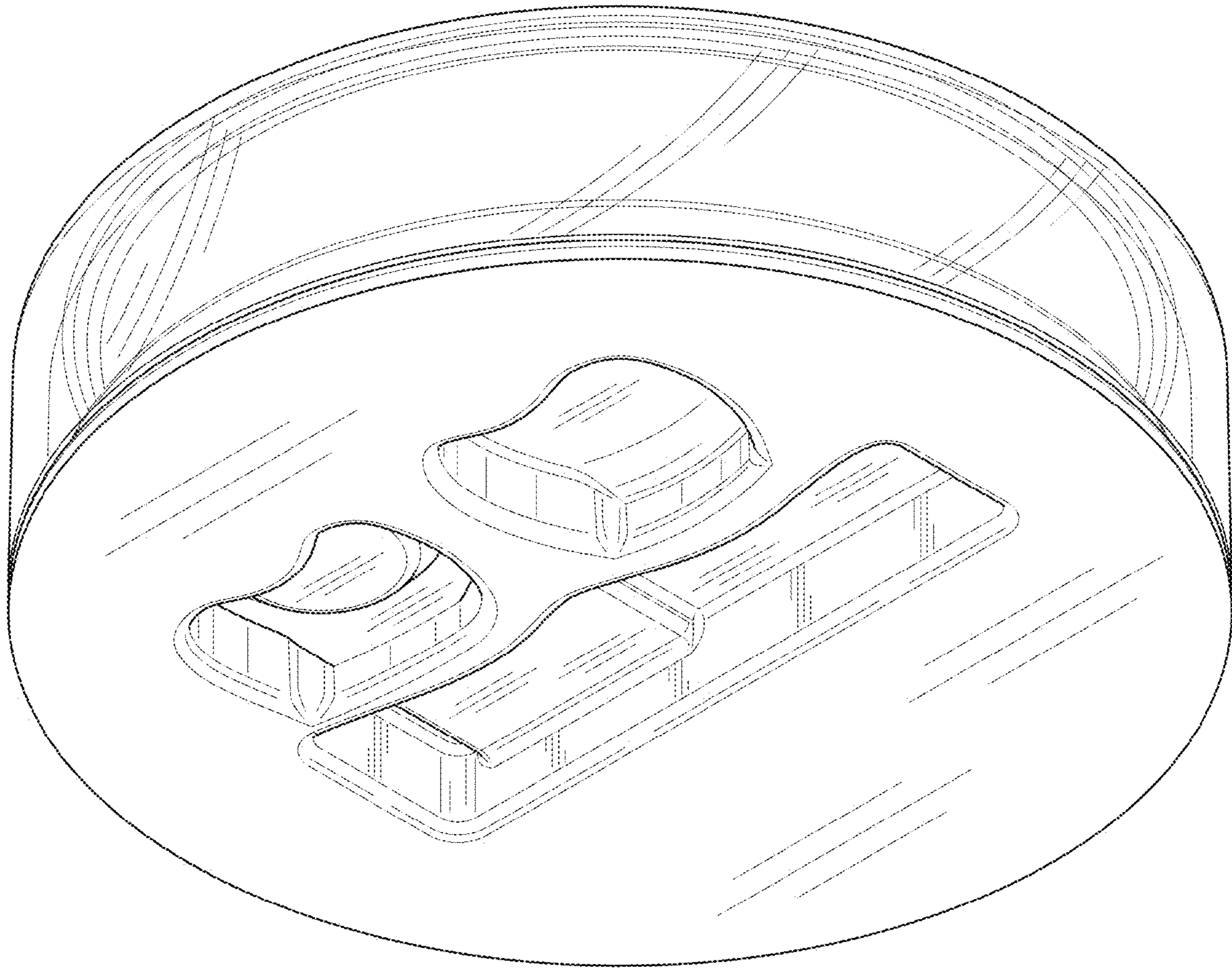


FIG. 2

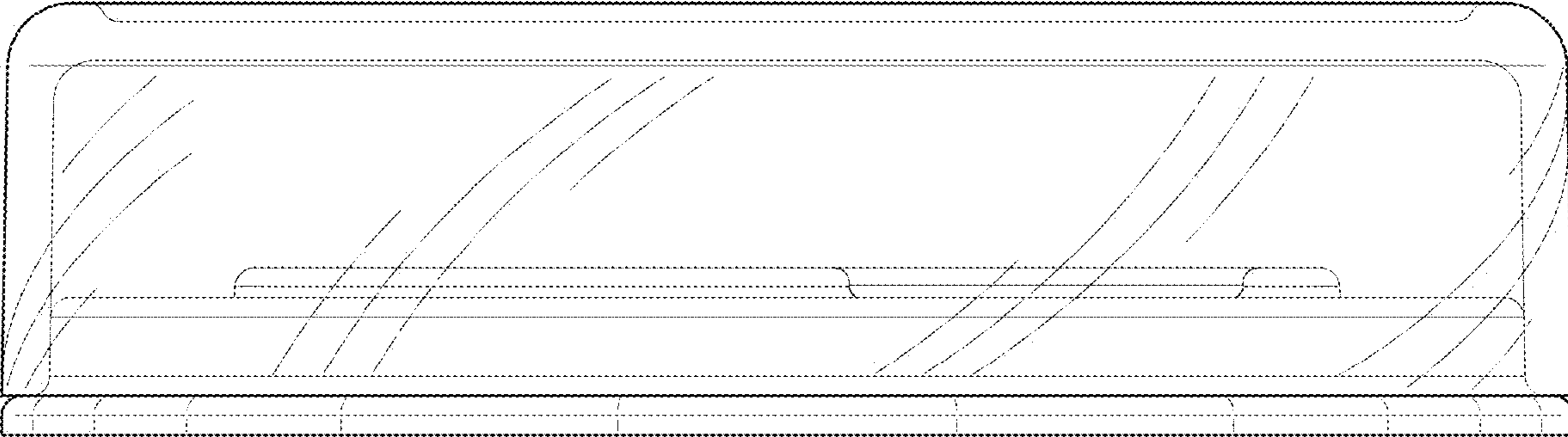


FIG. 3

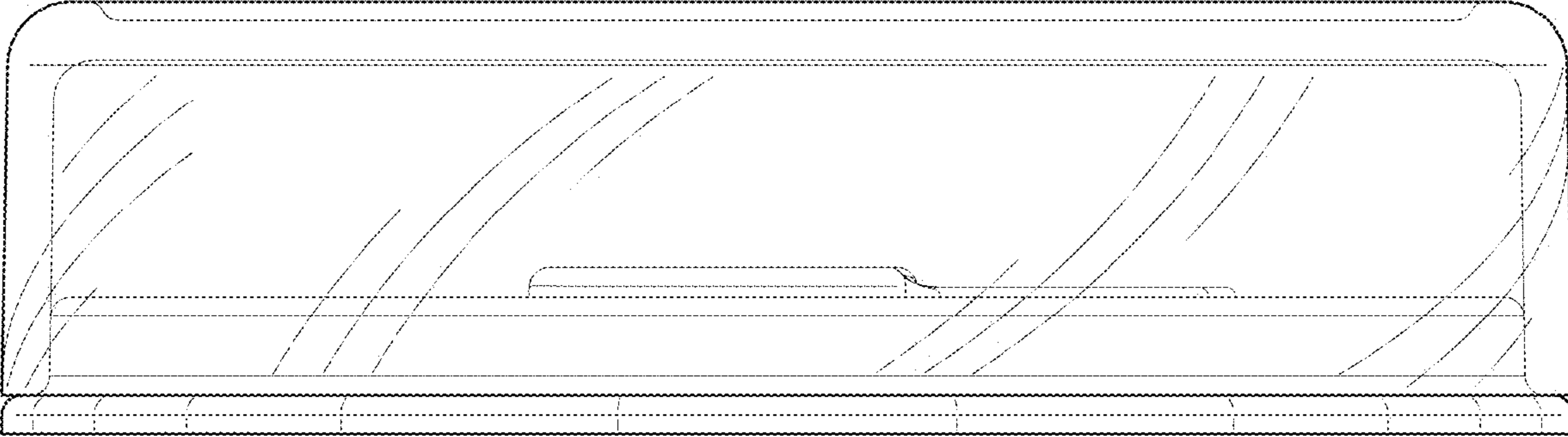


FIG. 4

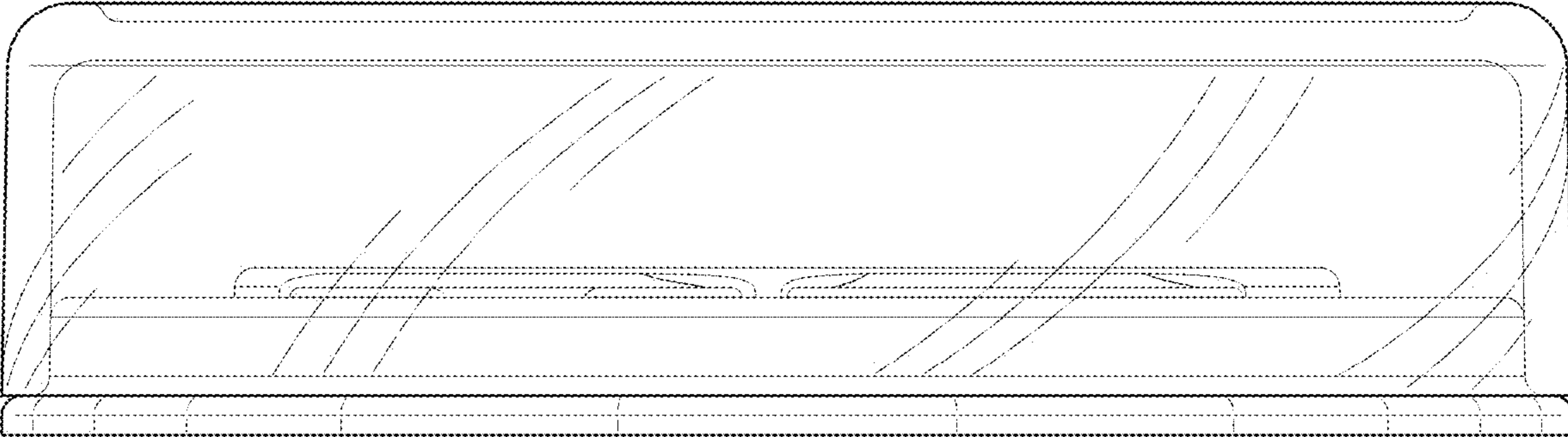


FIG. 5

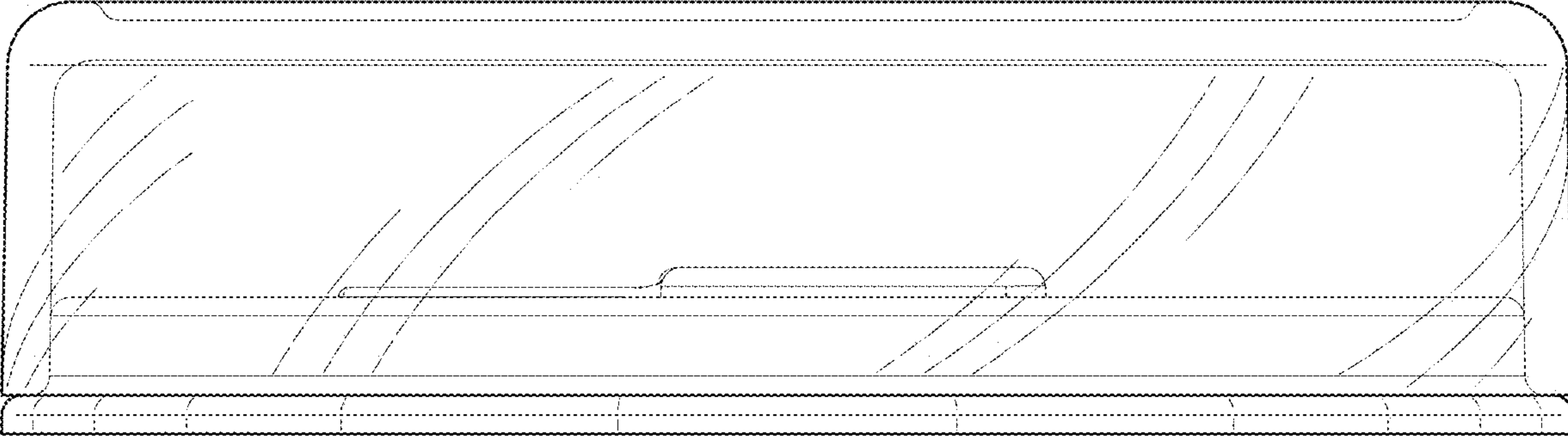


FIG. 6

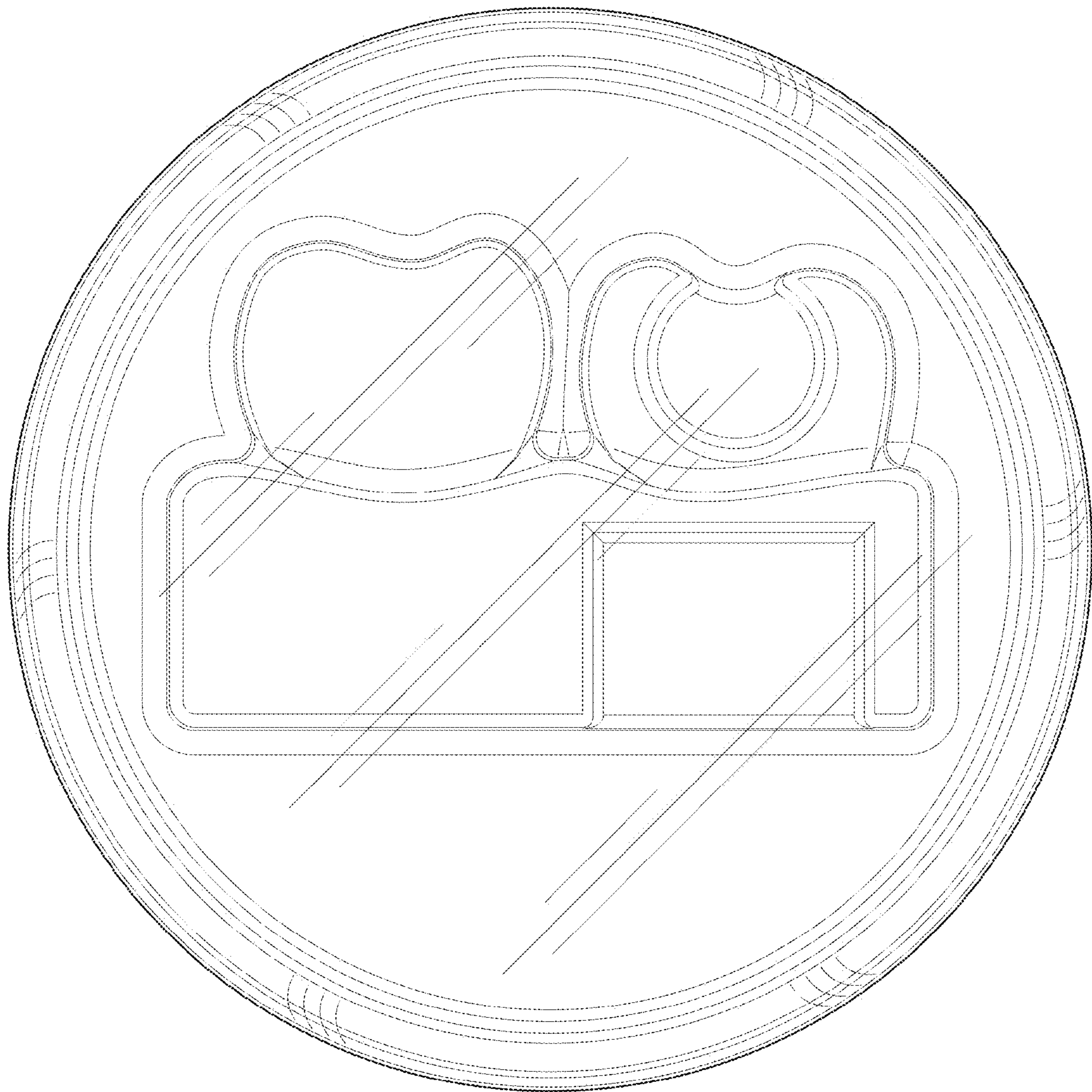


FIG. 7



FIG. 8