



US00D897537S

(12) **United States Design Patent** (10) **Patent No.:** **US D897,537 S**  
**Hulford et al.** (45) **Date of Patent:** **\*\* Sep. 29, 2020**

(54) **SURGICAL APPARATUS**

(71) Applicant: **Intuitive Surgical Operations, Inc.**,  
Sunnyvale, CA (US)  
(72) Inventors: **Timothy B. Hulford**, San Jose, CA  
(US); **Robert B. Hubler**, Woodinville,  
WA (US); **Nicholas W. Oakley**,  
Portland, OR (US)  
(73) Assignee: **INTUITIVE SURGICAL  
OPERATIONS, INC.**, Sunnyvale, CA  
(US)  
(\*\*) Term: **15 Years**

(21) Appl. No.: **29/648,161**  
(22) Filed: **May 18, 2018**

**Related U.S. Application Data**

(63) Continuation-in-part of application No. 29/601,025,  
filed on Apr. 18, 2017, now Pat. No. Des. 837,380.  
(51) **LOC (12) Cl.** ..... **24-01**  
(52) **U.S. Cl.**  
USPC ..... **D24/170; D24/185**  
(58) **Field of Classification Search**  
USPC ..... D24/185, 158, 184, 186, 175, 232, 108,  
D24/144; D14/452; D15/199  
CPC ..... A61B 34/30; A61B 34/32; A61B 34/35;  
A61B 2034/301; A61B 2034/302; A61B  
2034/303; A61B 2034/304; A61B  
2034/305; A61B 2034/306  
See application file for complete search history.

(56) **References Cited**

**U.S. PATENT DOCUMENTS**

D435,107 S 12/2000 Blair  
D456,080 S 4/2002 Karlsson  
D486,915 S 2/2004 Warschewske et al.  
D492,997 S 7/2004 DiStasio

(Continued)

**OTHER PUBLICATIONS**

Exploration Surgical Robot / Biopsy / Bronchoscopy, posted at  
medicalexpo.com, no posting date, retrieved Mar. 12, 2020, online,  
URL:https://www.medicalexpo.com/prod/intuitive-surgical/product-  
75060-901579.html (Year: 2020).\*

(Continued)

*Primary Examiner* — Lilyana Bekic

*Assistant Examiner* — Mary Shannon Malley

(74) *Attorney, Agent, or Firm* — Haynes and Boone, LLP

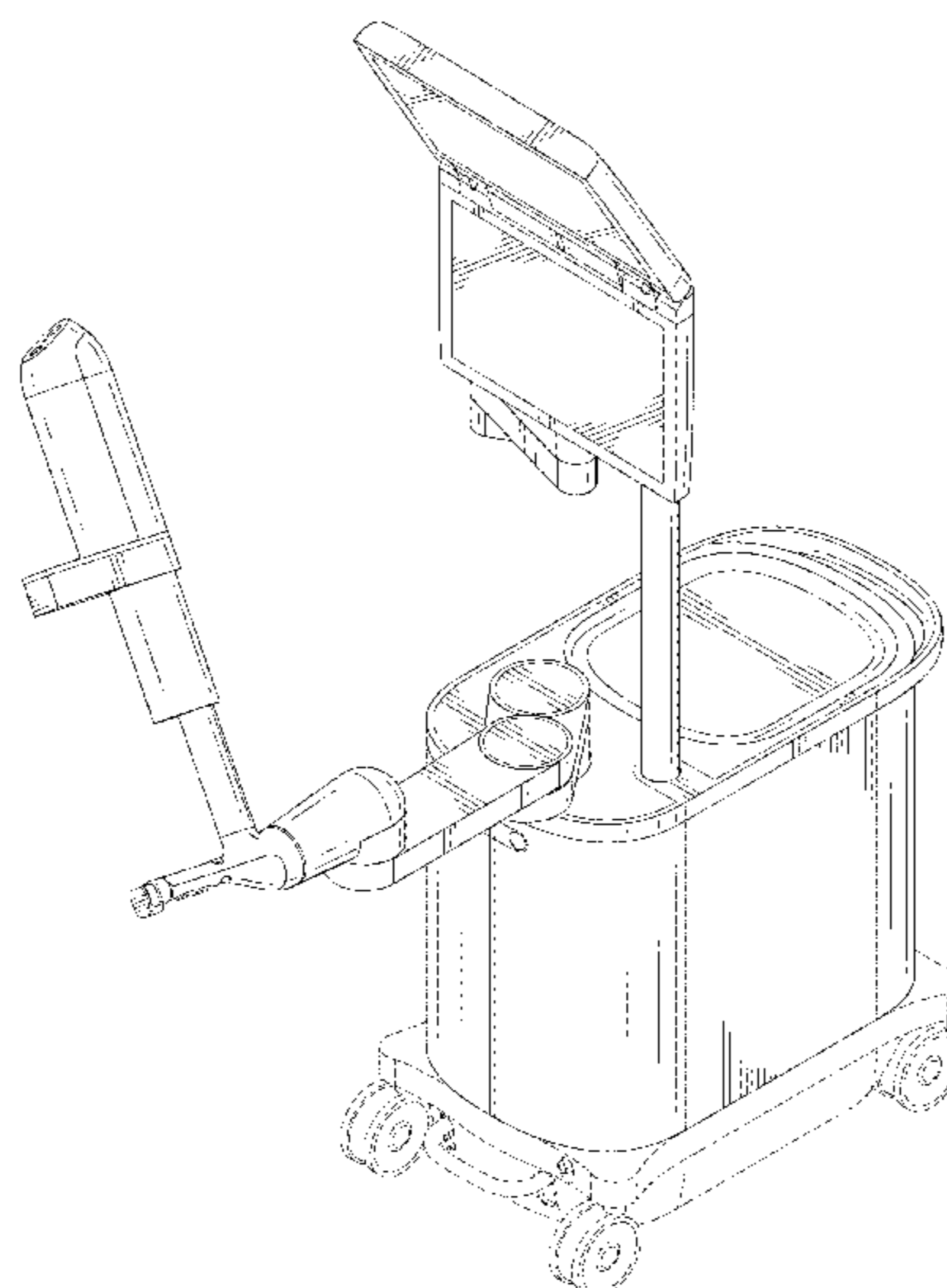
(57) **CLAIM**

The ornamental design for a surgical apparatus, as shown  
and described.

**DESCRIPTION**

FIG. 1 is a perspective view of a surgical apparatus showing  
our new design in a first configuration;  
FIG. 2 is a front elevational view thereof;  
FIG. 3 is a rear elevational view thereof;  
FIG. 4 is a right side elevational view thereof;  
FIG. 5 is a left side elevational view thereof;  
FIG. 6 is a top plan view thereof;  
FIG. 7 is a bottom plan view thereof;  
FIG. 8 is another perspective view thereof;  
FIG. 9 is a perspective view of a surgical apparatus showing  
our new design in a second configuration;  
FIG. 10 is a front elevational view thereof;  
FIG. 11 is a rear elevational view thereof;  
FIG. 12 is a right side elevational view thereof;  
FIG. 13 is a left side elevational view thereof;  
FIG. 14 is a top plan view thereof;  
FIG. 15 is a bottom plan view thereof; and,  
FIG. 16 is another perspective view thereof.  
The broken lines depict portions of the surgical apparatus  
that form no part of the claimed design.

**1 Claim, 16 Drawing Sheets**



(56)

**References Cited**

U.S. PATENT DOCUMENTS

D553,655 S 10/2007 Jennings et al.  
D610,926 S 3/2010 Gerent et al.  
D670,319 S \* 11/2012 Liu ..... D15/199  
D680,650 S 4/2013 Muraoka et al.  
8,611,986 B2 12/2013 Wu  
D722,172 S 2/2015 Amemiya et al.  
D724,738 S 3/2015 Dorris et al.  
D743,036 S 11/2015 Boukhny et al.  
9,566,121 B2 \* 2/2017 Staunton ..... F16D 1/116  
D785,183 S 4/2017 Ogura  
D843,427 S \* 3/2019 Medal ..... D15/199  
D875,951 S \* 2/2020 Kent ..... D24/185  
D877,222 S \* 3/2020 Abe ..... D15/199  
2017/0209222 A1 \* 7/2017 Gassner ..... A61B 90/39  
2017/0360521 A1 12/2017 Johnson  
2018/0049839 A1 2/2018 Seong et al.  
2019/0314094 A1 \* 10/2019 Crawford ..... A61B 34/32

OTHER PUBLICATIONS

Vertut, Jean and Phillipe Coiffet, Robot Technology: Teleoperation and Robotics Evolution and Development, English translation, Prentice-Hall, Inc., Inglewood Cliffs, NJ, USA 1986, vol. 3A, 332 pages.

\* cited by examiner

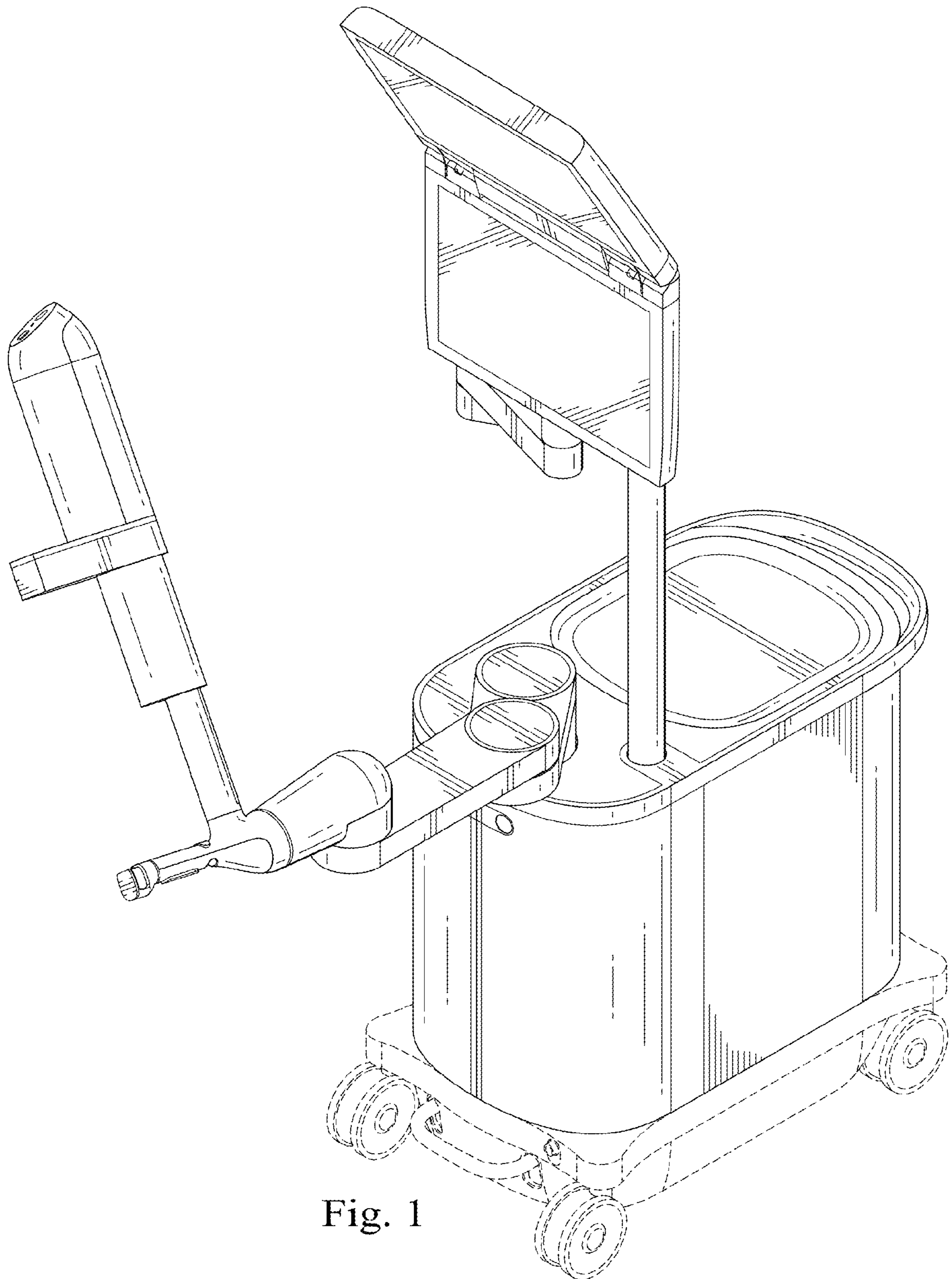


Fig. 1

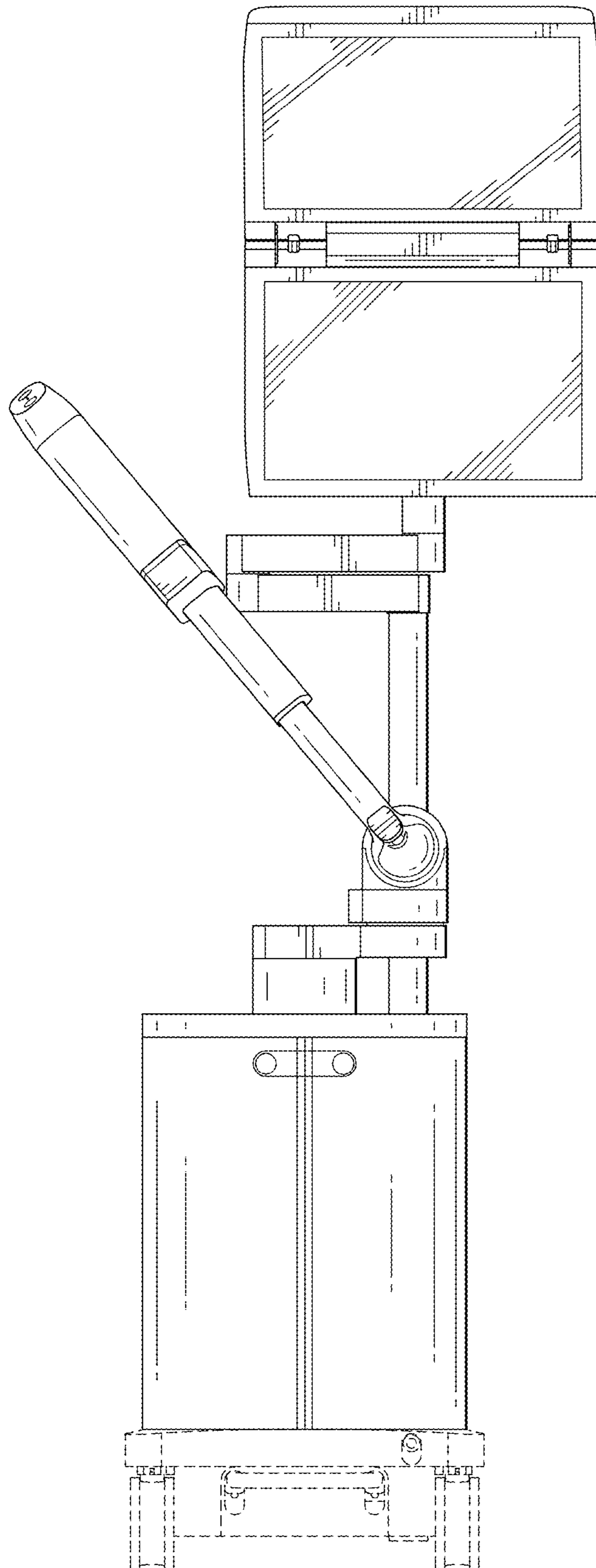


Fig. 2



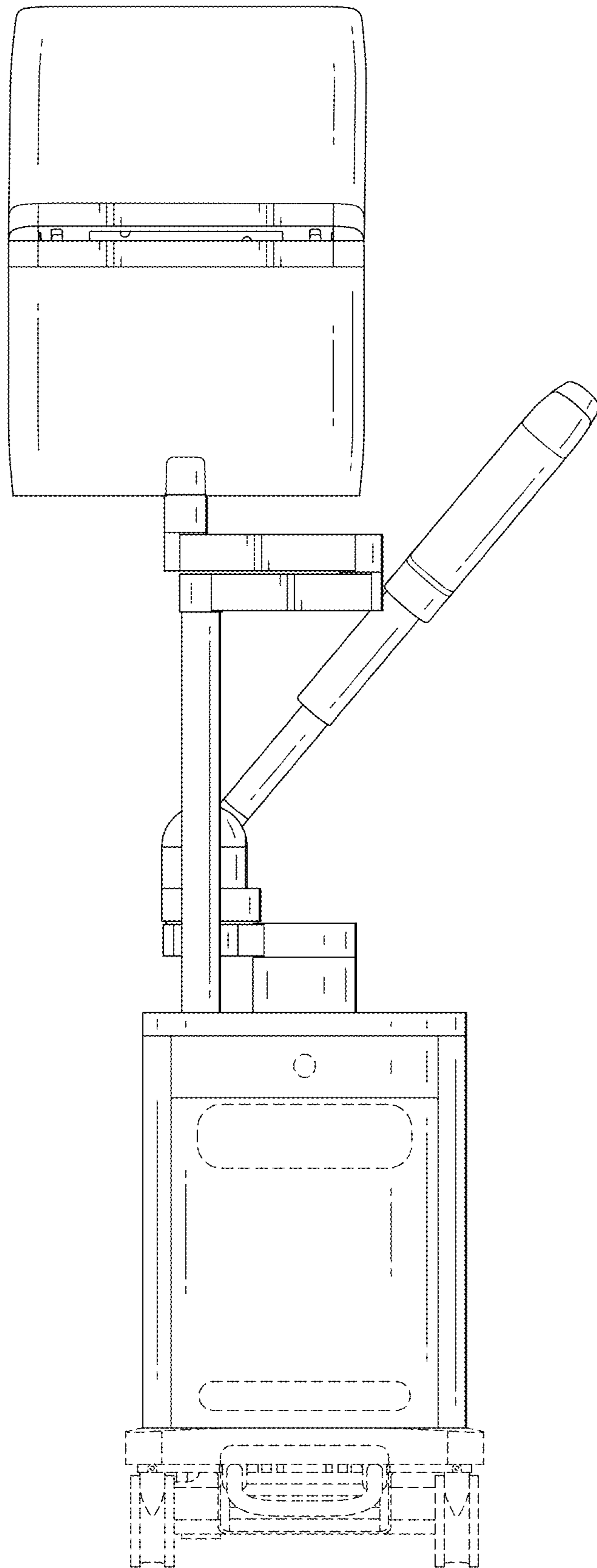


Fig. 3

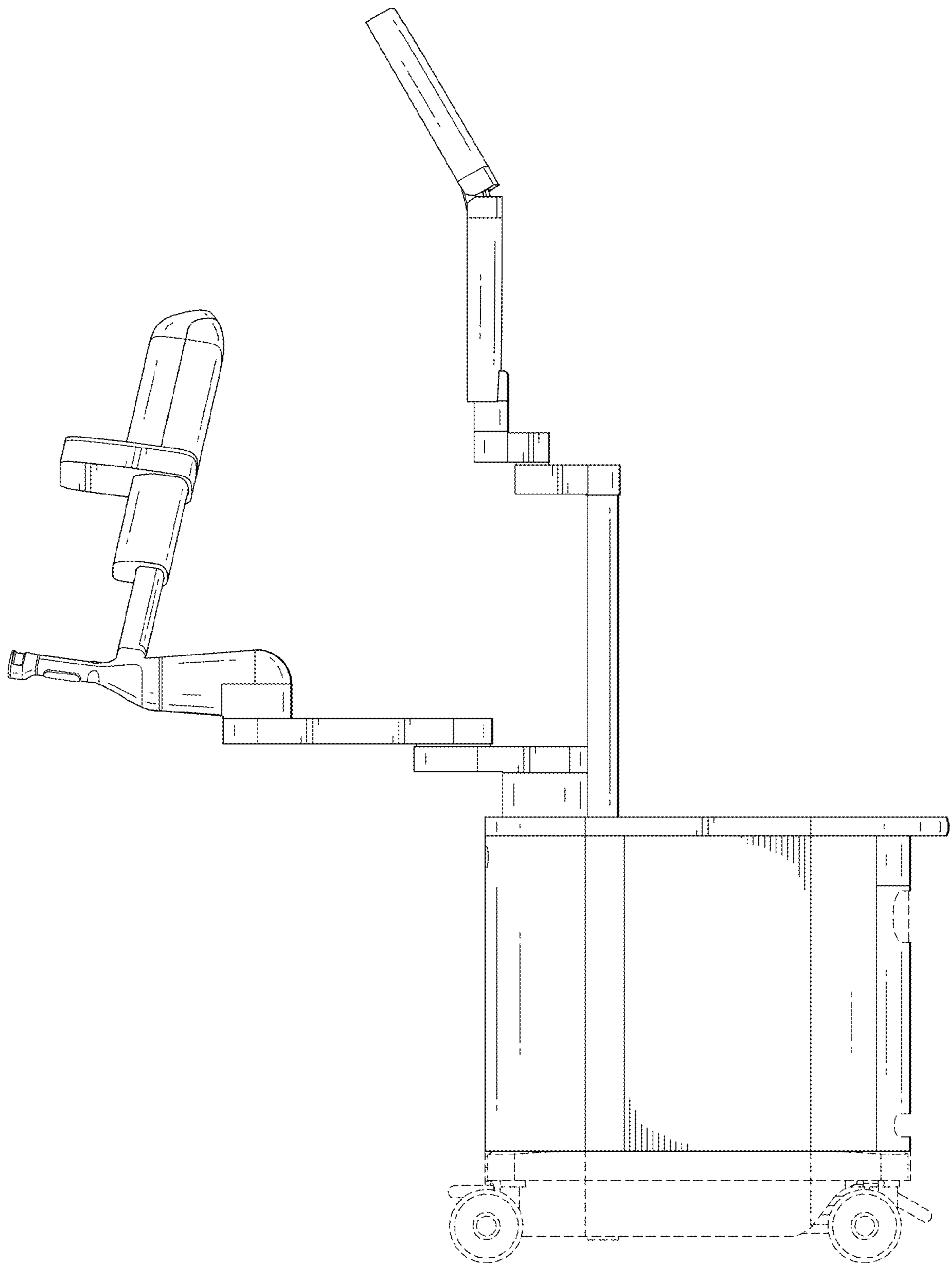


Fig. 4

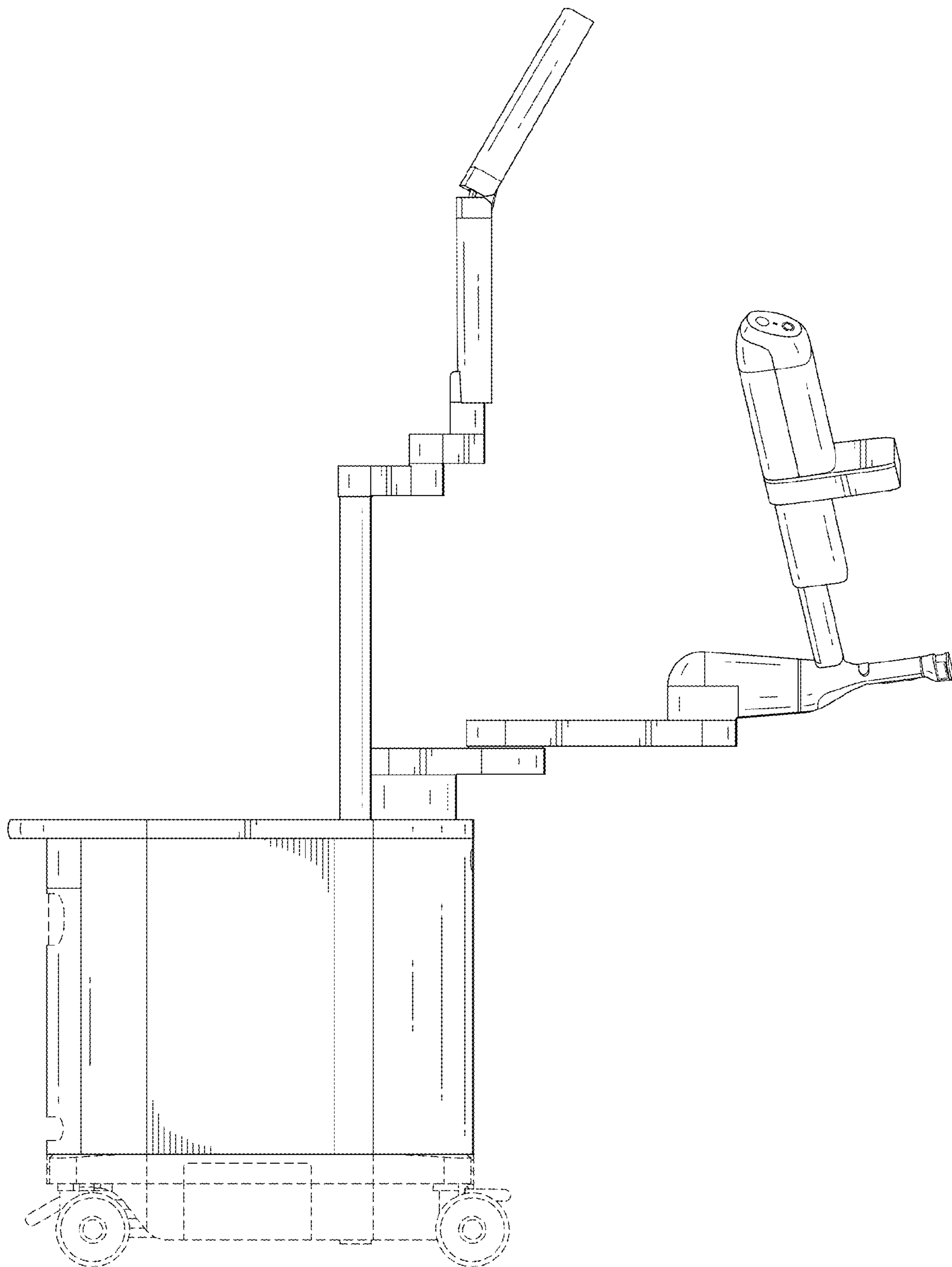


Fig. 5

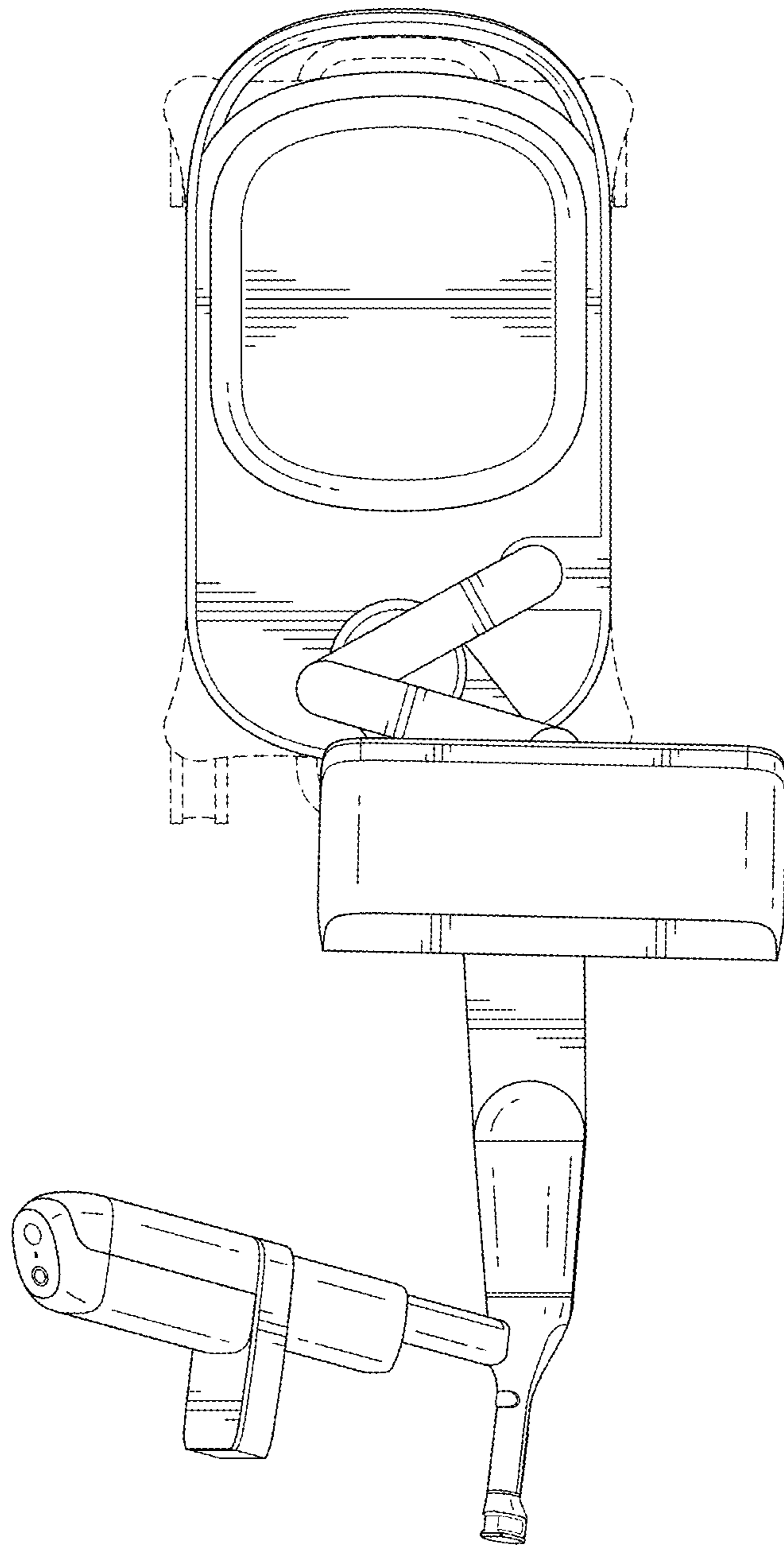


Fig. 6



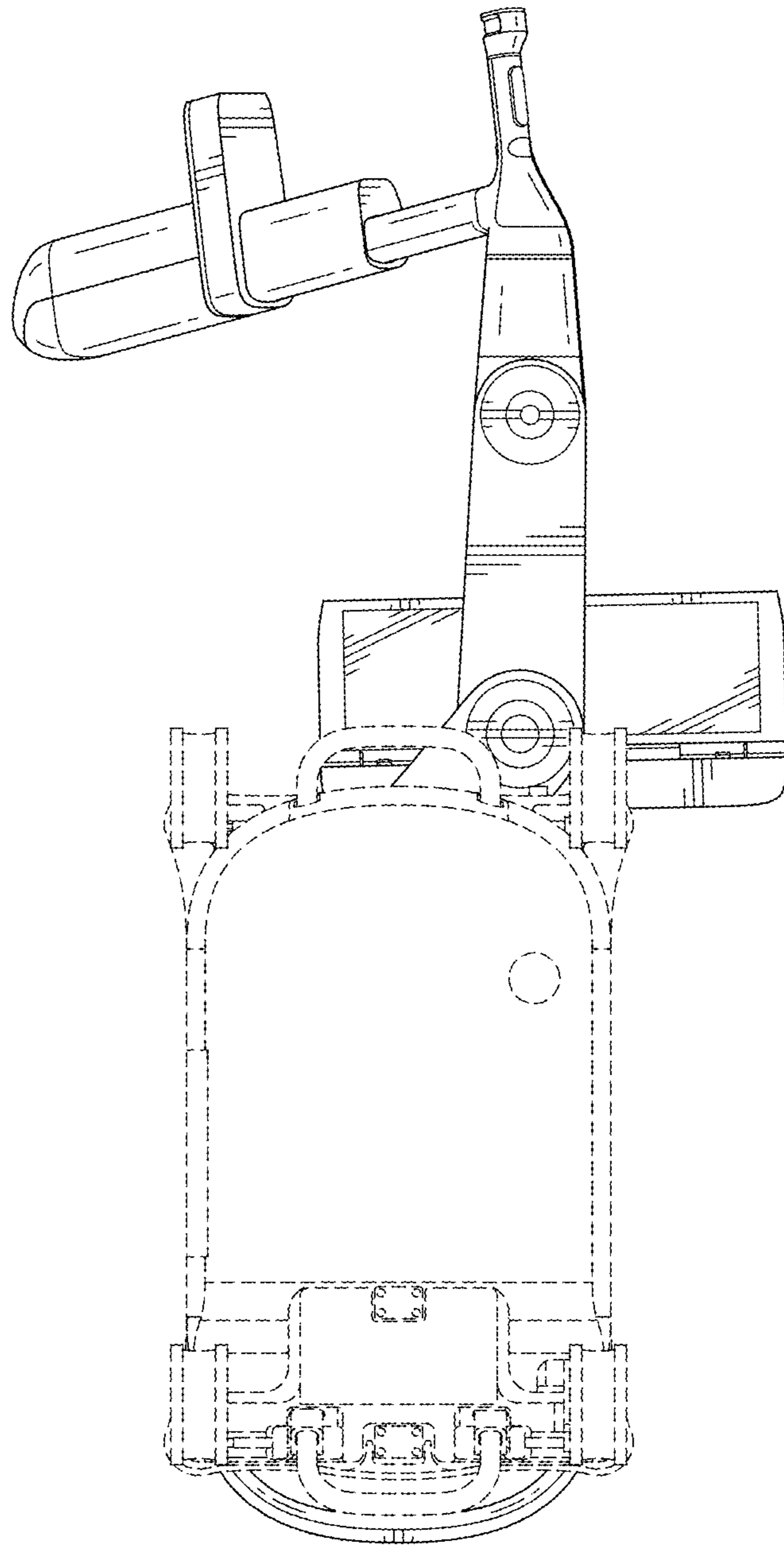


Fig. 7

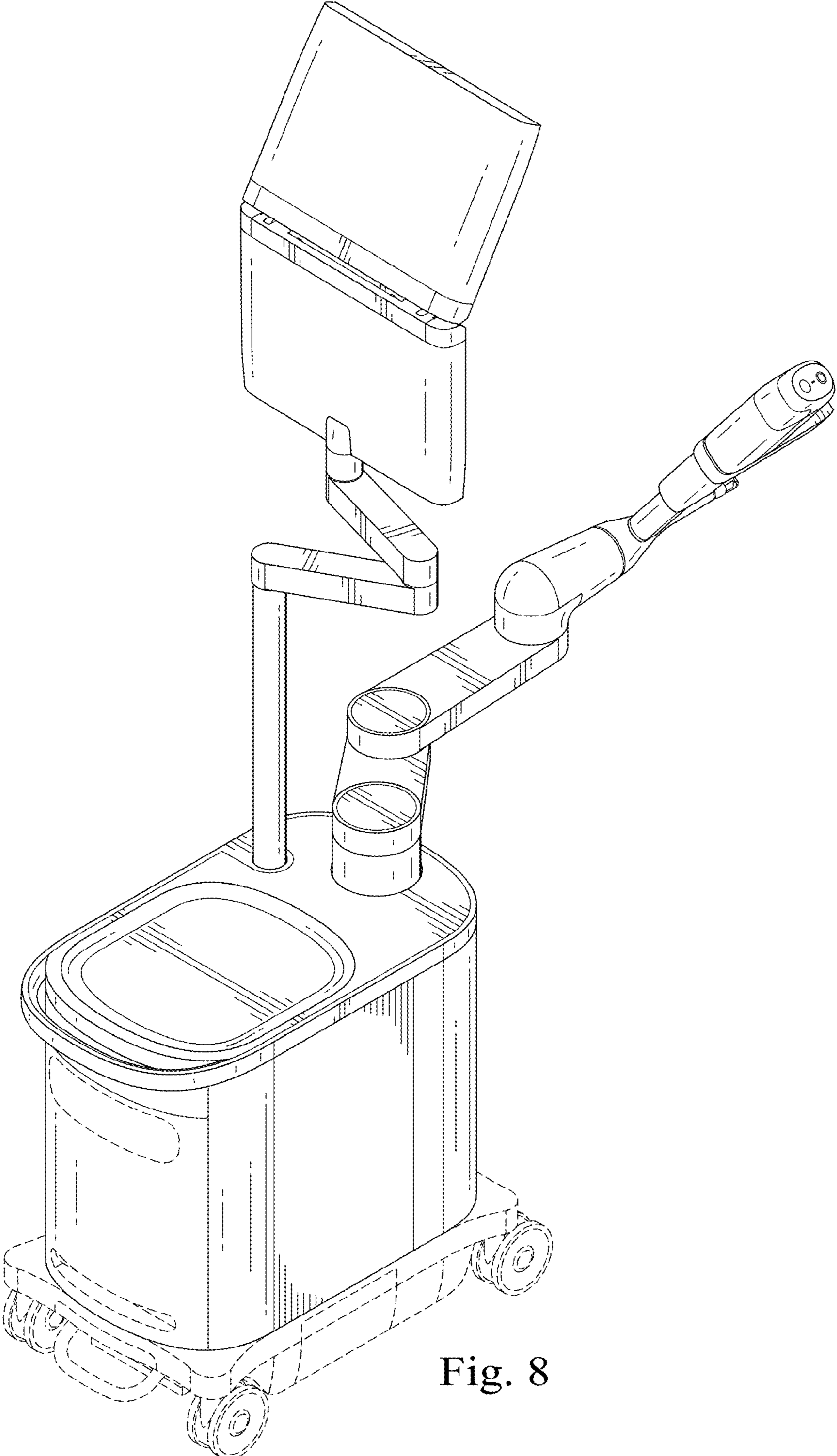


Fig. 8

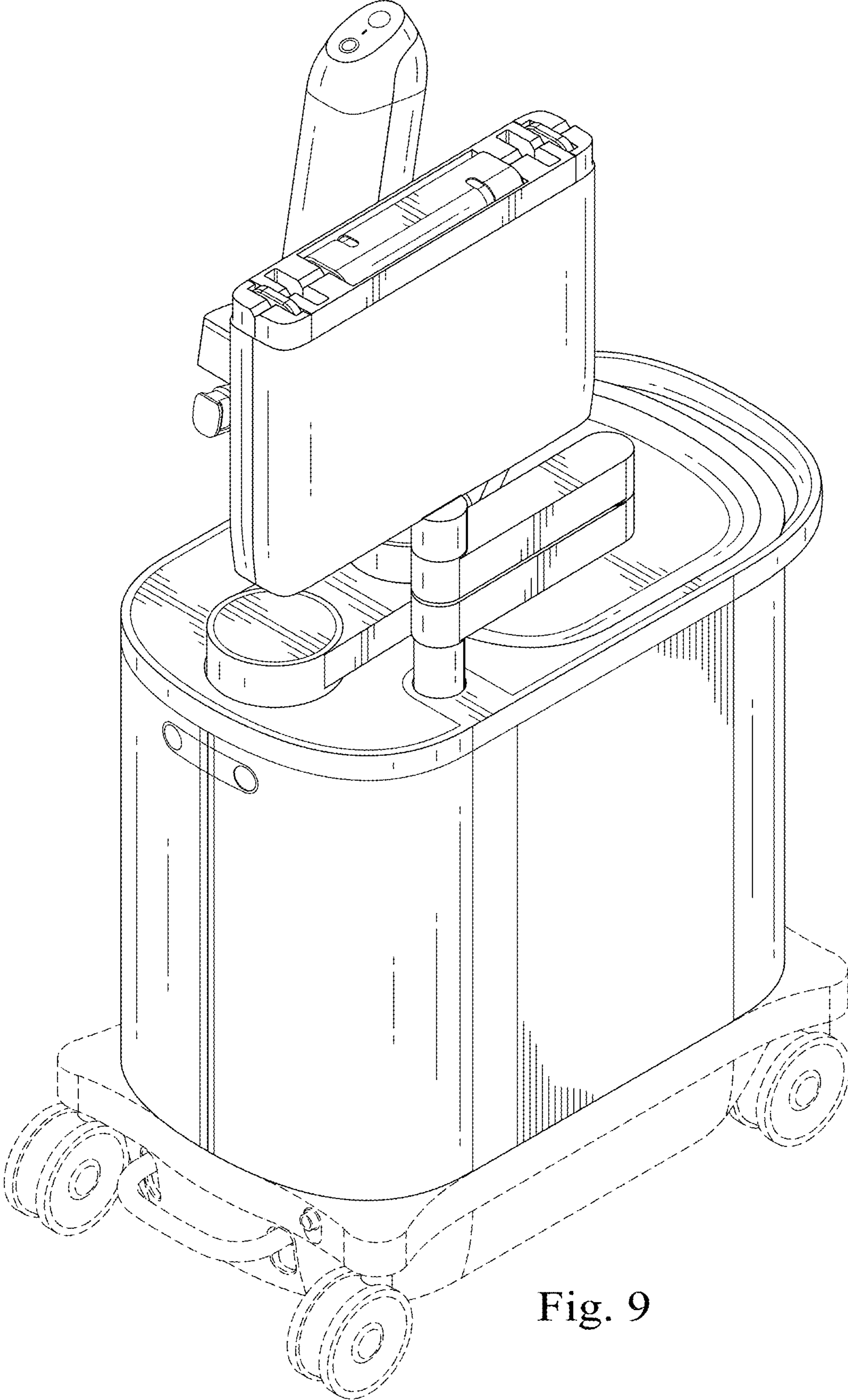


Fig. 9

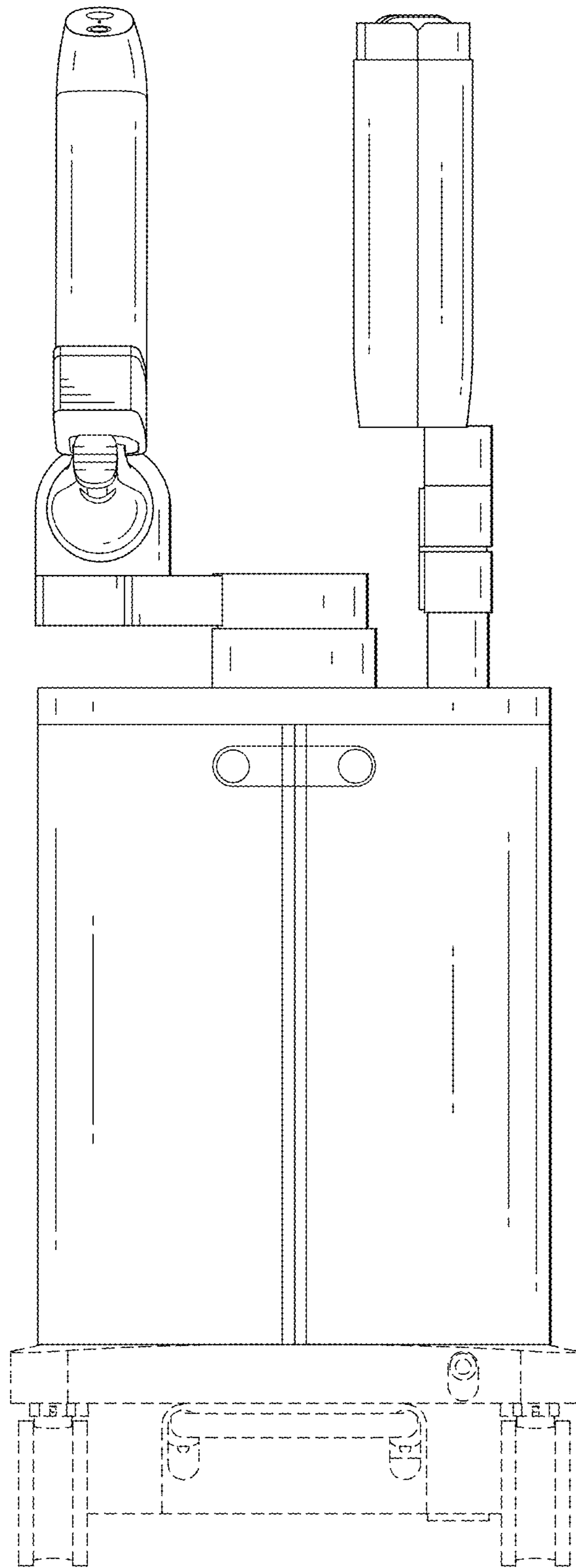


Fig. 10

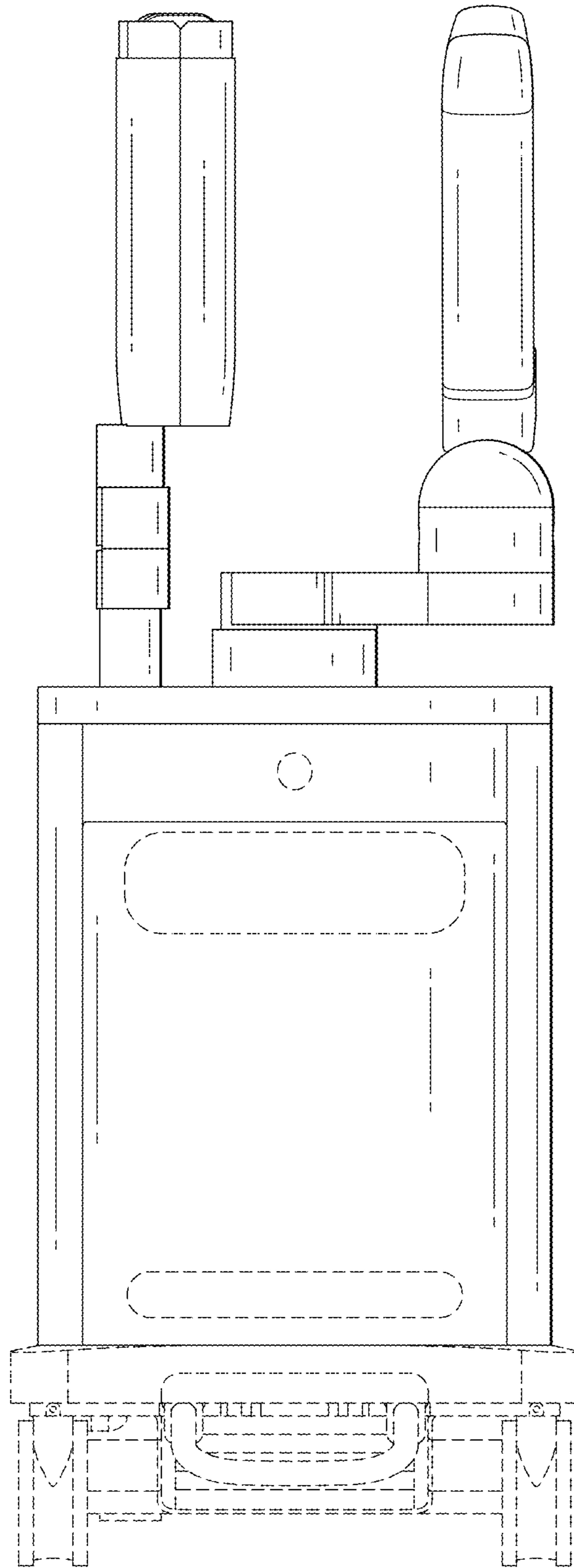


Fig. 11



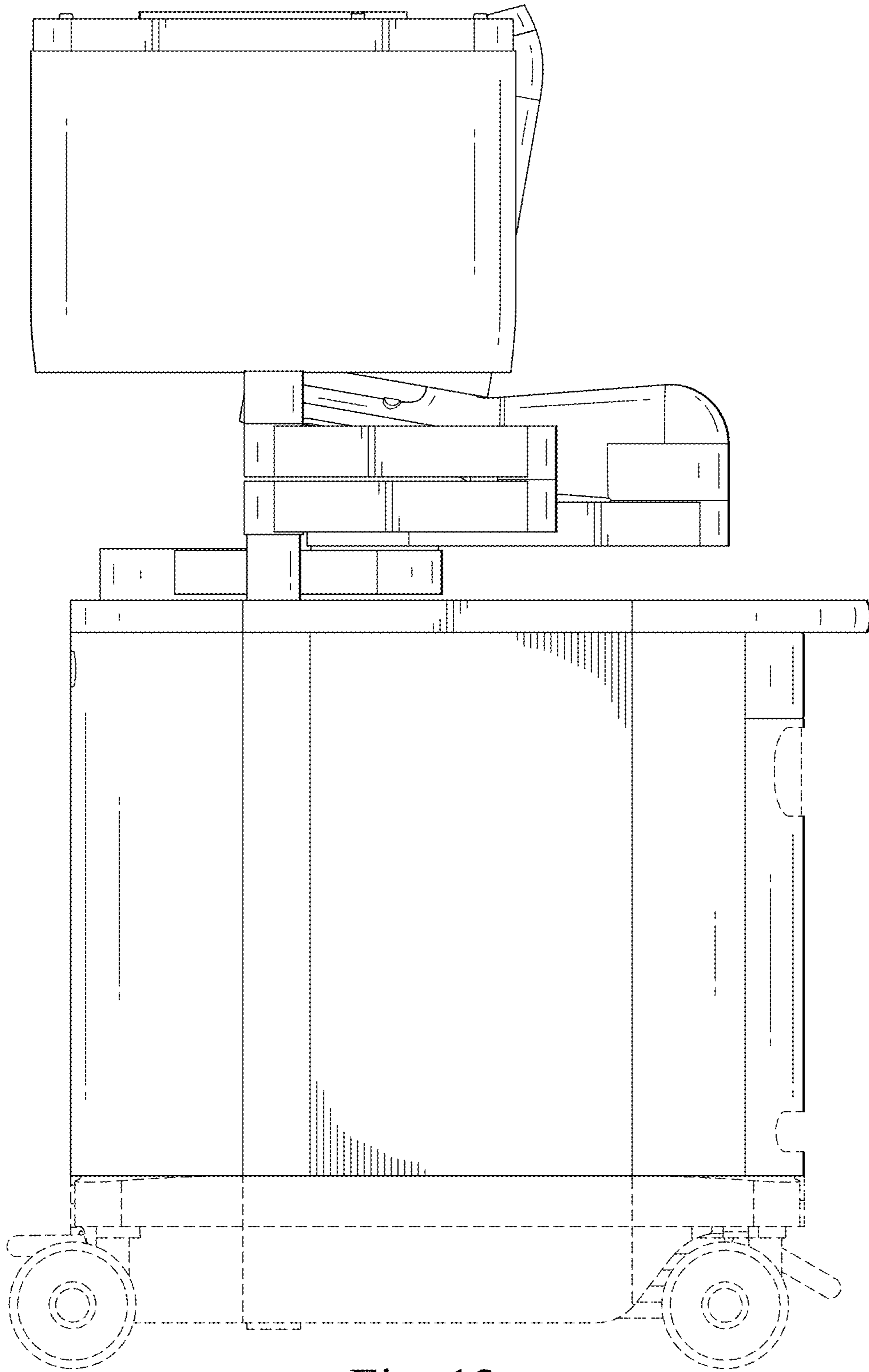


Fig. 12

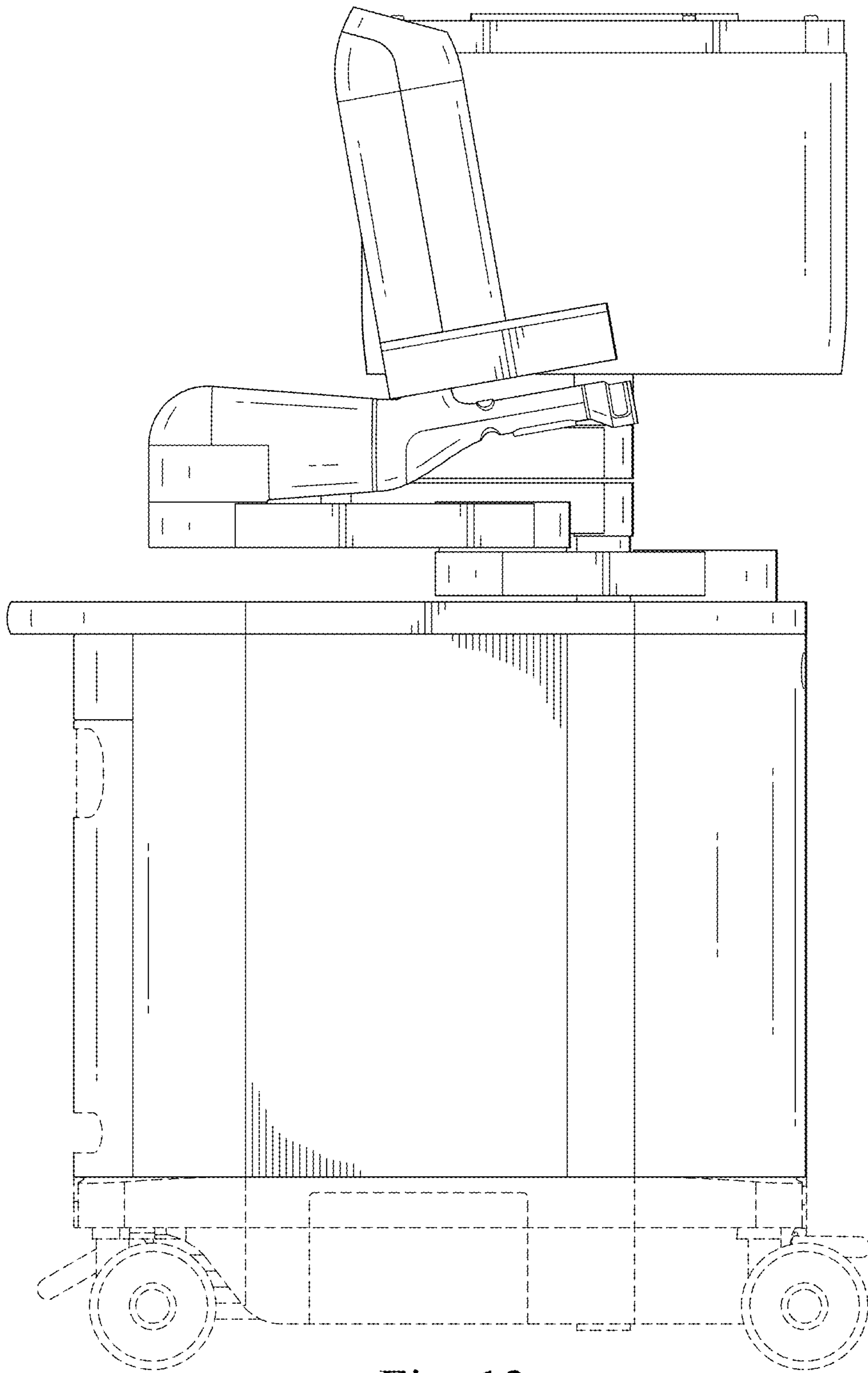


Fig. 13

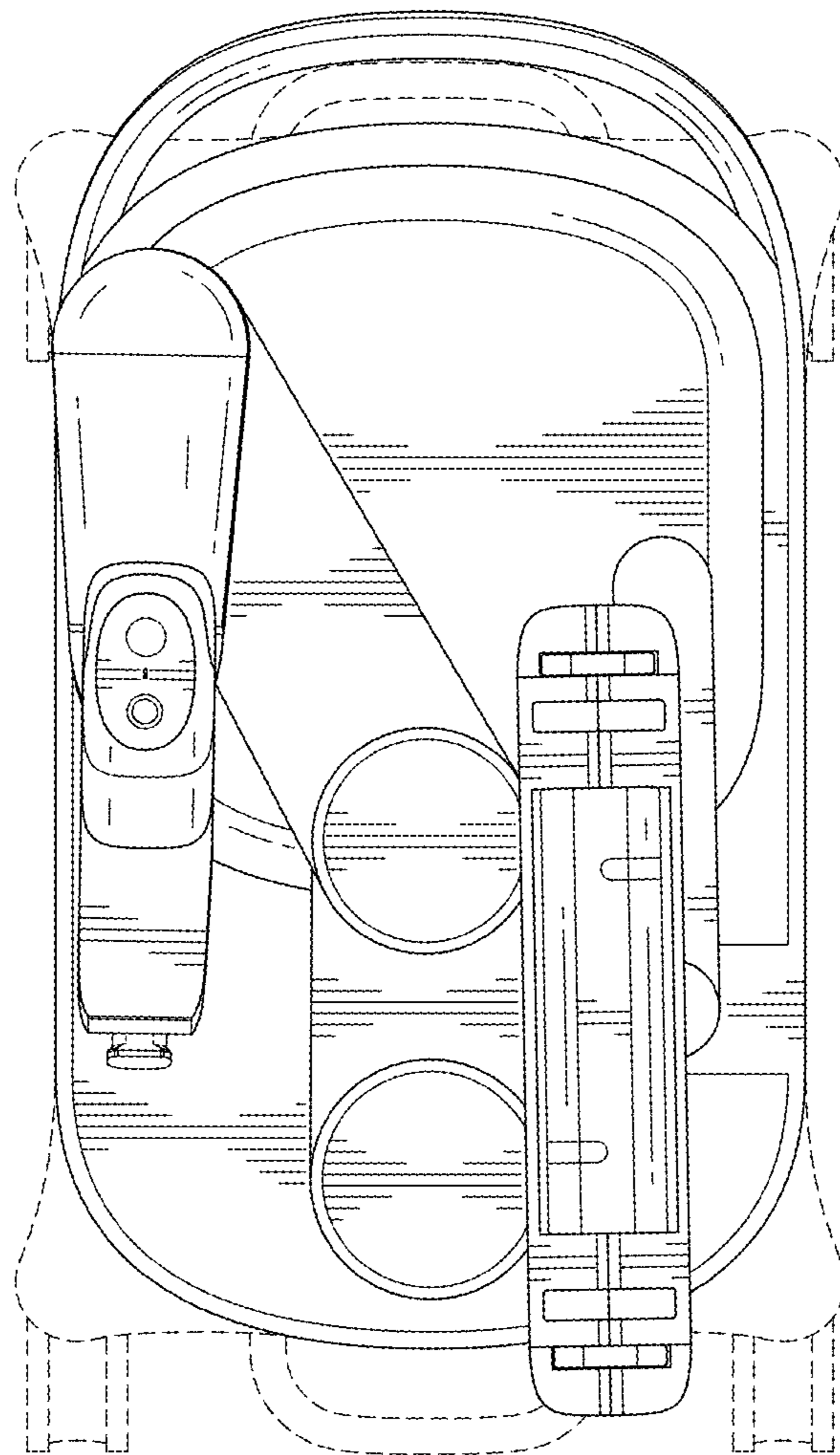


Fig. 14

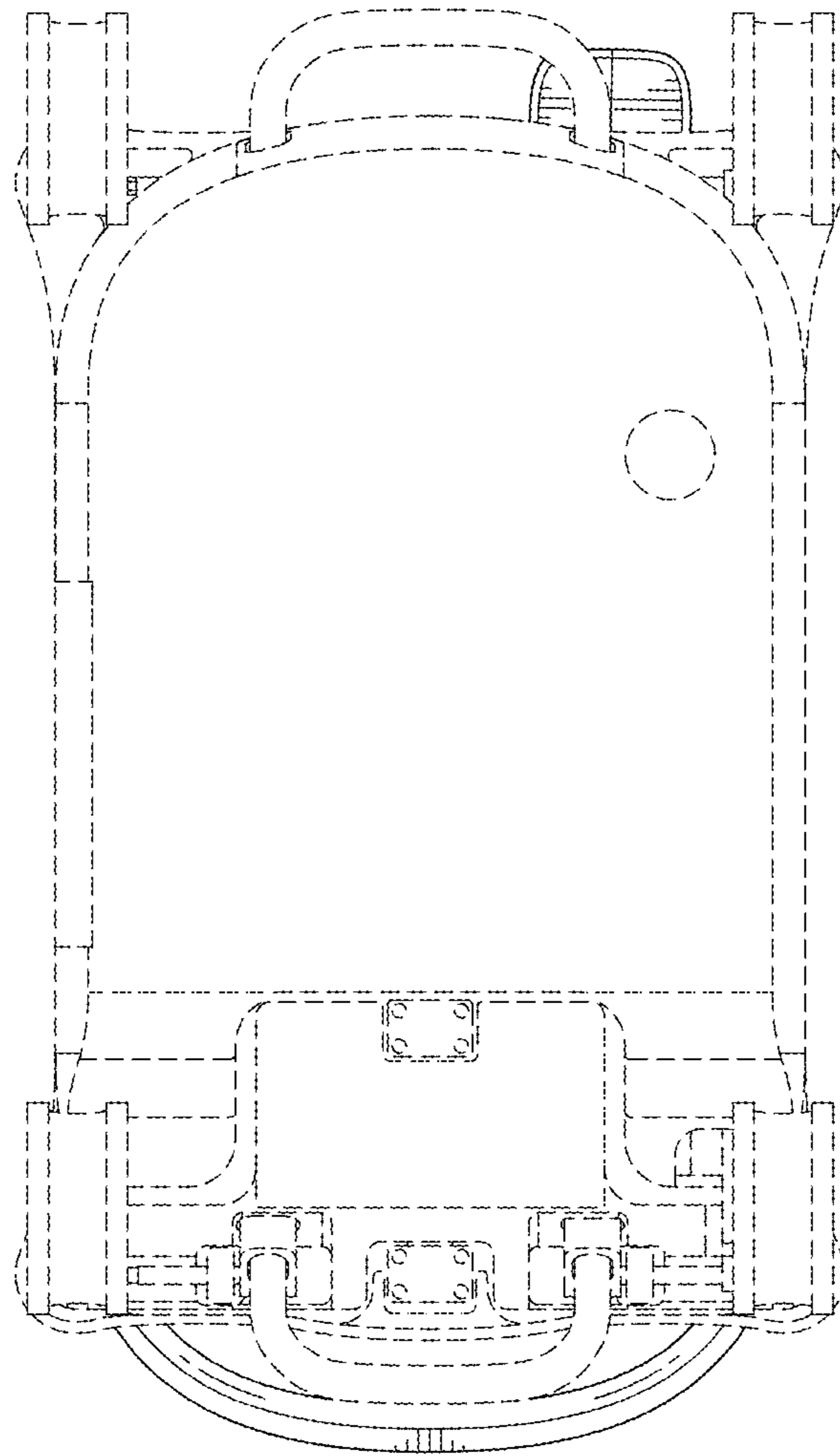


Fig. 15

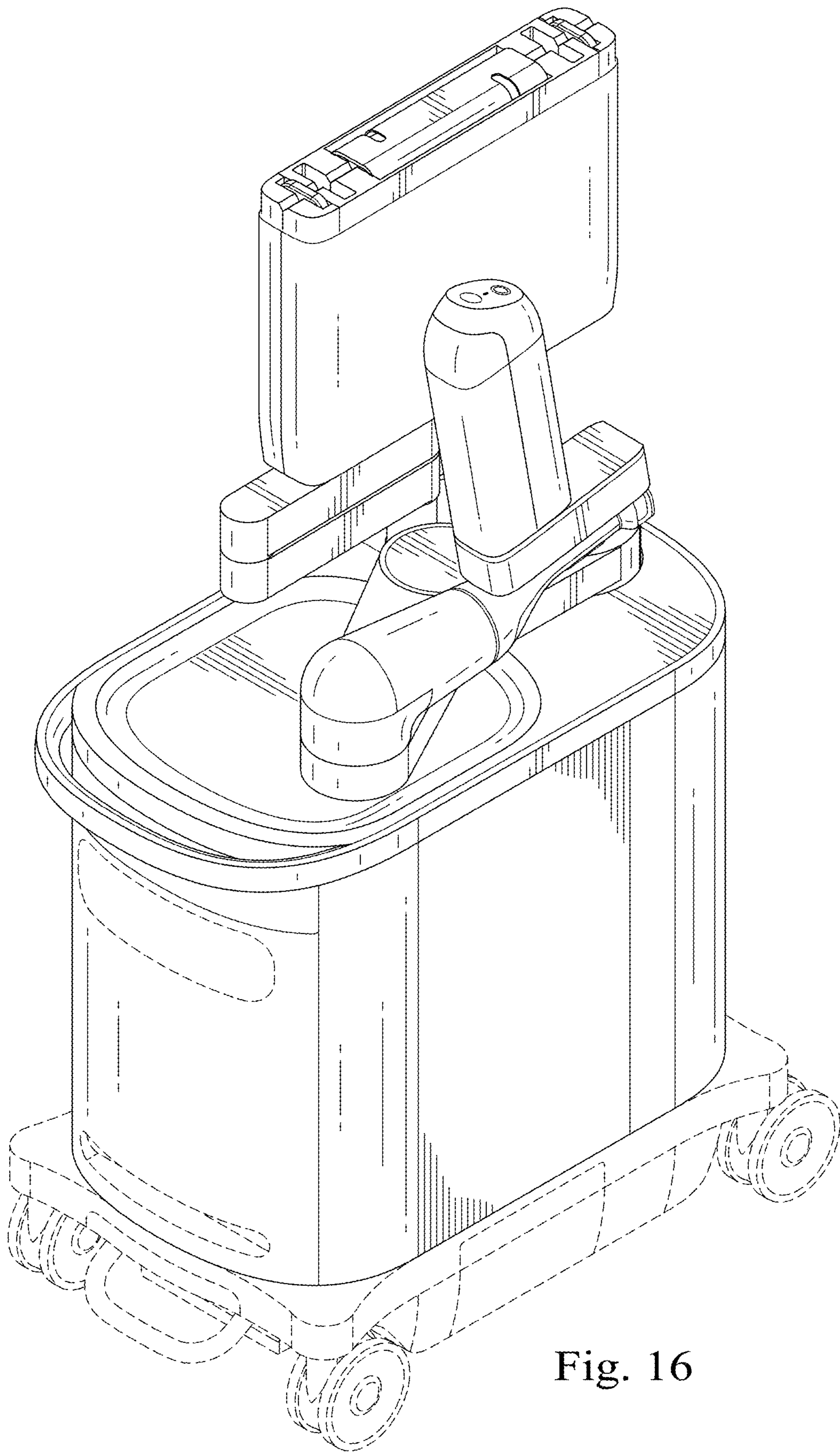


Fig. 16