



US00D897536S

(12) **United States Design Patent**  
**Mathers**

(10) **Patent No.:** **US D897,536 S**

(45) **Date of Patent:** **\*\* Sep. 29, 2020**

(54) **FLUOROMETER**

(71) Applicant: **LIFE TECHNOLOGIES CORPORATION**, Carlsbad, CA (US)

(72) Inventor: **Xin Mathers**, Poway, CA (US)

(73) Assignee: **LIFE TECHNOLOGIES CORPORATION**, Carlsbad, CA (US)

(\*\*) Term: **15 Years**

(21) Appl. No.: **29/695,513**

(22) Filed: **Jun. 19, 2019**

(51) **LOC (12) Cl.** ..... **24-01**

(52) **U.S. Cl.**  
USPC ..... **D24/169**; D24/216

(58) **Field of Classification Search**  
USPC ..... D24/107, 169, 186, 216, 219, 231, 232;  
D10/78, 81  
CPC ..... G01N 2035/00306; G01N 2035/00326;  
G01N 2035/00336; G01N 2030/027;  
G01N 21/76; G01N 33/50; G01N 35/025;  
G01N 21/645; G01N 2021/6463; G01N  
2021/6482; G01N 2201/068; G01J 3/4406  
See application file for complete search history.

(56) **References Cited**

**U.S. PATENT DOCUMENTS**

D580,285 S \* 11/2008 Hendrickson ..... D24/169  
D653,981 S \* 2/2012 Beaudet ..... D10/81  
D736,111 S \* 8/2015 Klein ..... D24/169

9,261,459 B1 \* 2/2016 Tokhtuev ..... G01N 21/6428  
D796,357 S \* 9/2017 Park ..... D24/169  
2016/0290866 A1 \* 10/2016 Kielhorn ..... G01N 21/645

\* cited by examiner

*Primary Examiner* — Anhdao Doan

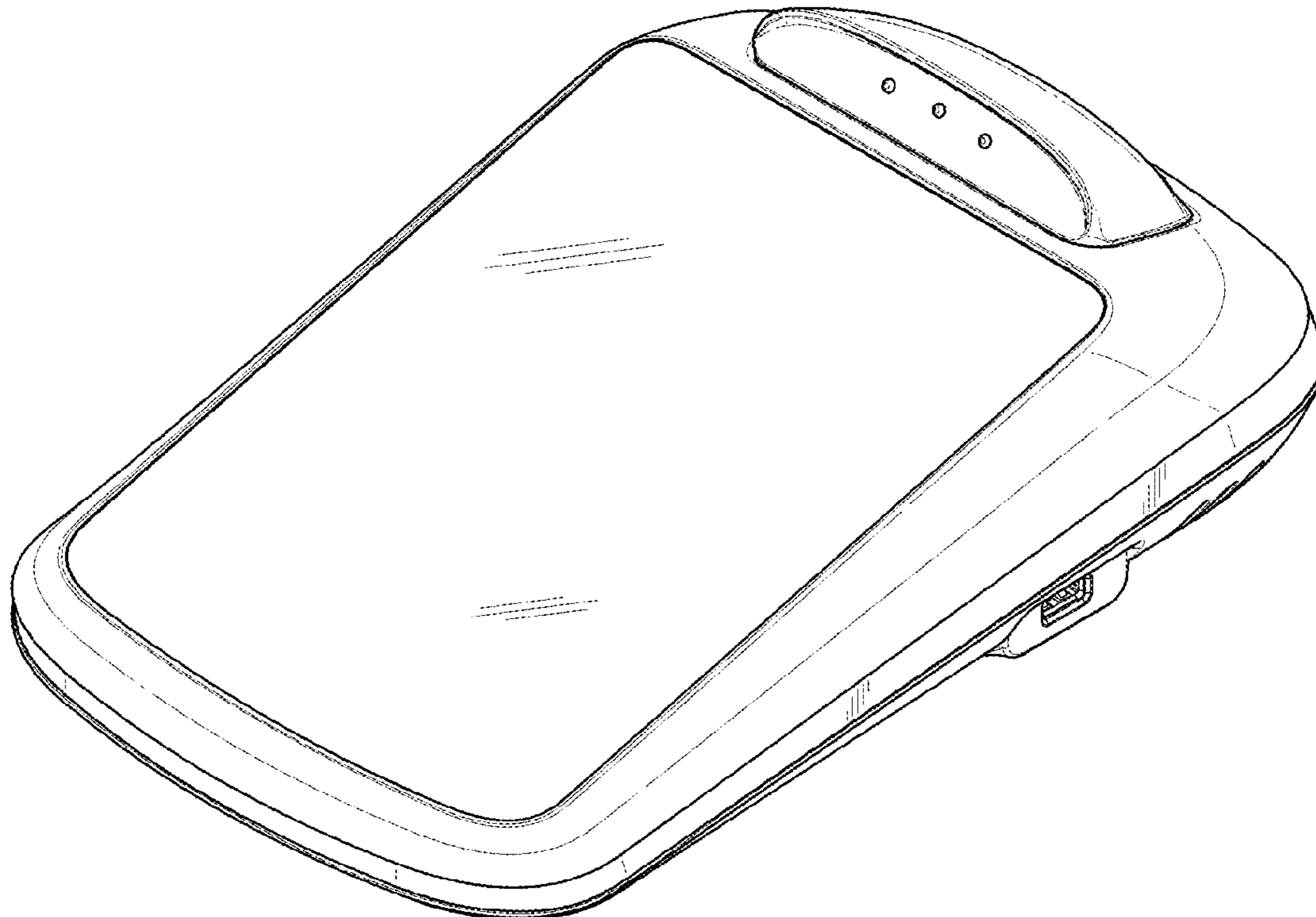
(57) **CLAIM**

The ornamental design for a fluorometer, as shown and described.

**DESCRIPTION**

FIG. 1 is a front perspective view of a first embodiment of a fluorometer;  
FIG. 2 is a front view thereof;  
FIG. 3 is a rear view thereof;  
FIG. 4 is a right side view thereof;  
FIG. 5 is a left side view thereof;  
FIG. 6 is a top view thereof;  
FIG. 7 is a bottom view thereof;  
FIG. 8 is a second front perspective view thereof;  
FIG. 9 is a front perspective view of a second embodiment of a fluorometer;  
FIG. 10 is a front view thereof;  
FIG. 11 is a rear view thereof;  
FIG. 12 is a right side view thereof;  
FIG. 13 is a left side view thereof;  
FIG. 14 is a top view thereof;  
FIG. 15 is a bottom view thereof; and,  
FIG. 16 is a second front perspective view thereof.  
The broken lines in the Figures show portions of the fluorometer that form no part of the claimed design.

**1 Claim, 16 Drawing Sheets**



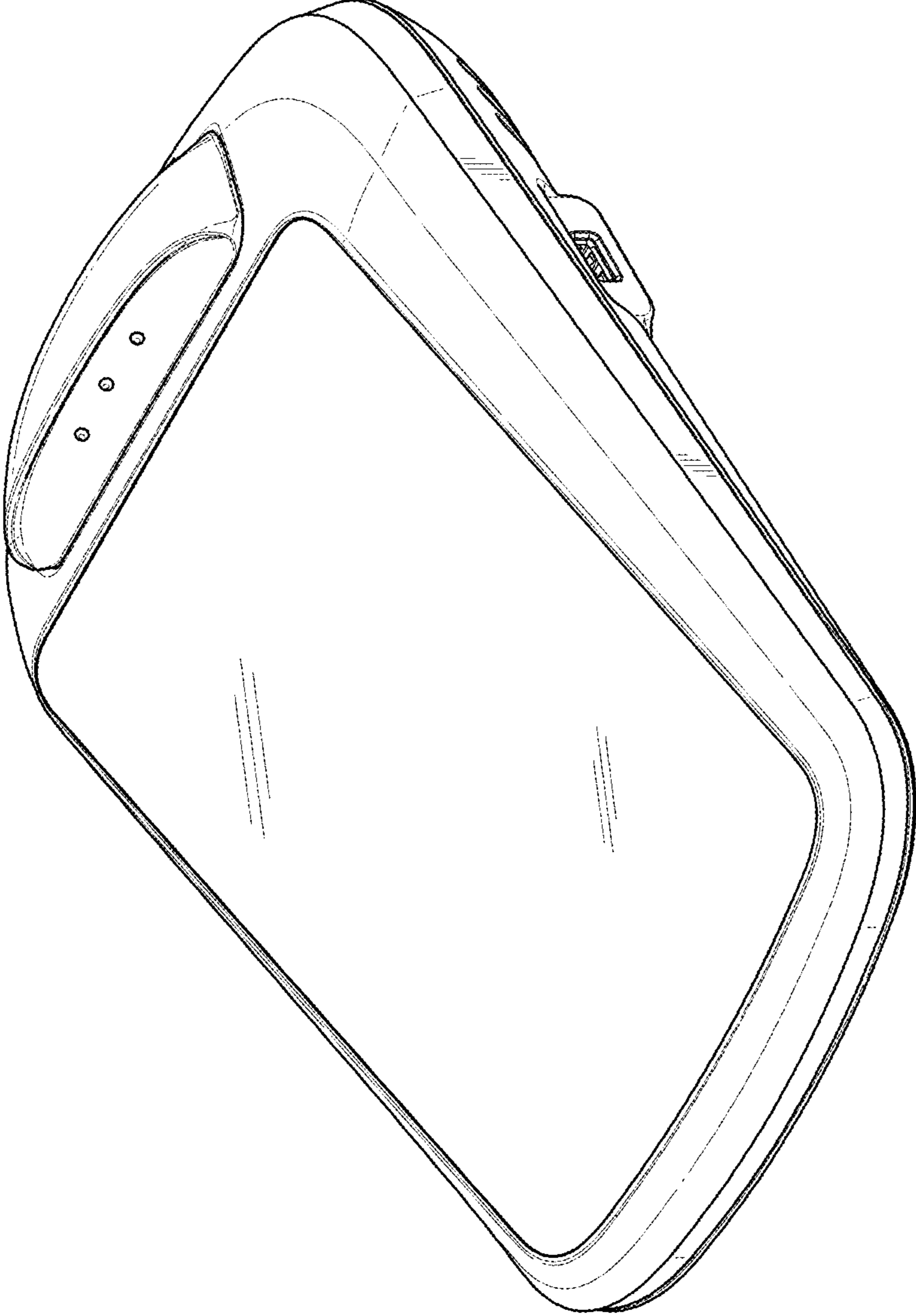


FIG. 1

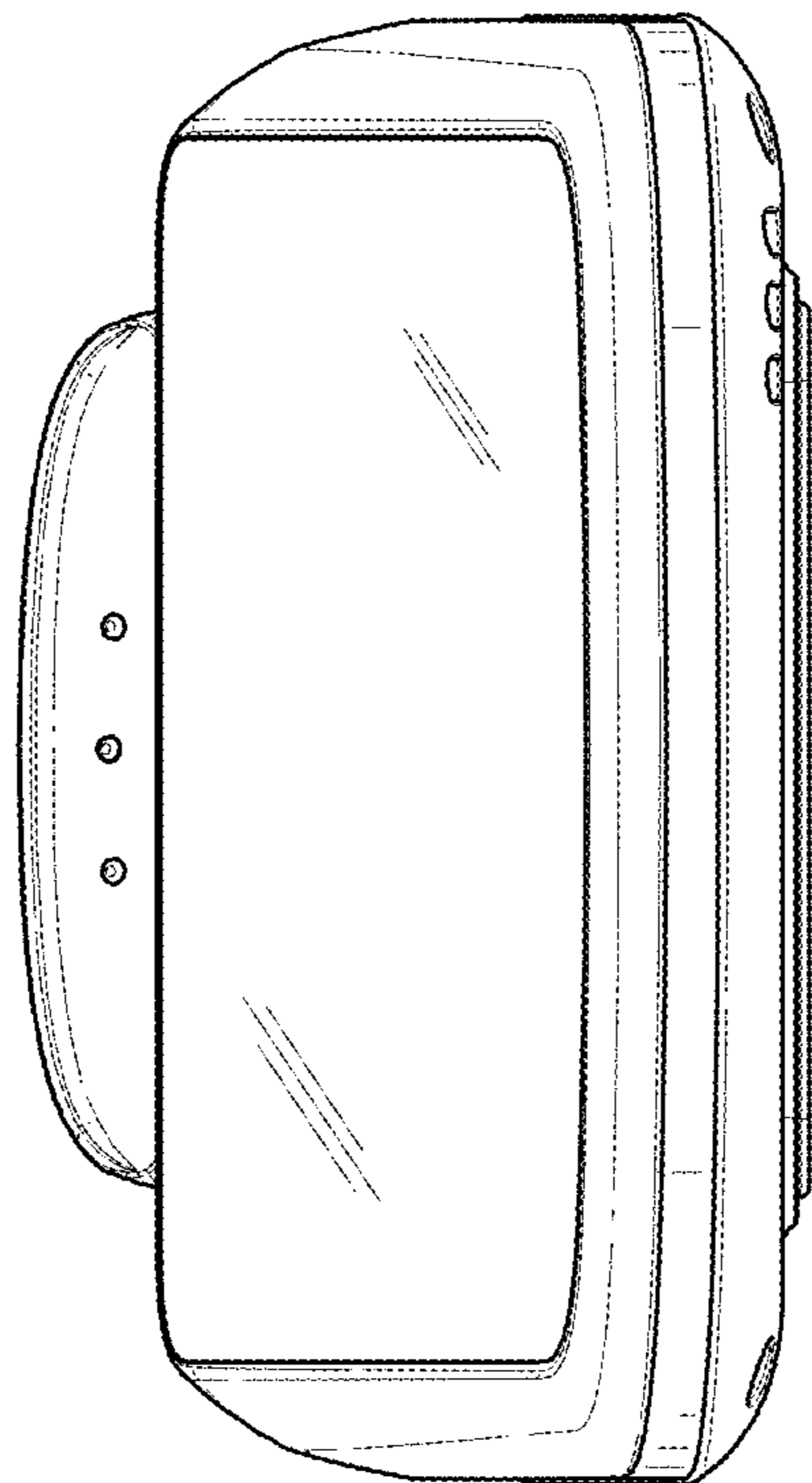


FIG. 2

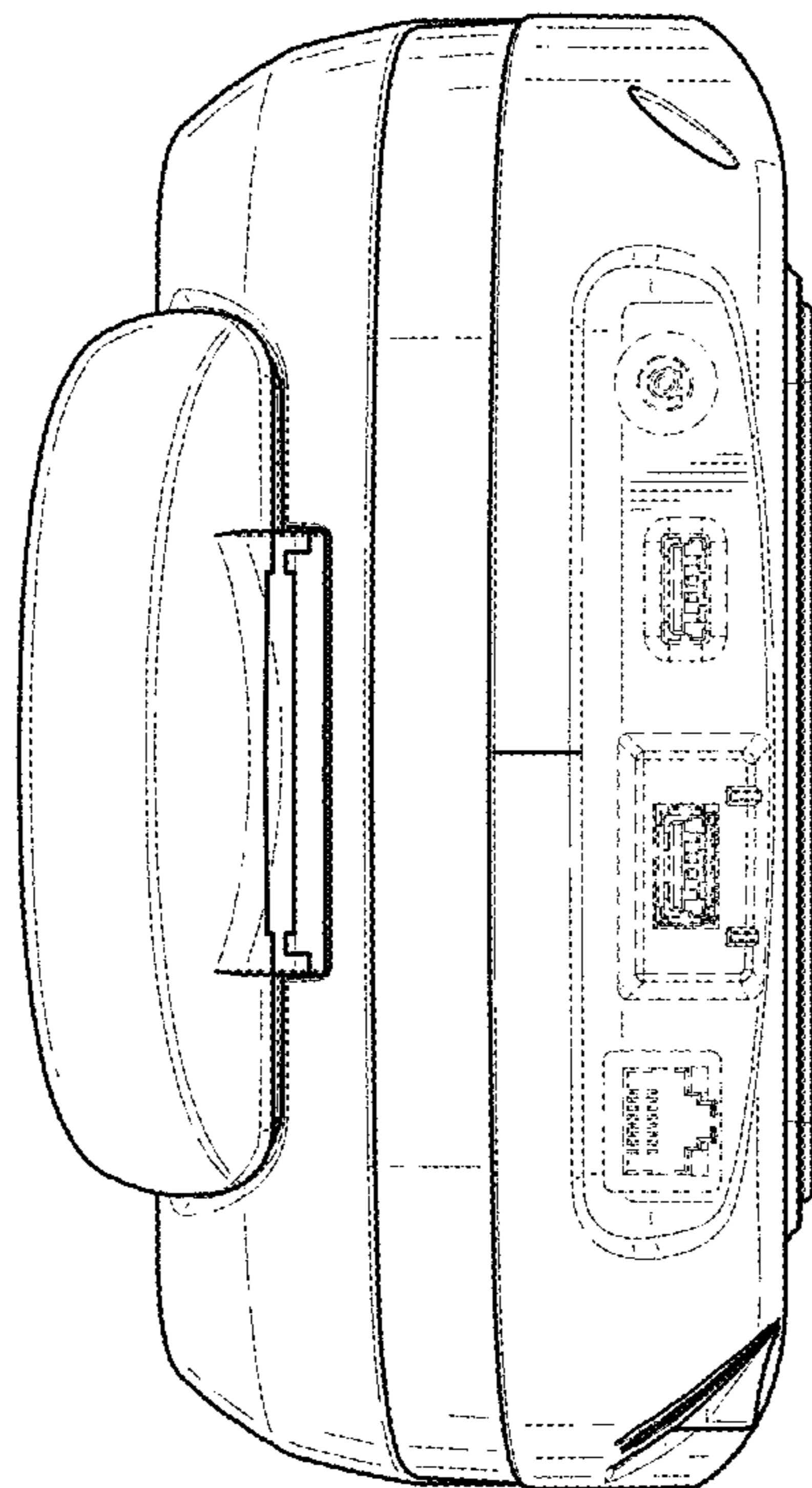


FIG. 3

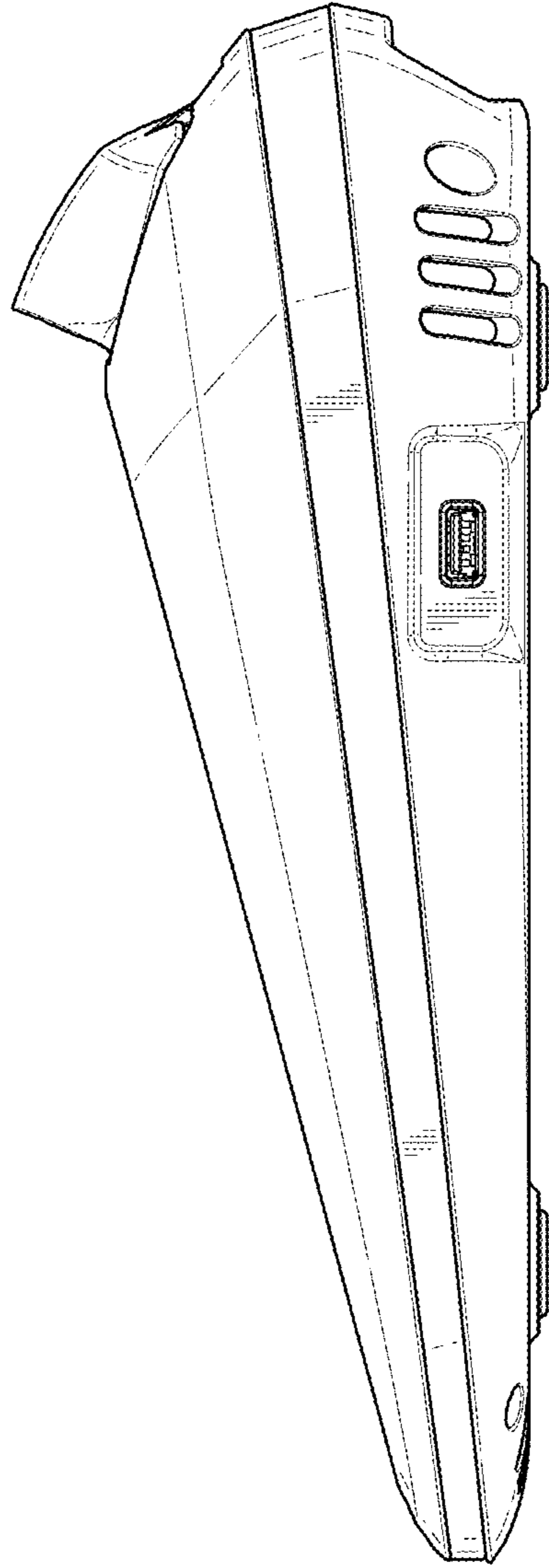


FIG. 4

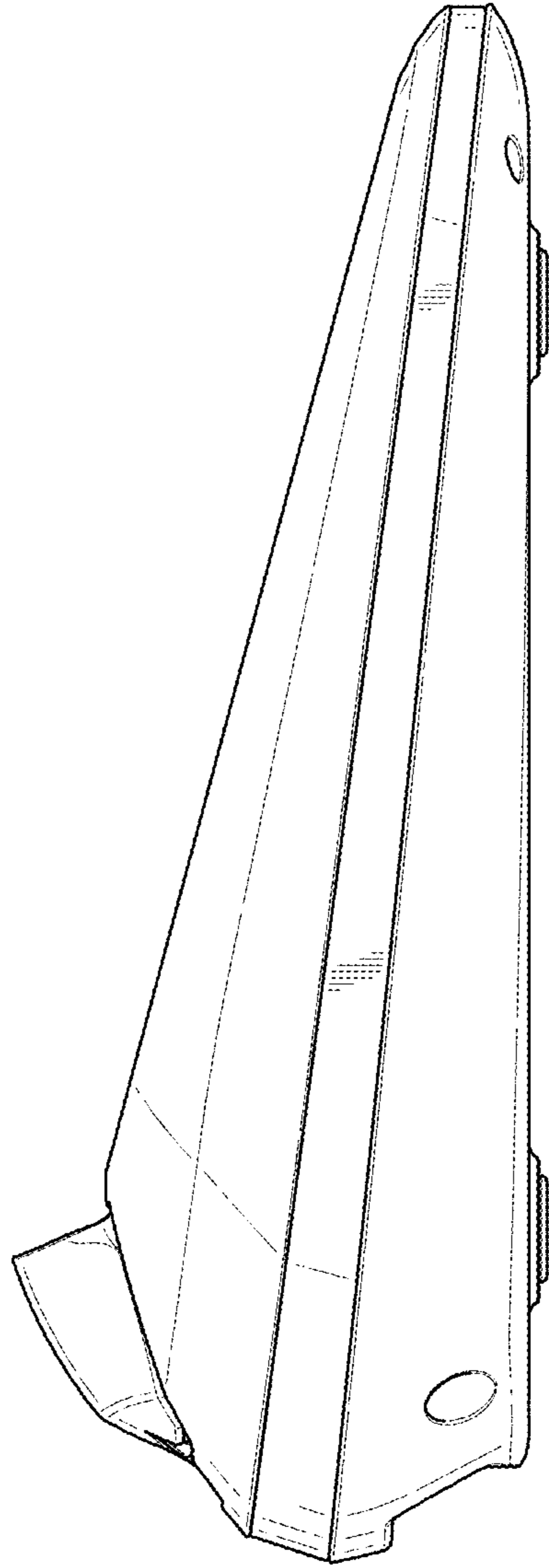


FIG. 5

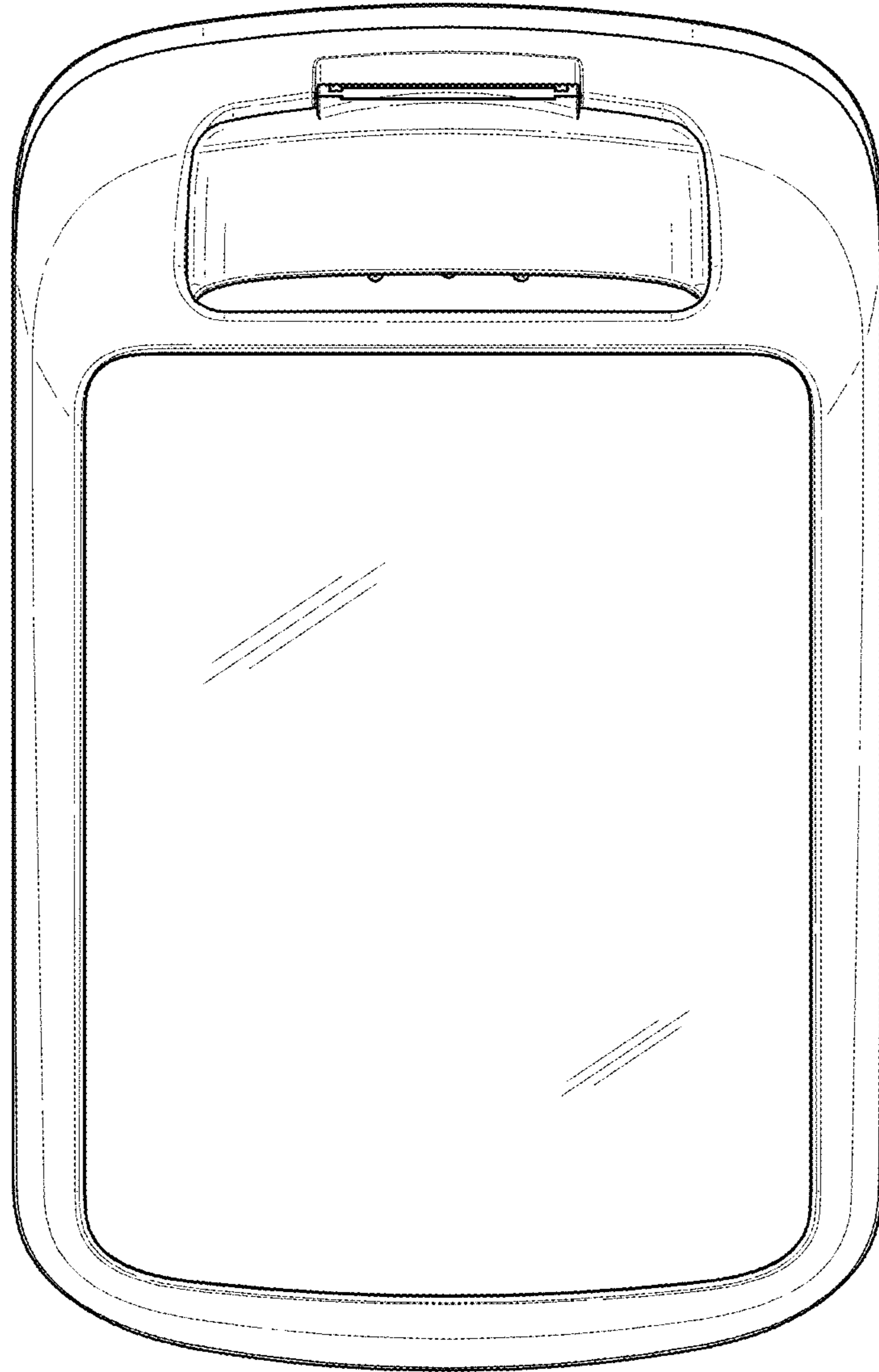


FIG. 6

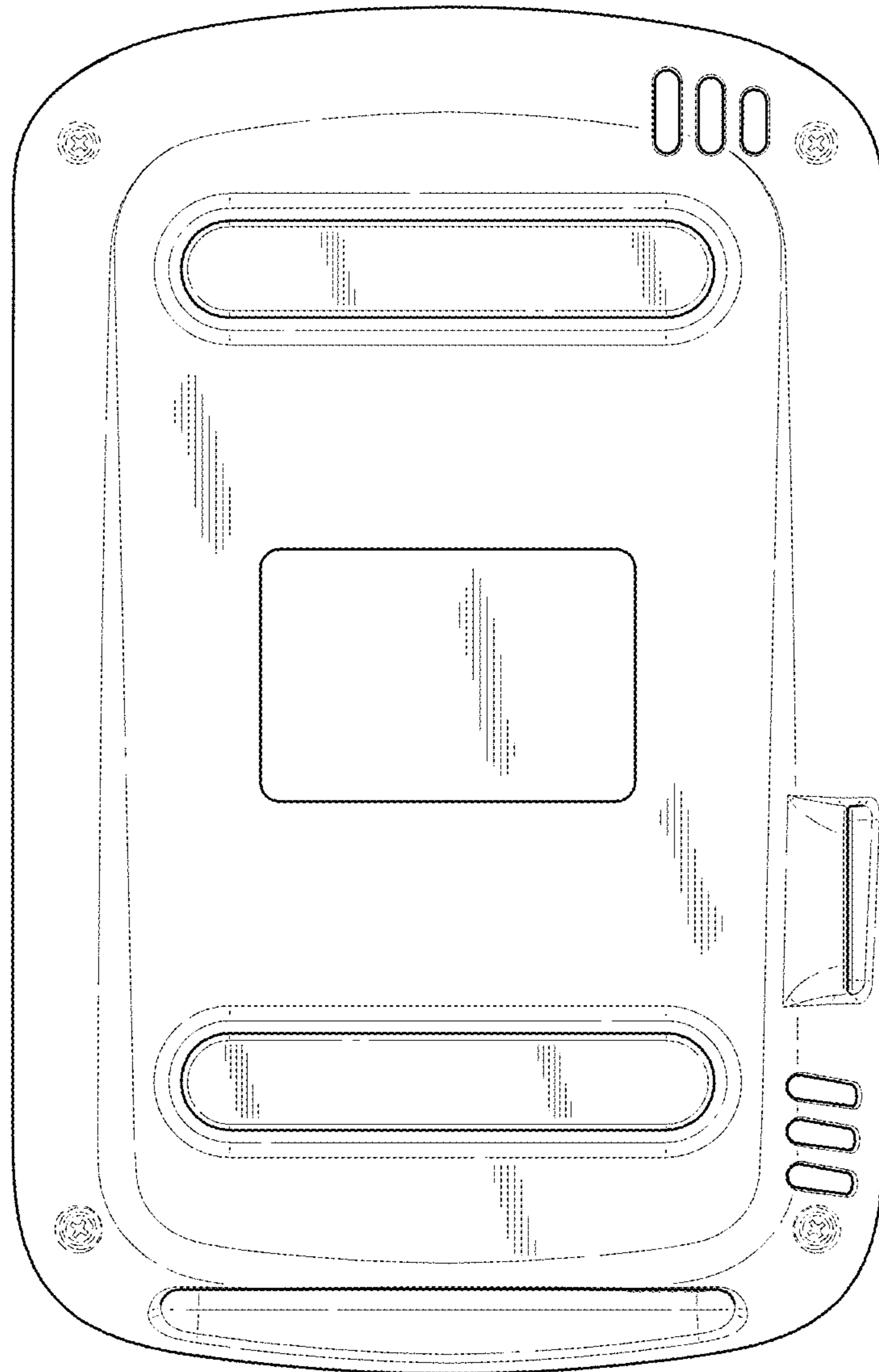


FIG. 7



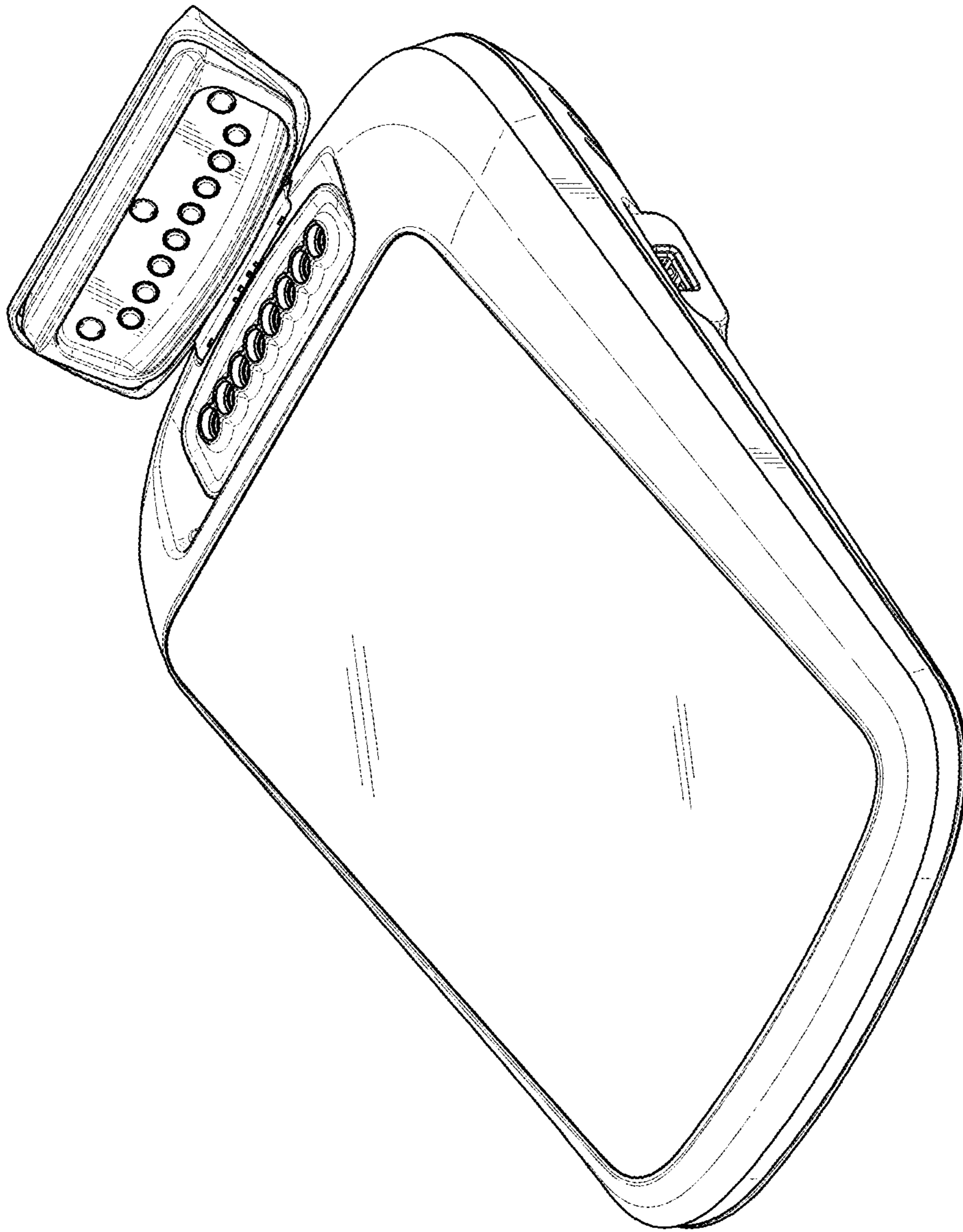


FIG. 8

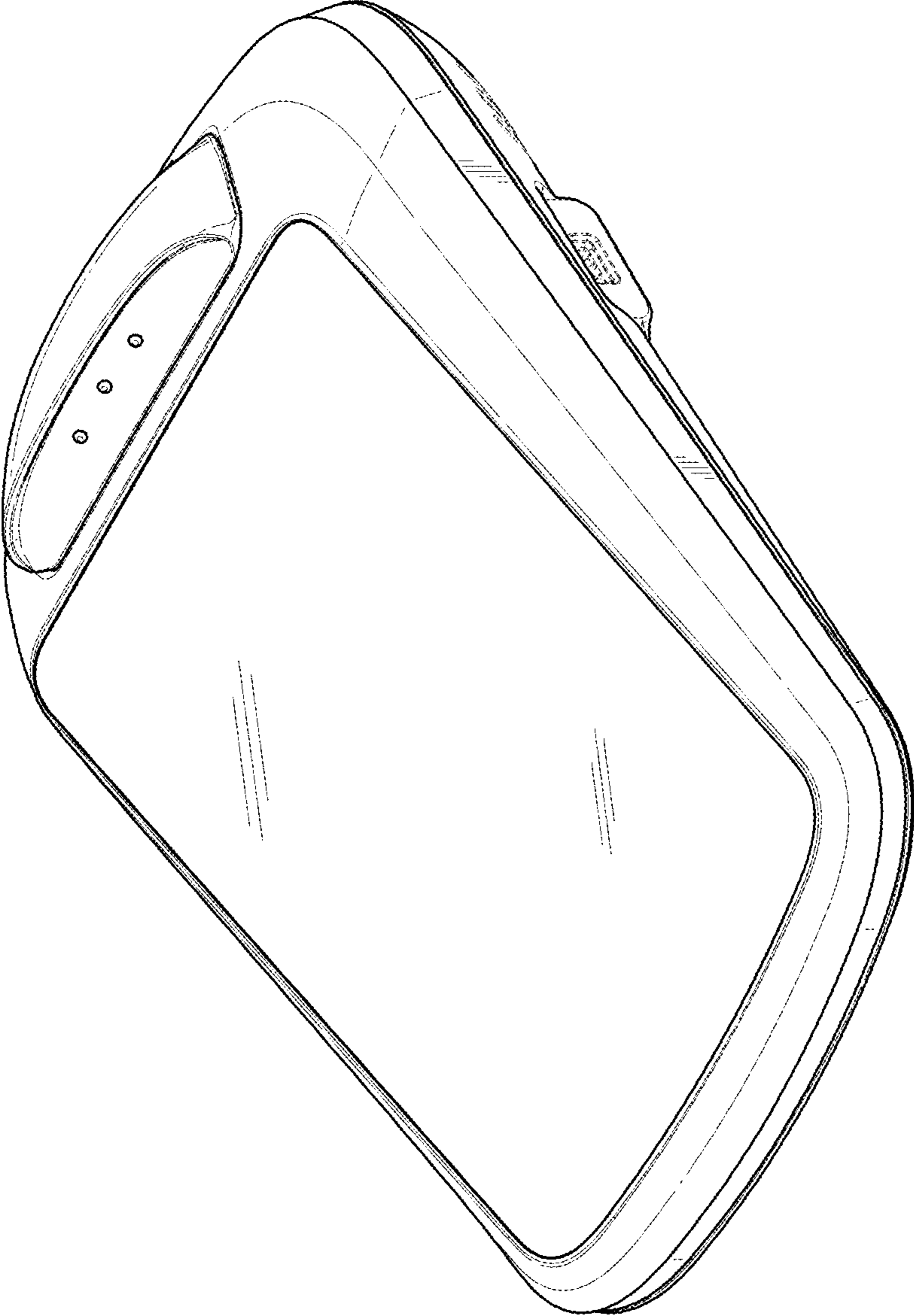


FIG. 9

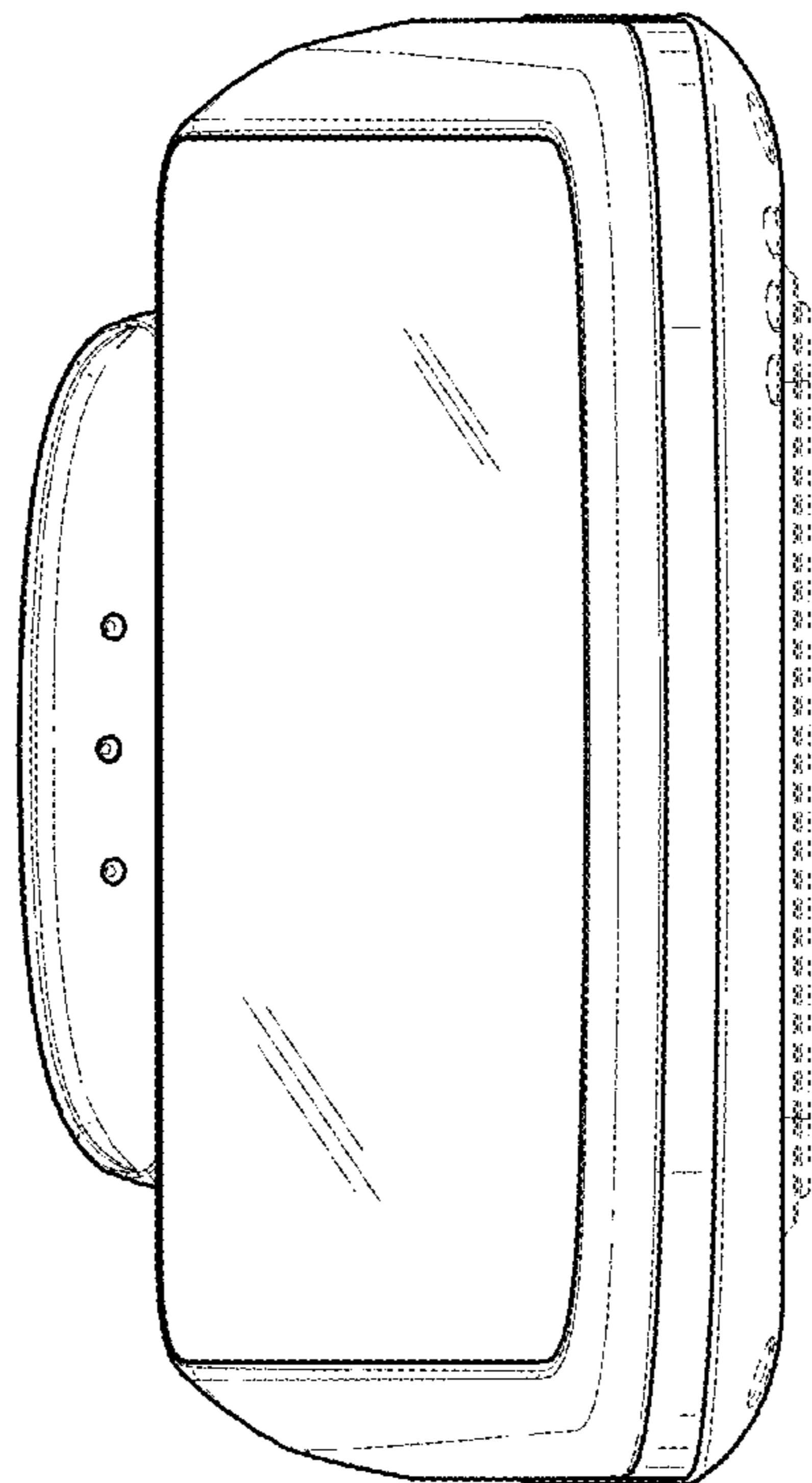


FIG. 10

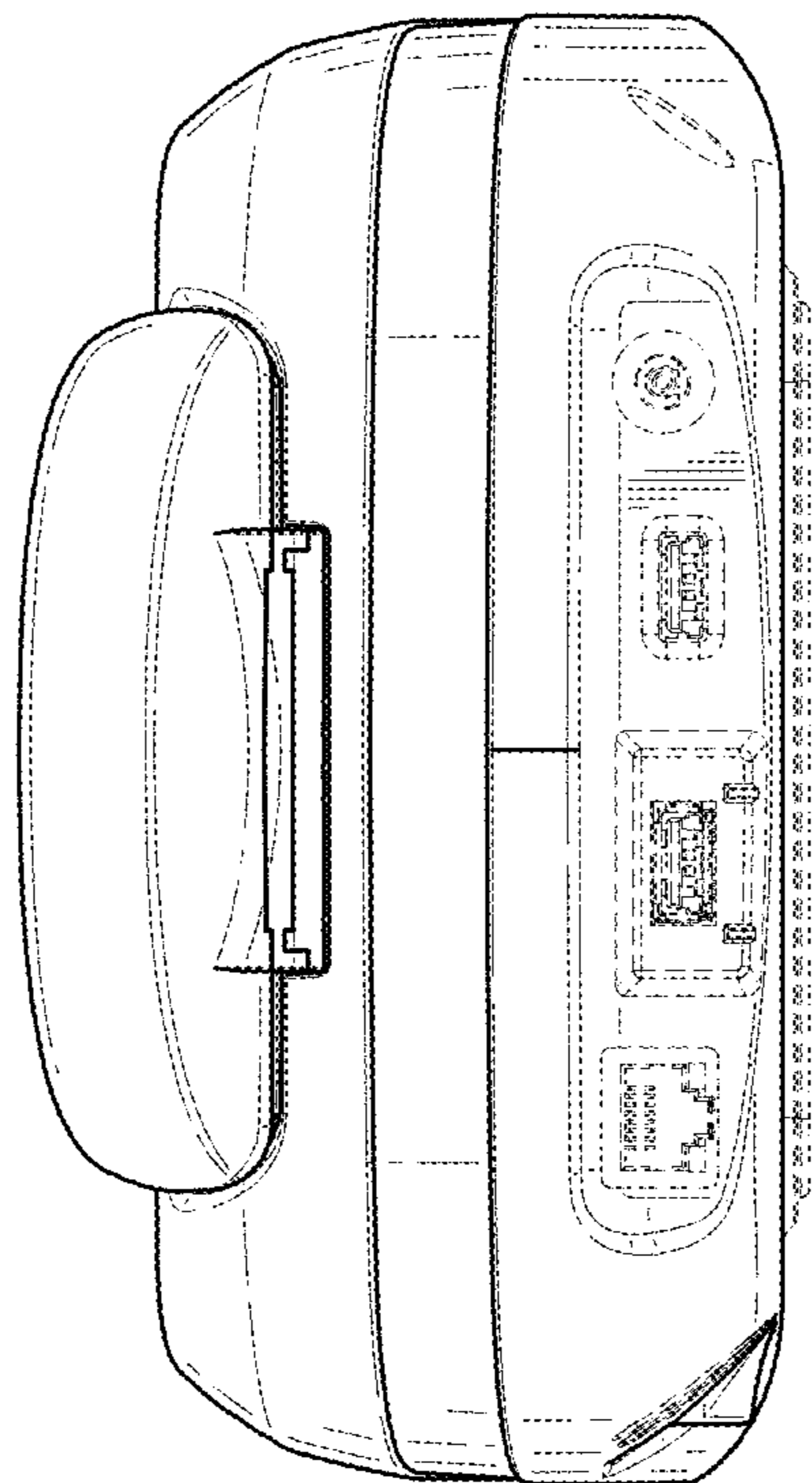


FIG. 11

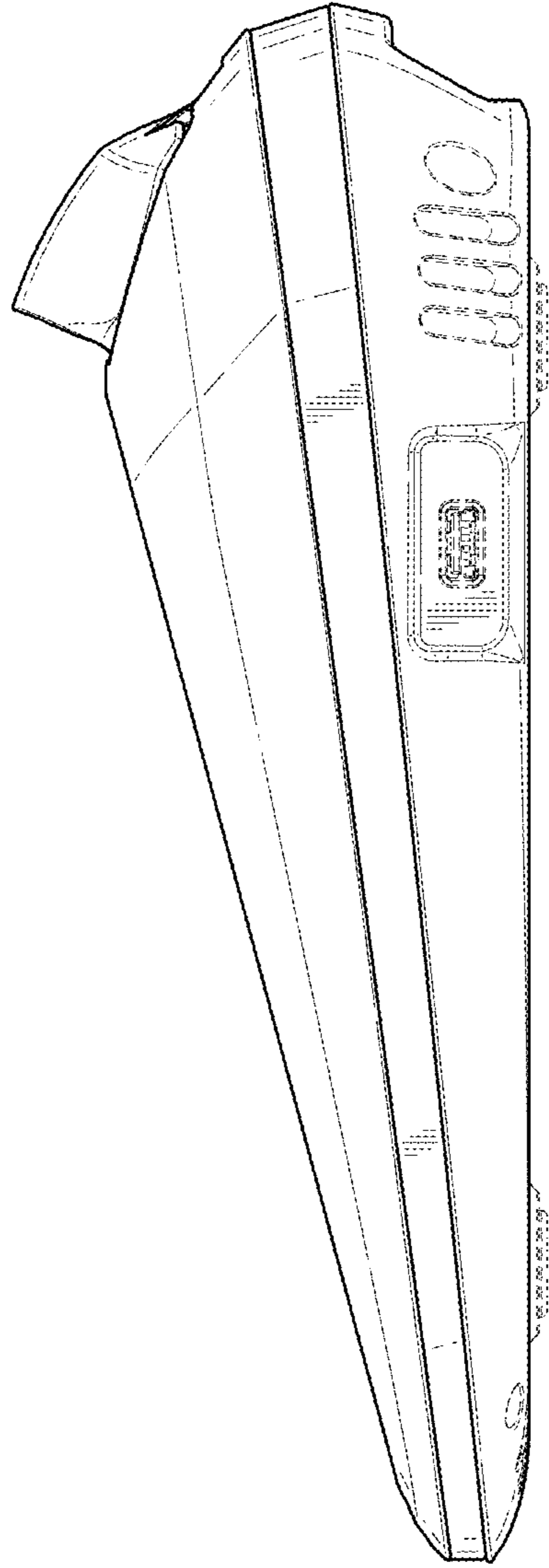


FIG. 12

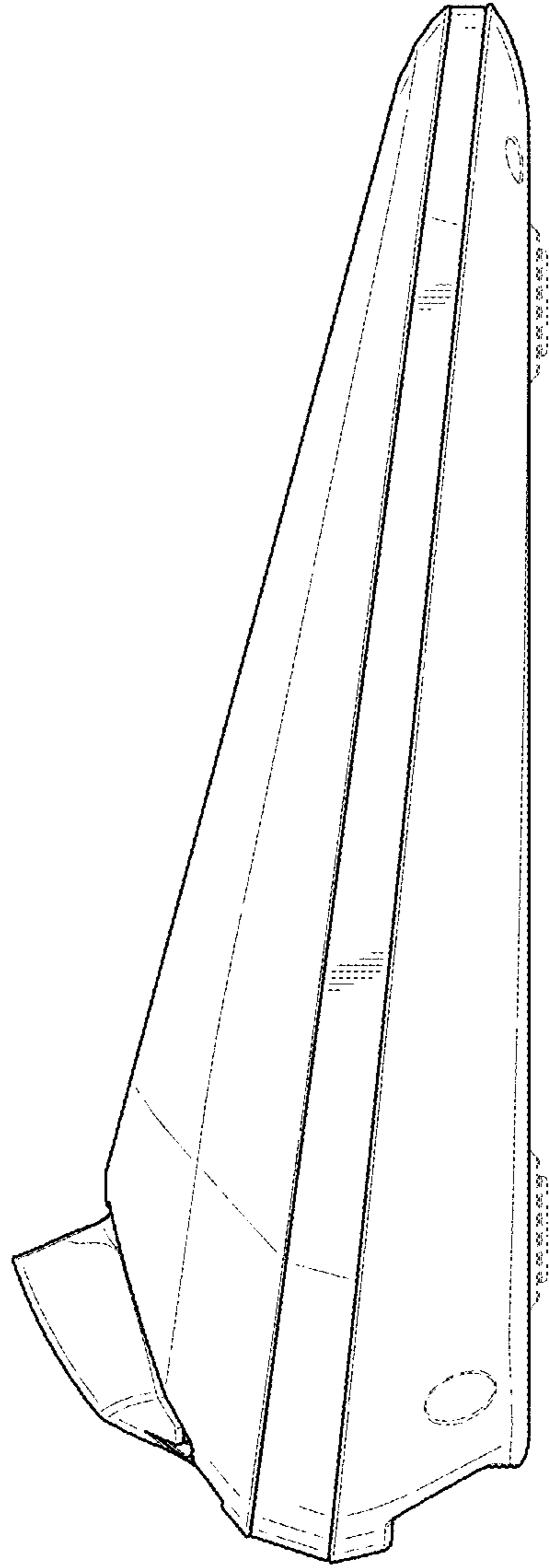


FIG. 13

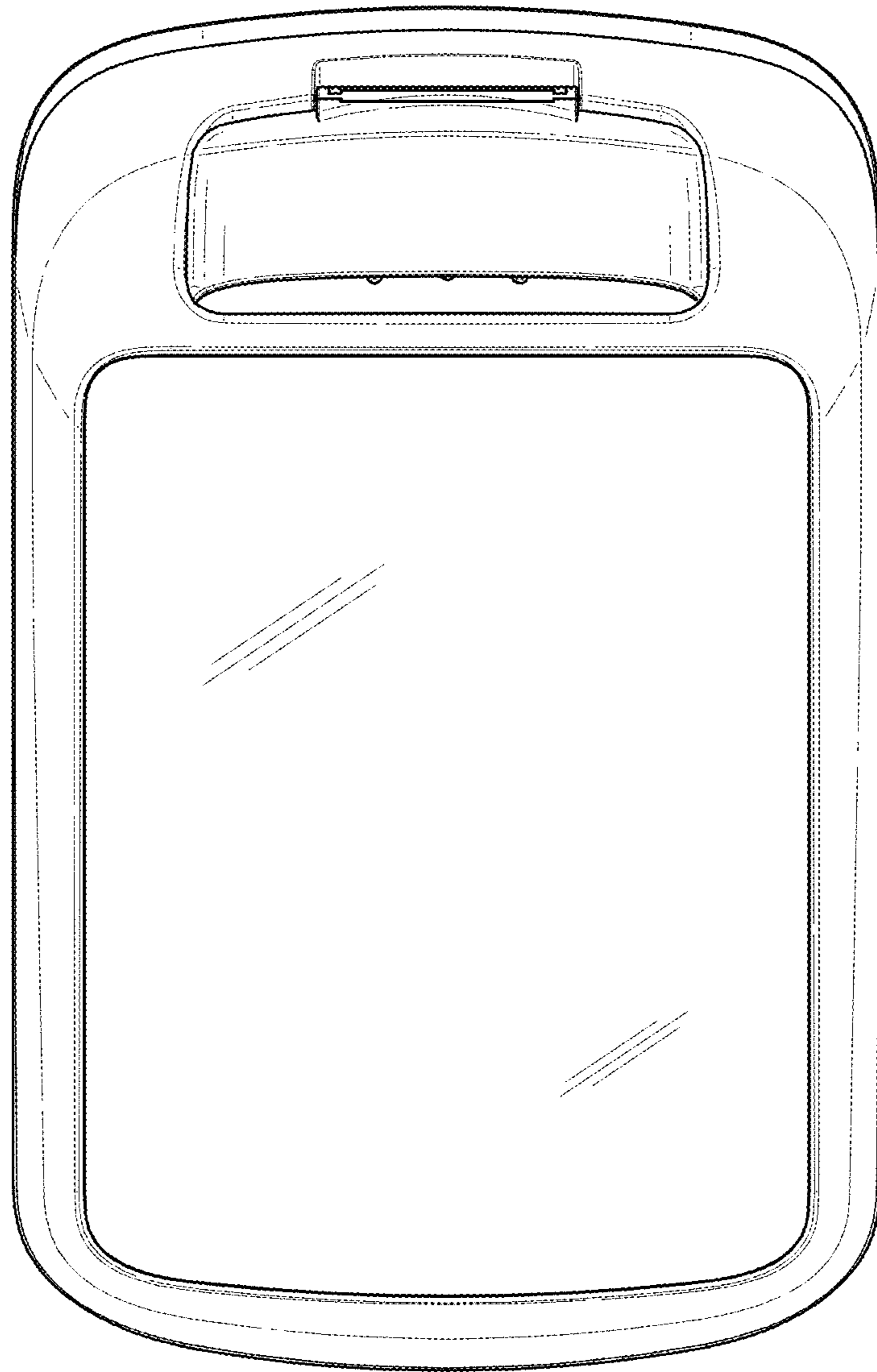


FIG. 14

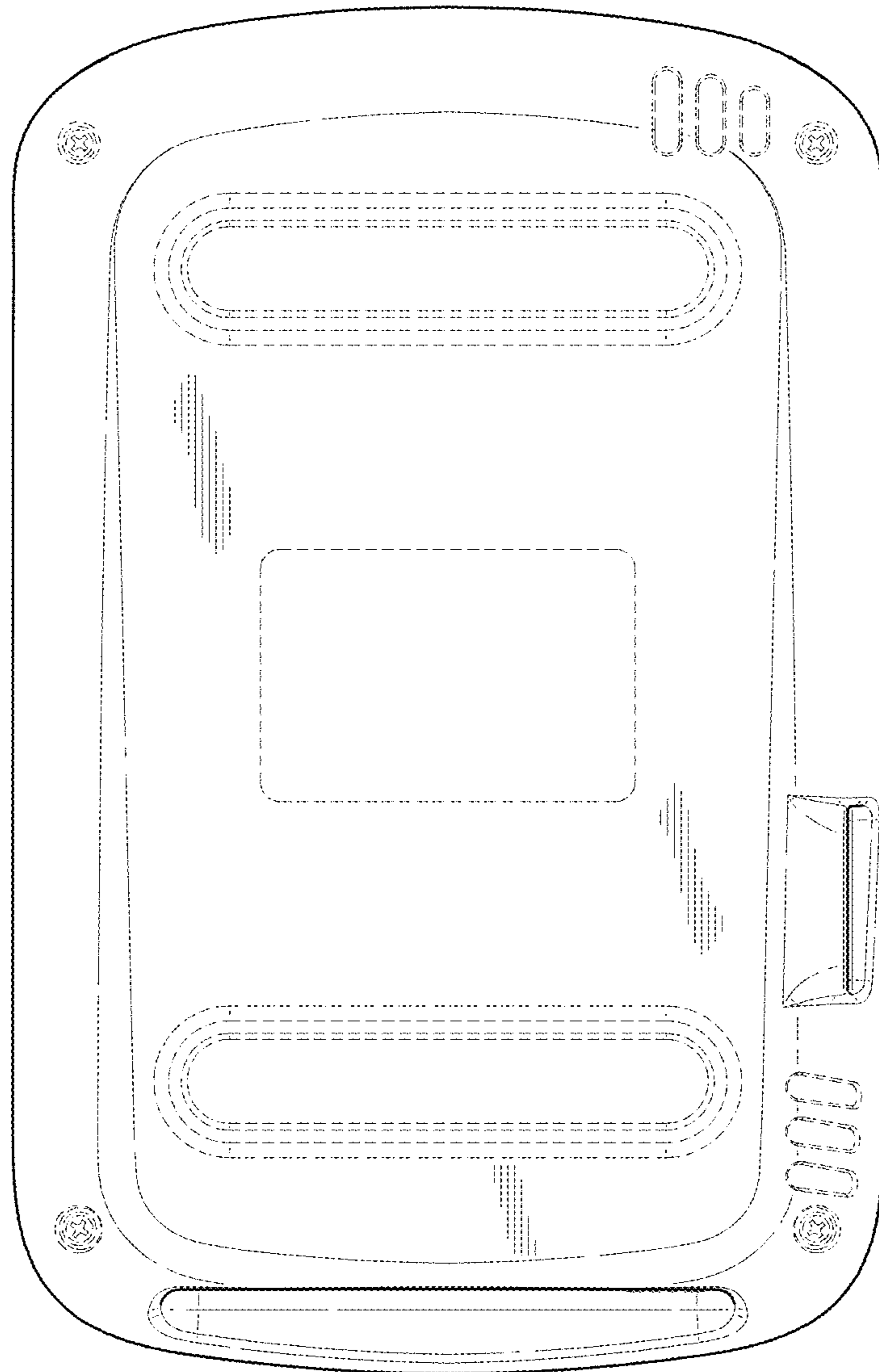


FIG. 15



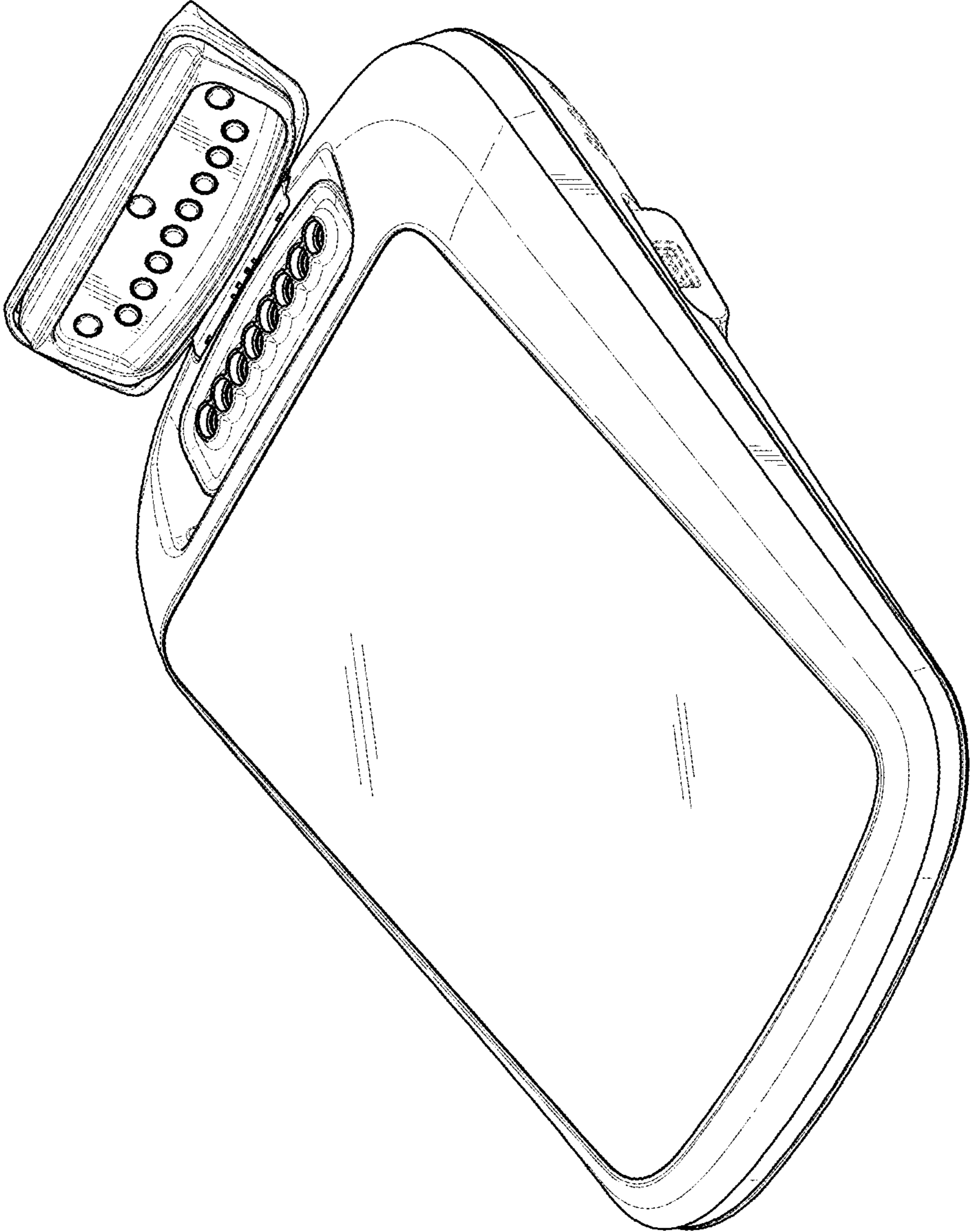


FIG. 16