



US00D897535S

(12) **United States Design Patent** (10) **Patent No.:** **US D897,535 S**  
**Rainville et al.** (45) **Date of Patent:** **\*\* Sep. 29, 2020**

(54) **MOBILE CLINICAL VIEWING TOOL**

(56) **References Cited**

(71) Applicant: **EchoNous, Inc.**, Redmond, WA (US)

U.S. PATENT DOCUMENTS

(72) Inventors: **Donald James Rainville**, Sewickley, PA (US); **Nikolaos Pagoulatos**, Kirkland, WA (US); **Greg Nieminen**, Bothell, WA (US); **Bradley S. Melmon**, Seattle, WA (US); **Nidhi Jaiswal**, Redmond, WA (US); **Qianying Miao**, Redmond, WA (US); **Brandon Cheung**, San Francisco, CA (US); **Christopher Loew**, Palo Alto, CA (US)

D451,603 S *	12/2001	Bastyr .....	D24/186
D653,521 S *	2/2012	Wike .....	D8/310
D761,899 S *	7/2016	Beatty .....	D18/4.6
D796,678 S *	9/2017	Dekock .....	D24/158
D807,513 S *	1/2018	Eslava .....	D24/186
D834,195 S *	11/2018	Chamberlain .....	D24/158
D838,715 S *	1/2019	Chen .....	D14/341
D852,268 S *	6/2019	Lyons .....	D18/4.5
2012/0118770 A1 *	5/2012	Valls .....	A45F 5/10 206/320
2014/0267660 A1 *	9/2014	Pagoulatos .....	G01S 7/52055 348/77

(73) Assignee: **EchoNous, Inc.**, Redmond, WA (US)

\* cited by examiner

(\*\*) Term: **15 Years**

*Primary Examiner* — Anhdao Doan

(21) Appl. No.: **29/693,105**

(74) *Attorney, Agent, or Firm* — Seed Intellectual Property Law Group LLP

(22) Filed: **May 30, 2019**

(57) **CLAIM**

(51) **LOC (12) Cl.** ..... **24-01**

The ornamental design for a mobile clinical viewing tool, as shown and described.

(52) **U.S. Cl.**

**DESCRIPTION**

USPC ..... **D24/160; D24/186**

(58) **Field of Classification Search**

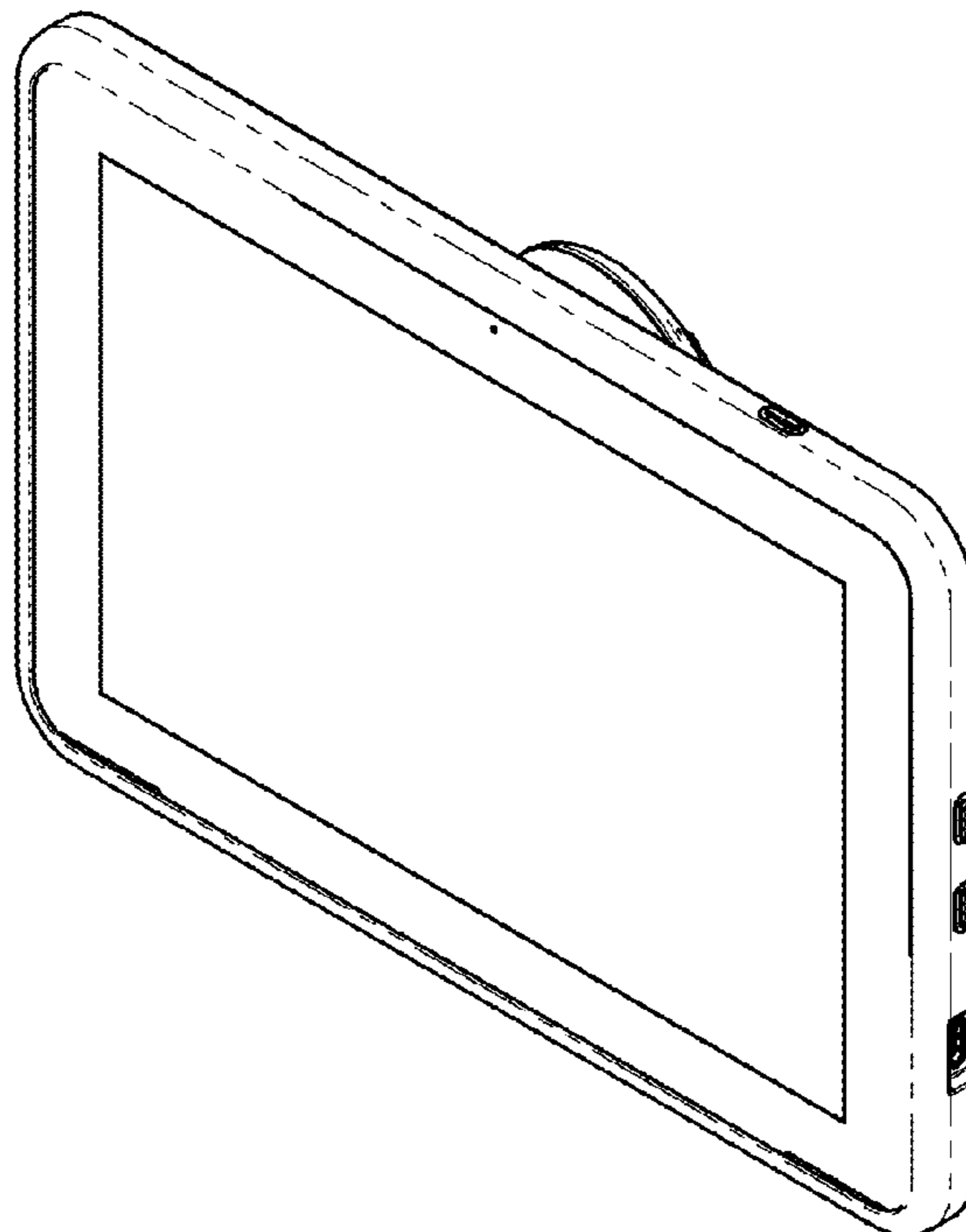
USPC ..... D24/137, 138, 158–160, 185–187, 231; D14/315, 336, 341, 371, 448; D18/4.4, D18/4.5

CPC ..... A61B 6/4405; A61B 6/4411; A61B 6/435; A61B 6/4441; A61B 6/4447; A61B 8/4405; A61B 8/4411; A61B 8/4427; A61B 8/462; A61B 8/0437; A61B 8/0883; A45F 2200/0516; A45F 2200/0525

FIG. 1 is a top, front, right perspective view of a mobile clinical viewing tool showing our new design.  
FIG. 2 is a top, rear, left perspective view thereof.  
FIG. 3 is a front elevation view thereof.  
FIG. 4 is a rear elevation view thereof.  
FIG. 5 is a bottom plan view thereof.  
FIG. 6 is a top plan view thereof.  
FIG. 7 is a left side elevation view thereof; and,  
FIG. 8 is a right side elevation view thereof.

See application file for complete search history.

**1 Claim, 4 Drawing Sheets**



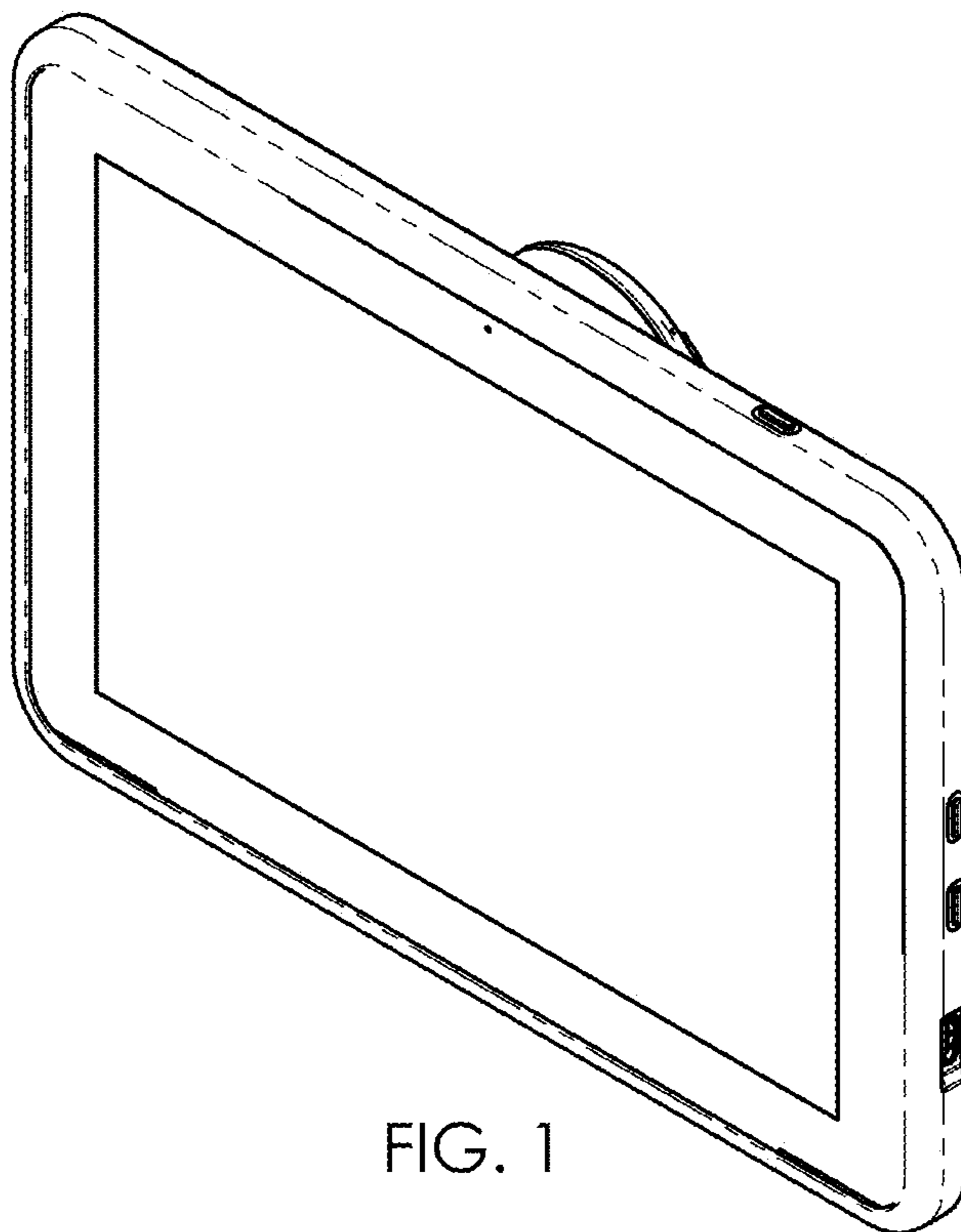


FIG. 1

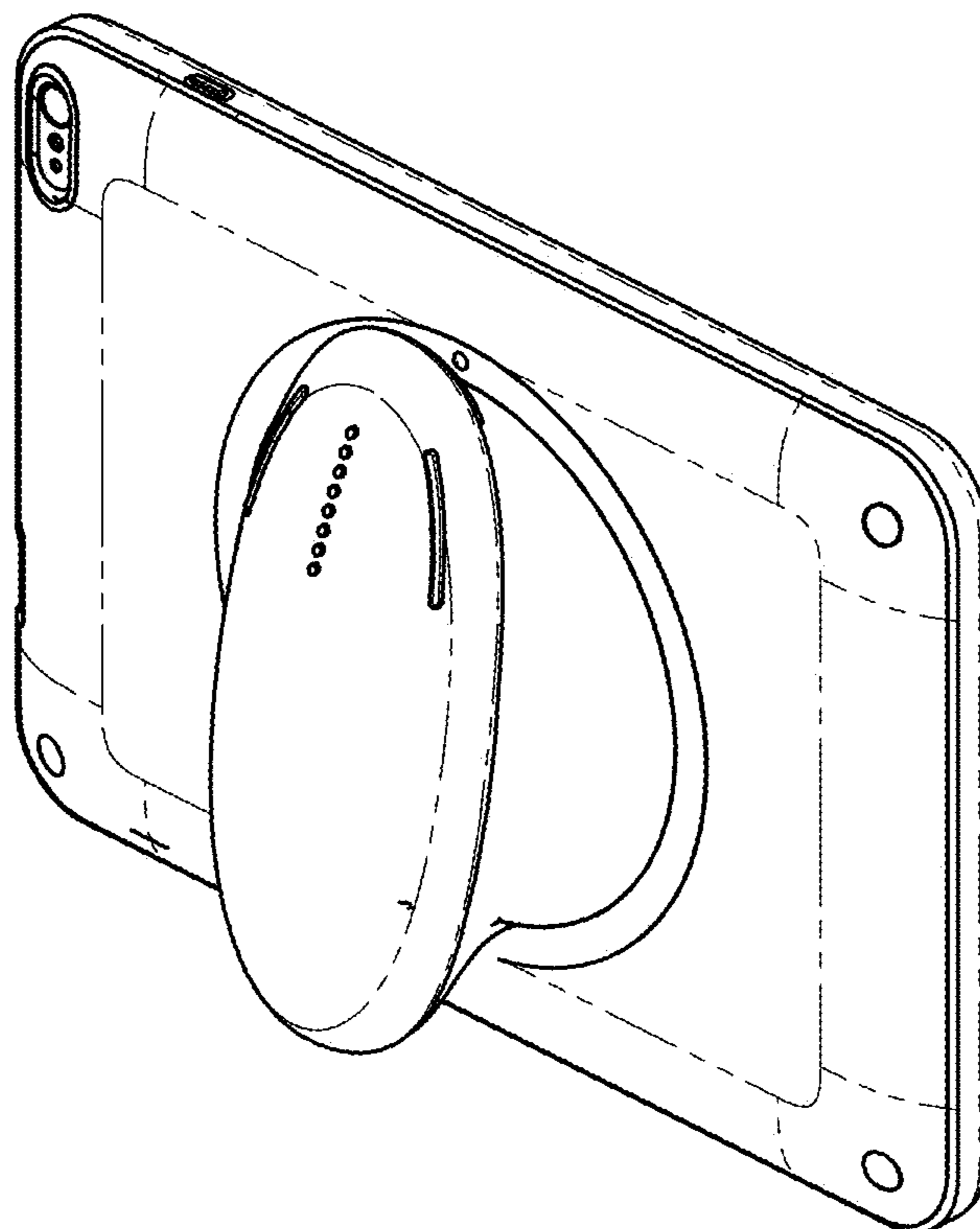


FIG. 2

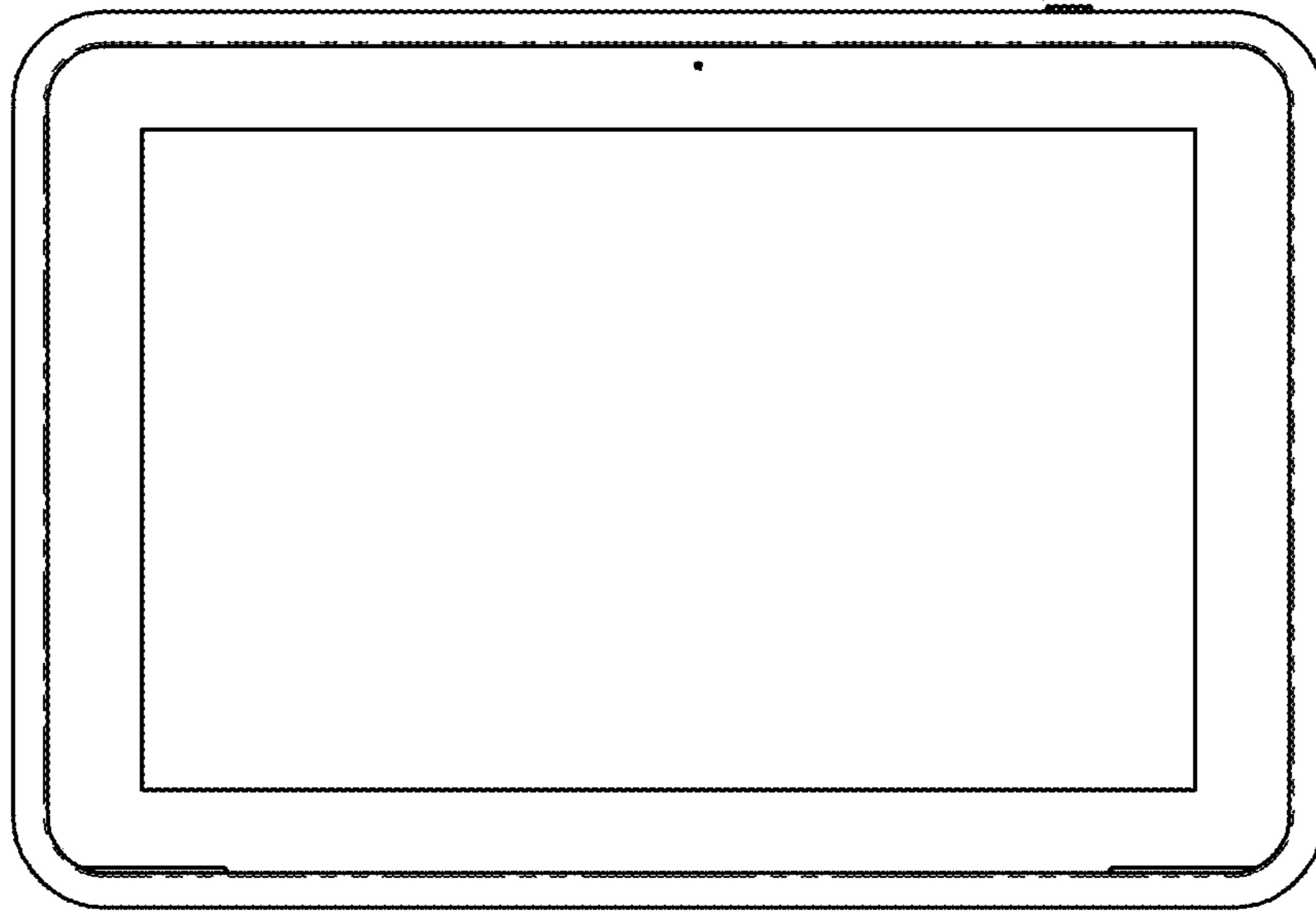


FIG. 3

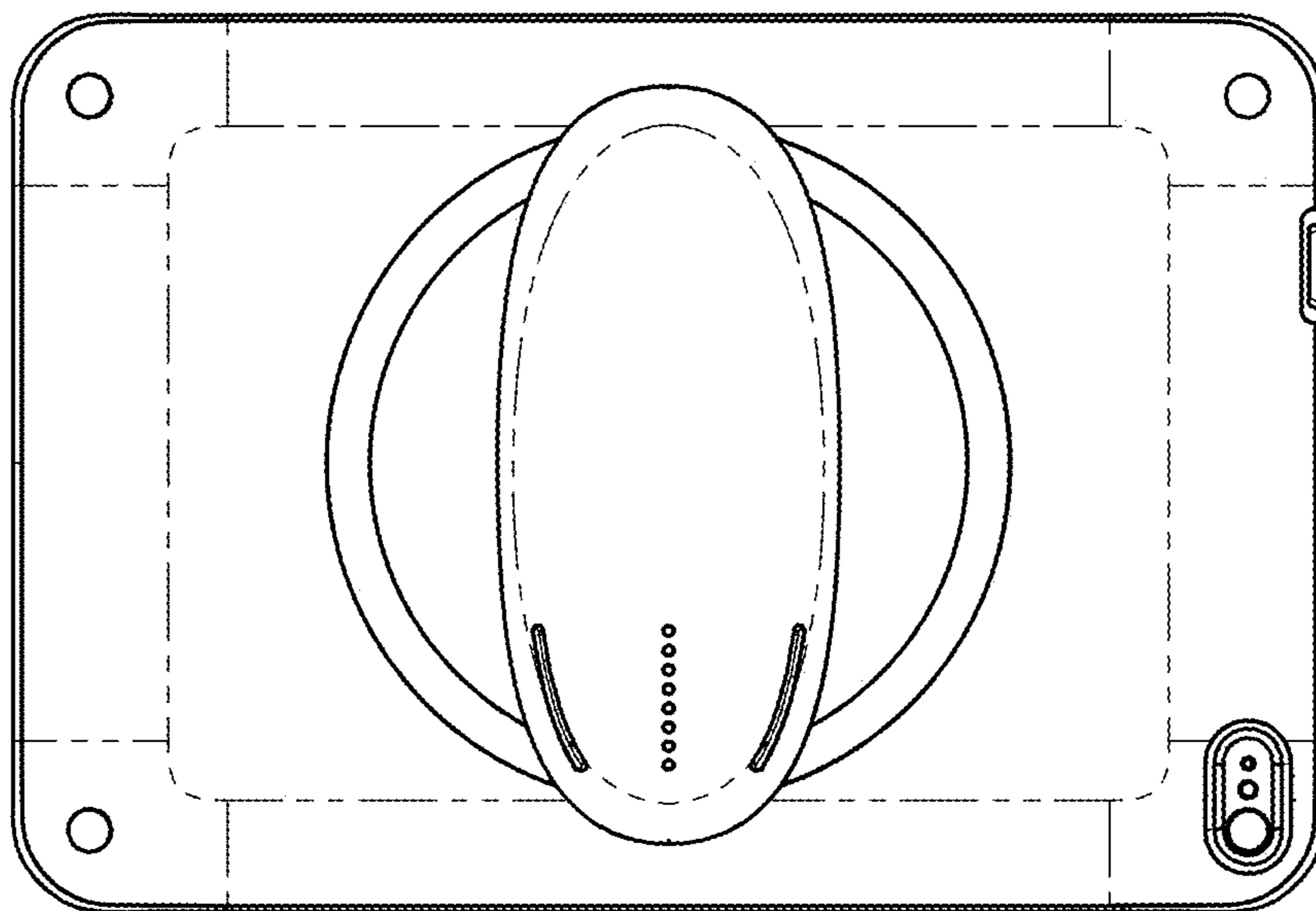


FIG. 4

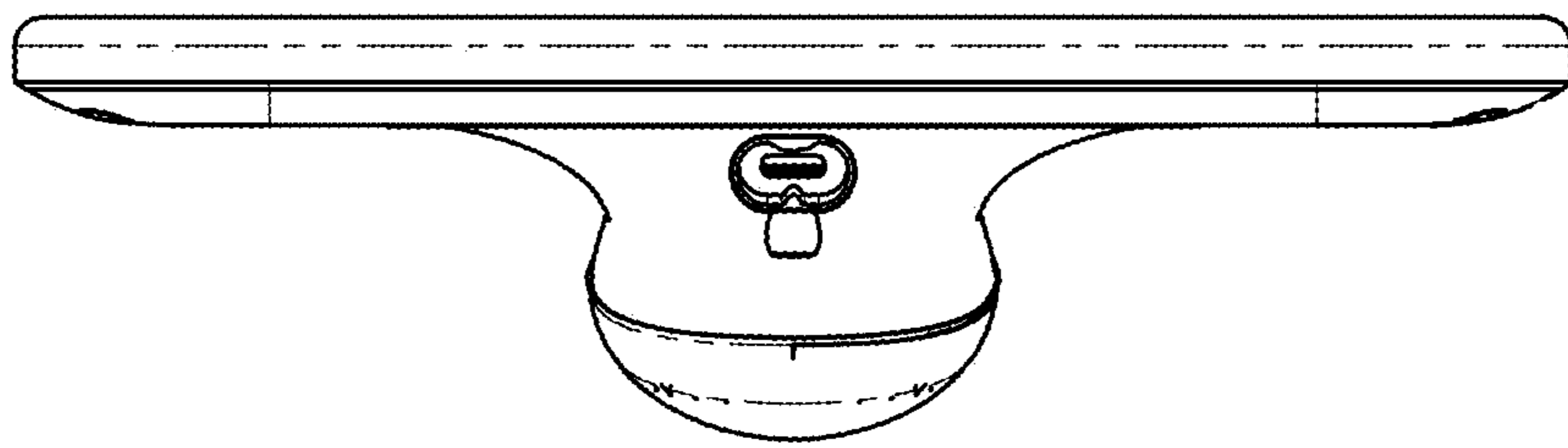


FIG. 5

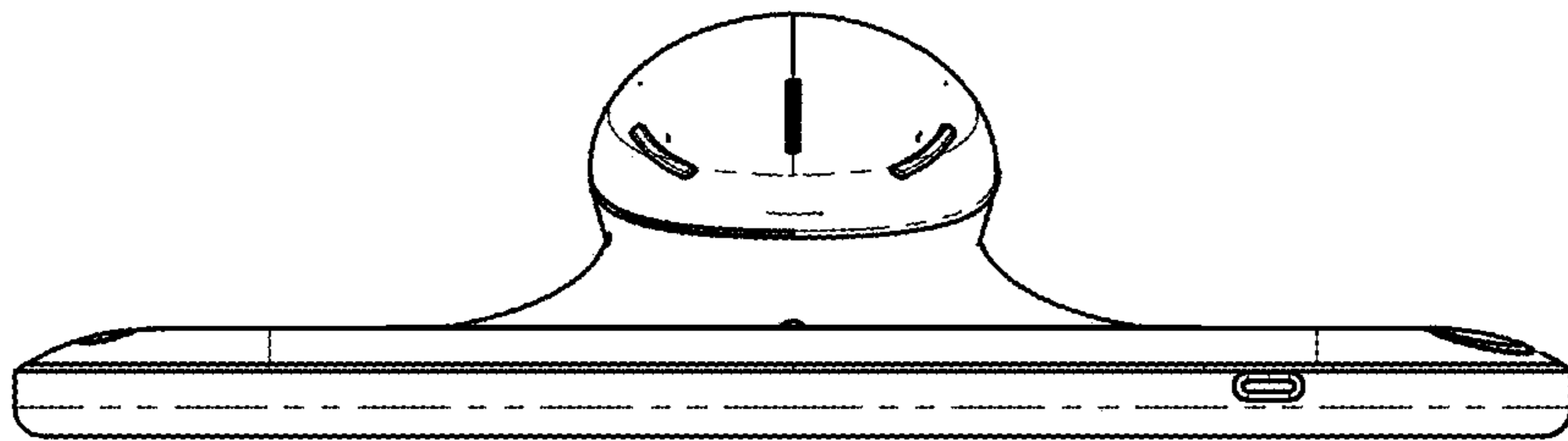


FIG. 6

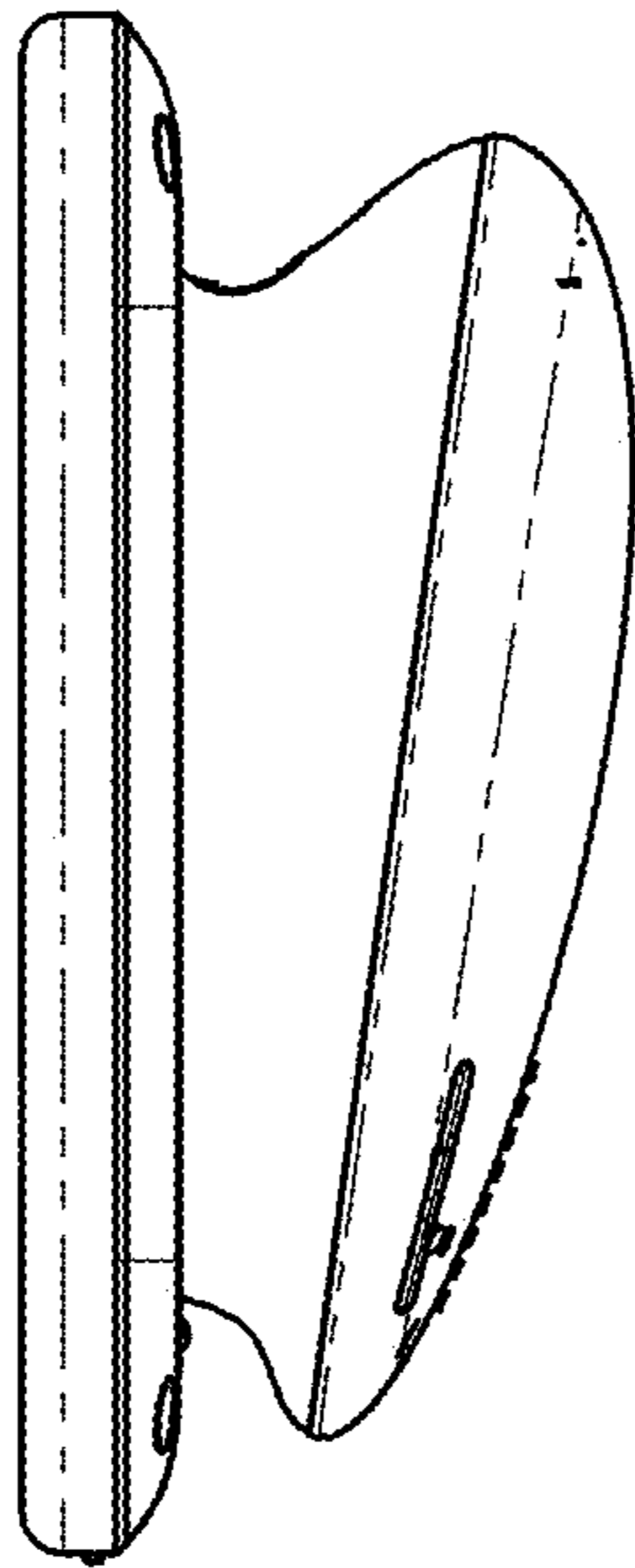


FIG. 7

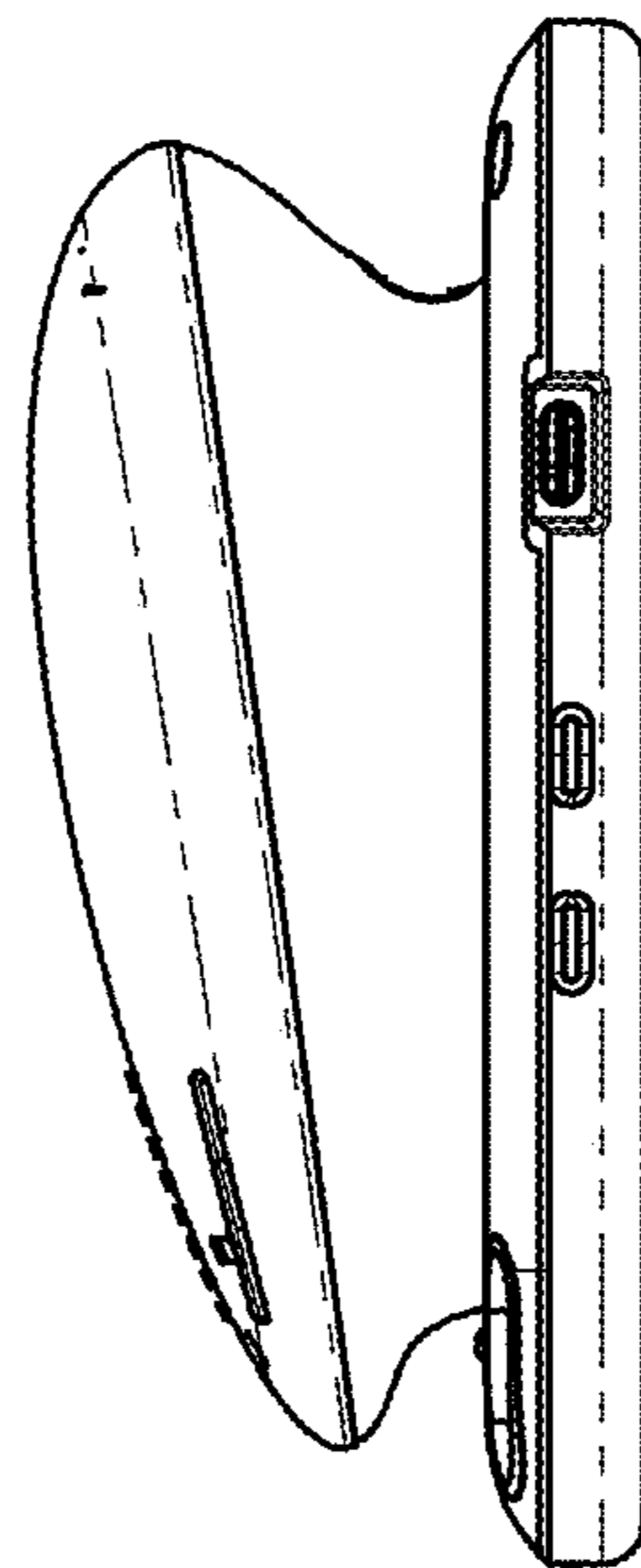


FIG. 8