



US00D897534S

(12) **United States Design Patent**  
**Hofmann**

(10) **Patent No.:** **US D897,534 S**

(45) **Date of Patent:** **\*\* Sep. 29, 2020**

(54) **X-RAY COLLIMATOR**

(71) Applicant: **CARESTREAM HEALTH, INC.**,  
Rochester, NY (US)

(72) Inventor: **Craig F. Hofmann**, Fairport, NY (US)

(73) Assignee: **Carestream Health, Inc.**, Rochester,  
NY (US)

(\*\*) Term: **15 Years**

(21) Appl. No.: **29/670,806**

(22) Filed: **Nov. 20, 2018**

(51) **LOC (12) Cl.** ..... **24-01**

(52) **U.S. Cl.**  
USPC ..... **D24/158**

(58) **Field of Classification Search**  
USPC ..... D24/107, 158-161, 185, 186, 187, 231  
CPC . G21K 1/02; G21K 1/025; G21K 1/04; A61B  
6/06; A61B 6/4429; A61B 6/4435; A61B  
6/4464

See application file for complete search history.

(56) **References Cited**

U.S. PATENT DOCUMENTS

D273,981 S *	5/1984	Kroll .....	D24/158
D487,806 S *	3/2004	Kondo .....	D24/158
D671,217 S *	11/2012	Moon .....	D24/158
D676,554 S *	2/2013	Moon .....	D24/158
D681,814 S *	5/2013	Nenoki .....	378/197
D758,584 S *	6/2016	Boegel .....	D24/158

D758,585 S *	6/2016	Boegel .....	D24/158
D767,139 S *	9/2016	Liu .....	D24/158
D785,183 S *	4/2017	Ogura .....	D24/158
D787,678 S *	5/2017	Kim .....	D24/158
D835,280 S *	12/2018	Sugie .....	D24/158
2010/0215152 A1*	8/2010	Takahashi .....	A61B 6/4429 378/197
2010/0310052 A1*	12/2010	Seimiya .....	A61B 6/4464 378/197

\* cited by examiner

Primary Examiner — Anhdao Doan

(57) **CLAIM**

The ornamental design for an X-ray collimator, as shown and described.

**DESCRIPTION**

FIG. 1 is a front perspective view of an X-ray collimator showing our new design.

FIG. 2 is a rear perspective view thereof.

FIG. 3 is a front side view thereof.

FIG. 4 is a rear side view thereof.

FIG. 5 is a top side view thereof.

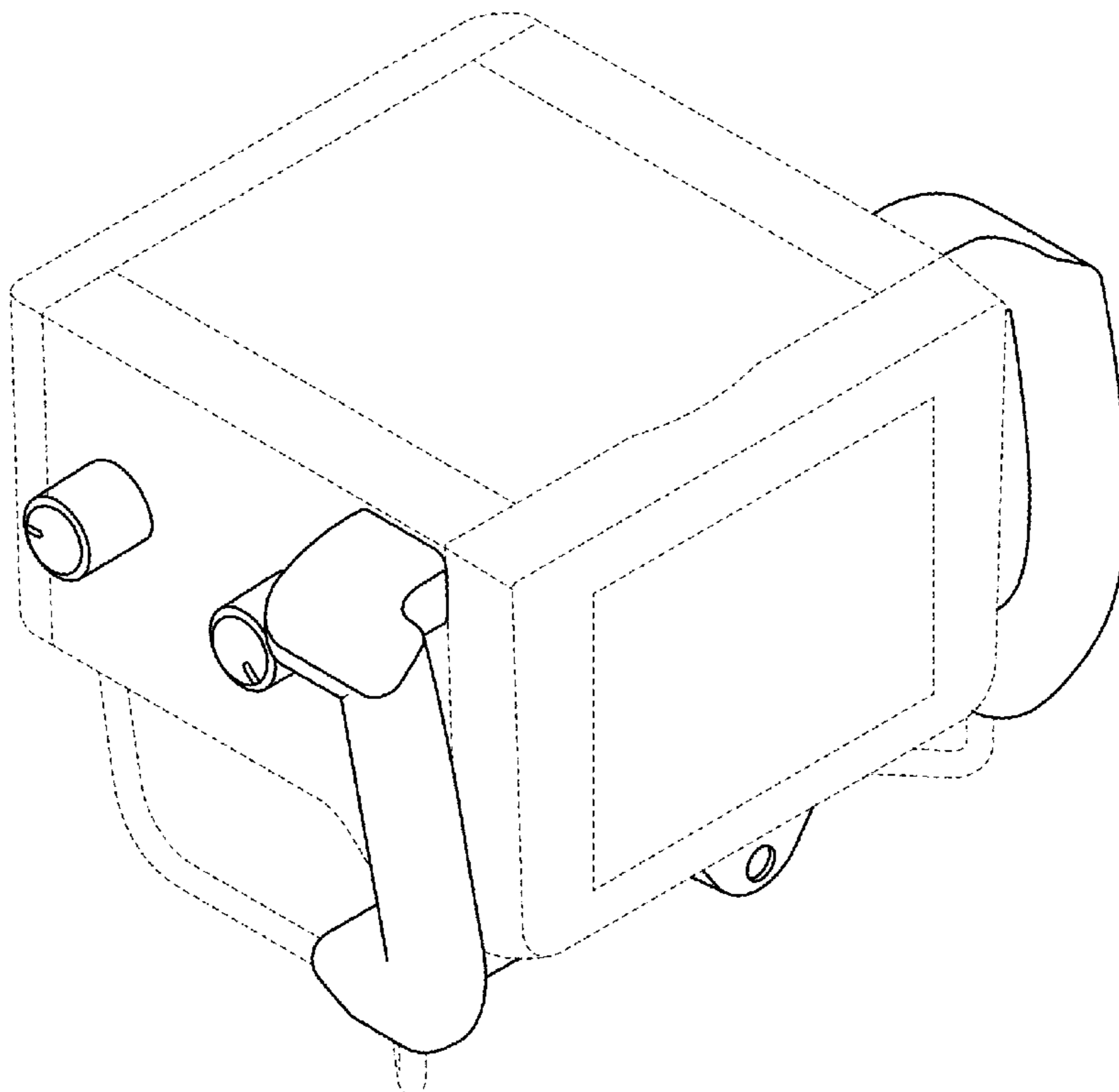
FIG. 6 is a bottom side view thereof.

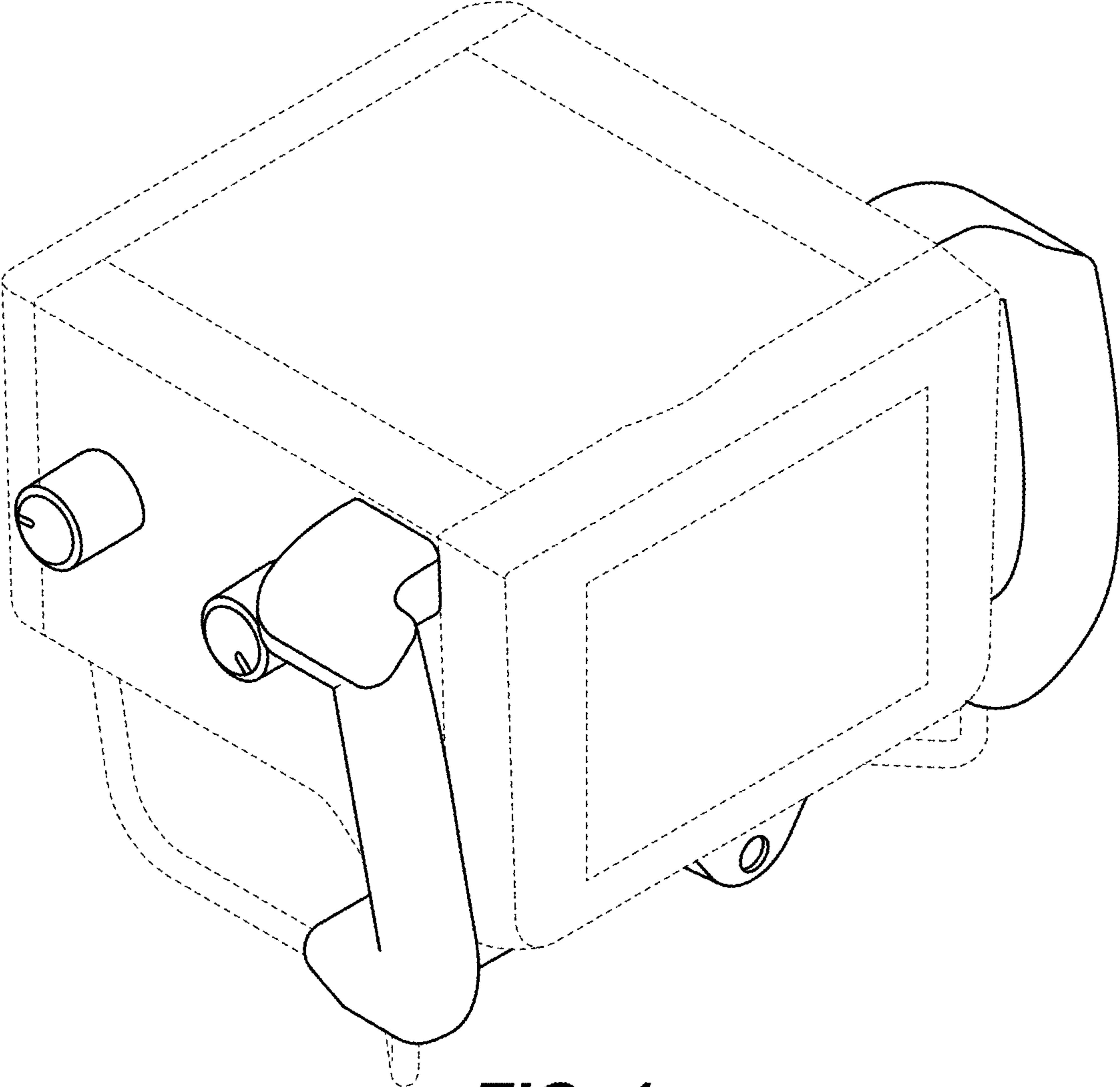
FIG. 7 is a left side view thereof; and,

FIG. 8 is a right side view thereof.

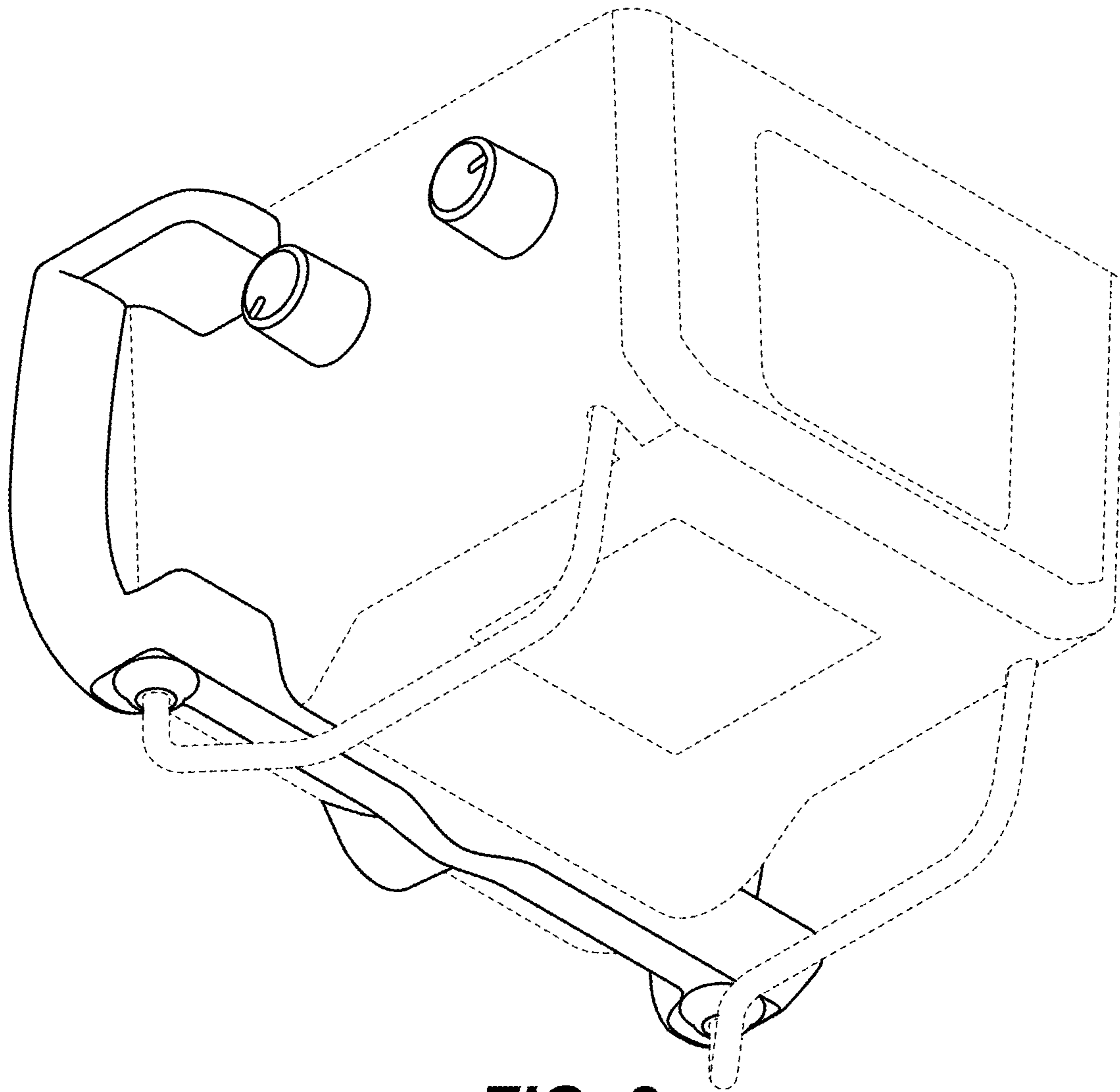
The broken lines depict portions of the X-ray collimator that form no part of the claimed design; the broken lines form no part of the claimed design.

**1 Claim, 5 Drawing Sheets**

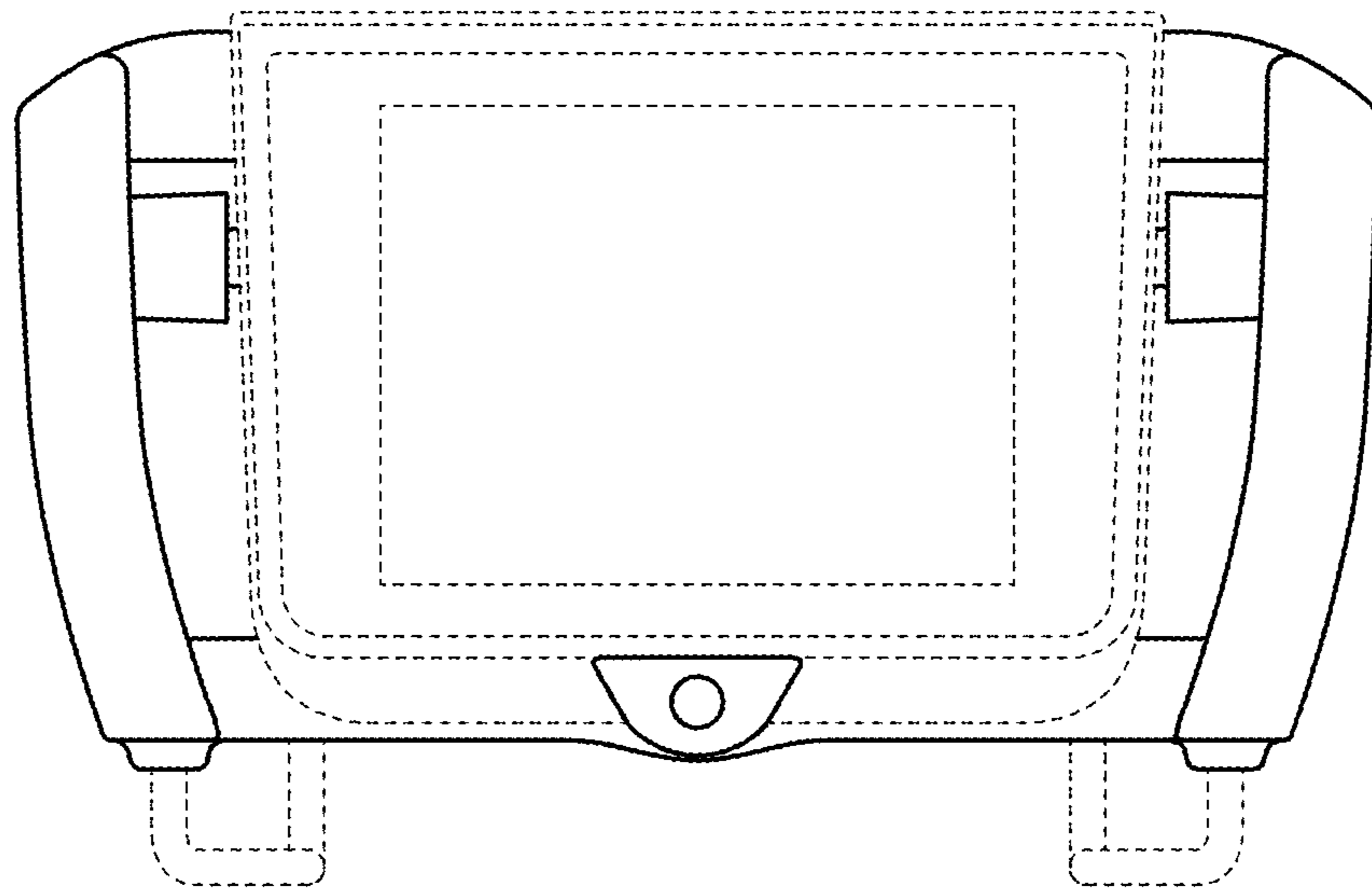




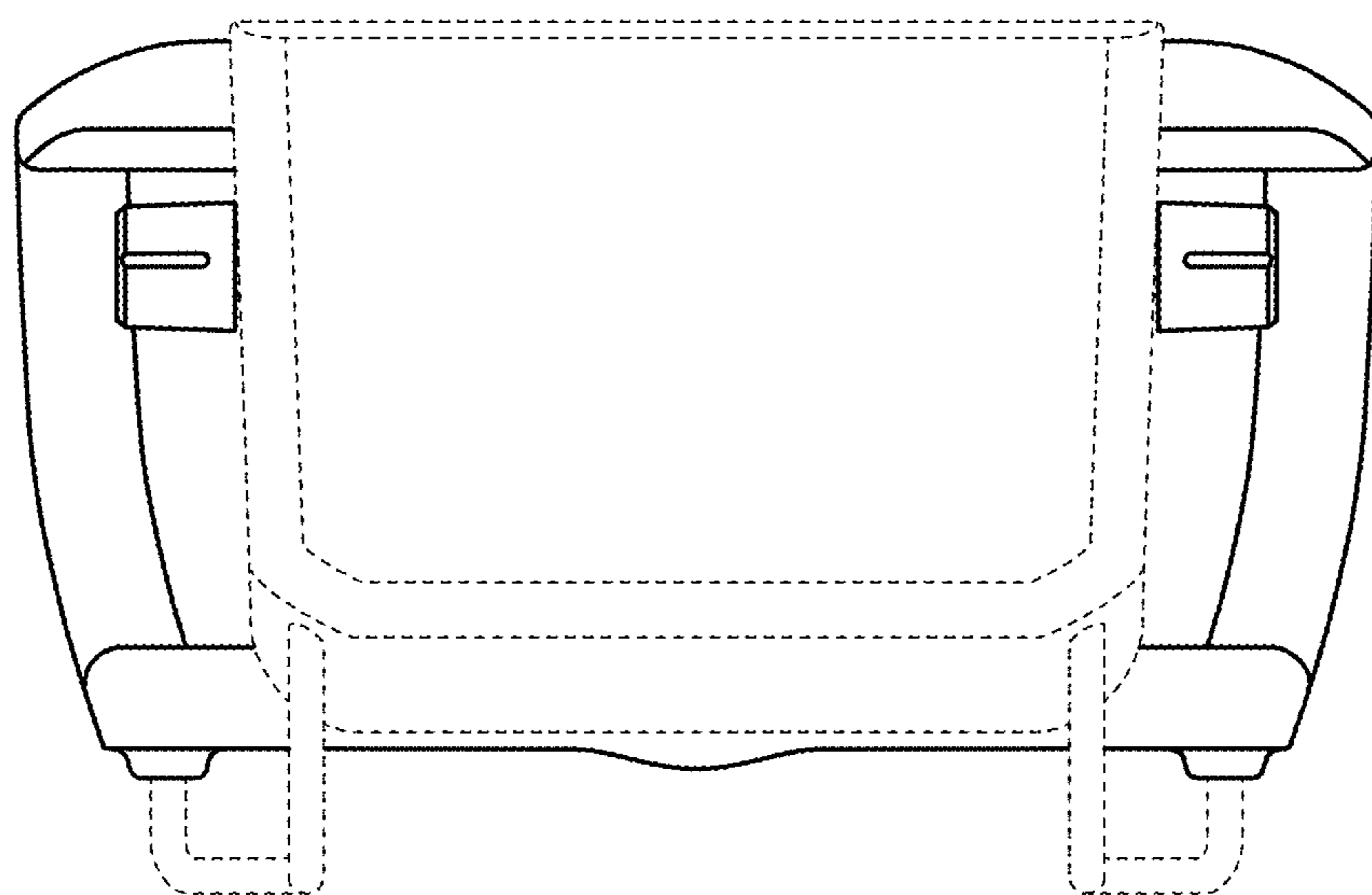
**FIG. 1**



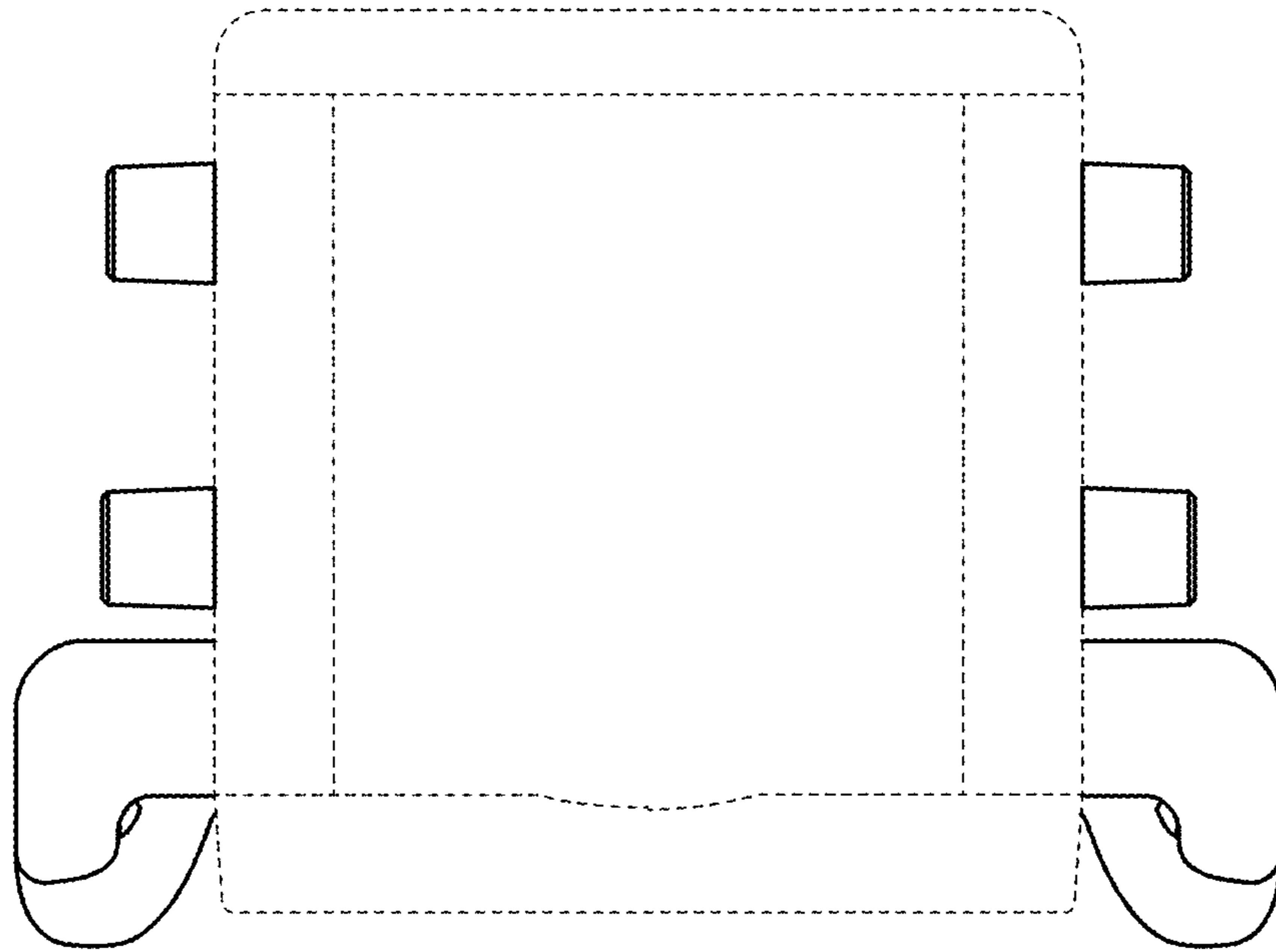
**FIG. 2**



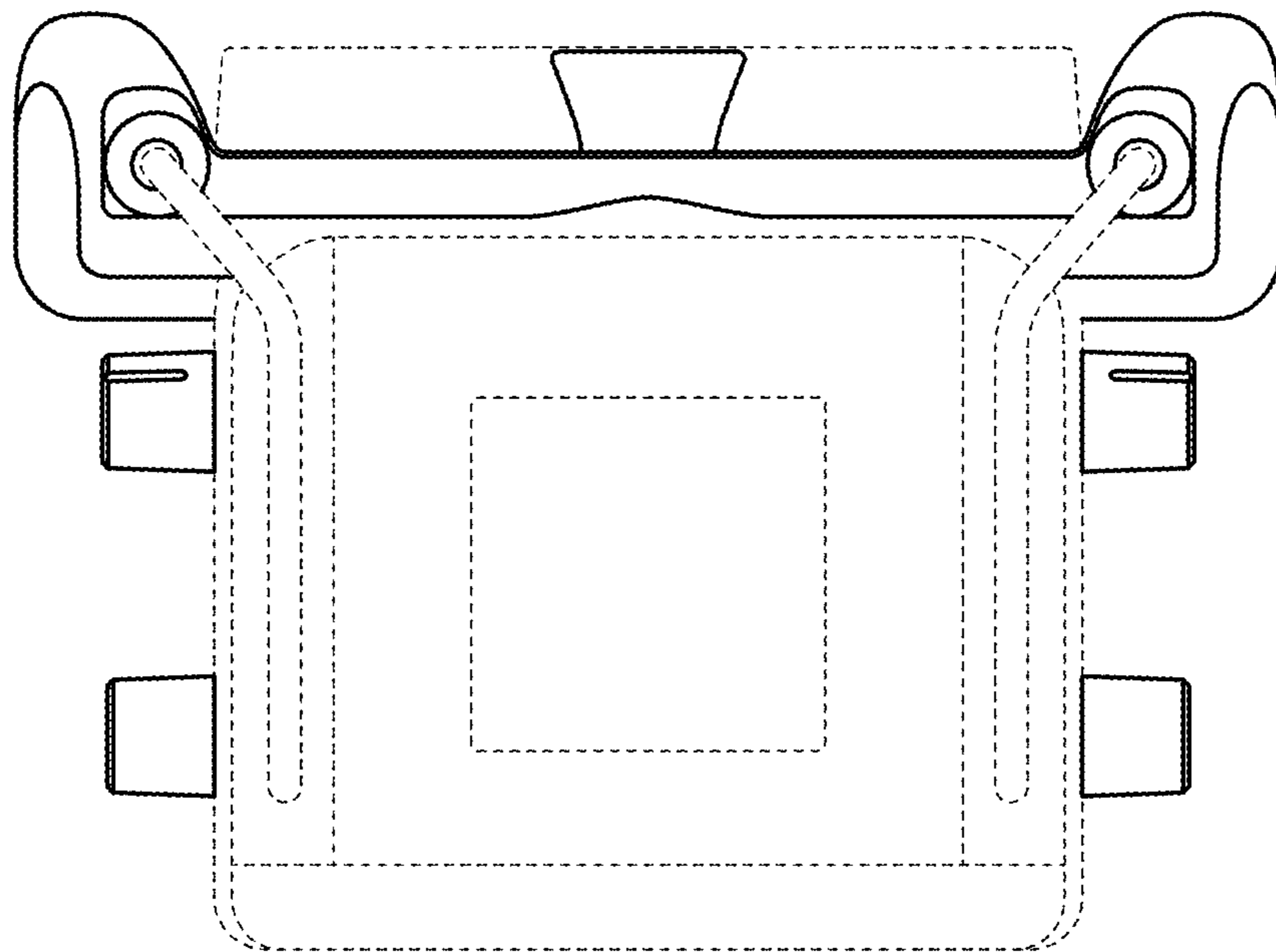
**FIG. 3**



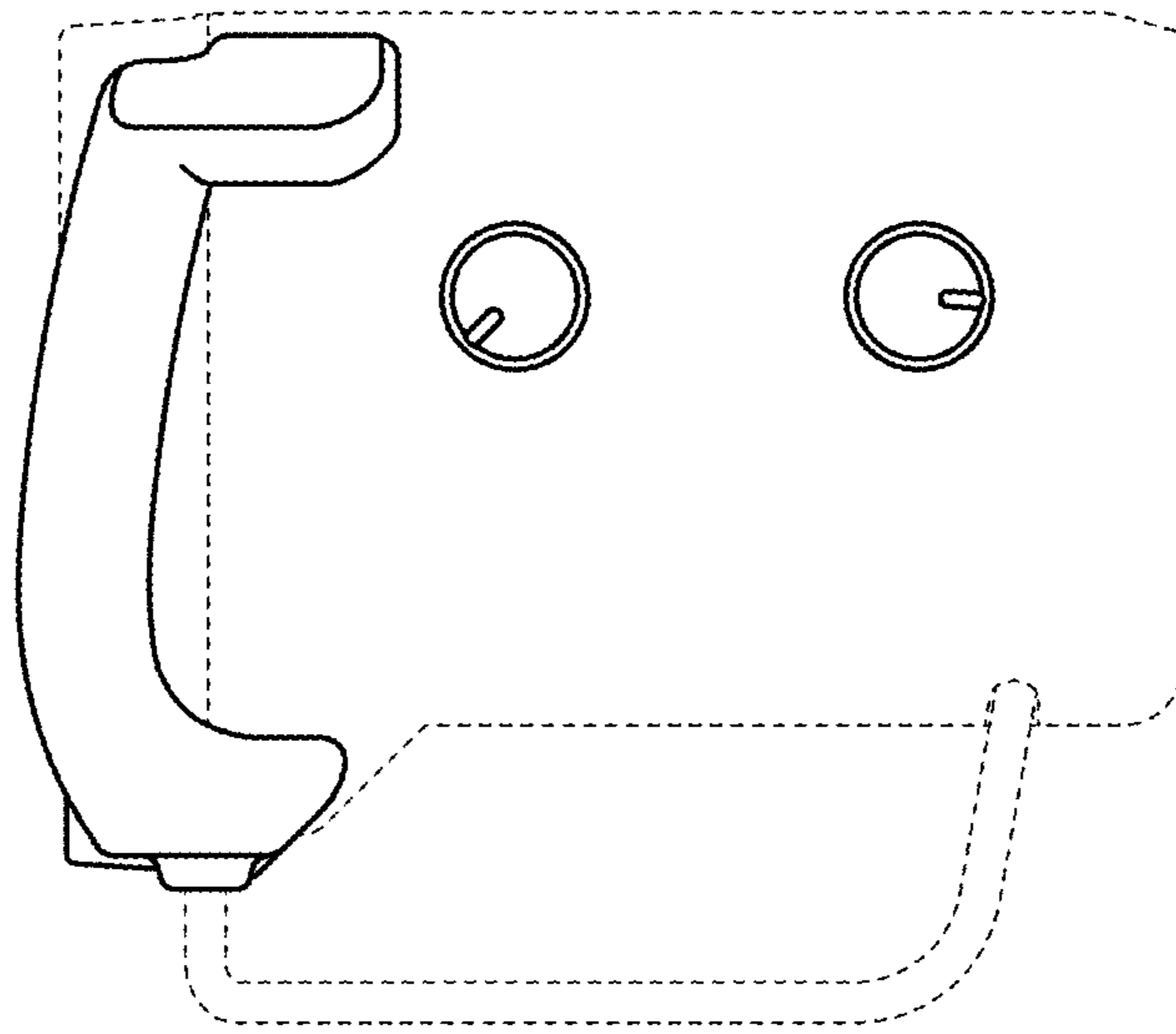
**FIG. 4**



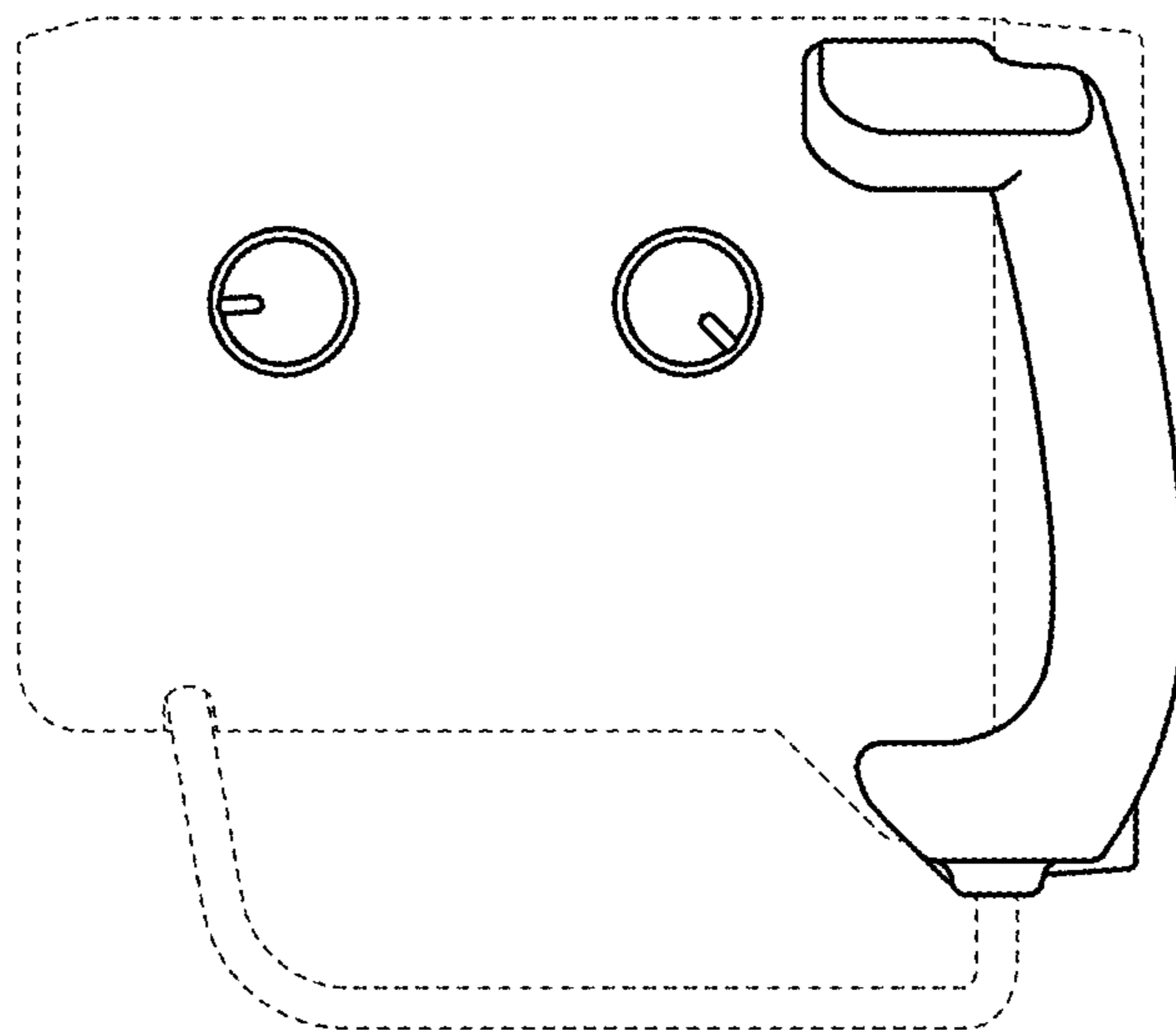
**FIG. 5**



**FIG. 6**



**FIG. 7**



**FIG. 8**