



US00D897529S

(12) **United States Design Patent**
Lilliestråle

(10) **Patent No.:** **US D897,529 S**

(45) **Date of Patent:** **** Sep. 29, 2020**

- (54) **OSTEOTOMY GUIDE TALUS**
- (71) Applicant: **EPISURF IP-MANAGEMENT AB**,
Stockholm (SE)
- (72) Inventor: **Richard Lilliestråle**, Stockholm (SE)
- (73) Assignee: **EPISURF IP-MANAGEMENT AB**,
Stockholm (SE)
- (**) Term: **15 Years**
- (21) Appl. No.: **29/676,756**
- (22) Filed: **Jan. 14, 2019**
- (51) **LOC (12) Cl.** **24-02**
- (52) **U.S. Cl.**
USPC **D24/140**
- (58) **Field of Classification Search**
USPC D24/133, 135, 140
CPC A61B 17/151; A61B 17/15
See application file for complete search history.

(56) **References Cited**

U.S. PATENT DOCUMENTS

- D355,254 S * 2/1995 Krafft D10/64
- D642,263 S * 7/2011 Park D24/140
- D646,390 S * 10/2011 Bailey D24/140
- D649,640 S * 11/2011 Bailey D24/140
- D660,961 S * 5/2012 Sahadevan D24/140
- D669,176 S * 10/2012 Frey A61B 34/10
D24/140
- D694,884 S * 12/2013 Mooradian D24/140
- D724,730 S * 3/2015 Chaney D24/140

- D733,875 S * 7/2015 Chaney D24/140
- D734,850 S * 7/2015 Chaney D24/140
- D747,480 S * 1/2016 Geebelen D24/140
- D747,481 S * 1/2016 Geebelen D24/140
- D752,743 S * 3/2016 Oberg A61B 8/0833
D24/130

2009/0087276 A1 4/2009 Rose

* cited by examiner

Primary Examiner — Bridget L Eland

(74) *Attorney, Agent, or Firm* — Johnson, Marcou, Isaacs & Nix, LLC

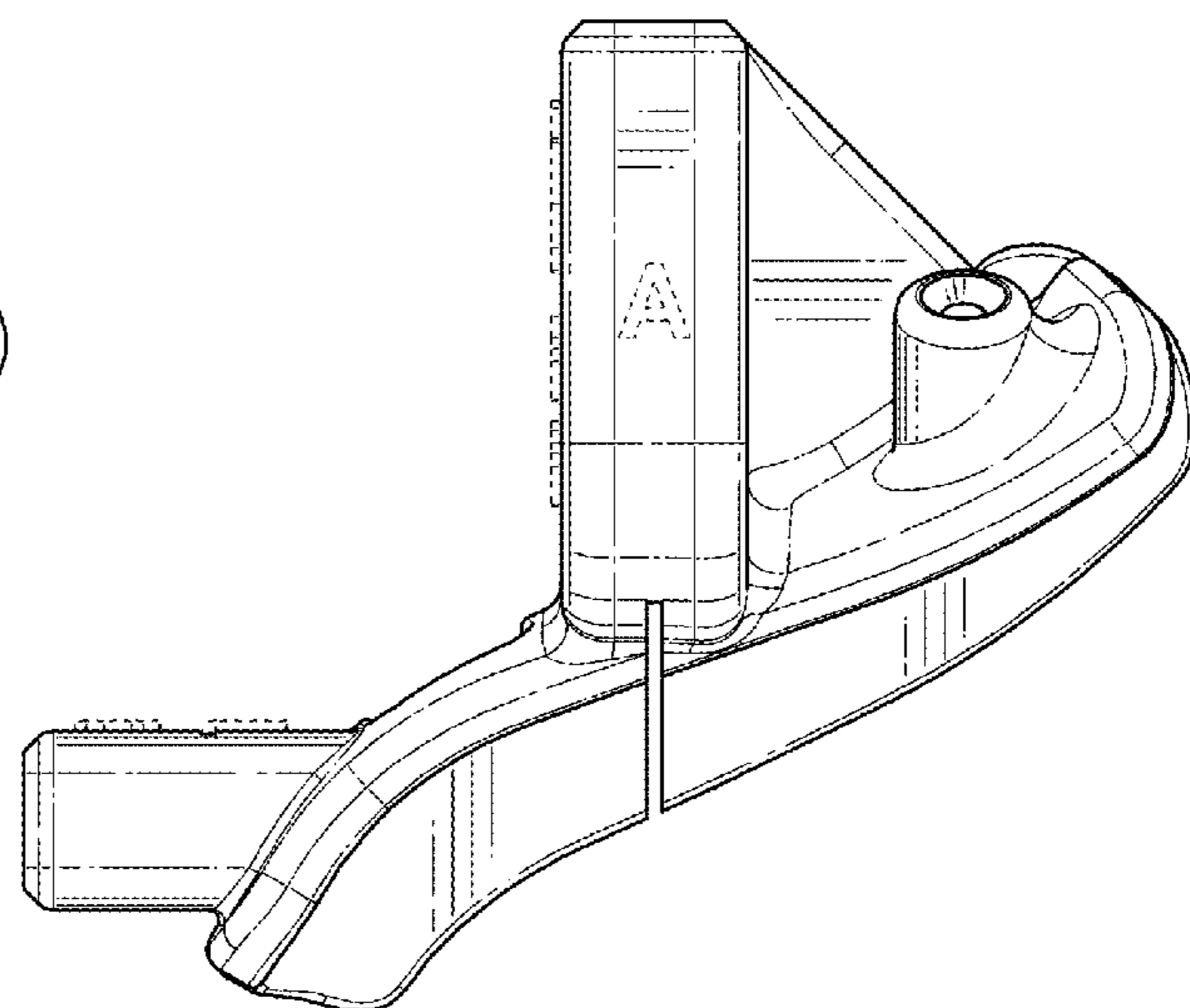
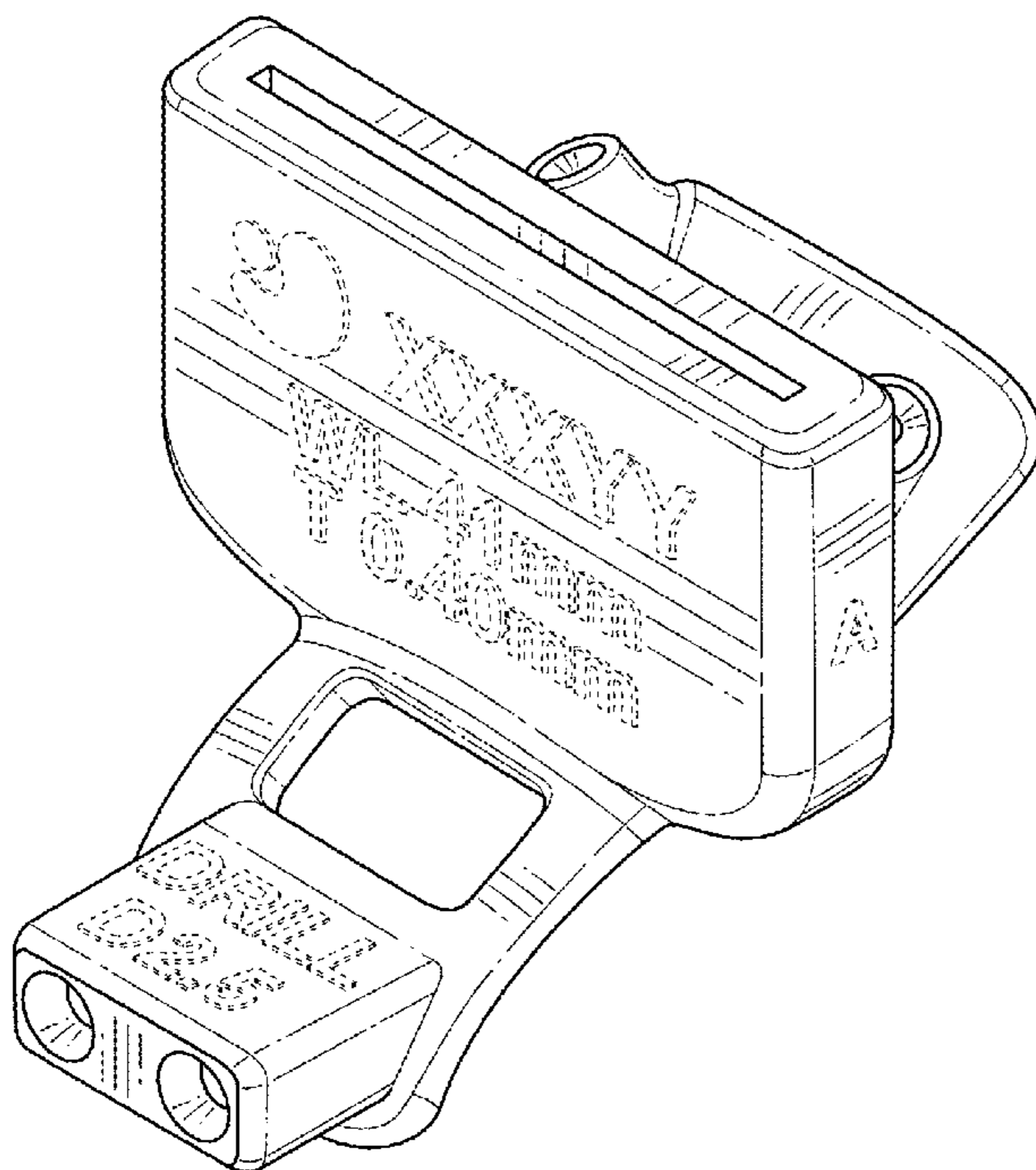
(57) **CLAIM**

The ornamental design for an osteotomy guide talus, as shown and described.

DESCRIPTION

FIG. 1 shows a front perspective view of the osteotomy guide talus;
 FIG. 2 shows a front elevation view of the osteotomy guide talus;
 FIG. 3 shows a rear elevation view of the osteotomy guide talus;
 FIG. 4 shows a left elevation view of the osteotomy guide talus;
 FIG. 5 shows a right elevation view of the osteotomy guide talus; and,
 FIG. 6 shows a top plan view of the osteotomy guide talus. The broken lines shown in the views are included for the purpose of illustrating portions of the osteotomy guide talus that form no part of the claimed design.

1 Claim, 6 Drawing Sheets



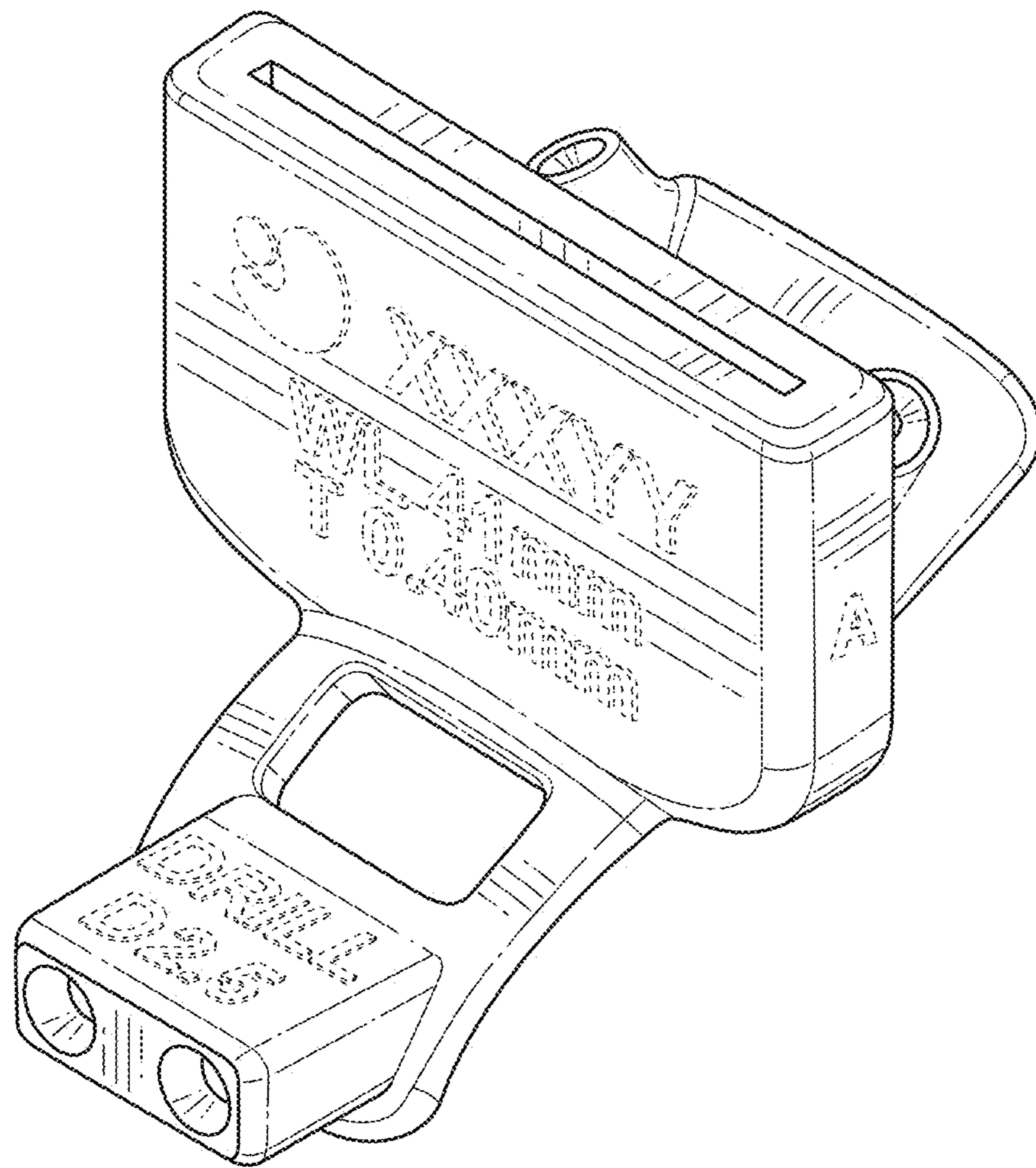


FIG. 1

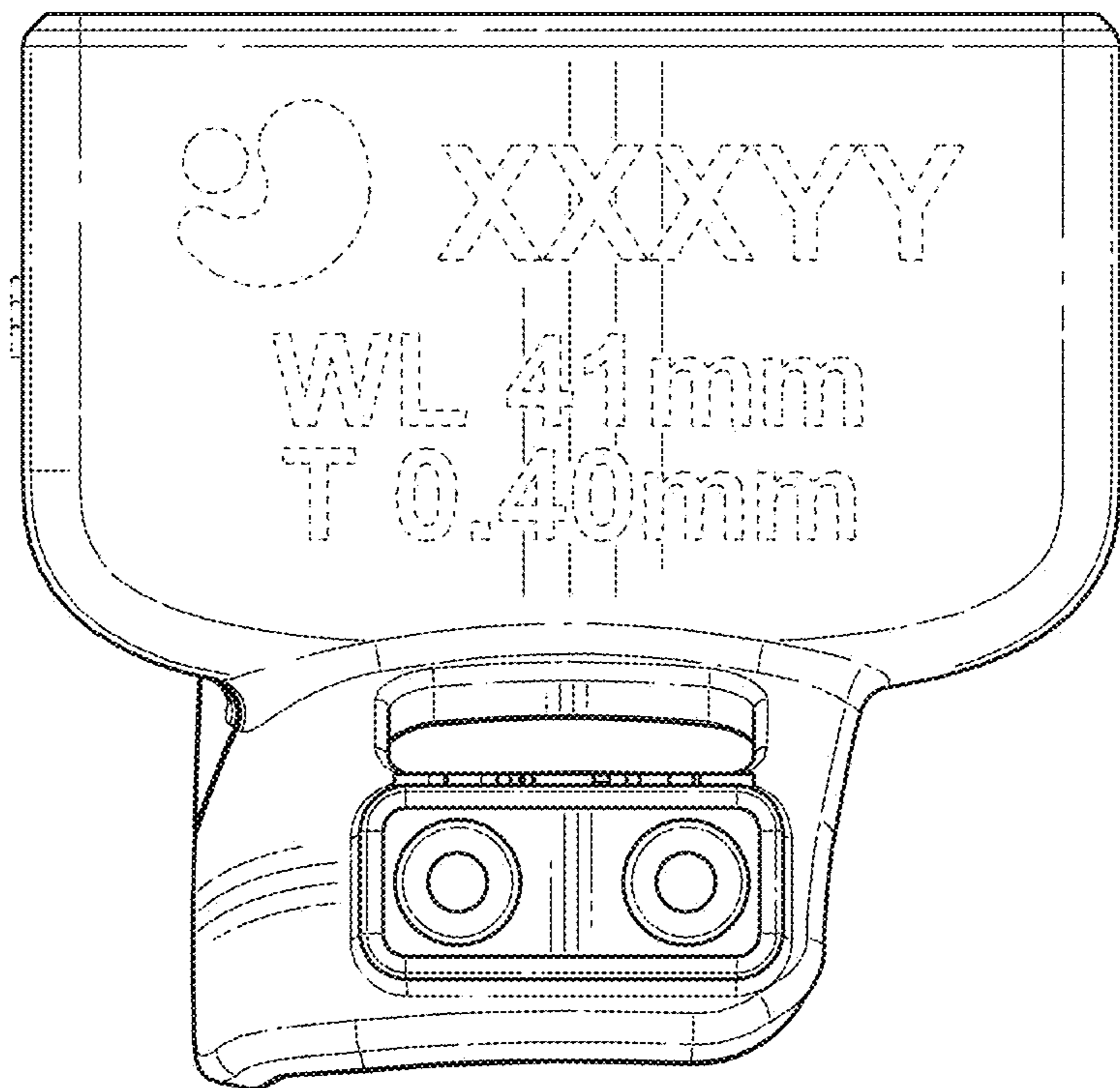


FIG. 2

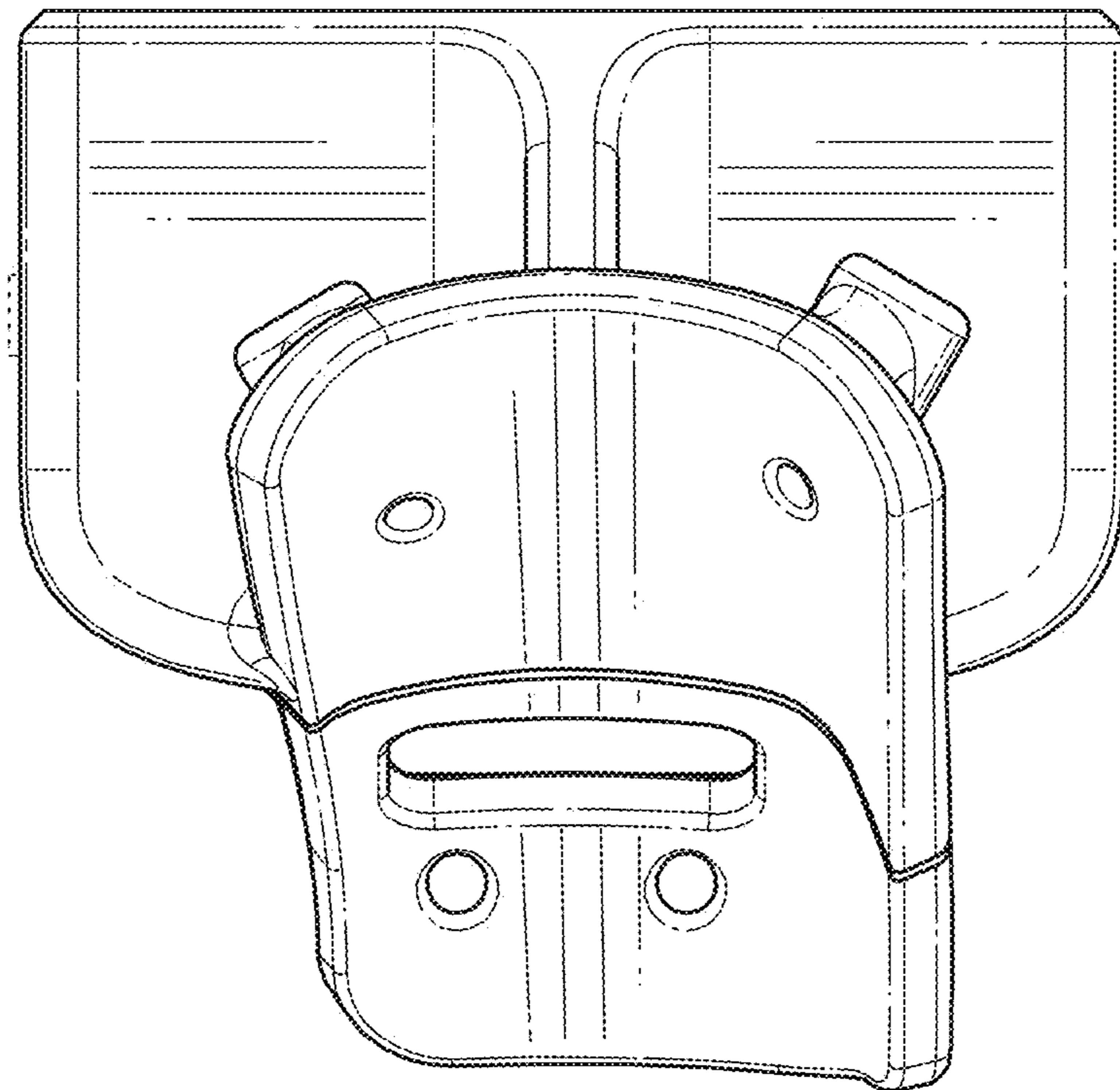


FIG. 3

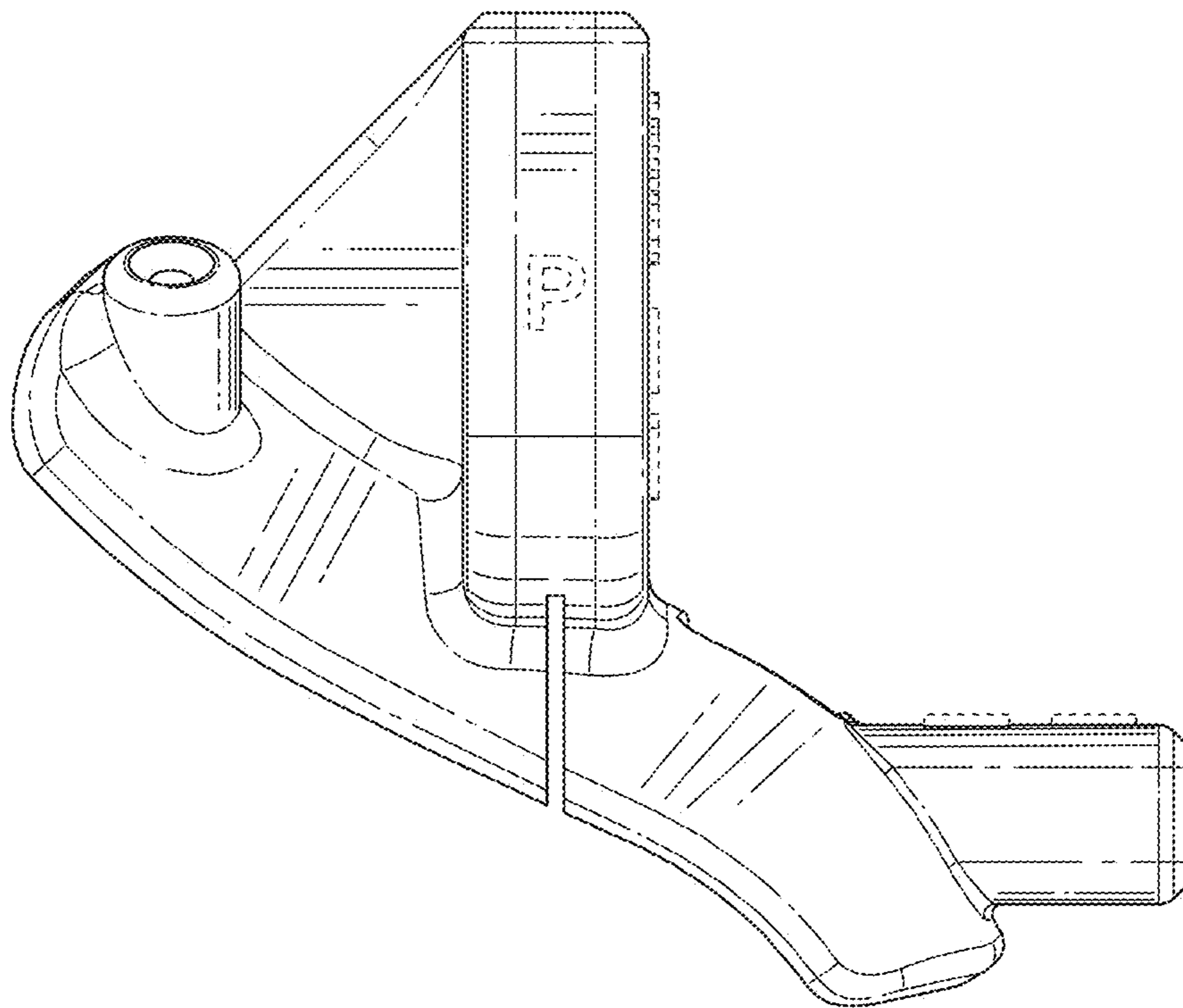


FIG. 4

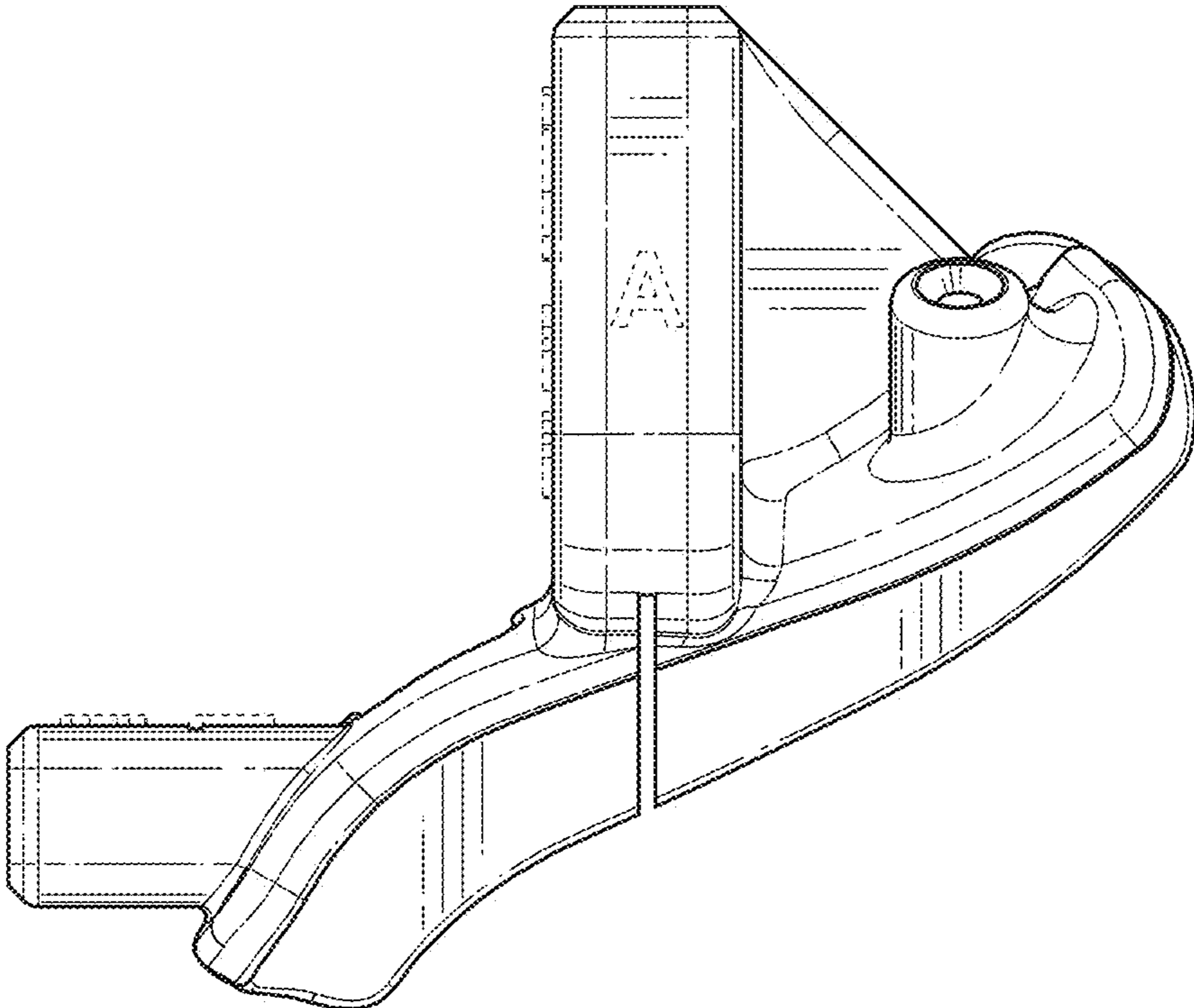


FIG. 5

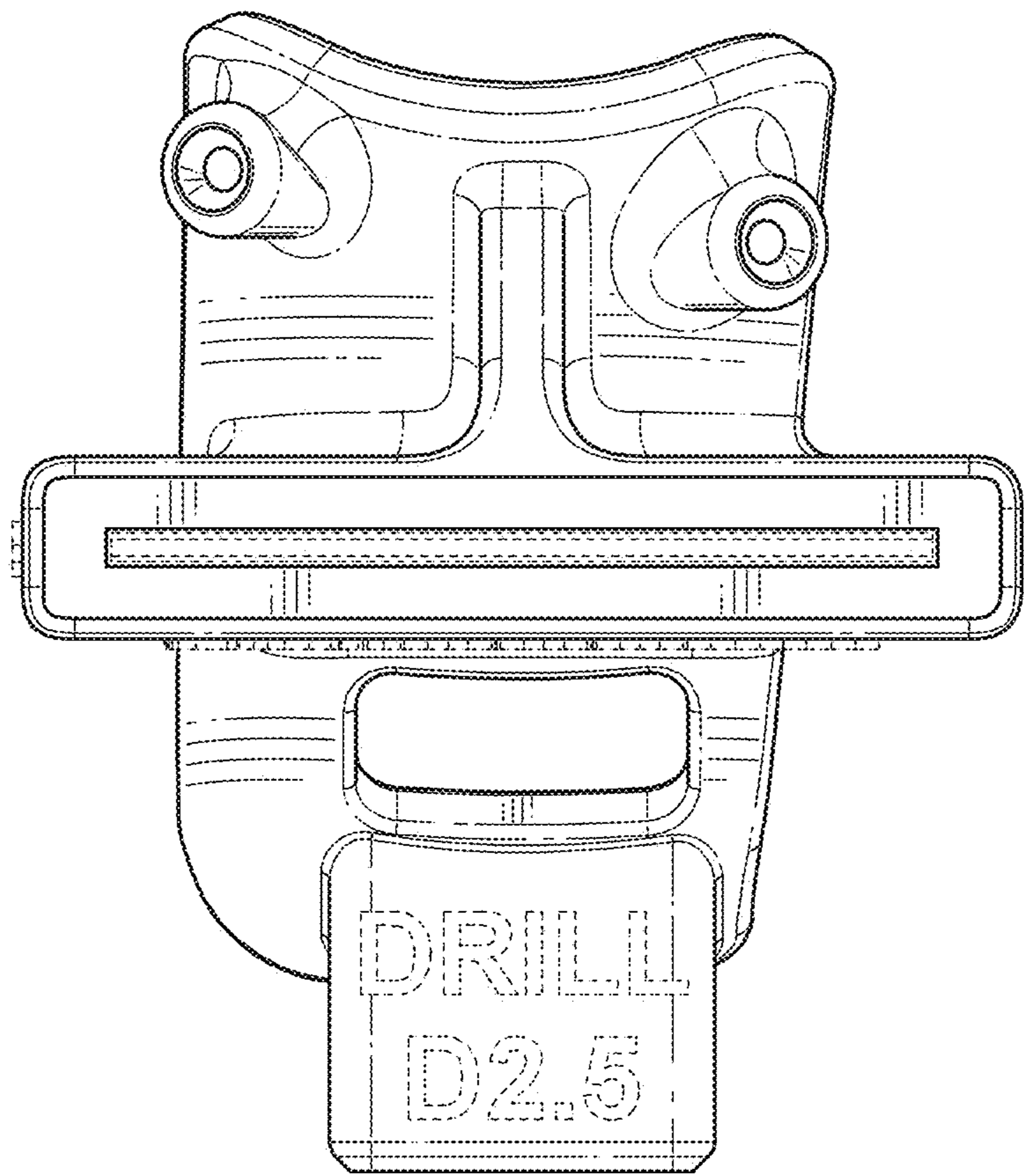


FIG. 6