



US00D897528S

(12) **United States Design Patent** (10) **Patent No.:** **US D897,528 S**
Perrault (45) **Date of Patent:** **** Sep. 29, 2020**

(54) **OPTICAL DEVICE**

(71) Applicant: **Welch Allyn, Inc.**, Skaneateles Falls, NY (US)

(72) Inventor: **Brian Perrault**, Skaneateles Falls, NY (US)

(73) Assignee: **WELCH ALLYN, INC.**, Skaneateles Falls, NY (US)

(**) Term: **15 Years**

(21) Appl. No.: **29/660,164**

(22) Filed: **Aug. 17, 2018**

(51) **LOC (12) Cl.** **24-02**

(52) **U.S. Cl.**
USPC **D24/137**

(58) **Field of Classification Search**
USPC D24/133, 137, 138, 150, 165, 172, D24/185, 186; 351/218, 221, 205, 206; 606/4; 320/111, 114, 138; 600/200
CPC A61B 1/227; A61B 3/1208; A61B 5/022; A61B 5/02233; A61B 5/02225; A61B 5/021; A61B 5/6824; A61B 5/742; A61B 5/02141; H02J 7/004; H01M 2/1055; H01M 10/46; H01M 2/1005; A61M 2230/30

See application file for complete search history.

(56) **References Cited**

U.S. PATENT DOCUMENTS

D207,372 S	4/1967	Pulos	
D243,973 S	4/1977	Pulos et al.	
D286,814 S	11/1986	Brainard, II et al.	
D298,630 S	11/1988	Sellars, Jr. et al.	
5,177,424 A *	1/1993	Connors	H02J 7/0042 310/50
5,200,772 A	4/1993	Perkins et al.	
5,202,710 A	4/1993	Perkins	
D358,471 S	5/1995	Cope et al.	

D377,393 S	1/1997	Sams
D379,514 S	5/1997	Laun et al.
D423,668 S	4/2000	Coe
D429,333 S	8/2000	Sander et al.
6,130,520 A	10/2000	Wawro et al.
D566,270 S	4/2008	Strom et al.
D566,838 S	4/2008	Slawson et al.
D594,555 S	6/2009	Hsu

(Continued)

OTHER PUBLICATIONS

3.5 V Diagnostic Oscopes [online] [retrieved Jun. 10, 2014]. Retrieved from the Internet: <URL:http://intl.welchallyn.com/apps/products/product.jsp?id=11-ac-100-000000001141>. (2011) 1 page.

(Continued)

Primary Examiner — Wan Laymon

Assistant Examiner — Mark Booker

(74) *Attorney, Agent, or Firm* — Alston & Bird LLP

(57) **CLAIM**

The ornamental design for an optical device, as shown and described.

DESCRIPTION

FIG. 1 is a perspective view of an optical device showing my new design;

FIG. 2 is another perspective view thereof;

FIG. 3 is a front elevation view thereof;

FIG. 4 is a rear elevation view thereof;

FIG. 5 is a right side elevation view thereof;

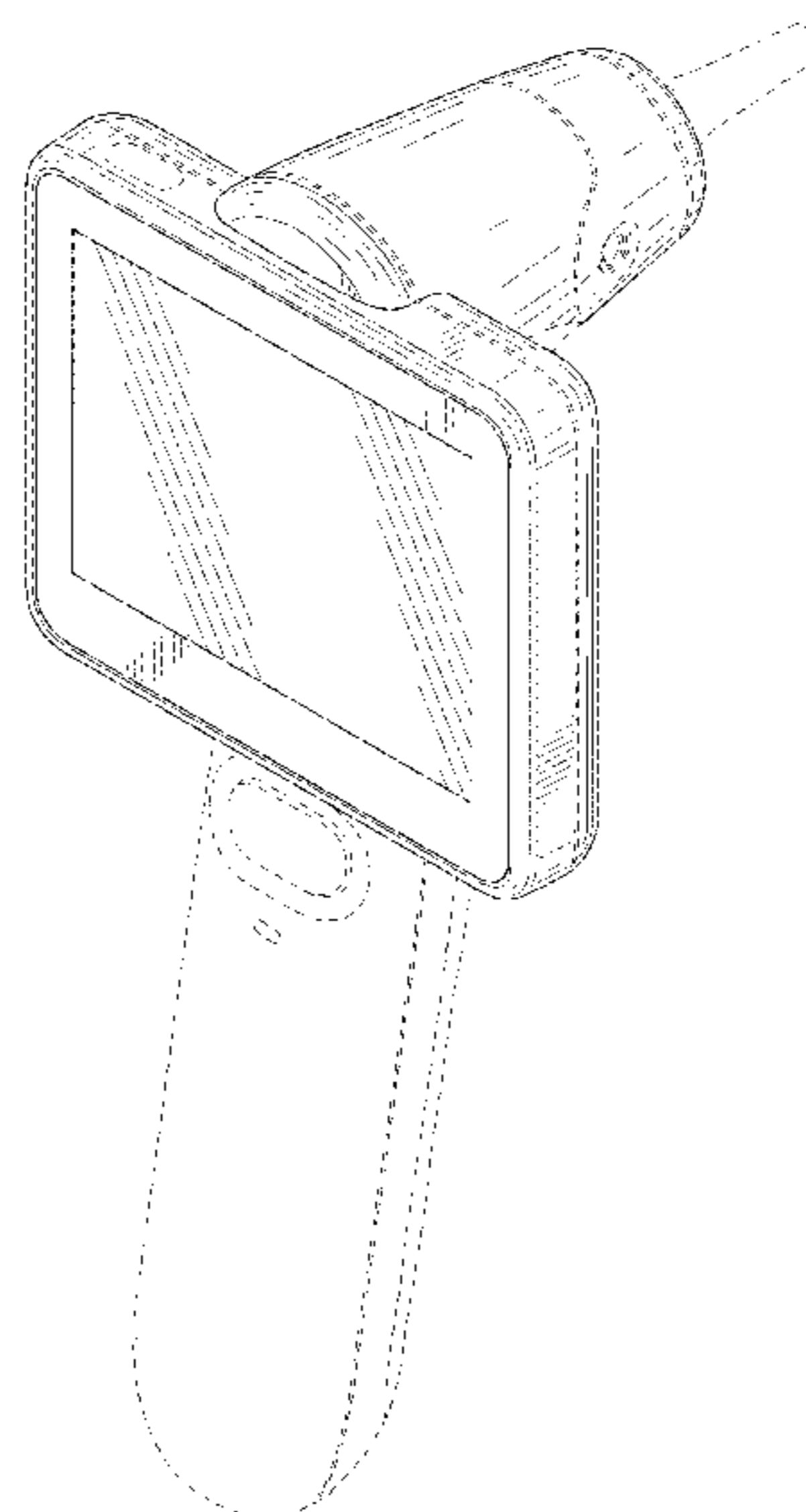
FIG. 6 is a left side elevation view thereof;

FIG. 7 is a top plan view thereof; and,

FIG. 8 is a bottom plan view thereof.

The dash broken lines shown in the figures represent portions of the optical device that form no part of the claimed design. The dash dot dash broken lines shown in the figures represents boundaries to the claimed design and forms no part of the claimed design.

1 Claim, 8 Drawing Sheets



(56)

References Cited

U.S. PATENT DOCUMENTS

D618,346	S	6/2010	Sisko et al.	
D618,794	S	6/2010	Onuma	
D619,708	S	7/2010	Ellman	
7,862,173	B1	1/2011	Ellman	
D635,256	S *	3/2011	Huang	D24/137
D635,257	S	3/2011	Ellman	
D637,715	S *	5/2011	Clarke	D24/137
D667,040	S *	9/2012	Holmes	D16/206
D671,214	S *	11/2012	Funakoshi	D24/138
8,459,844	B2	6/2013	Lia et al.	
D708,326	S	7/2014	Wang et al.	
D708,327	S	7/2014	Wang et al.	
D709,191	S	7/2014	Wood et al.	
D722,165	S *	2/2015	Pukall	D24/165
D736,918	S	8/2015	Liu	
D737,823	S	9/2015	Partridge et al.	
D760,388	S	6/2016	Slawson et al.	
D760,895	S	7/2016	McMahon et al.	
D776,809	S	1/2017	Vallee et al.	
D802,768	S *	11/2017	Rider	D24/165
D835,271	S *	12/2018	Myers	D24/137
2004/0039251	A1	2/2004	Roberts et al.	
2010/0191063	A1 *	7/2010	Hsu	A61B 1/227 600/200

OTHER PUBLICATIONS

3.5 V Standard Ophthalmoscope [online] [retrieved Jun. 10, 2014].
Retrieved from the Internet: <URL:http://intel.welchallyn.com/apps/

products/product.jsp?id=11-ac-100-000000001137>. (2011) 1,page.
PocketScope Ophthalmoscope [online] [retrieved Jun. 10, 2014].
Retrieved from the Internet: <URL:http://intel.welchallyn.com/apps/
products/product.jsp?id=11-ac-100-000000001139>. (2011) 1 page.
PocketScope Oscope with Throat Illuminator [online] [retrieved
Jun. 10, 2014]. Retrieved from the Internet: <URL:http://intel.
welchallyn.com/apps/products/product.jsp?id=11-ac-100-
000000001148. (2011) 1 page.
Welch Allyn 2.5v PocketScope Ophthalmoscope with AA Handle
(Model 12820) [online] [retrieved Jun. 10, 2014]. Retrieved from
the Internet:<URL: http://www.amazon.com/Welch-allyn-PocketScope-
Ophthalmoscope-Handle/dp/B002MBRHROQ/repd_sim_sbs_hpc_
1?ie=UTF8&refRID=0KV7EFBWEAQ08K . . . >. (undated) 2
pages.
Welch Allyn Oscope/opthalmoscope Diagnostic Set MOD 95001
[online] [retrieved Jun. 10, 2014]. Retrieved from the Internet:
<URL:http://www.amazon.com/Welch-Allyn-opthalmoscope-
MOD95001/dp/BOOORJXUDS/ref=pd_sxp_grid_pt_0_1>. (undated)
2 pages.
Welch Allyn PocketScope Oscope w/“AA” Handle and Soft Case,
1/Ea, 22821 [online] [retrieved Jun. 10, 2014]. Retrieved from the
Internet: <URL:http://www.amazon.com/Welch-Allyn-PocketScope-
Oscope-22821/dp/BOOOROJ8UW/re-pd_sim_hpc_3?ie=UTF8
&refRID=13090GMJV3SHNBVAQPKS>. (undated) 2 pages.
Design U.S. Appl. No. 29/544,302, filed Nov. 2, 2015, in Re: Myers
et al., “Optical Imaging Device”.
Design U.S. Appl. No. 29/650,401, filed Jun. 6, 2018, in Re:
Knieriem et al., “Medical Device”.
Design U.S. Appl. No. 29/654,308, filed Jun. 22, 2018, in Re:
Englert et al., “Medical Device”.

* cited by examiner

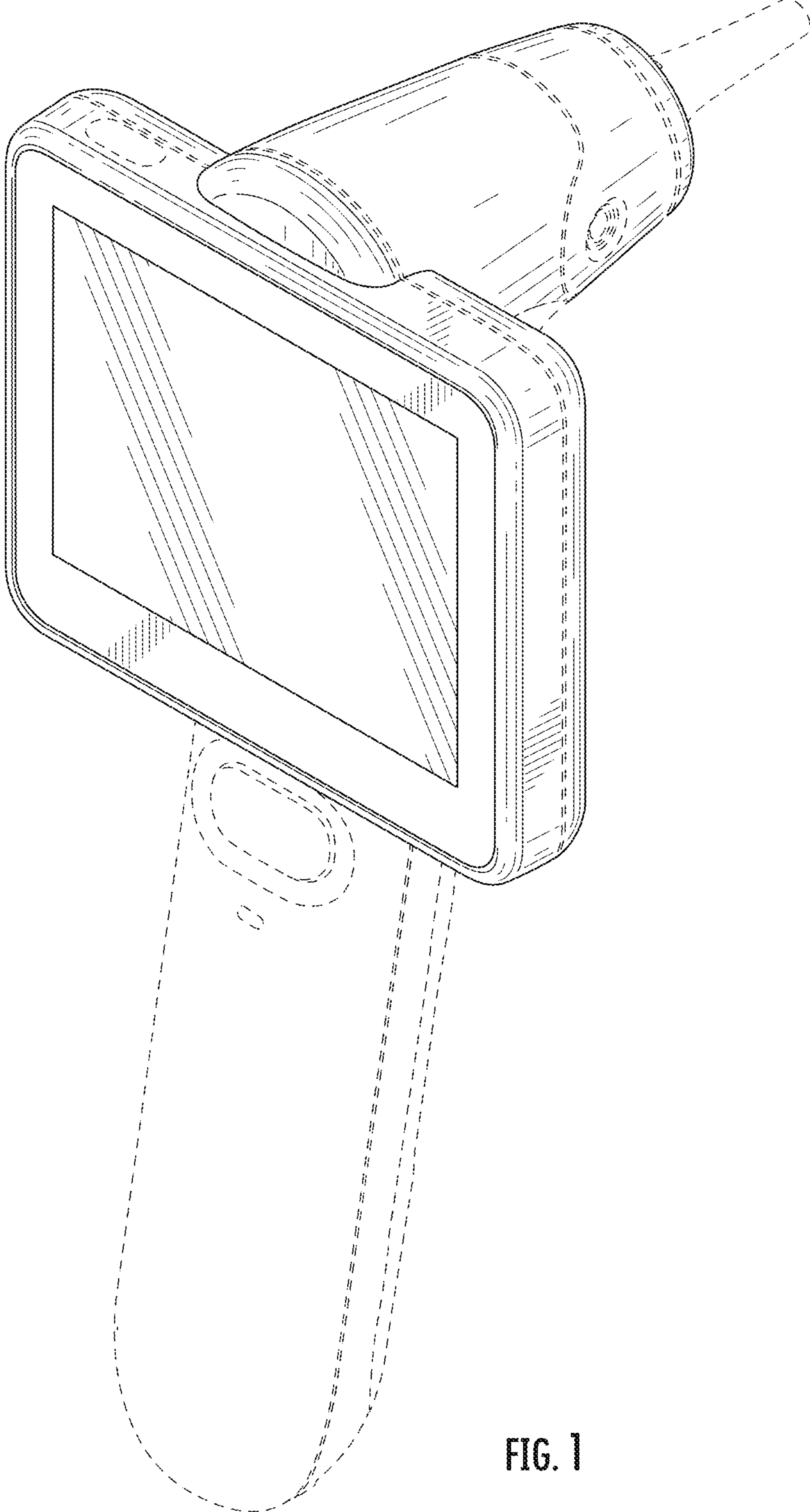


FIG. 1

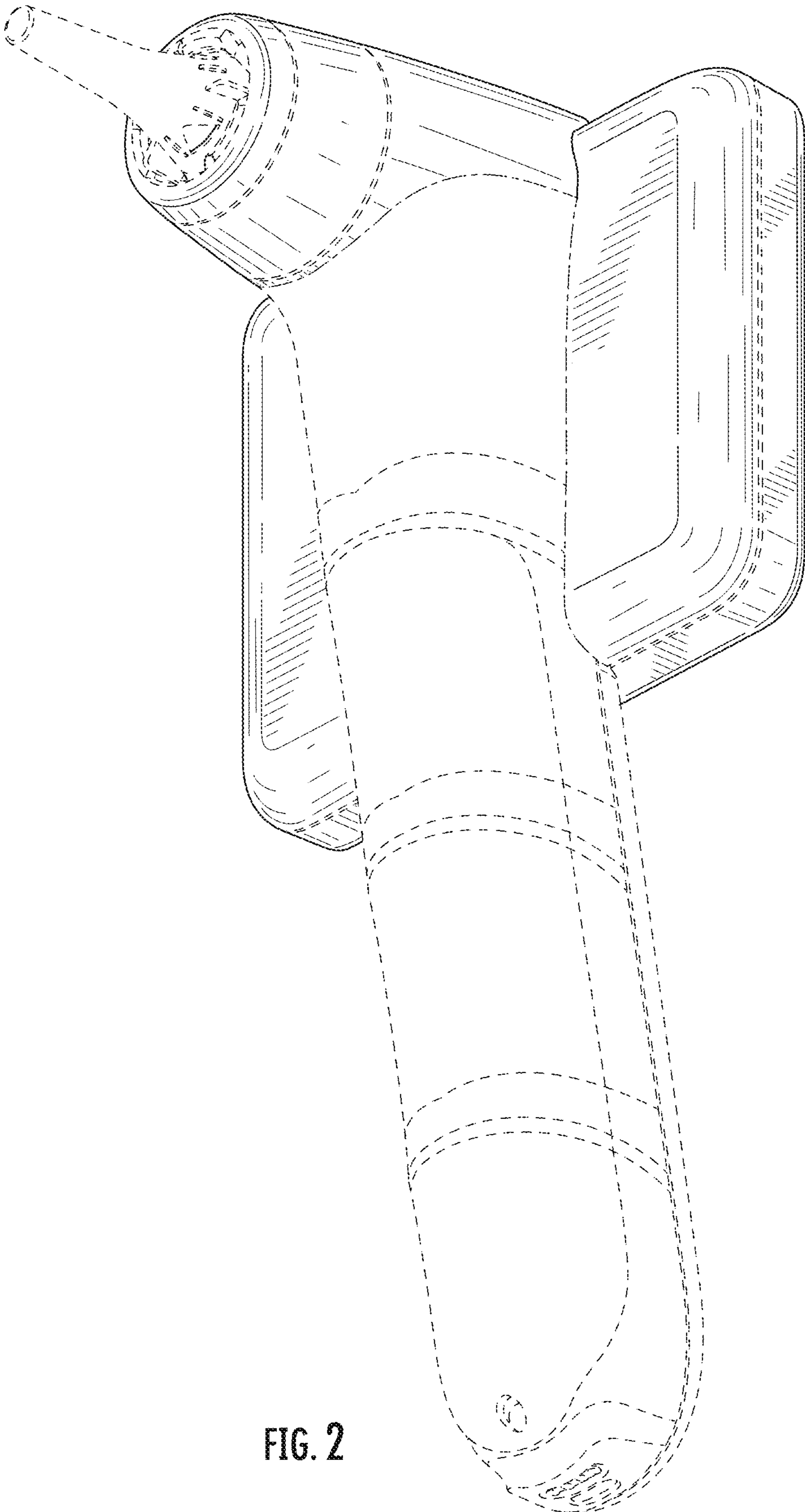


FIG. 2

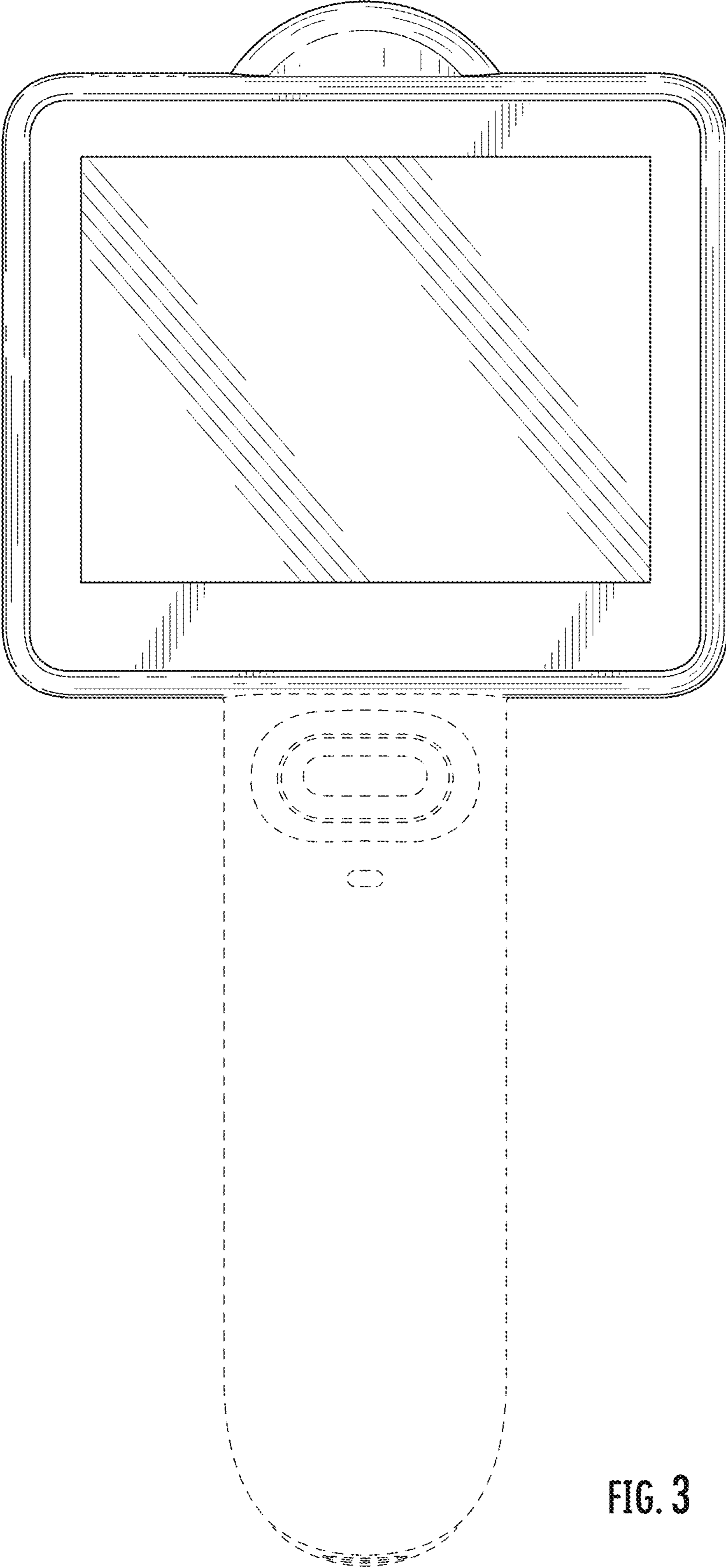


FIG. 3

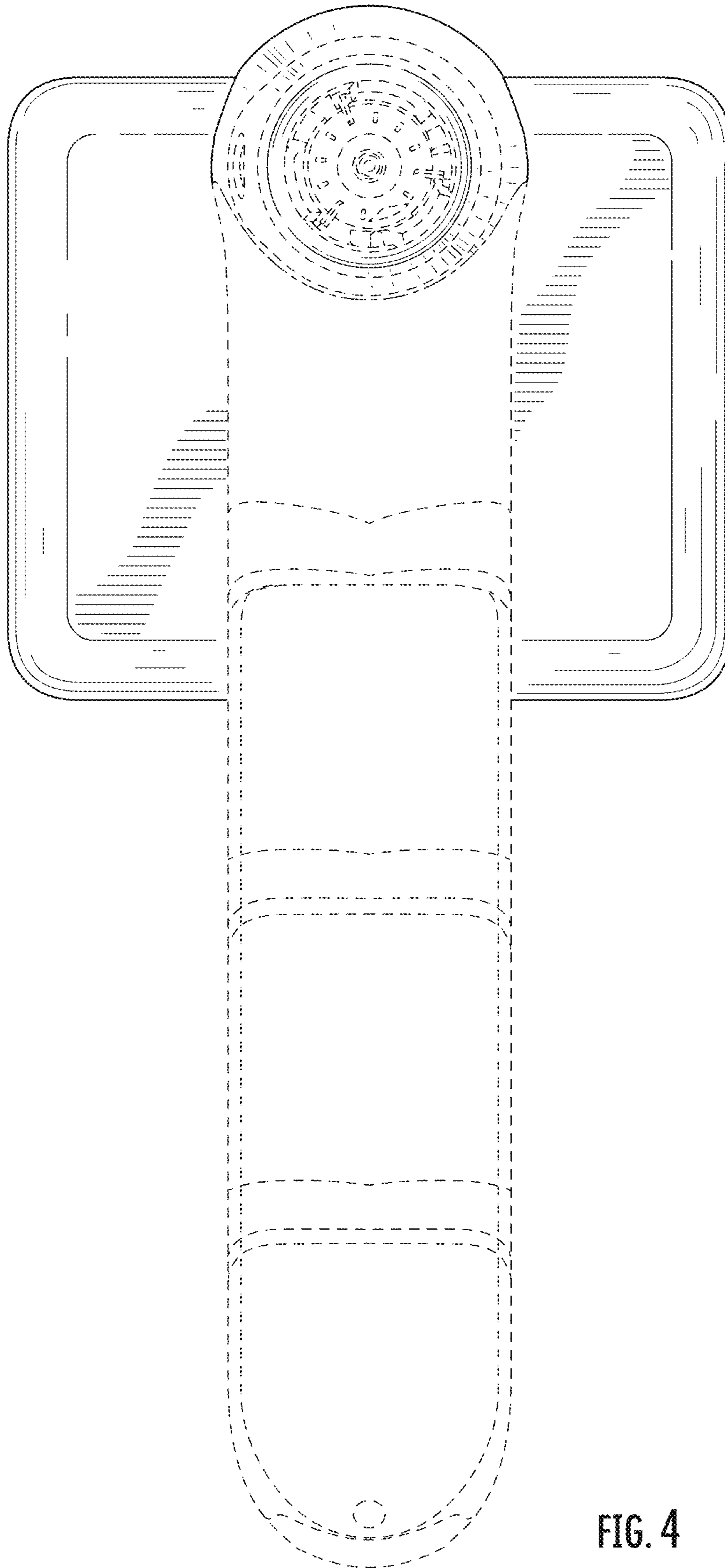


FIG. 4

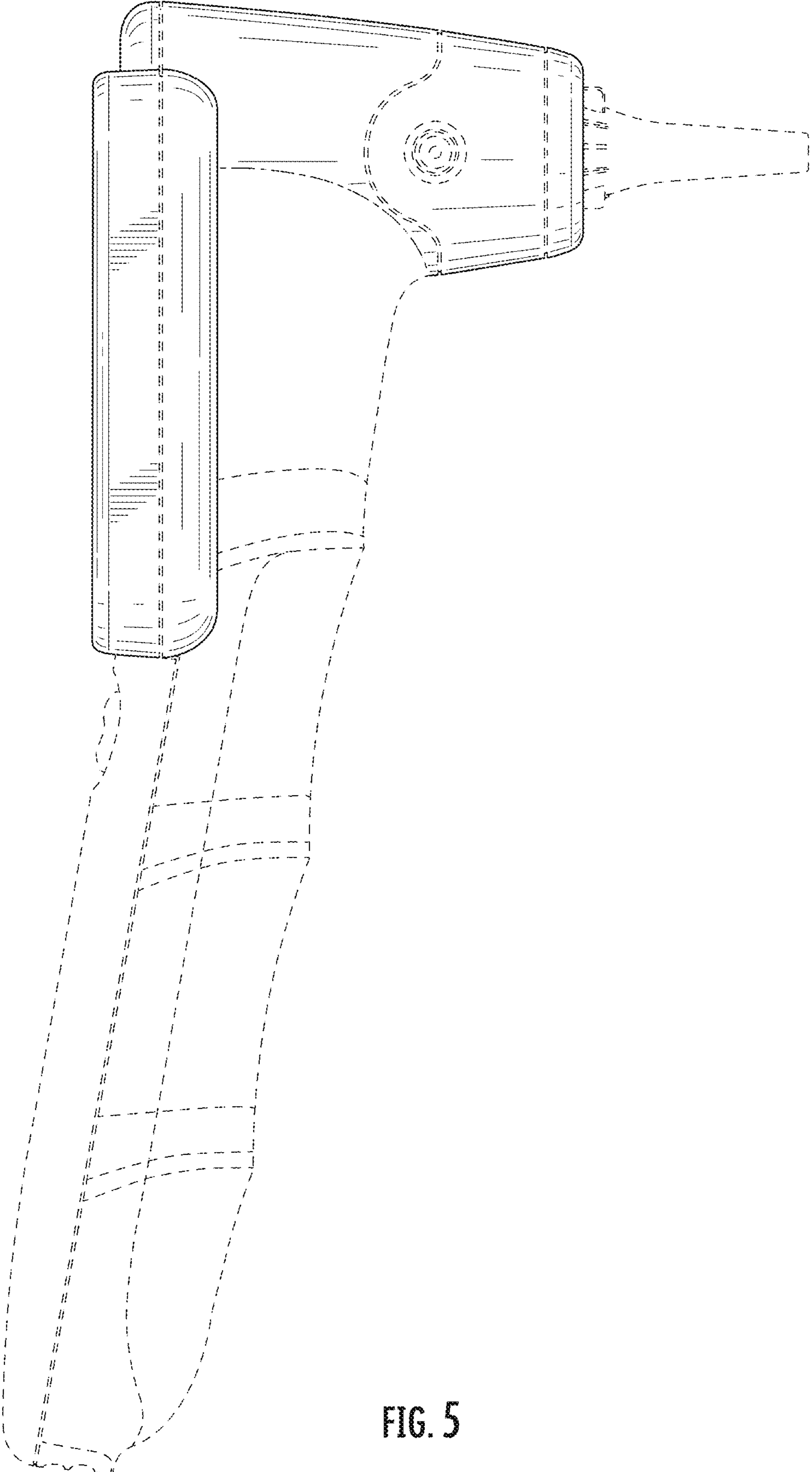


FIG. 5

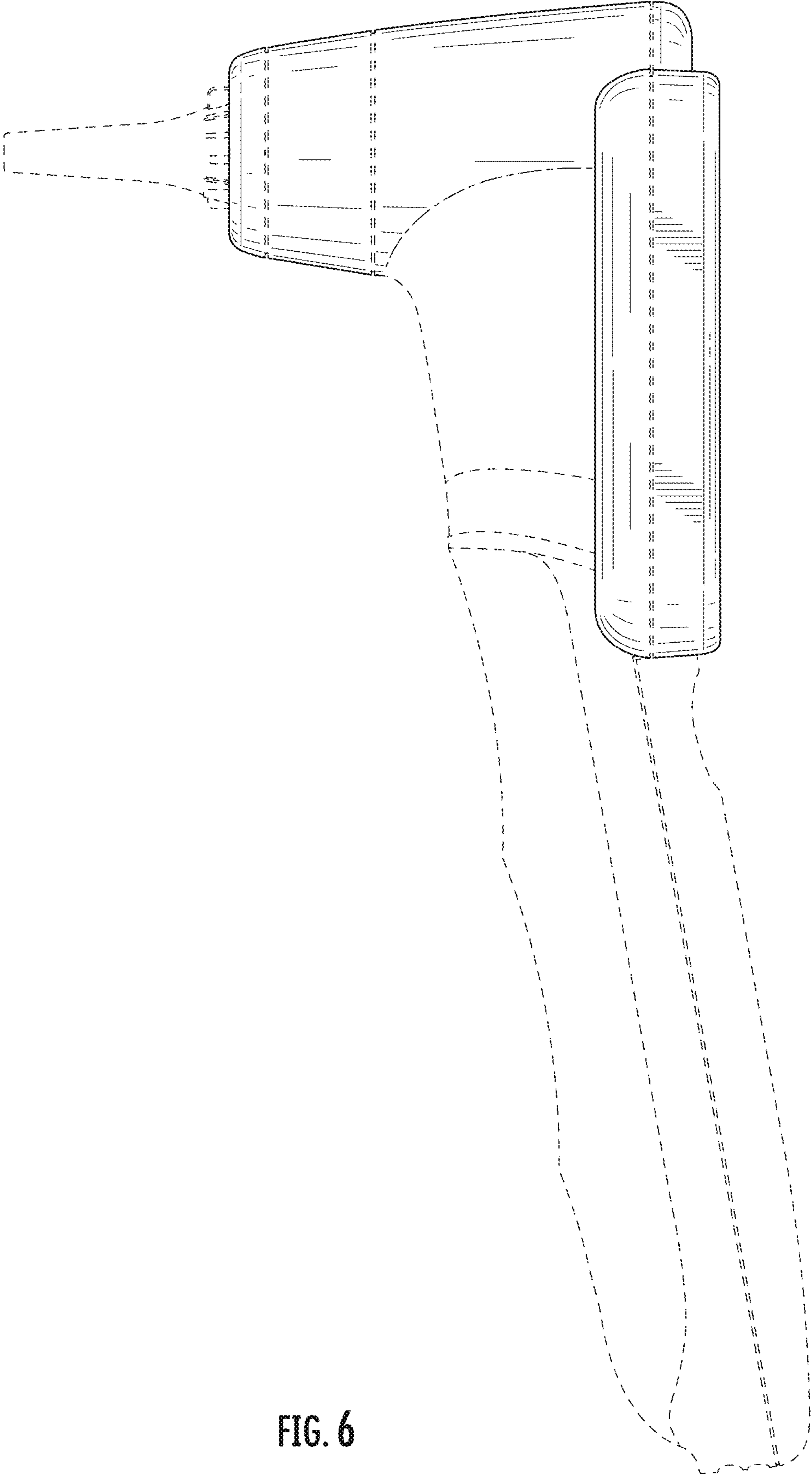


FIG. 6

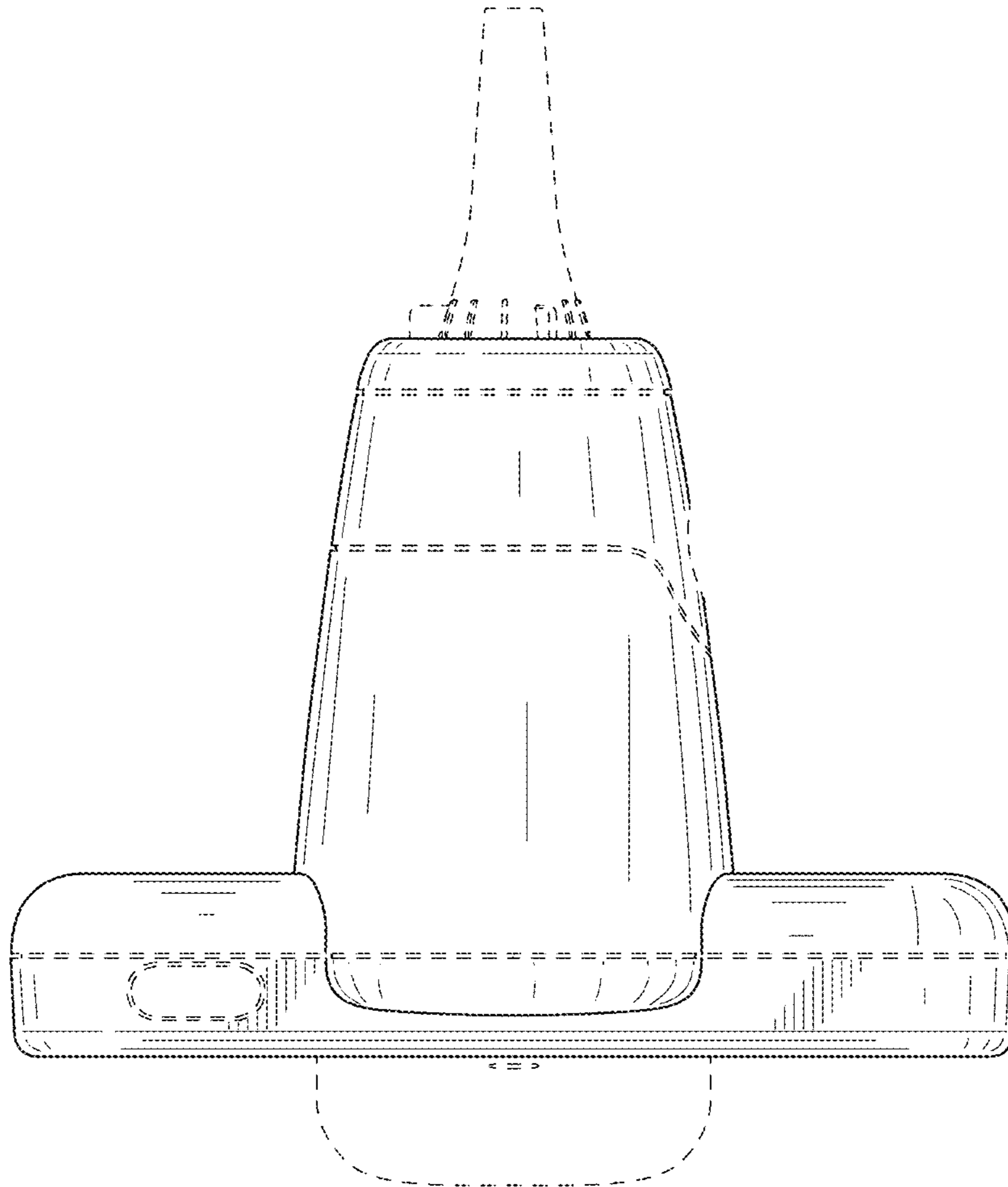


FIG. 7

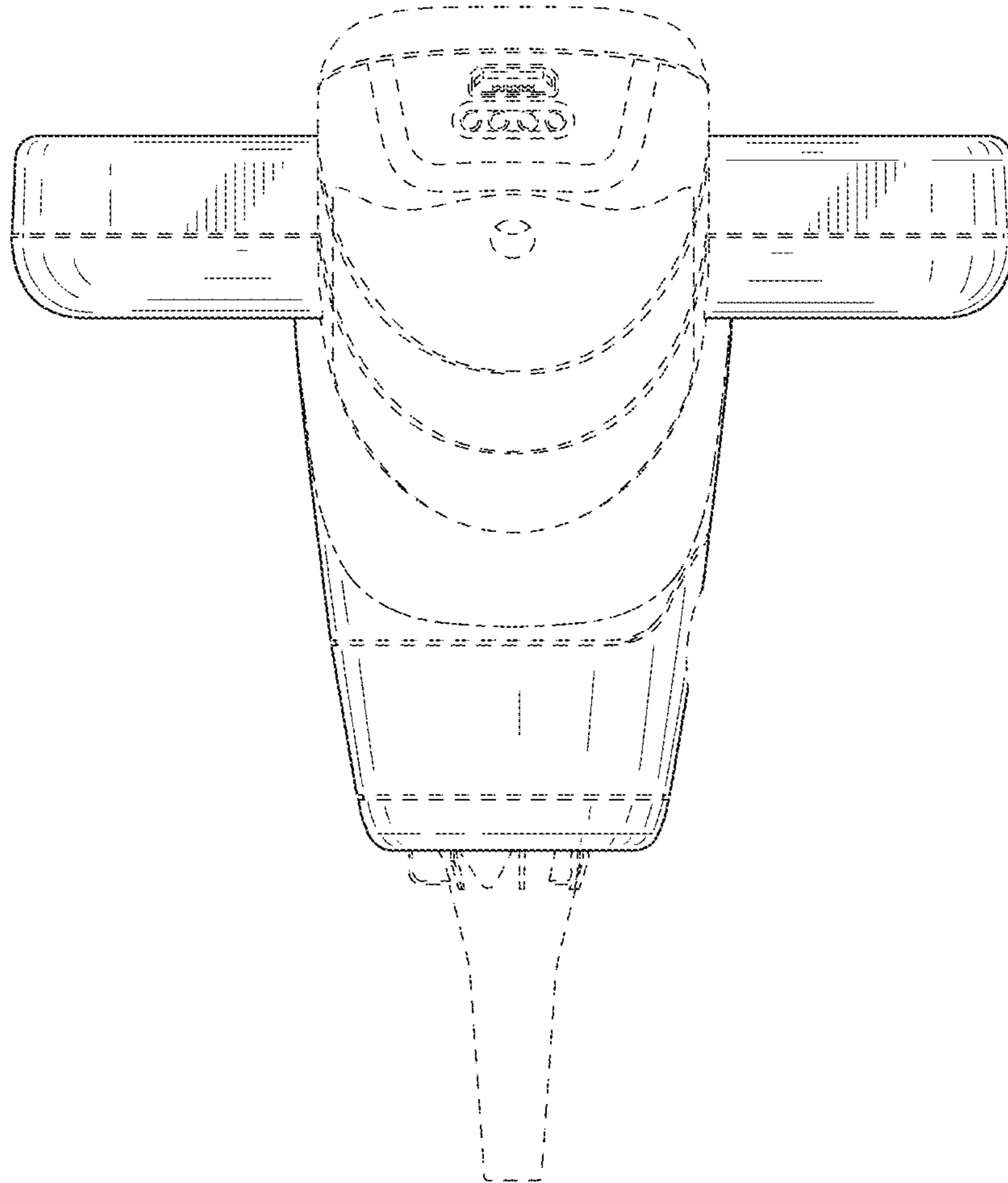


FIG. 8