



US00D897527S

(12) **United States Design Patent** (10) **Patent No.:** **US D897,527 S**
Zahler et al. (45) **Date of Patent:** **** Sep. 29, 2020**

(54) **FIXATION HANDLE**

(71) Applicant: **KARL STORZ SE & Co. KG**,
Tuttlingen (DE)

(72) Inventors: **Sabine Zahler**, Tuttlingen (DE);
Evelyna Greb, Tuttlingen (DE);
Annika Witte, Tuttlingen (DE)

(73) Assignee: **KARL STORZ SE & Co. KG**,
Tuttlingen (DE)

(**) Term: **15 Years**

(21) Appl. No.: **29/668,831**

(22) Filed: **Nov. 2, 2018**

(30) **Foreign Application Priority Data**

May 4, 2018 (EM) 005258290-0001

(51) **LOC (12) Cl.** **24-02**

(52) **U.S. Cl.**
USPC **D24/133**

(58) **Field of Classification Search**
USPC D24/133, 134, 137, 138, 142, 200;
D8/14, 16, 19, 21, 82, 83, 84, 85, 86,
D8/107, 34, 300, 303, 314, 372, 374, 394
CPC A61B 17/62; A61B 17/64; A61B 17/645;
A61B 17/00

See application file for complete search history.

(56) **References Cited**

U.S. PATENT DOCUMENTS

D773,043 S * 11/2016 Ingram D24/137
D788,831 S * 6/2017 Pilz D10/46

D842,987 S * 3/2019 Theobald D24/133
2005/0225082 A1 * 10/2005 Dalle A61M 39/1011
285/330
2014/0277503 A1 * 9/2014 Mendel A61F 2/4611
623/17.16
2016/0058575 A1 * 3/2016 Sutterlin, III A61F 2/4465
623/17.16
2017/0224383 A1 * 8/2017 Wong A61B 17/62
2018/0172182 A1 * 6/2018 Matz F16L 3/233
2018/0177530 A1 * 6/2018 Wong A61B 17/62
2018/0280106 A1 * 10/2018 DeFusco A61B 90/14
2019/0307486 A1 * 10/2019 Buyda A61B 17/3498

* cited by examiner

Primary Examiner — Manpreet S Matharu

Assistant Examiner — Yolanda Robinson

(74) *Attorney, Agent, or Firm* — Muncy, Geissler, Olds & Lowe, P.C.

(57) **CLAIM**

The ornamental design for a fixation handle, as shown and described.

DESCRIPTION

FIG. 1 is a front perspective view of a fixation handle according to the present invention.

FIG. 2 is a front view of the fixation handle of FIG. 1.

FIG. 3 is a rear view of the fixation handle of FIG. 1.

FIG. 4 is a left side view of the fixation handle of FIG. 1.

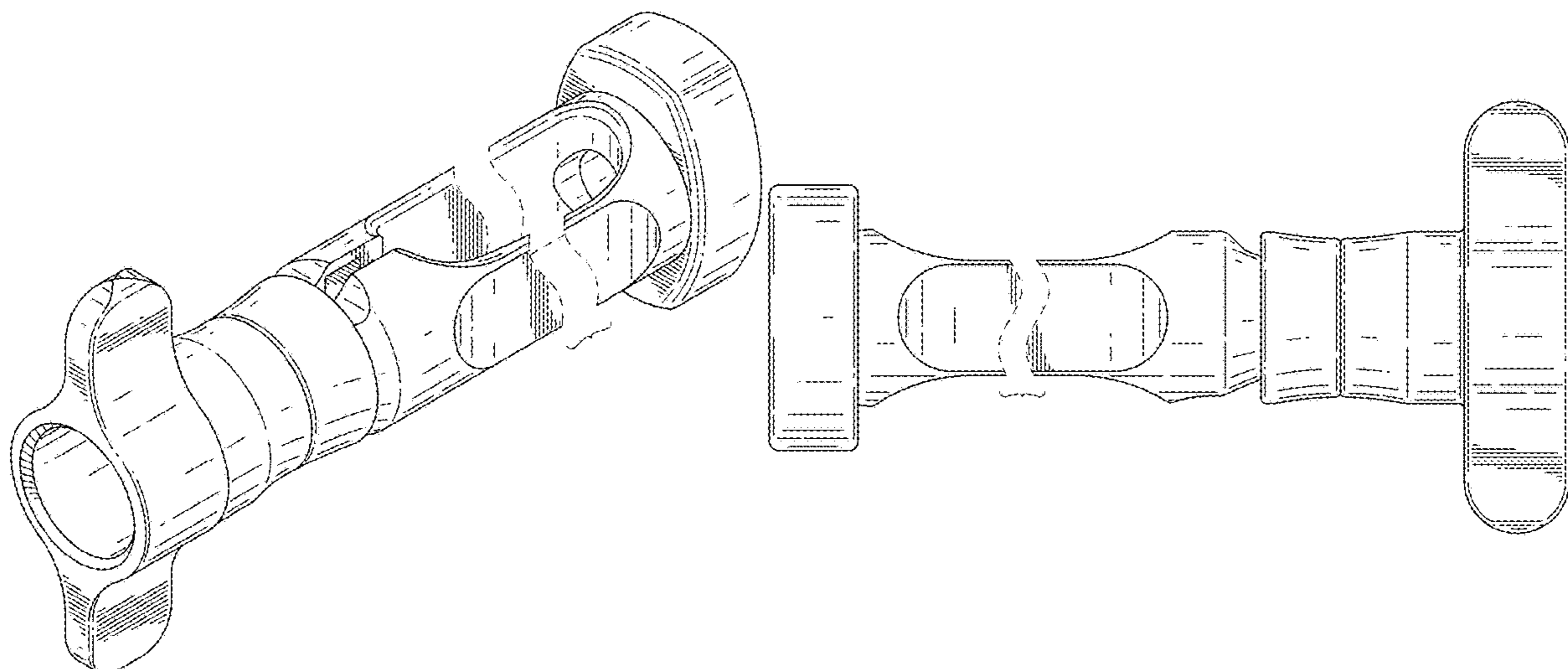
FIG. 5 is a right side view of the fixation handle of FIG. 1.

FIG. 6 is a top view of the fixation handle of FIG. 1; and,

FIG. 7 is a bottom view of the fixation handle of FIG. 1.

The dashed lines illustrate environment that does not form a part of the present invention, and no claim is made to the material illustrated with dashed lines.

1 Claim, 7 Drawing Sheets



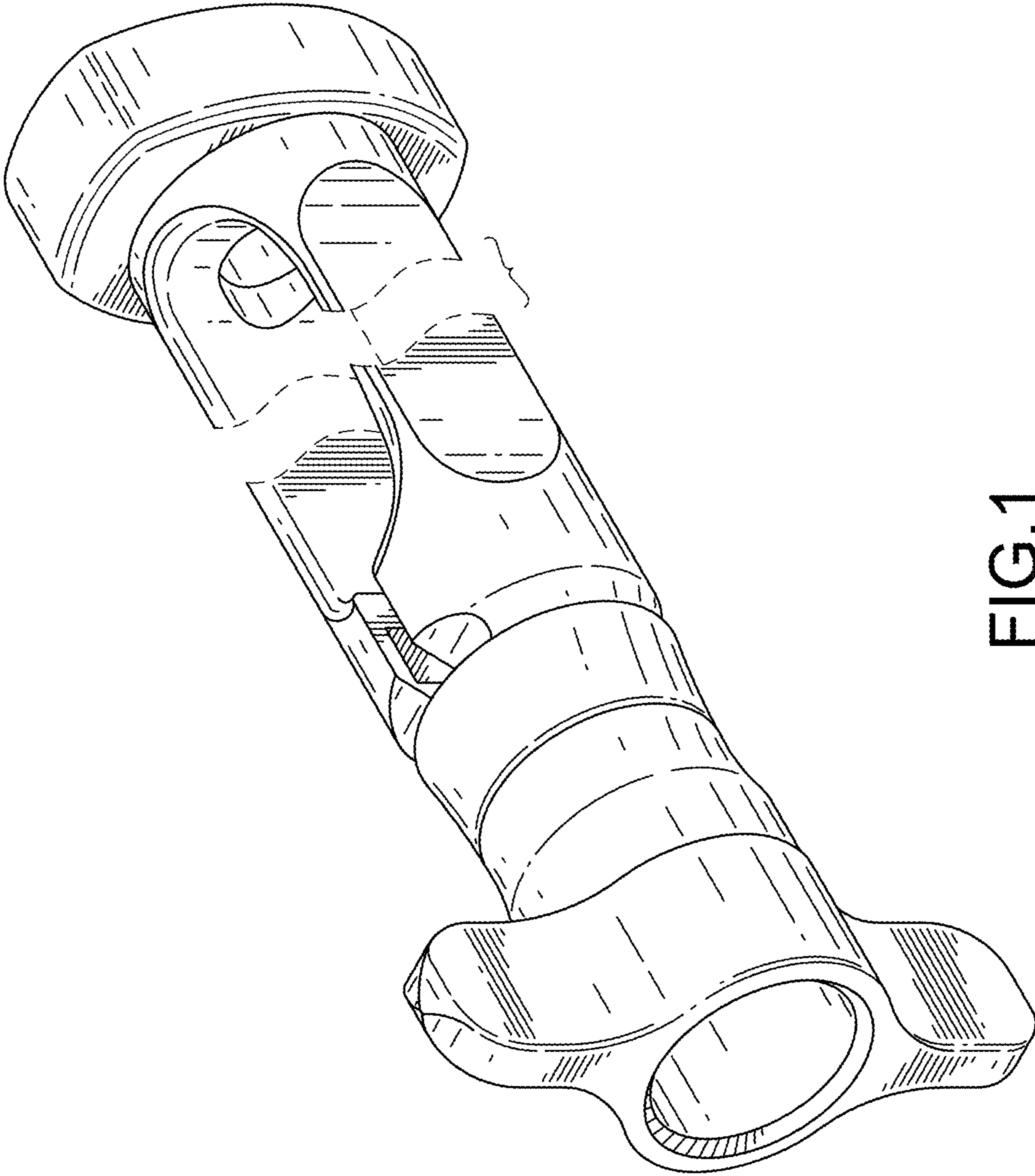


FIG.1

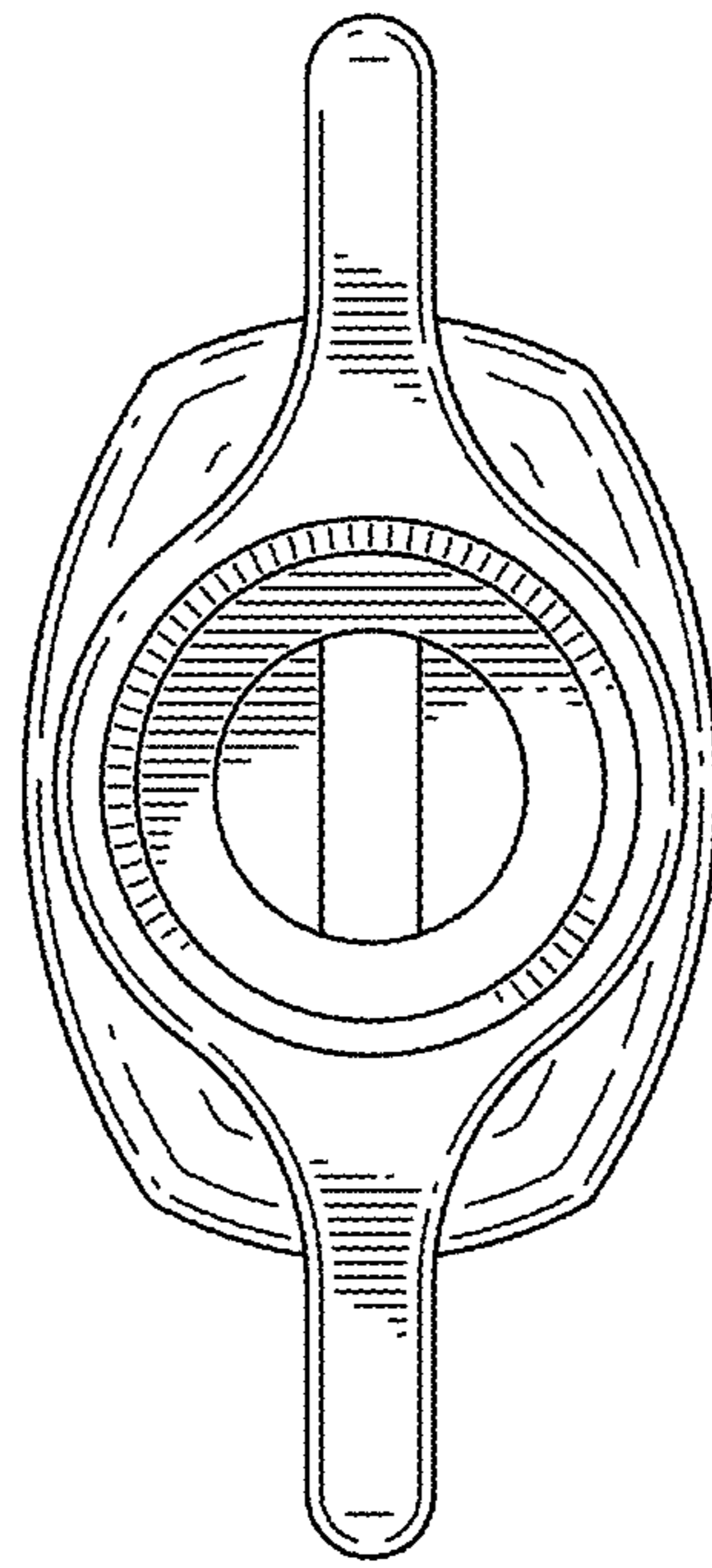


FIG.2

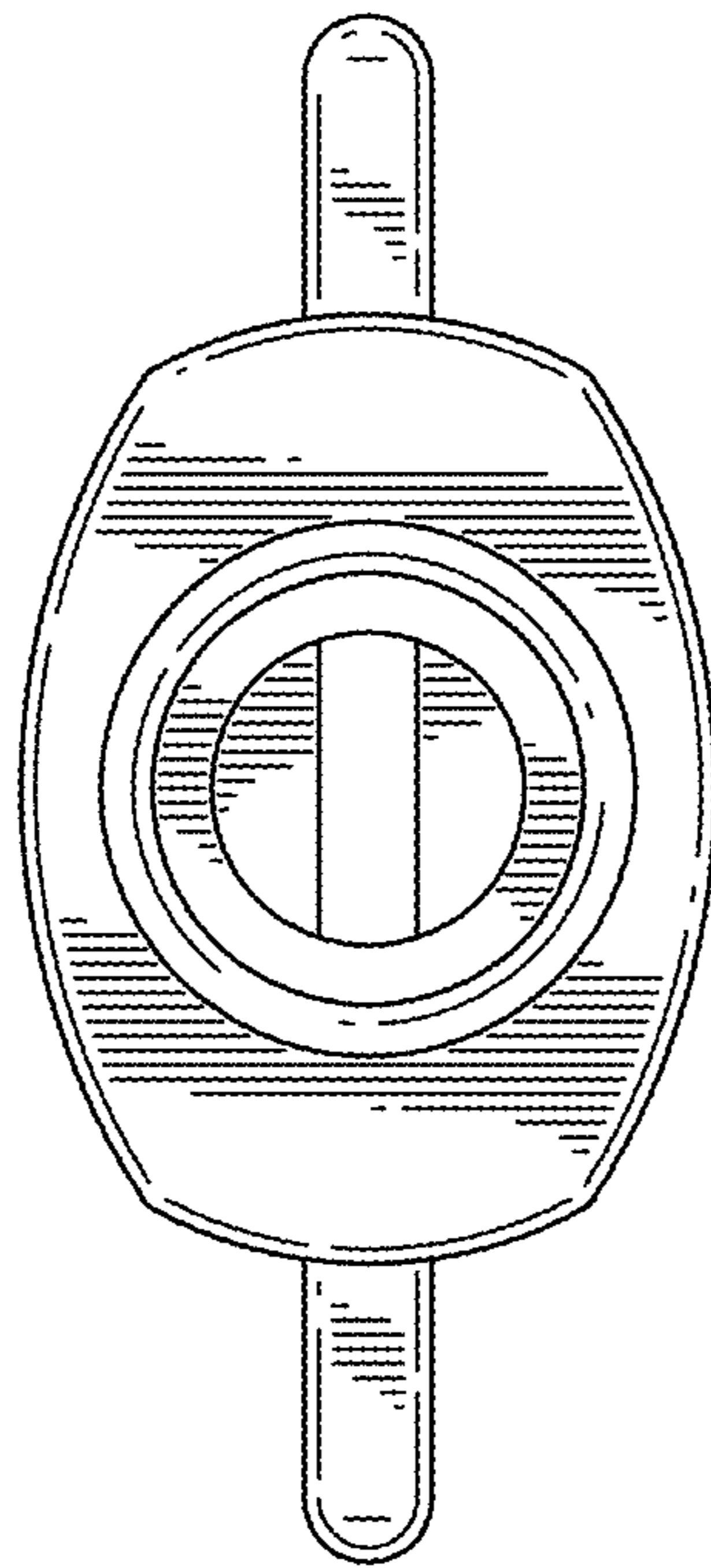


FIG.3

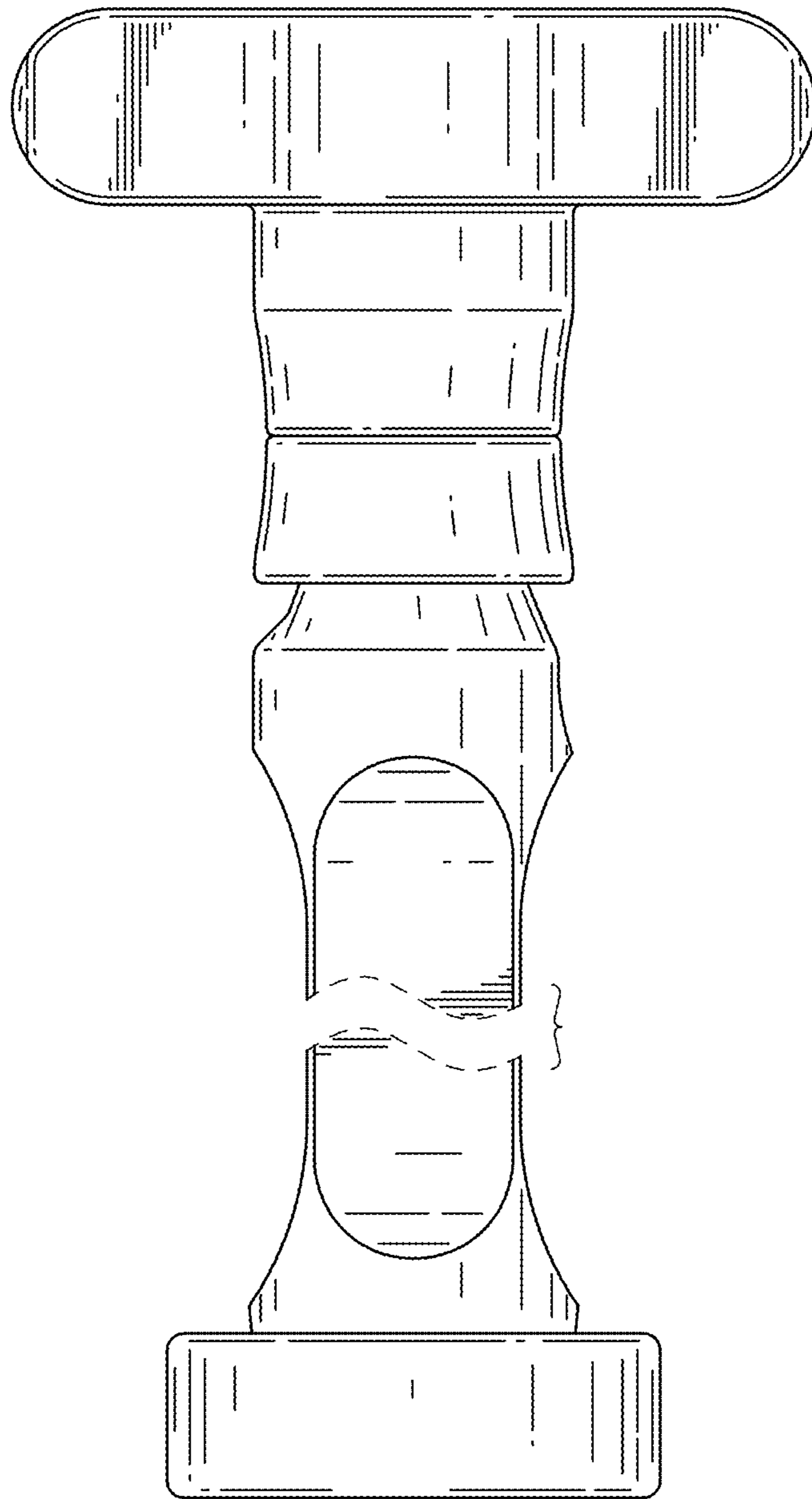


FIG.4

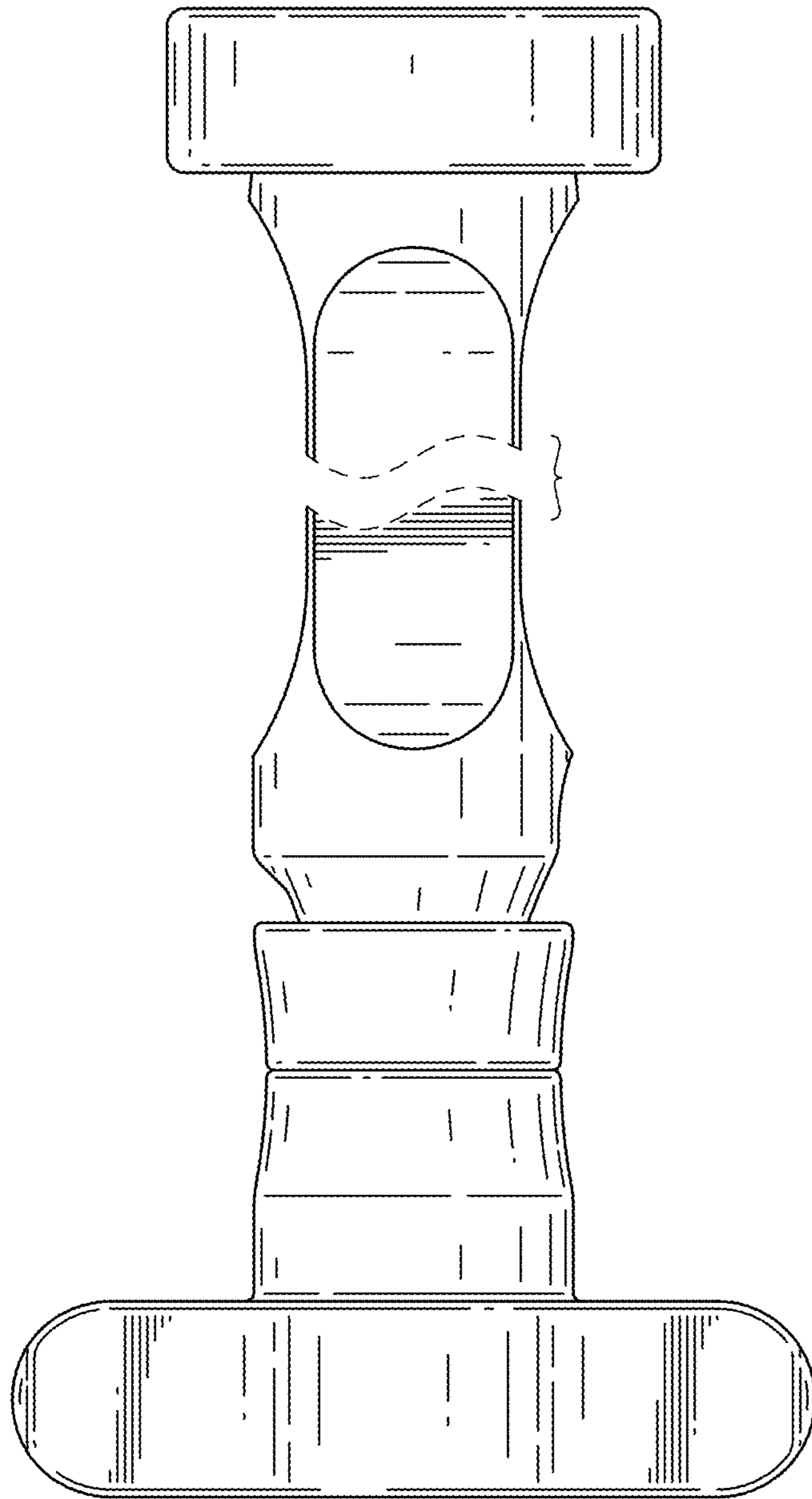


FIG.5

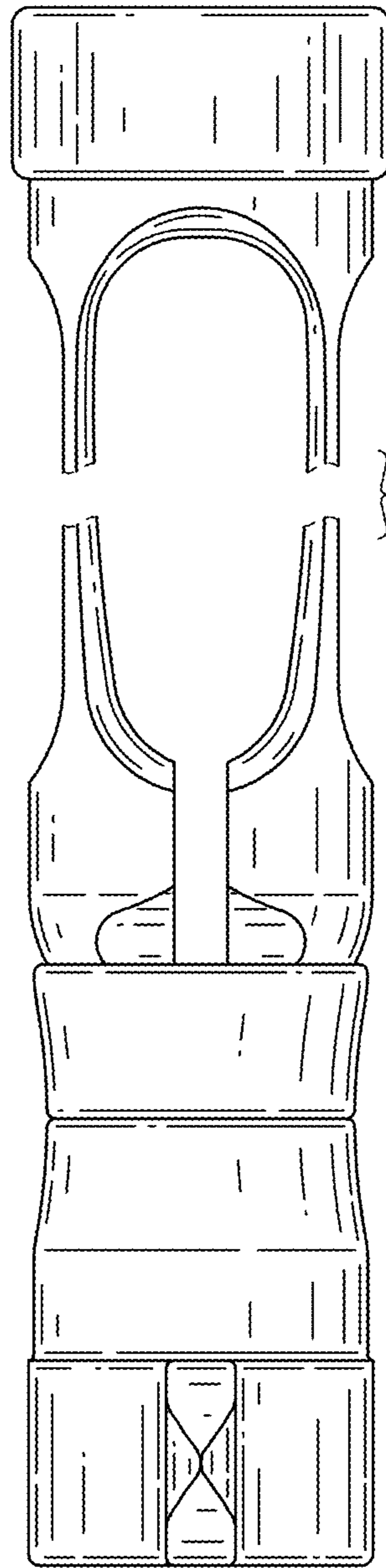


FIG.6

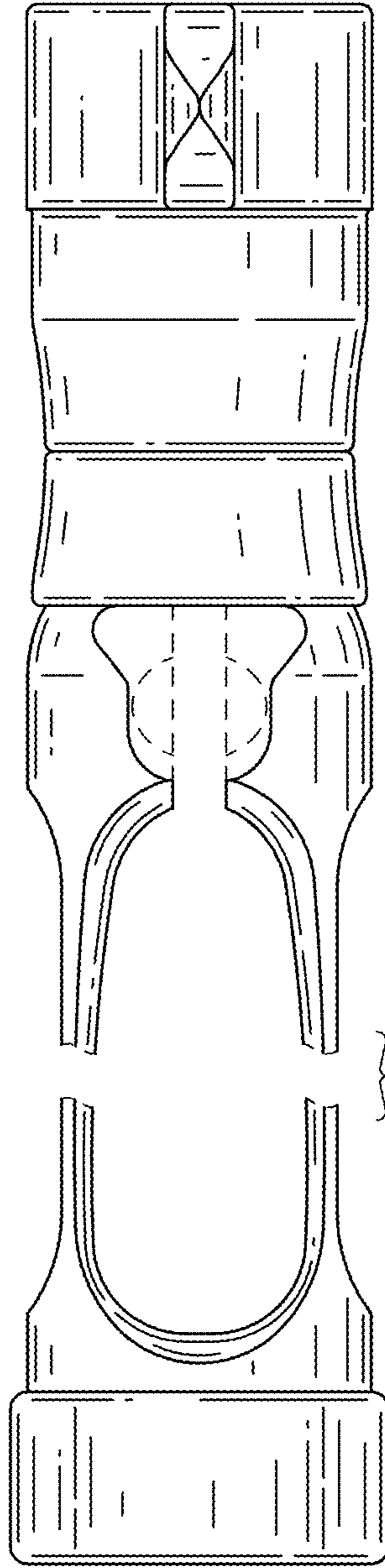


FIG.7