



US00D897526S

(12) **United States Design Patent** (10) **Patent No.:** **US D897,526 S**
Fites et al. (45) **Date of Patent:** **** *Sep. 29, 2020**

(54) **ABSORBENT ARTICLE SUBSTRATE WITH A PATTERN**

(71) Applicant: **The Procter & Gamble Company**,
Cincinnati, OH (US)
(72) Inventors: **Theodore Cory Fites**, Cincinnati, OH
(US); **Sarah Ann Sanborn**, Cincinnati,
OH (US); **Jennifer Lynn DuSold**,
Cincinnati, OH (US)

(73) Assignee: **The Procter & Gamble Company**,
Cincinnati, OH (US)

(*) Notice: This patent is subject to a terminal dis-
claimer.

(**) Term: **15 Years**

(21) Appl. No.: **29/602,313**

(22) Filed: **May 1, 2017**

Related U.S. Application Data

(62) Division of application No. 29/494,315, filed on Jun.
19, 2014, now Pat. No. Des. 789,525.

(51) **LOC (12) Cl.** **24-04**

(52) **U.S. Cl.**
USPC **D24/126**

(58) **Field of Classification Search**
USPC D24/124–126; D5/60, 21, 25, 26, 35, 39,
D5/29, 47, 59, 61
CPC A61F 13/476; A61F 13/4704; A61F
13/47245; A61F 13/4702; A61F 13/533;
A61F 13/47263; A61F 13/15203; B32B
3/266; B41M 3/12; B41M 3/18; B44F
1/00; B44F 3/00; B44F 5/00; B44F 9/10;
B44F 11/04; B44F 11/06; D03D 1/0047;
D03D 25/003; D04H 1/00; D10B
2503/04; D21H 27/02

See application file for complete search history.

(56) **References Cited**

U.S. PATENT DOCUMENTS

D354,130 S *	1/1995	Johnson	D24/126
D354,809 S *	1/1995	Eskey	D24/126
D386,582 S *	11/1997	Levine	D24/126
D423,098 S *	4/2000	Stancyk, Jr.	D24/124
D567,371 S *	4/2008	Diego	D24/126
D625,000 S *	10/2010	Stewart	D24/126
D631,539 S *	1/2011	Stonebraker	D24/126

(Continued)

Primary Examiner — Michelle E. Wilson

(74) *Attorney, Agent, or Firm* — Brian M. Bolam;
Andrew J. Hagerty

(57) **CLAIM**

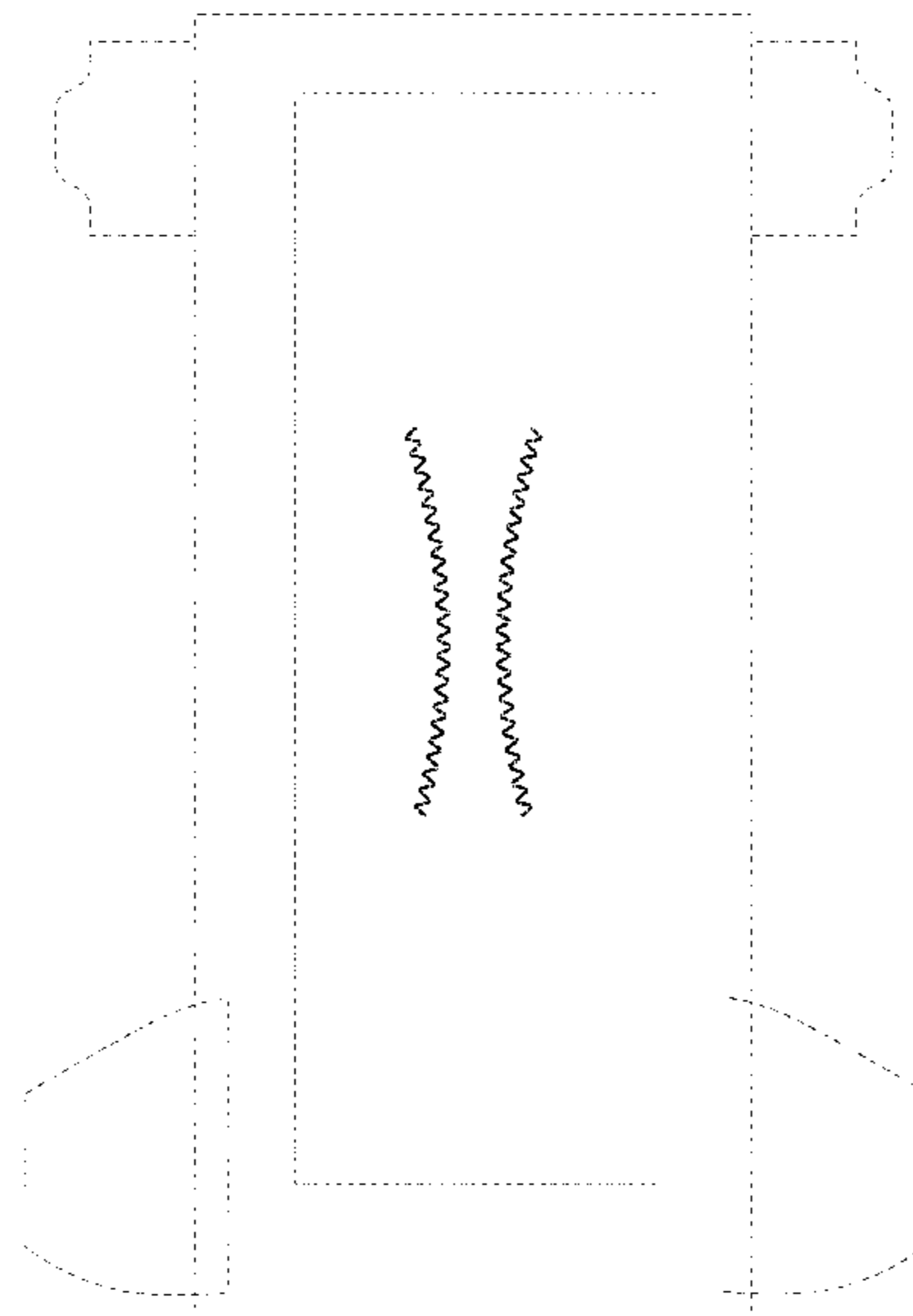
The ornamental design for an absorbent article substrate
with a pattern, as shown and described.

DESCRIPTION

FIG. 1 is a front view of an embodiment of an absorbent
article substrate with a pattern;
FIG. 2 is a rear view of the embodiments of an absorbent
article substrate with a pattern shown in each of FIG. 1;
FIG. 3 is a top end view of the embodiments of an absorbent
article substrate with a pattern shown in each of FIG. 1;
FIG. 4 is a left side view of the embodiments of an absorbent
article substrate with a pattern shown in each of FIG. 1;
FIG. 5 is a right side view of the embodiments of an
absorbent article substrate with a pattern shown in each of
FIG. 1; and,
FIG. 6 is a bottom end view of the embodiments of an
absorbent article substrate with a pattern shown in each of
FIG. 1.

The broken lines, including those showing the diaper tabs
and ears, are included for the purpose of illustrating envi-
ronment and form no part of the claimed design.

1 Claim, 3 Drawing Sheets



(56)

References Cited

U.S. PATENT DOCUMENTS

D637,286	S	*	5/2011	Boyd	D24/126
D638,535	S	*	5/2011	Stonebraker	D24/126
D639,423	S	*	6/2011	Boyd	D24/126
D647,200	S	*	10/2011	Slaughter	D24/126
D691,715	S	*	10/2013	Mason	D24/126
D722,159	S	*	2/2015	Cutshaw	D24/126
D772,405	S	*	11/2016	Fites	D24/126
D773,040	S	*	11/2016	Fites	D24/126
D776,808	S	*	1/2017	Raycheck	D24/126
D779,659	S	*	2/2017	Fites	D24/126
D779,660	S	*	2/2017	Fites	D24/126
D780,910	S	*	3/2017	Fites	D24/126
D780,911	S	*	3/2017	Fites	D24/126
D787,051	S	*	5/2017	Gaston	D24/126
D789,524	S	*	6/2017	Fites	D24/126
D789,525	S	*	6/2017	Fites	D24/126
D792,582	S	*	7/2017	Fites	D24/126
D792,967	S	*	7/2017	Moritani	D24/126
D794,182	S	*	8/2017	Roberts	D24/126
D797,925	S	*	9/2017	Walther	D24/126
D798,442	S	*	9/2017	Fites	D24/126
D804,658	S	*	12/2017	Fites	D24/126
D809,653	S	*	2/2018	Kremer	D24/126
D831,764	S	*	10/2018	Hetrick	D21/694
2005/0217791	A1		10/2005	Costello et al.		

* cited by examiner

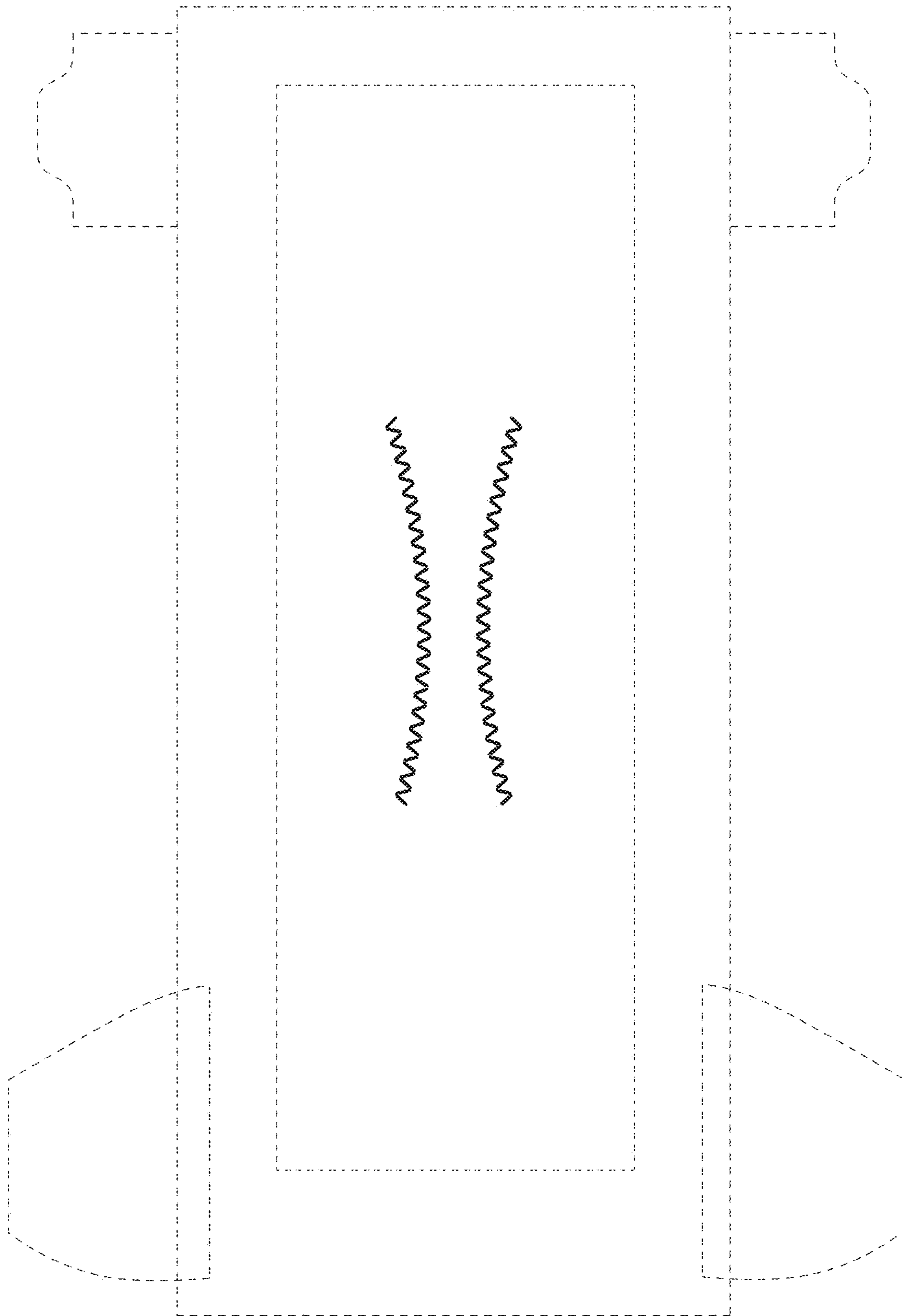


Fig. 1

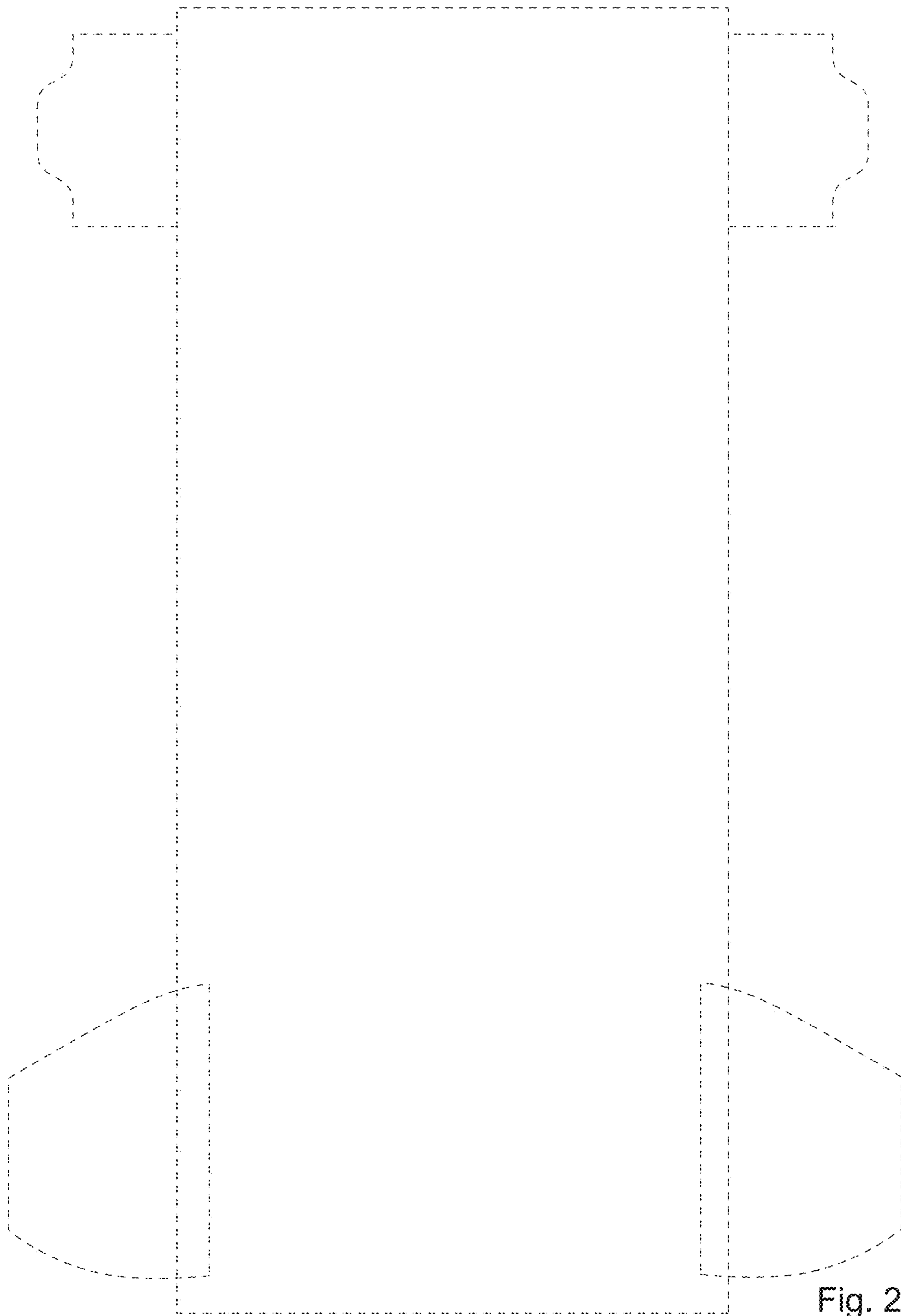


Fig. 2

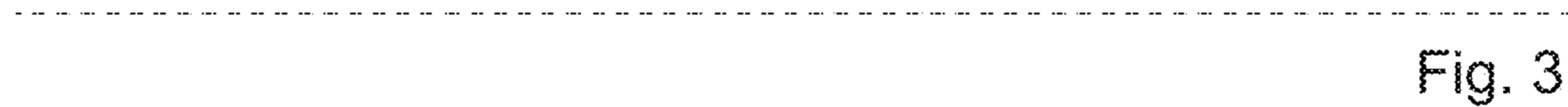


Fig. 3



Fig. 4



Fig. 5

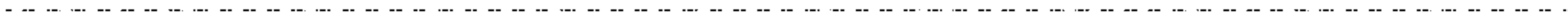


Fig. 6