



US00D897524S

(12) **United States Design Patent** (10) **Patent No.:** **US D897,524 S**  
**Siew et al.** (45) **Date of Patent:** **\*\* Sep. 29, 2020**

(54) **COVER FOR A PATIENT INTERFACE**

(56) **References Cited**

(71) Applicant: **Fisher & Paykel Healthcare Limited,**  
Auckland (NZ)

U.S. PATENT DOCUMENTS

(72) Inventors: **Silas Sao Jin Siew,** Auckland (NZ);  
**Wen Dong Huang,** Auckland (NZ);  
**Craig Robert Prentice,** Auckland (NZ);  
**Andrew Paul Maxwell Salmon,**  
Auckland (NZ)

2,241,535 A	5/1941	Boothby et al.
4,449,527 A	5/1984	Hinton
5,010,884 A	4/1991	Van Derdoes
D335,367 S	5/1993	Mieskoski
5,671,732 A	9/1997	Bowen
5,782,236 A	7/1998	Ess
D399,950 S	10/1998	Shepard
6,374,826 B1	4/2002	Gunaratnam et al.
D476,732 S	7/2003	Smart
D479,876 S	9/2003	Gradon et al.
D485,905 S	1/2004	Moore et al.
D486,226 S	2/2004	Guney
D496,726 S	9/2004	Amarasinghe
D532,511 S	11/2006	Amarasinghe

(Continued)

(73) Assignee: **Fisher & Paykel Healthcare Limited,**  
Auckland (NZ)

(\*\*) Term: **15 Years**

(21) Appl. No.: **29/685,339**

FOREIGN PATENT DOCUMENTS

(22) Filed: **Mar. 27, 2019**

CA	2648690	11/2007
EP	2429623	7/2017

(Continued)

**Related U.S. Application Data**

*Primary Examiner* — Lilyana Bekic

(60) Continuation of application No. 29/572,577, filed on Jul. 28, 2016, now Pat. No. Des. 849,235, which is a division of application No. 29/469,114, filed on Oct. 7, 2013, now Pat. No. Des. 762,844, which is a continuation of application No. 29/401,231, filed on Sep. 8, 2011, now Pat. No. Des. 692,554.

(74) *Attorney, Agent, or Firm* — Knobbe, Martens, Olson & Bear, LLP

(51) **LOC (12) Cl.** ..... **29-02**

(57) **CLAIM**

The ornamental design for a cover for a patient interface, as shown and described.

(52) **U.S. Cl.**

USPC ..... **D24/110.1; D24/110.4**

**DESCRIPTION**

(58) **Field of Classification Search**

USPC ..... D24/110.1–110.5, 127  
CPC ..... A61M 16/0622; A61M 16/0616; A61M 16/0816; A61M 16/08; A61M 16/0633; A61M 16/06; A61M 16/0666; A61M 2210/0618; A61M 16/0683

FIG. 1 is a front perspective view of a cover for a patient interface;

FIG. 2 is a rear perspective view thereof;

FIG. 3 is a bottom elevational view thereof;

FIG. 4 is a top elevational view thereof;

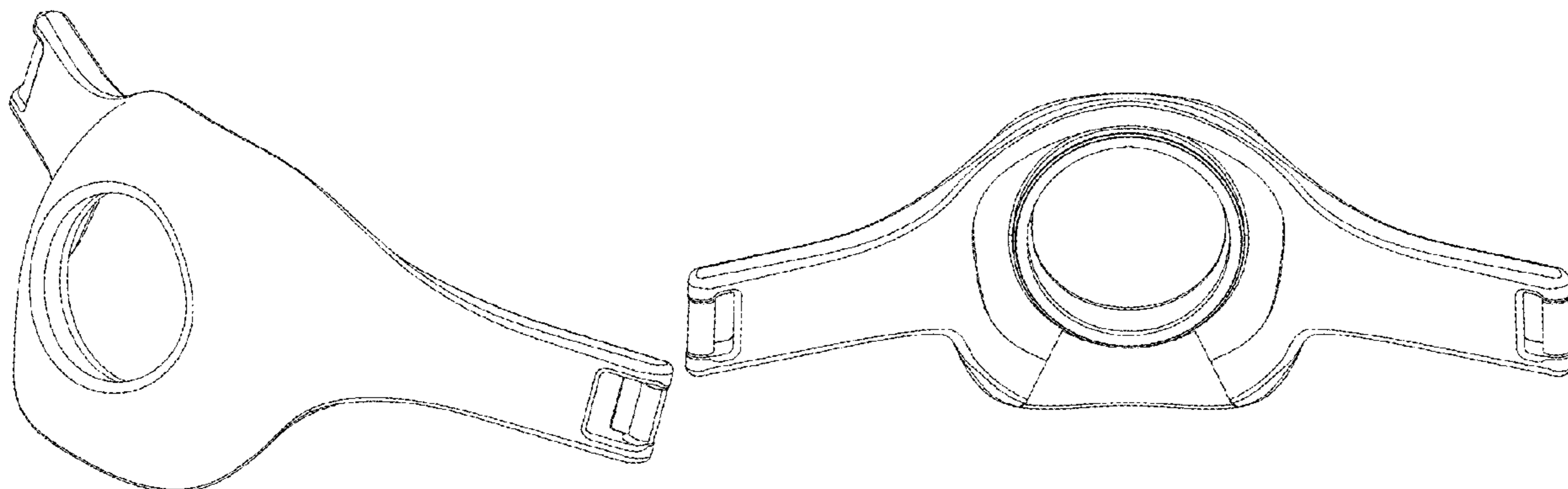
FIG. 5 is a left side elevational view thereof, the right side elevational view being a mirror image of the view of FIG. 5;

FIG. 6 is a front elevational view thereof; and,

FIG. 7 is a rear elevational view thereof.

See application file for complete search history.

**1 Claim, 4 Drawing Sheets**





(56)

References Cited

U.S. PATENT DOCUMENTS

D532,512 S 11/2006 Amarasinghe  
 D536,092 S 1/2007 Amarasinghe  
 D540,940 S 4/2007 Amarasinghe  
 D542,912 S 5/2007 Gunaratnam et al.  
 D545,961 S 7/2007 Hitchcock  
 D546,441 S 7/2007 Hitchcock  
 D549,322 S 8/2007 Stallard et al.  
 D549,323 S 8/2007 Kwok et al.  
 D550,352 S 9/2007 Chandran et al.  
 D550,836 S 9/2007 Chandran et al.  
 D555,785 S 11/2007 McAuley et al.  
 D557,411 S 12/2007 Smart et al.  
 D557,802 S 12/2007 Miceli et al.  
 D558,334 S 12/2007 Stallard et al.  
 D561,332 S 2/2008 Amarasinghe  
 D561,893 S 2/2008 Gunaratnam  
 D562,976 S 2/2008 Guney et al.  
 D564,089 S 3/2008 Chandran et al.  
 D568,985 S 5/2008 Chandran et al.  
 D582,546 S 12/2008 Fujiura et al.  
 D583,047 S 12/2008 Chandran et al.  
 D583,049 S 12/2008 Chandran et al.  
 D583,930 S 12/2008 McAuley et al.  
 D586,458 S 2/2009 Kooij et al.  
 D586,906 S 2/2009 Stallard  
 D586,907 S 2/2009 Judson et al.  
 D588,258 S 3/2009 Judson et al.  
 D589,139 S 3/2009 Guney et al.  
 D589,140 S 3/2009 Guney et al.  
 D591,854 S 5/2009 Brookshire  
 D595,841 S 7/2009 McAuley et al.  
 D597,199 S 7/2009 Smart et al.  
 D597,661 S 8/2009 Reid et al.  
 D612,483 S 3/2010 Chang  
 D612,932 S 3/2010 Davidson et al.  
 D612,933 S 3/2010 Prentice  
 D614,288 S 4/2010 Judson et al.  
 D614,289 S 4/2010 Veliss et al.  
 D614,763 S 4/2010 Maurer et al.  
 D615,187 S 5/2010 Bowden  
 D618,399 S 6/2010 Manzo  
 7,743,767 B2 6/2010 Ging  
 D624,642 S 9/2010 Collazo et al.  
 7,861,718 B2 1/2011 Janbakhsh et al.  
 D637,279 S 5/2011 Scheiner  
 D639,419 S 6/2011 Eves et al.  
 D639,932 S 6/2011 D'Souza et al.  
 D645,138 S 9/2011 Leckie  
 D645,955 S 9/2011 Kooij et al.  
 D650,064 S 12/2011 Gunaratnam et al.  
 D651,303 S 12/2011 Gunaratnam  
 D652,505 S 1/2012 Pidcock  
 D653,328 S 1/2012 Eves et al.  
 D656,231 S 3/2012 Henry et al.  
 D656,607 S 3/2012 Gunaratnam et al.  
 D659,237 S 5/2012 Lubke et al.  
 D665,494 S 8/2012 Stallard et al.  
 D669,576 S 10/2012 Smart et al.  
 D674,480 S 1/2013 Prentice et al.  
 D683,446 S 5/2013 Eves  
 D687,539 S 8/2013 Matulal et al.  
 D691,257 S \* 10/2013 Siew ..... D24/110.1  
 D691,712 S 10/2013 Judson et al.  
 D692,554 S \* 10/2013 Siew ..... D24/110.1  
 D696,396 S 12/2013 Eves  
 D696,767 S 12/2013 Scheiner  
 D704,329 S 5/2014 Collazo et al.  
 D706,413 S 6/2014 Veliss  
 D708,736 S 7/2014 Judson et al.  
 D709,181 S 7/2014 Henry et al.  
 D729,381 S 5/2015 Himes  
 D735,317 S 7/2015 Collazo  
 D737,953 S 9/2015 Wells  
 D740,409 S 10/2015 Siew et al.  
 D746,436 S 12/2015 Guney

D747,460 S 1/2016 Hoge  
 D762,844 S \* 8/2016 Siew ..... D24/110.1  
 D770,036 S \* 10/2016 Walls ..... D24/110.4  
 D787,661 S 5/2017 Edwards  
 D797,921 S \* 9/2017 Huang ..... D24/110.4  
 D798,439 S 9/2017 Siew et al.  
 D815,728 S \* 4/2018 Walls ..... D24/110.4  
 10,039,894 B2 8/2018 Walls et al.  
 D848,607 S \* 5/2019 Walls ..... D24/110.4  
 D849,235 S \* 5/2019 Siew ..... D24/110.1  
 D849,930 S \* 5/2019 Walls ..... D24/110.1  
 D857,190 S 8/2019 Siew et al.  
 D861,857 S \* 10/2019 Huang ..... D24/110.4  
 10,456,546 B2 \* 10/2019 McLaren ..... A61M 16/0816  
 D867,577 S \* 11/2019 Walls ..... D24/110.1  
 D884,153 S \* 5/2020 Patel ..... D24/110.4  
 2002/0059935 A1 5/2002 Wood  
 2002/0096176 A1 7/2002 Gunaratnam et al.  
 2003/0196658 A1 10/2003 Ging et al.  
 2005/0188993 A1 9/2005 Steeves et al.  
 2005/0241644 A1 11/2005 Gunaratnam et al.  
 2006/0124131 A1 6/2006 Chandran et al.  
 2006/0174887 A1 8/2006 Chandran et al.  
 2007/0089749 A1 4/2007 Ho et al.  
 2007/0235033 A1 10/2007 Reier et al.  
 2008/0060657 A1 3/2008 McAuley et al.  
 2008/0092906 A1 4/2008 Gunaratnam et al.  
 2009/0044808 A1 2/2009 Guney et al.  
 2009/0120442 A1 5/2009 Ho  
 2009/0151729 A1 6/2009 Judson et al.  
 2009/0178680 A1 7/2009 Chang  
 2009/0320851 A1 12/2009 Selvarajan et al.  
 2010/0000534 A1 1/2010 Kooij et al.  
 2010/0122701 A1 5/2010 Gunaratnam et al.  
 2010/0258136 A1 10/2010 Doherty et al.  
 2010/0313891 A1 12/2010 Veliss et al.  
 2011/0041855 A1 2/2011 Gunaratnam et al.  
 2011/0146685 A1 6/2011 Allan et al.  
 2011/0155140 A1 6/2011 Ho et al.  
 2011/0232649 A1 9/2011 Collazo et al.  
 2011/0259335 A1 10/2011 Sullivan  
 2012/0012114 A1 1/2012 Chandran et al.  
 2012/0090622 A1 4/2012 Chang  
 2012/0204880 A1 8/2012 Smith et al.  
 2013/0042871 A1 2/2013 Chang  
 2013/0186403 A1 7/2013 Chang  
 2013/0199537 A1 8/2013 Formica et al.  
 2014/0000614 A1 1/2014 Chang  
 2014/0026890 A1 1/2014 Haskard  
 2014/0261433 A1 9/2014 Guney  
 2014/0326248 A1 11/2014 Haibach et al.  
 2015/0209541 A1 7/2015 Harwood  
 2015/0224274 A1 8/2015 Siew et al.  
 2015/0283349 A1 10/2015 McLaren  
 2016/0051784 A1 2/2016 Eury et al.  
 2016/0082217 A1 3/2016 McLaren et al.  
 2016/0151596 A1 6/2016 Slight et al.  
 2016/0166792 A1 6/2016 Allan et al.  
 2016/0166793 A1 6/2016 McLaren et al.  
 2016/0287830 A1 10/2016 Walls et al.  
 2017/0119988 A1 5/2017 Allan et al.  
 2018/0078725 A1 3/2018 Richardson et al.  
 2018/0304036 A1 \* 10/2018 Huang ..... A61M 16/0666  
 2018/0318541 A1 \* 11/2018 Walls ..... A61M 16/0683  
 2019/0030272 A1 \* 1/2019 Graham ..... A61M 16/0683  
 2019/0117923 A1 \* 4/2019 Downey ..... A61M 16/0666  
 2019/0151592 A1 \* 5/2019 Bornholdt ..... A61M 16/0683  
 2020/0129720 A1 \* 4/2020 McLaren ..... A61M 16/0683

FOREIGN PATENT DOCUMENTS

EP 3266482 2/2018  
 EP 2498853 6/2018  
 EP 3398640 11/2018  
 EP 2303378 9/2019  
 JP 60-115802 5/1985  
 WO WO 98/18514 5/1998  
 WO WO 2001/097892 12/2001  
 WO WO 2007/022562 3/2007

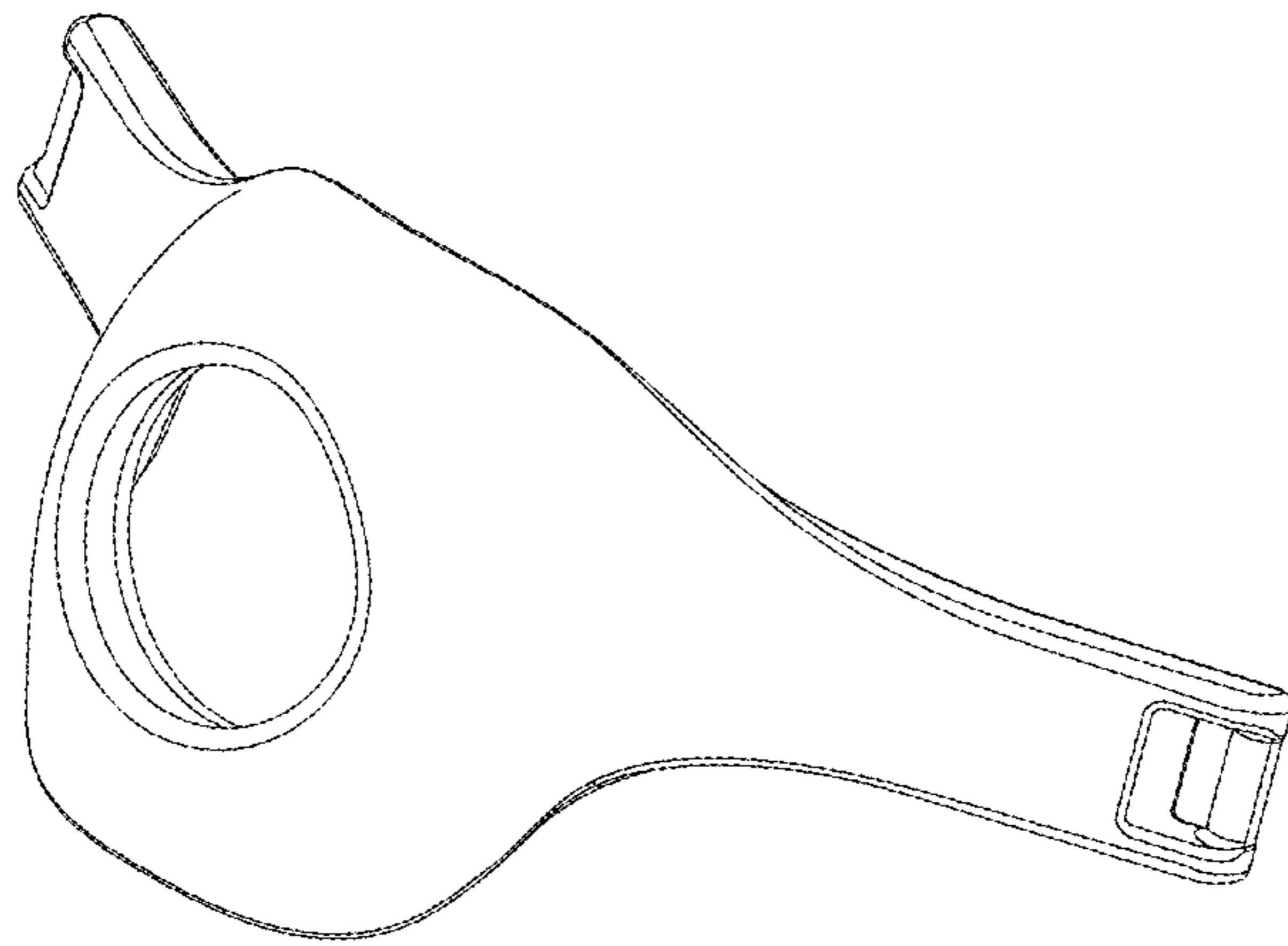
(56)

**References Cited**

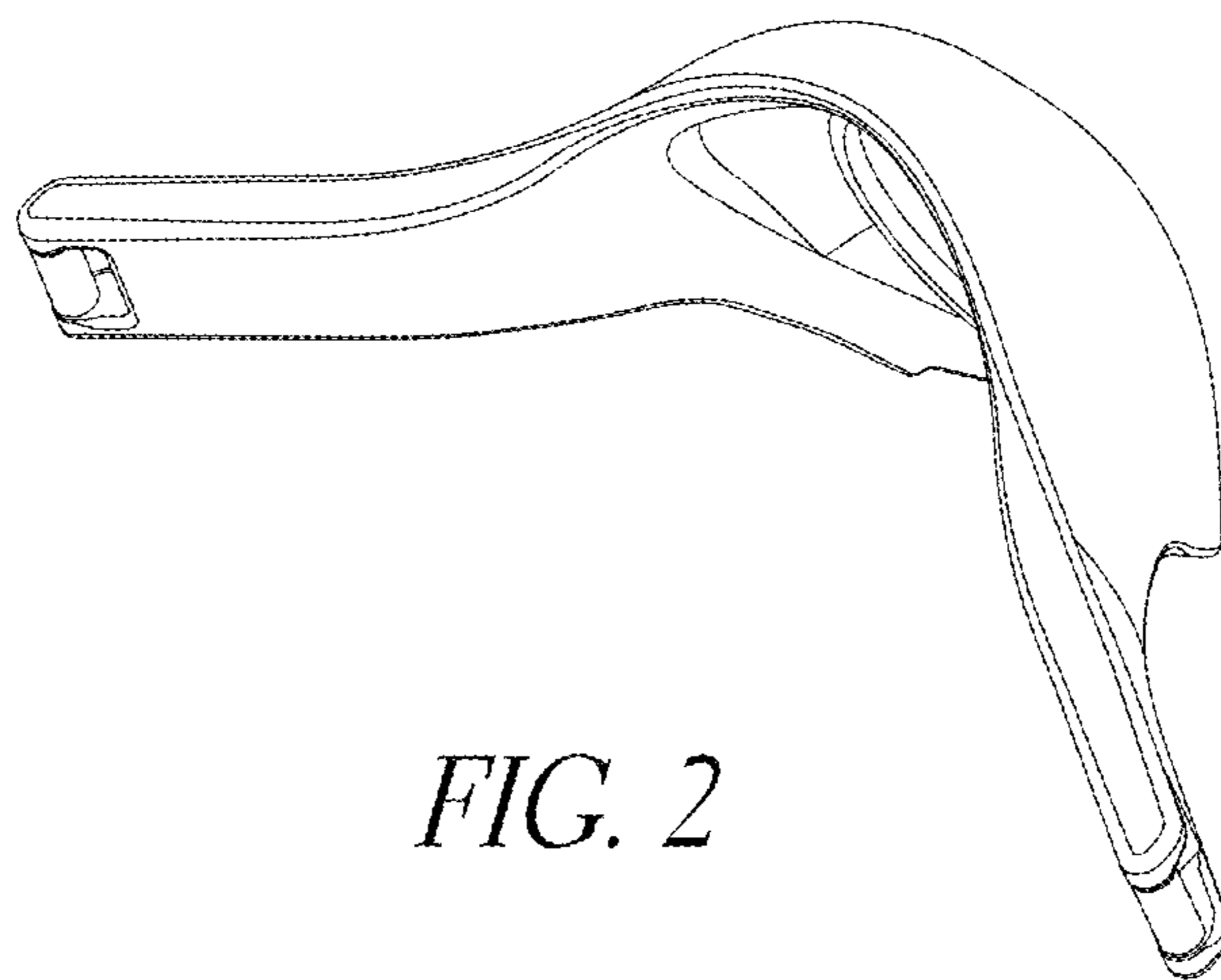
FOREIGN PATENT DOCUMENTS

WO	WO 2008/007985	1/2008
WO	WO 2008/011682	1/2008
WO	WO 2007/114492	8/2009
WO	WO 2009/139647	11/2009
WO	WO 2010/131189	11/2010
WO	WO 2011/059346	5/2011

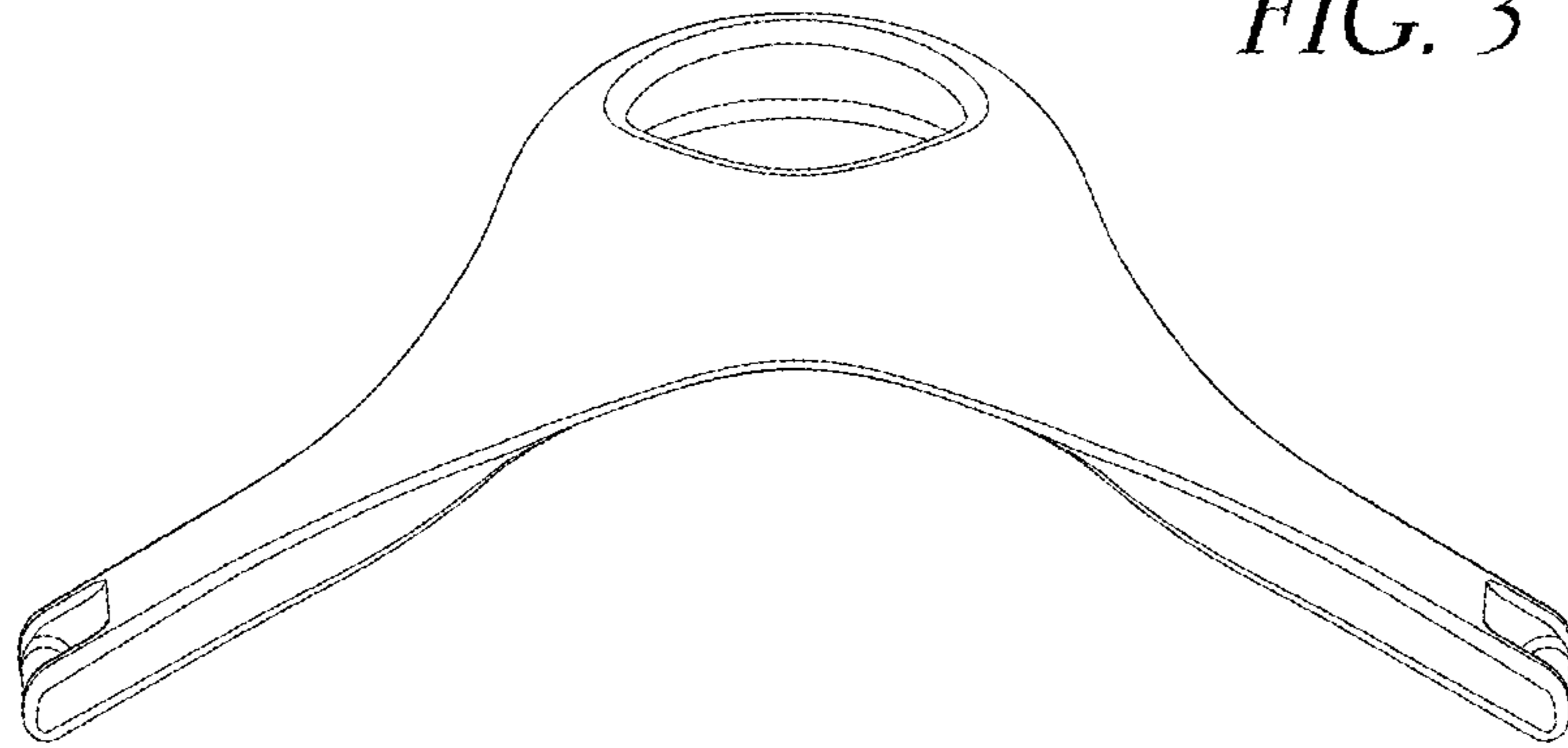
\* cited by examiner



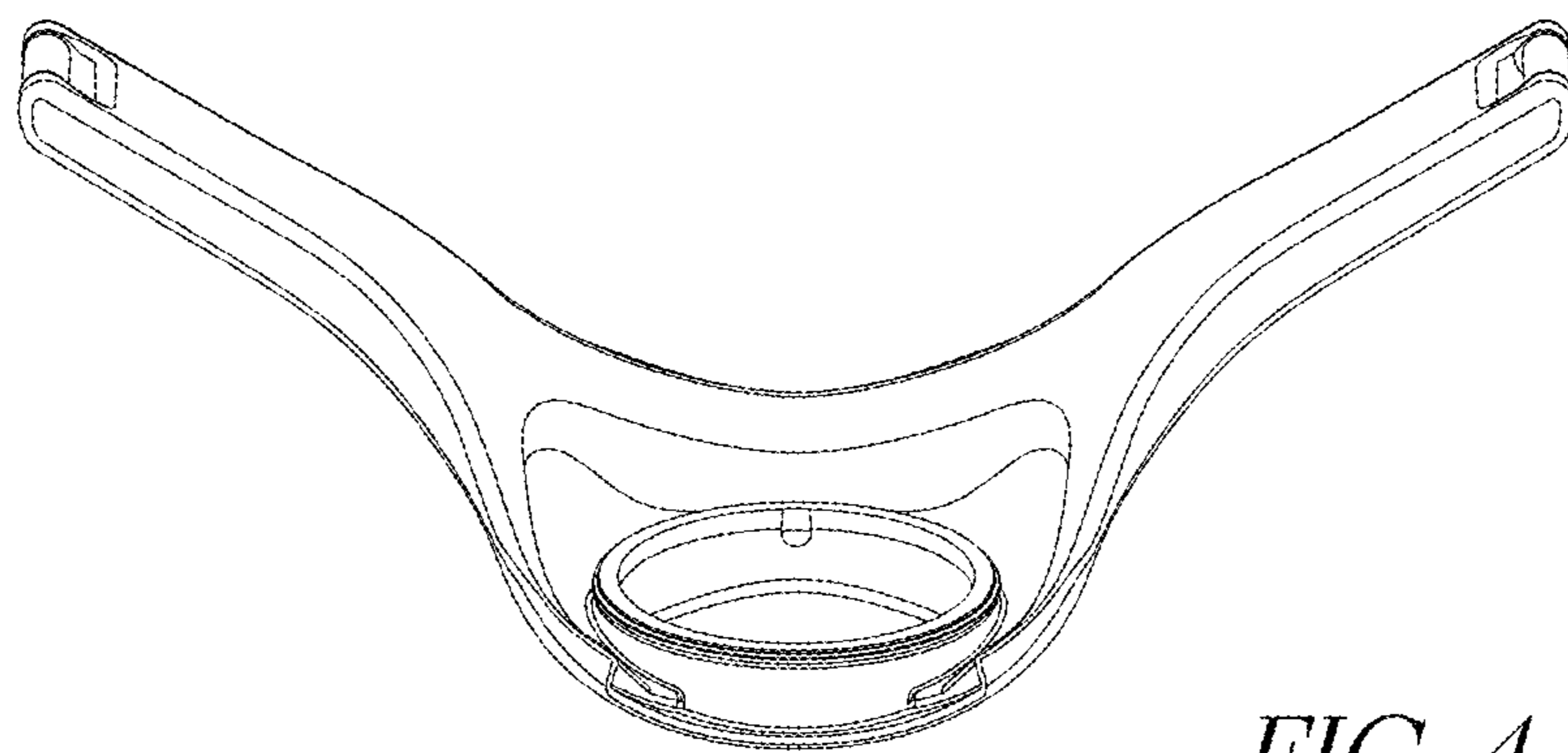
*FIG. 1*



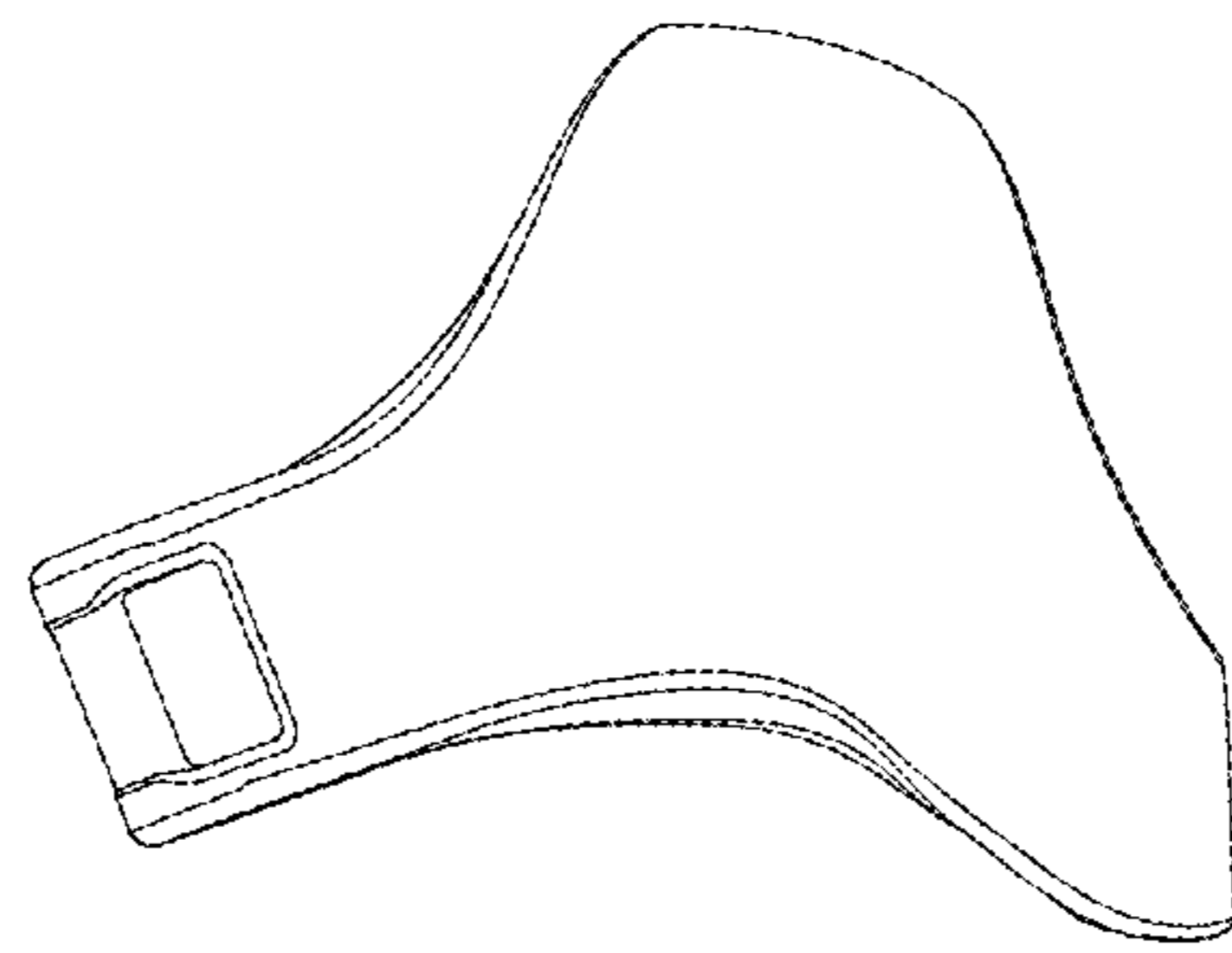
*FIG. 2*



*FIG. 3*

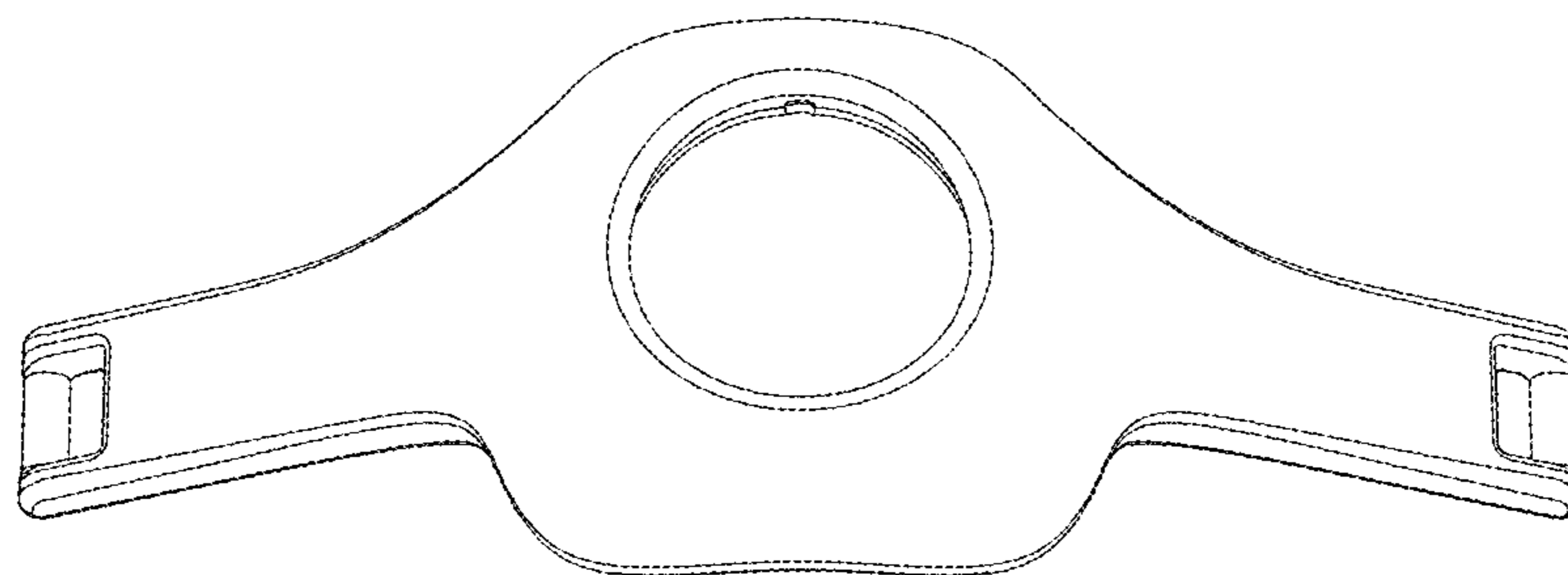


*FIG. 4*

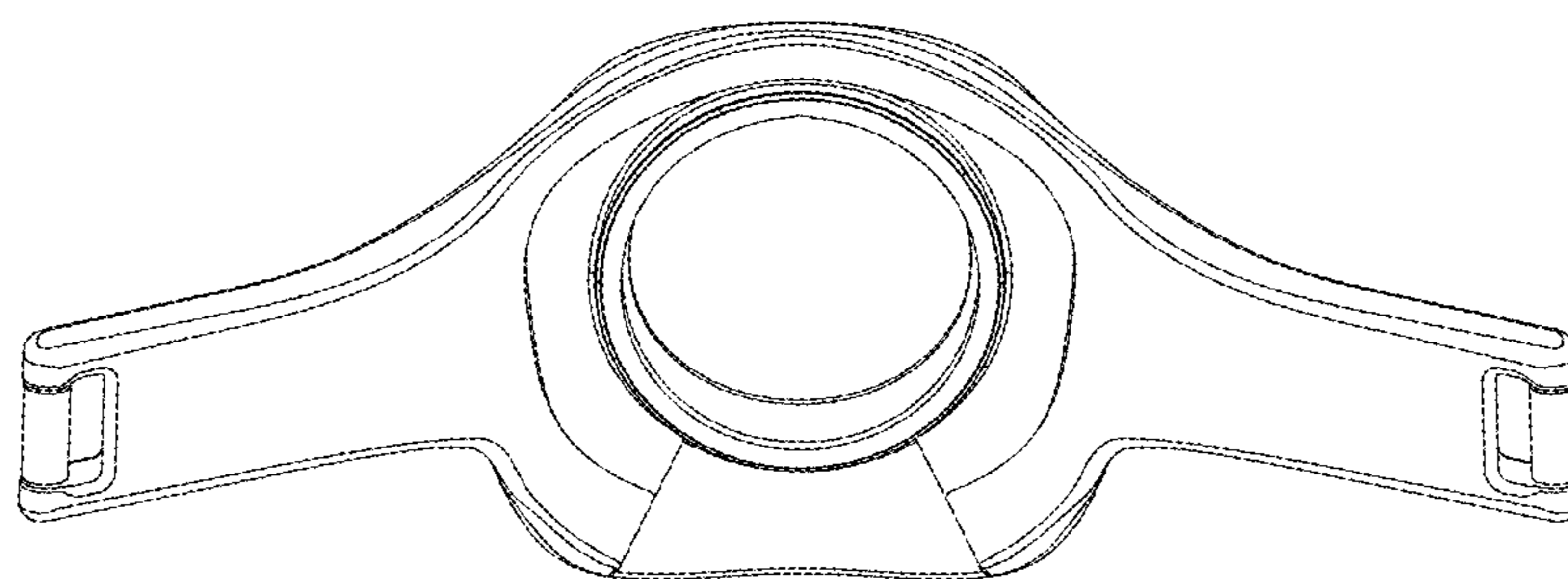


*FIG. 5*





*FIG. 6*



*FIG. 7*

UNITED STATES PATENT AND TRADEMARK OFFICE  
**CERTIFICATE OF CORRECTION**

PATENT NO. : D897,524 S  
APPLICATION NO. : 29/685339  
DATED : September 29, 2020  
INVENTOR(S) : Siew et al.

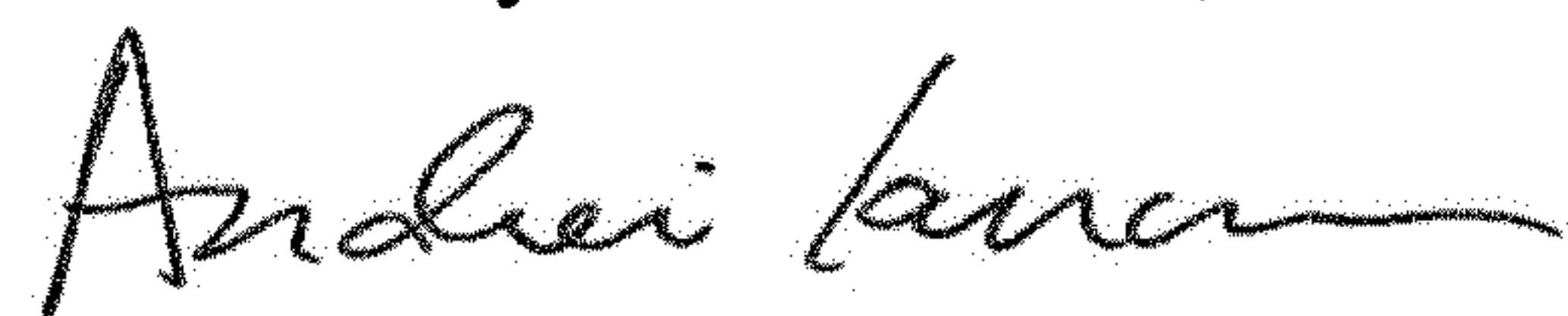
Page 1 of 1

It is certified that error appears in the above-identified patent and that said Letters Patent is hereby corrected as shown below:

On the Title Page

Item (60), Line 1, under Related U.S. Application Data, delete "Continuation" and insert --Division--.

Signed and Sealed this  
First Day of December, 2020



Andrei Iancu  
*Director of the United States Patent and Trademark Office*