



US00D897521S

(12) **United States Design Patent** (10) **Patent No.:** **US D897,521 S**
Puffer (45) **Date of Patent:** **** Sep. 29, 2020**

(54) **VENT HOOD**
(71) Applicant: **Broan-NuTone LLC**, Hartford, WI (US)
(72) Inventor: **Benjamin Thorpe Puffer**, Hartford, WI (US)
(73) Assignee: **Broan-NuTone LLC**, Hartford, WI (US)

D120,266 S 4/1940 Fischer
D120,772 S 5/1940 Arenberg
D120,773 S 5/1940 Arenberg
2,220,127 A 11/1940 Slayter
(Continued)

FOREIGN PATENT DOCUMENTS

BE 648597 6/1944
CA 108550 1/2006
(Continued)

(**) Term: **15 Years**

OTHER PUBLICATIONS

(21) Appl. No.: **29/581,025**
(22) Filed: **Oct. 14, 2016**
(51) **LOC (12) Cl.** **23-04**
(52) **U.S. Cl.**
USPC **D23/371**
(58) **Field of Classification Search**
USPC D23/370, 371, 372, 411
CPC ... F24C 15/2042; F24C 15/2035; F24C 15/20
See application file for complete search history.

Broan QTX110SL Media Gallery, Broan QTX110SL Combination Fan, Light, Night-Light, 110 CFM, 0.9 Sones, Humidity Sensing, ventingdirect.com, 1 page.
(Continued)

Primary Examiner — Janice Hallmark
(74) *Attorney, Agent, or Firm* — Barnes & Thornburg LLP

(57) **CLAIM**

The ornamental design for a vent hood, as shown and described.

(56) **References Cited**

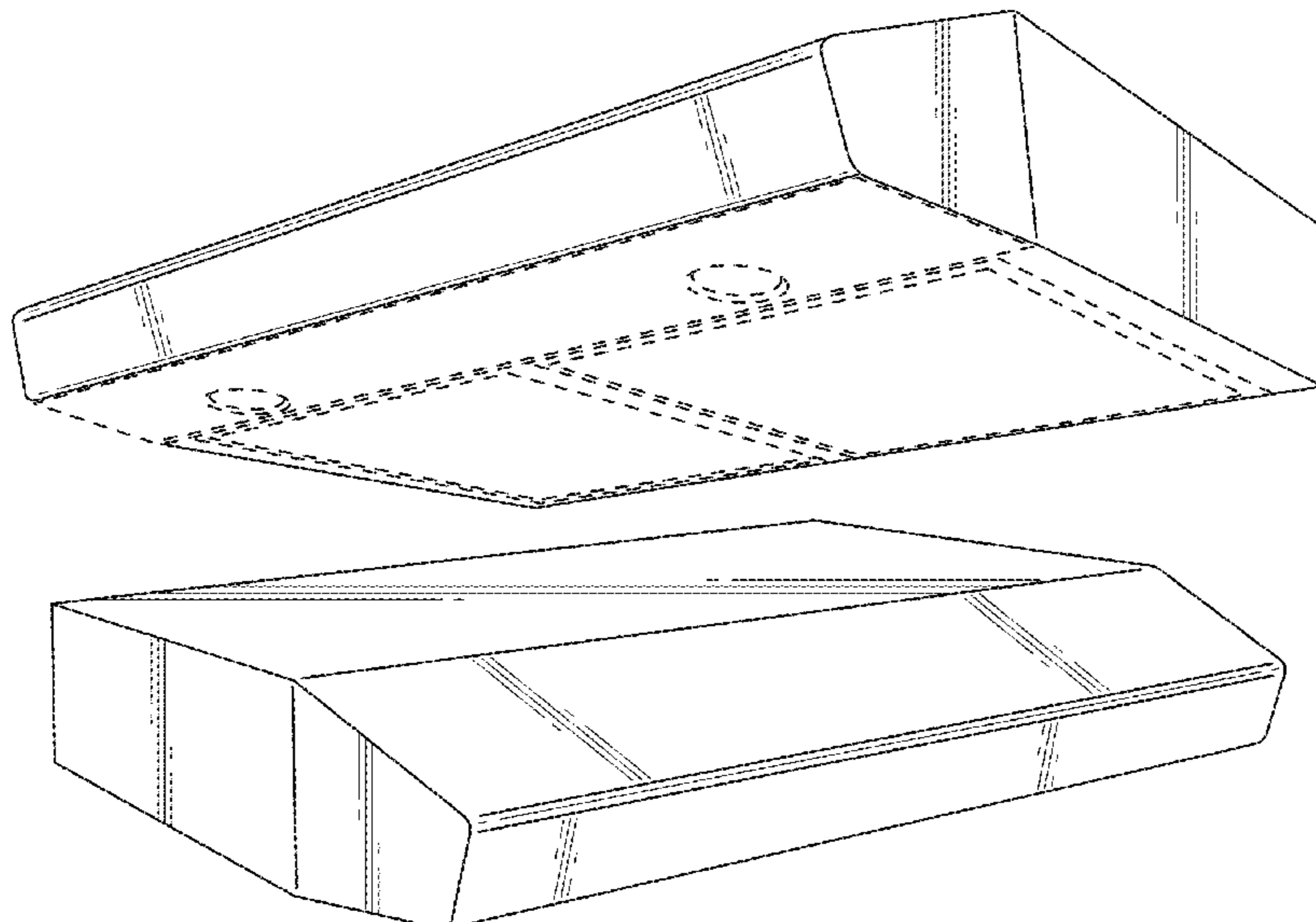
U.S. PATENT DOCUMENTS

1,030,028 A	6/1912	Stampahar et al.
1,277,299 A	8/1918	Duncan
1,334,053 A	3/1920	Reynolds
1,361,375 A	12/1920	Fesler
1,395,833 A	11/1921	Kling et al.
1,522,635 A	1/1925	Kraeuter
1,713,101 A	5/1929	Starrett
1,886,841 A	11/1932	Searles
1,895,642 A	1/1933	Livingston
1,941,450 A	1/1934	Sylvan
2,019,867 A	11/1935	Nelson
2,021,086 A	11/1935	Oskamp
D107,399 S	12/1937	Broadwin
2,108,283 A	2/1938	Drew et al.
D109,887 S	5/1938	Fordyce
2,182,690 A	12/1939	Cole
D118,359 S	1/1940	Arenberg

DESCRIPTION

FIG. 1 is a front perspective view of a vent hood.
FIG. 2 is a front top perspective view of the vent hood.
FIG. 3 is a top view of the vent hood.
FIG. 4 is a bottom view of the vent hood.
FIG. 5 is a first side view of the vent hood.
FIG. 6 is a second side view of the vent hood where the second side view is opposite the first side view in FIG. 5.
FIG. 7 is a front view of the vent hood; and,
FIG. 8 is a back view of the vent hood.
The broken lines depict portions of the vent hood that form no part of the claimed design.

1 Claim, 5 Drawing Sheets



(56)

References Cited

U.S. PATENT DOCUMENTS

2,222,081 A	11/1940	Leigh	3,861,894 A	1/1975	Marsh
D126,128 S	3/1941	Eallman	3,875,678 A	4/1975	Vits
2,240,617 A	5/1941	Harrigan	3,926,537 A	12/1975	Piper
2,278,581 A	4/1942	Dexter	3,952,638 A	4/1976	Felter et al.
D132,865 S	6/1942	Drollinger	D244,764 S	6/1977	Grubauer
2,325,657 A	8/1943	Burkness	D244,854 S	6/1977	Salamone
D153,313 S	4/1949	Phillips	4,073,597 A	2/1978	Barnhart et al.
2,472,748 A	6/1949	Labus	4,115,082 A	9/1978	Newell
2,483,377 A	9/1949	Young	4,141,703 A	2/1979	Mulchi
D157,014 S	1/1950	Walker	4,203,332 A	5/1980	Corsetti
2,576,860 A	11/1951	Shapiro	D256,047 S	7/1980	Wormington
D165,982 S	2/1952	Kennedy	D257,060 S	9/1980	Mann
D166,324 S	4/1952	Kurth	D258,083 S	1/1981	Gammell
D171,505 S	2/1954	Krueger	4,252,547 A	2/1981	Johnson
2,668,491 A	2/1954	Gerlitz	D261,803 S	11/1981	Bohanon
2,673,514 A	3/1954	Hanks	D262,457 S	12/1981	Swales
D173,120 S	9/1954	Levenhagen	4,319,898 A	3/1982	Maierhofer
2,689,906 A	9/1954	Corbett	4,335,647 A	6/1982	Timmons
2,697,163 A	12/1954	Spear	4,336,749 A	6/1982	Barnhart et al.
2,710,573 A	6/1955	Marker	D267,828 S	2/1983	Cohen
2,780,981 A	2/1957	Miller	D268,952 S	5/1983	Anderson
2,790,375 A	4/1957	Broberg	4,382,440 A	5/1983	Kapp et al.
2,799,213 A	7/1957	Hansen	4,385,550 A	5/1983	Steiner et al.
2,800,069 A	7/1957	Smith	4,385,911 A	5/1983	Popeil et al.
D180,727 S	8/1957	Bourner	4,406,216 A	9/1983	Hott et al.
2,811,094 A	10/1957	Auer	D271,984 S	12/1983	Nelson et al.
2,824,429 A	2/1958	Zucker	D275,988 S	10/1984	Walker
2,831,550 A	4/1958	Bub	D276,282 S	11/1984	Burg
D183,117 S	7/1958	Coleman	D277,298 S	1/1985	Nelson
2,875,678 A	3/1959	Shepherd	4,510,351 A	4/1985	Costello et al.
2,911,900 A	11/1959	Rudy	D282,275 S	1/1986	Price
2,939,377 A	6/1960	Stach	D282,972 S	3/1986	Castor et al.
2,963,956 A	12/1960	Hill	4,594,940 A	6/1986	Wolbrink et al.
2,987,258 A	6/1961	North	4,610,705 A	9/1986	Sarnosky et al.
2,993,428 A	7/1961	Wermager	D286,446 S	10/1986	Caroli et al.
2,996,972 A	8/1961	Johansson	4,628,802 A	12/1986	Steiner et al.
3,001,056 A	9/1961	Spear	D287,888 S	1/1987	Castor et al.
3,002,676 A	10/1961	Papsdorf	D288,007 S	1/1987	Jonas et al.
D192,312 S	2/1962	Hart	D288,396 S	2/1987	Ritman
3,028,475 A	4/1962	Nash	4,681,024 A	7/1987	Ivey
3,045,579 A	7/1962	Jenn et al.	4,722,266 A	2/1988	Deckert
D193,868 S	10/1962	Bloomfield	D295,675 S	5/1988	Demarest
3,064,548 A	11/1962	Field	4,754,697 A	7/1988	Asselbergs
3,068,341 A	12/1962	Ortiz et al.	4,776,798 A	10/1988	Crawford
3,075,335 A	1/1963	Bandlow	D300,777 S	4/1989	Bales et al.
3,097,267 A	7/1963	Clark et al.	D300,847 S	4/1989	Lin
3,101,662 A	8/1963	Alldritt	4,862,334 A	8/1989	Ivey et al.
D196,618 S	10/1963	Hammes	D303,436 S	9/1989	Clyde-Mason
D199,045 S	9/1964	Everts	4,867,640 A	9/1989	Penlesky et al.
3,211,080 A	10/1965	Rader	4,991,496 A	2/1991	Kuno et al.
3,212,425 A	10/1965	Hazen et al.	D315,790 S	3/1991	Koessler
3,215,828 A	11/1965	Bonvallet et al.	D322,667 S	12/1991	Fukuda et al.
3,249,037 A	5/1966	Stalker	D323,209 S	1/1992	Fukumoto et al.
3,250,063 A	5/1966	Andrews	D323,554 S	1/1992	Hoyt et al.
3,276,597 A	10/1966	Mesek et al.	D325,434 S	4/1992	Dosmann
3,326,112 A	6/1967	Sadlow et al.	D325,651 S	4/1992	Sonneman
3,332,334 A	7/1967	Melzer	D327,541 S	6/1992	Chen
3,347,025 A	10/1967	Wiley	D328,650 S	8/1992	Jones
3,391,689 A	7/1968	Roger	D330,585 S	10/1992	Saito et al.
3,438,180 A	4/1969	Klouda	D331,458 S	12/1992	Saito et al.
3,460,322 A	8/1969	Rivers et al.	D331,638 S	12/1992	Vamberszky et al.
3,572,234 A	3/1971	Schoenthaler	5,197,920 A	3/1993	Ganse
3,577,710 A	5/1971	Feldman	D334,977 S	4/1993	Avari
3,606,593 A	9/1971	Steiner	D336,895 S	6/1993	Rogov
3,630,007 A	12/1971	Neumann	D338,954 S	8/1993	Brock
3,636,306 A	1/1972	Bumpus	D340,109 S	10/1993	Julien
3,665,838 A	5/1972	Shepherd	D341,442 S	11/1993	Shapiro
3,692,977 A	9/1972	Duhamel et al.	5,319,942 A	6/1994	Paustian et al.
3,698,333 A	10/1972	Ketterer	D349,778 S	8/1994	Johnson et al.
3,732,030 A	5/1973	Mullings	D350,191 S	8/1994	Tsuji
3,743,439 A	7/1973	Cann	5,333,830 A	8/1994	Millen
D229,181 S	11/1973	Bledsoe	D350,409 S	9/1994	Johnson et al.
3,777,650 A	12/1973	Wenig	D352,564 S	11/1994	Marischen
3,785,271 A	1/1974	Joy	D357,732 S	4/1995	Spechts et al.
3,788,207 A	1/1974	Doherty	D362,059 S	9/1995	Wojcik
			D366,521 S	1/1996	Wijaranakula
			D366,522 S	1/1996	Lagace et al.
			D367,924 S	3/1996	Patel et al.
			D372,767 S	8/1996	Borges

(56)

References Cited

U.S. PATENT DOCUMENTS

D372,775 S	8/1996	Schuler	D464,418 S	10/2002	Goncalves et al.
D374,927 S	10/1996	Chabot	D464,718 S	10/2002	Wilson
D375,350 S	11/1996	Patel et al.	D465,021 S	10/2002	Liou
D376,214 S	12/1996	Pinchuk	6,464,579 B1	10/2002	Salazar
D376,639 S	12/1996	Moore	D465,565 S	11/2002	Twito
D376,842 S	12/1996	Franklin et al.	6,488,579 B2	12/2002	Larson et al.
D377,535 S	1/1997	Shulman	D469,172 S	1/2003	Warren et al.
5,601,485 A	2/1997	Gigola	6,503,060 B1	1/2003	Kamada et al.
D378,698 S	4/1997	Ukai et al.	D470,233 S	2/2003	Sarkinen et al.
5,632,334 A	5/1997	Grinbergs et al.	D470,482 S	2/2003	Ikeda
D382,549 S	8/1997	Yoshimoto	6,537,146 B1	3/2003	Haynes
D386,186 S	11/1997	Schnetzler et al.	D474,299 S	5/2003	Lecluze
D386,209 S	11/1997	Firestone et al.	D475,131 S	5/2003	Pilger
D387,859 S	12/1997	Ukai et al.	D476,073 S	6/2003	Bourgeois
D388,353 S	12/1997	Desborough et al.	D480,712 S	10/2003	Noro
D393,708 S	4/1998	Assadi	D480,791 S	10/2003	Phillips
D395,494 S	6/1998	Becker	D481,822 S	11/2003	Wang
D396,275 S	7/1998	Pearson	D482,350 S	11/2003	Noro et al.
D398,417 S	9/1998	Fritzsche et al.	D482,778 S	11/2003	Shapiro
5,820,247 A	10/1998	Schuler	6,651,454 B1	11/2003	Spiegel
D401,682 S	11/1998	Galeazzi et al.	6,653,566 B2	11/2003	Petak et al.
D403,442 S	12/1998	Joss	6,723,428 B1	4/2004	Foss et al.
D403,787 S	1/1999	Van Belle	D490,147 S	5/2004	Miura
D404,508 S	1/1999	Marischen	D490,509 S	5/2004	Negrao et al.
D405,207 S	2/1999	Mora	6,750,760 B2	6/2004	Albritton et al.
D407,473 S	3/1999	Wimbock	D493,447 S	7/2004	Noro et al.
D407,521 S	3/1999	Crosby	D493,516 S	7/2004	Harbutt et al.
5,879,232 A	3/1999	Luter et al.	D493,907 S	8/2004	Benensohn
D409,449 S	5/1999	Cornelissen	D496,487 S	9/2004	Rhee
5,918,972 A	7/1999	Van Belle	D496,992 S	10/2004	Lafond
D412,566 S	8/1999	Taras et al.	D499,505 S	12/2004	Benensohn
D414,253 S	9/1999	Kobayashi et al.	D502,097 S	2/2005	Holthaus et al.
5,971,847 A	10/1999	Webb	D503,689 S	4/2005	Saucier
D416,315 S	11/1999	Nanjo	6,889,948 B2	5/2005	Melancon et al.
D416,349 S	11/1999	Pahl	D509,733 S	9/2005	Jongens
D417,307 S	11/1999	Pahl	D510,151 S	9/2005	Rashidi
D418,909 S	1/2000	Mockett	D510,432 S	10/2005	Bargiel
D420,121 S	2/2000	Felix-Flender	D510,996 S	10/2005	Vladika
6,027,406 A	2/2000	Yazici	D511,379 S	11/2005	Penlesky et al.
D424,672 S	5/2000	Nanjo	D512,503 S	12/2005	Roland
D425,974 S	5/2000	Esty et al.	D513,072 S	12/2005	Berg
D426,292 S	6/2000	Nanjo	6,979,169 B2	12/2005	Penlesky et al.
D426,657 S	6/2000	Joss	D514,221 S	1/2006	Vladika
D427,009 S	6/2000	Iyengar et al.	D514,732 S	2/2006	Benensohn
D427,303 S	6/2000	Brown	D521,145 S	5/2006	Craw et al.
D428,645 S	7/2000	Rossmann et al.	D530,808 S	10/2006	Sinur et al.
D431,075 S	9/2000	Barraclough	D531,301 S	10/2006	Sinur et al.
D433,116 S	10/2000	Han et al.	D532,095 S	11/2006	Calkins
D434,126 S	11/2000	Caronna et al.	D532,247 S	11/2006	Copeland
D435,124 S	12/2000	Yuen	D533,956 S	12/2006	Vladika
D435,705 S	12/2000	Powers et al.	D534,301 S	12/2006	Roland
D436,926 S	1/2001	Lew	D535,431 S	1/2007	Roland
D437,077 S	1/2001	Minissi et al.	D535,433 S	1/2007	Craw et al.
D437,405 S	2/2001	Schrank	D535,434 S	1/2007	Fischer et al.
D438,328 S	2/2001	Pan	D536,778 S	2/2007	O'Hagin
D438,948 S	3/2001	Schrank	D537,511 S	2/2007	Nagahori
6,227,962 B1	5/2001	Orendorff	D538,422 S	3/2007	Hooijmaijers
D443,924 S	6/2001	Renella	D539,404 S	3/2007	Nagahori
6,261,175 B1	7/2001	Larson et al.	D539,887 S	4/2007	Kato et al.
D446,850 S	8/2001	Arlotta et al.	D539,888 S	4/2007	Tsuji
D448,462 S	9/2001	Nanjo	D541,405 S	4/2007	Snyder
D449,680 S	10/2001	Arlotta et al.	7,203,416 B2	4/2007	Craw et al.
D450,829 S	11/2001	Bothe et al.	D541,689 S	5/2007	Meyers et al.
D451,187 S	11/2001	Webb	D541,927 S	5/2007	Yamanaka et al.
D451,587 S	12/2001	Goulet	D543,270 S	5/2007	Miura et al.
D452,904 S	1/2002	Peng	D544,613 S	6/2007	Timmann et al.
D452,905 S	1/2002	Peng	D544,618 S	6/2007	Coushaine
D452,906 S	1/2002	Peng	D545,487 S	6/2007	Bynum et al.
D453,375 S	2/2002	Peng	D547,853 S	7/2007	Pilon et al.
D453,564 S	2/2002	Schrank	D550,043 S	7/2007	Brattoli
D454,391 S	3/2002	Schrank	D550,344 S	9/2007	Weggelaar
D457,232 S	5/2002	Miura	D550,660 S	9/2007	Noro et al.
D457,616 S	5/2002	Yamanaka et al.	D551,750 S	9/2007	Wefler
D461,235 S	8/2002	Arlotta et al.	D553,235 S	10/2007	Herbst et al.
D461,995 S	8/2002	Massaloux et al.	D553,727 S	10/2007	Kato et al.
			D553,905 S	10/2007	Orr, Jr.
			D555,777 S	11/2007	Aveldson
			D561,887 S	2/2008	Friedman et al.
			7,328,478 B2	2/2008	Jenkins

(56)

References Cited

U.S. PATENT DOCUMENTS

D563,539 S	3/2008	Sinur et al.	D655,403 S	3/2012	Zakula et al.
D565,716 S	4/2008	Jacak	D655,804 S	3/2012	Platt
D565,717 S	4/2008	Jacak et al.	D655,850 S	3/2012	Sabernig
D565,722 S	4/2008	Hollingsworth et al.	D655,855 S	3/2012	Sabernig
D566,257 S	4/2008	Deng	D656,264 S	3/2012	Janssen
D566,262 S	4/2008	Zakula et al.	D657,036 S	4/2012	Vetu et al.
D566,912 S	4/2008	Reick-Mitrisin et al.	D657,858 S	4/2012	Platt
D567,352 S	4/2008	Hollingsworth et al.	D658,603 S	5/2012	Egawa et al.
D567,353 S	4/2008	Hollingsworth et al.	D658,604 S	5/2012	Egawa et al.
D567,354 S	4/2008	Jacak et al.	D662,648 S	6/2012	Whiting et al.
D567,355 S	4/2008	Zakula et al.	D663,880 S	7/2012	Janssen
D567,434 S	4/2008	Itiravivong	D663,881 S	7/2012	Janssen
D567,435 S	4/2008	Kim et al.	D664,369 S	7/2012	Duma
D567,692 S	4/2008	Meyers et al.	D665,225 S	8/2012	Zakula et al.
D567,931 S	4/2008	Hollingsworth et al.	8,256,241 B2	9/2012	Ikeda et al.
D567,932 S	4/2008	Hollingsworth et al.	D672,079 S	12/2012	Kong
D567,933 S	4/2008	Hollingsworth et al.	D676,542 S *	2/2013	Sinur D23/372
D568,460 S	5/2008	Jacak et al.	D677,775 S	3/2013	Funnell, II
D569,492 S	5/2008	Zakula et al.	D678,010 S	3/2013	Sudmalis
D570,465 S	6/2008	Miyake et al.	D678,497 S	3/2013	Tom
D571,453 S	6/2008	Hsu et al.	D678,995 S	3/2013	Hoshino et al.
D574,478 S	8/2008	Miyake et al.	D679,046 S	3/2013	Hoshino et al.
D575,386 S	8/2008	Jacak et al.	D681,794 S	5/2013	Lin et al.
D575,387 S	8/2008	Zakula et al.	D682,455 S	5/2013	Apetauer et al.
D575,389 S	8/2008	Lazzara	D685,947 S	7/2013	Pyle
D577,431 S	9/2008	Miyake et al.	D690,869 S	10/2013	Katz et al.
D577,805 S	9/2008	Adrian et al.	D694,386 S	11/2013	Sinur et al.
D578,811 S	10/2008	Gervasi	D694,387 S	11/2013	Sinur et al.
D581,508 S	11/2008	Miyake et al.	D694,388 S	11/2013	Sinur et al.
D581,516 S	11/2008	Koury et al.	D694,389 S	11/2013	Sinur et al.
D581,517 S	11/2008	Koury et al.	D694,390 S	11/2013	Sinur et al.
D584,393 S	1/2009	Miyake et al.	D694,391 S	11/2013	Sinur et al.
D584,394 S	1/2009	Miyake et al.	D694,392 S	11/2013	Sinur et al.
D585,129 S	1/2009	Huang	D699,831 S	2/2014	Funnell, II
D587,797 S	3/2009	Blanchard	D701,952 S	4/2014	Hoshino et al.
D588,257 S	3/2009	Reedy	D702,827 S	4/2014	Mase et al.
D588,688 S	3/2009	Lablaine	D704,318 S	5/2014	Martel
D589,605 S	3/2009	Reedy et al.	D705,409 S	5/2014	Hagiwara
7,537,647 B2	5/2009	Adair et al.	D705,417 S	5/2014	Lin et al.
D595,402 S	6/2009	Miyake et al.	D706,404 S	6/2014	Tsuji
D595,830 S	7/2009	Deng	D706,916 S	6/2014	Penlesky et al.
D601,281 S	9/2009	Howard et al.	D709,170 S	7/2014	Tsuji
7,581,717 B1	9/2009	Thurkill	D709,606 S *	7/2014	Sinur D23/372
D602,146 S	10/2009	Olesen	D710,000 S	7/2014	Moreno
D602,193 S	10/2009	Soderman et al.	D713,952 S	9/2014	Jepson
7,596,960 B2	10/2009	Bae	8,864,447 B1	10/2014	Humphrey
D604,834 S	11/2009	Ungar	D716,772 S	11/2014	Cavero et al.
D606,696 S	12/2009	Chen et al.	D717,933 S	11/2014	McClelland et al.
D607,600 S	1/2010	Keith	D718,086 S	11/2014	Lewis et al.
D609,321 S	2/2010	Tomasulo et al.	D718,434 S	11/2014	Diamond
D609,803 S	2/2010	Ungar	D718,762 S	12/2014	Aarrestad et al.
D609,840 S	2/2010	Tang	D720,442 S	12/2014	Kosuge
D617,441 S	6/2010	Koury et al.	D725,624 S	3/2015	Carney et al.
D617,889 S	6/2010	Miyake	D728,772 S	5/2015	Santeler et al.
D618,330 S	6/2010	Wolfe	D730,510 S	5/2015	Schanzenbach
D618,782 S	6/2010	Zakula et al.	9,022,846 B1	5/2015	Tom
D621,491 S	8/2010	Tsuji	9,028,212 B1	5/2015	Tom
D622,033 S	8/2010	Lambetz	D732,156 S	6/2015	Penlesky et al.
D628,737 S	12/2010	Van Den Akker	D733,861 S	7/2015	Haaf et al.
D629,561 S	12/2010	Kim et al.	D733,863 S	7/2015	Funnell, II et al.
7,850,513 B1	12/2010	Parker et al.	D737,137 S	8/2015	Exner et al.
D631,144 S	1/2011	Tsuji	9,103,104 B1	8/2015	Tom
D631,188 S	1/2011	Lovegrove	D738,482 S	9/2015	Lin et al.
D632,380 S	2/2011	Kim et al.	D738,538 S	9/2015	Lillejord
D635,238 S	3/2011	Zakula et al.	D739,928 S	9/2015	Raisanen
D636,482 S	4/2011	LeMay	D739,977 S	9/2015	Boyer et al.
D636,611 S	4/2011	Duma	9,131,314 B2	9/2015	Hattori et al.
D638,253 S	5/2011	Tomczyk et al.	D741,463 S	10/2015	Hauville et al.
D638,925 S	5/2011	Charlebois et al.	D741,648 S	10/2015	Wahl
D642,667 S	8/2011	Irwin	D742,494 S	11/2015	Kouketsu et al.
D646,417 S	8/2011	Wauters	D743,520 S *	11/2015	Sinur D23/372
D648,135 S	11/2011	Lee	9,182,138 B2	11/2015	Foreman et al.
D648,471 S	11/2011	Wauters	9,188,132 B1	11/2015	Tom
D653,323 S	1/2012	Jacak	D744,628 S	12/2015	Alexander
D654,998 S	2/2012	Zakula et al.	D745,131 S	12/2015	Sinur et al.
			D745,652 S	12/2015	Berkman et al.
			D746,424 S	12/2015	Takahashi et al.
			D746,427 S	12/2015	Mecker
			9,212,668 B2	12/2015	Deng et al.

(56)

References Cited

U.S. PATENT DOCUMENTS

D747,141 S 1/2016 Wahl
 D747,314 S 1/2016 Sandusky et al.
 D747,576 S 1/2016 Fjellman
 D751,189 S 3/2016 Suzuki et al.
 D751,247 S 3/2016 Reynolds
 D752,201 S 3/2016 Herbst
 D753,869 S 4/2016 Prijic
 D754,319 S 4/2016 Park et al.
 9,303,859 B2 4/2016 Horng et al.
 9,303,888 B2 4/2016 Karst et al.
 D755,942 S 5/2016 Kim
 D758,559 S * 6/2016 Sinur D23/372
 D759,800 S 6/2016 Adrian et al.
 D771,231 S 11/2016 Chen et al.
 D778,424 S 2/2017 Jonas et al.
 D778,425 S 2/2017 Jonas et al.
 D779,050 S 2/2017 Jonas et al.
 D784,511 S 4/2017 Jonas et al.
 D784,512 S 4/2017 Jonas et al.
 D785,777 S * 5/2017 Puffer D23/372
 D804,627 S 12/2017 Puffer et al.
 D814,009 S 3/2018 Puffer et al.
 D820,428 S * 6/2018 Sinur D23/372
 D826,391 S 8/2018 Puffer et al.
 D826,392 S * 8/2018 Sinur D23/372
 D834,695 S 11/2018 Puffer et al.
 D836,765 S 12/2018 Puffer et al.
 D838,829 S * 1/2019 Puffer D23/370
 D838,830 S * 1/2019 Puffer D23/370
 D858,734 S 9/2019 Puffer et al.
 2002/0083691 A1 * 7/2002 Chang B01D 46/0005
 55/385.1
 2003/0220069 A1 11/2003 Orendorff
 2005/0095979 A1 5/2005 Moreno
 2005/0111840 A1 5/2005 Craw et al.
 2007/0167128 A1 7/2007 Popowitz
 2007/0256681 A1 * 11/2007 Chiang F24C 15/2071
 126/299 R
 2008/0190411 A1 * 8/2008 Chiang F24C 15/2035
 126/299 R
 2009/0130970 A1 5/2009 Jacak et al.
 2009/0170421 A1 7/2009 Adrian et al.
 2009/0280737 A1 11/2009 Jacak et al.
 2011/0036340 A1 * 2/2011 Chu F24C 15/20
 126/299 D
 2012/0083198 A1 * 4/2012 Sinur F24C 15/20
 454/237
 2012/0087132 A1 4/2012 Zakula et al.
 2013/0038355 A1 2/2013 Heo
 2013/0087133 A1 4/2013 Davis et al.

2013/0233295 A1 * 9/2013 Oagley F24C 15/20
 126/299 D
 2014/0063796 A1 3/2014 Zakula et al.
 2015/0117034 A1 4/2015 Horng et al.
 2015/0125292 A1 5/2015 Karst et al.
 2015/0140923 A1 5/2015 Penlesky et al.
 2015/0219118 A1 8/2015 Zakula et al.
 2015/0241070 A1 * 8/2015 Lin F24C 15/2035
 126/299 D
 2016/0029109 A1 1/2016 Liu et al.
 2016/0069561 A1 3/2016 Jonas et al.
 2016/0341433 A1 * 11/2016 Gauthier F24C 15/2028

FOREIGN PATENT DOCUMENTS

CA	108557	1/2006
CA	2636643	12/2012
CA	163015	5/2016
CA	163016	5/2016
CA	163017	5/2016
CA	163018	5/2016
CN	303580220	2/2016
CN	303580221	2/2016
CN	303580222	2/2016
CN	303580223	2/2016
CN	303580224	2/2016
EP	1248048	10/2002
FR	1234767	10/1960

OTHER PUBLICATIONS

Emerson Environment Products, Whole House Fan and Shutter System Owners Manual, Dec. 1982.
 Spartan Electric Company, Direct Drive Whole House Fans Publication, available prior to Jan. 2, 2008.
 “Whirlpool 30 and 36 Range Hood Models UXT3030AY/ UXT3036AY.” Installation Instructions and Use & Care Guide, [online], Retrieved from the Internet: <http://www.whirlpool.ca/digitalassests/UXT3030AYB/US%20and%20Care_EN.pdf>, 2011. 28 pages.
 “Maytag 30 in. Non-Vented Range Hood in Stainless Steel,” Model# UXT4030AYS, Home Depot, [online], Retrieved from the Internet on Sep. 23, 2013: <http://www.homedepot.com/p/Maytag-30-in-Non-Vented-Range-Hood-in-Stainless-Steel-UXT_4030AYS/202832999#customer_reviews>, 5 pages.
 “Ultra Green Series,” [online], Retrieved from Internet: <<http://web.archive.org/web/20140416053348/http://www.boran.com/products/filter/ultra-406c-abf1-ed72241eb706>>, Apr. 16, 2014.
 Admitted Prior Art Zephyr Breeze Range Hood.

* cited by examiner

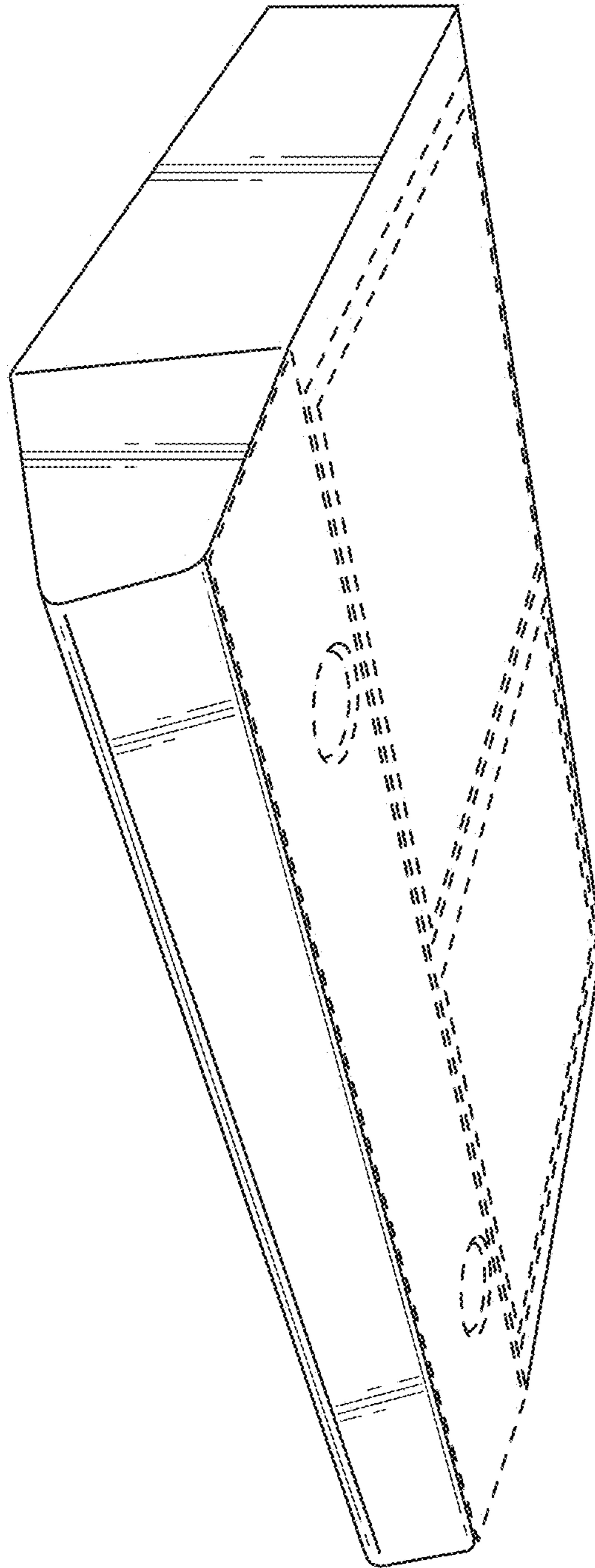


FIG. 1

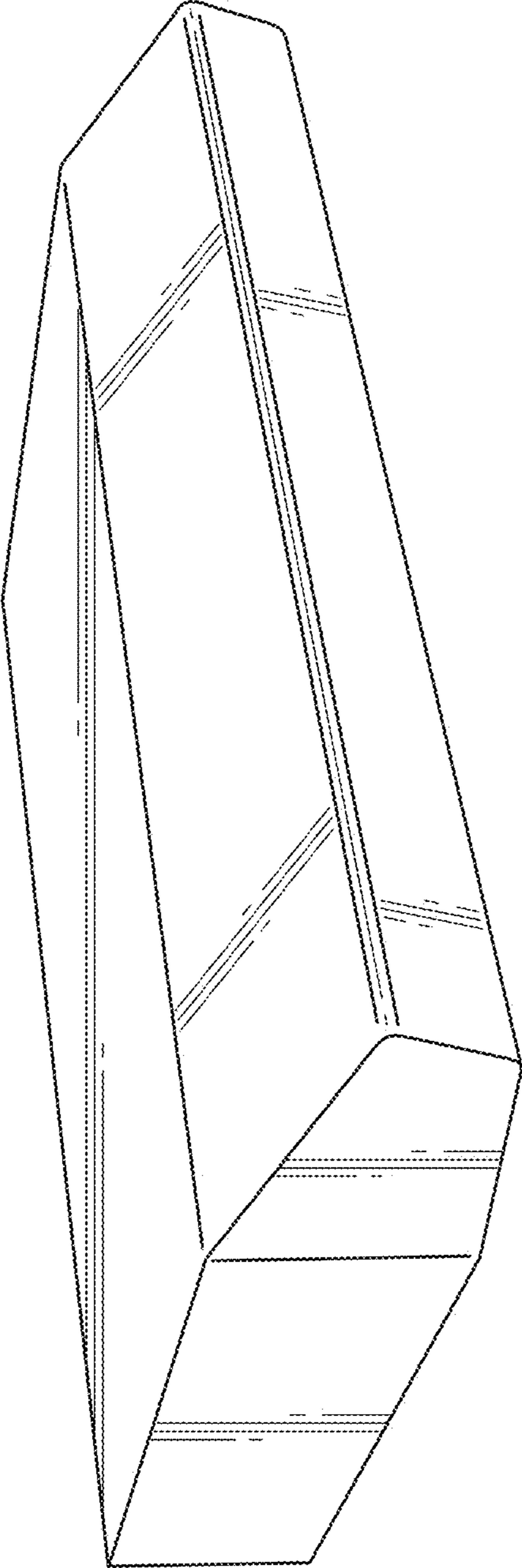


FIG. 2

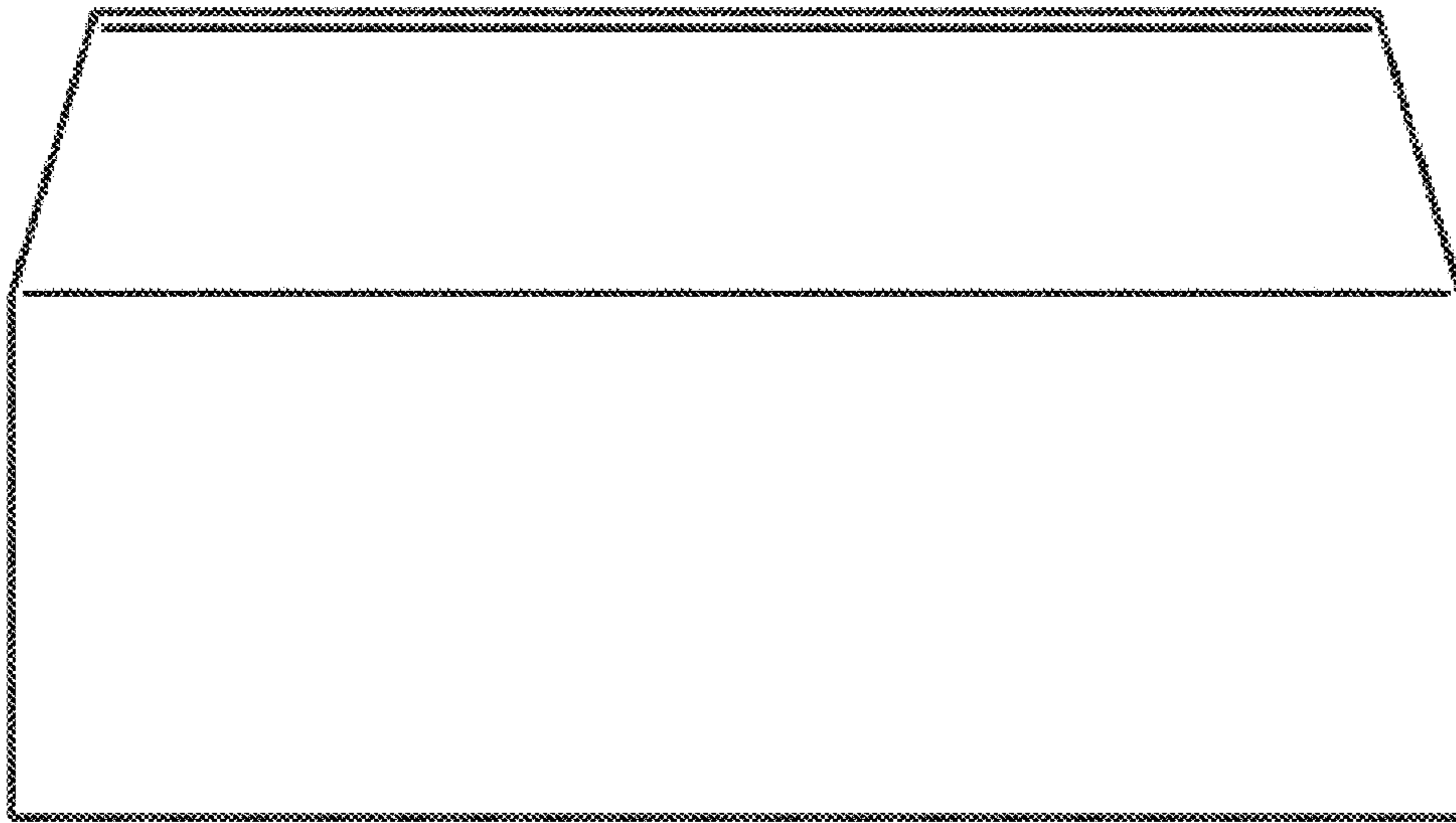


FIG. 3

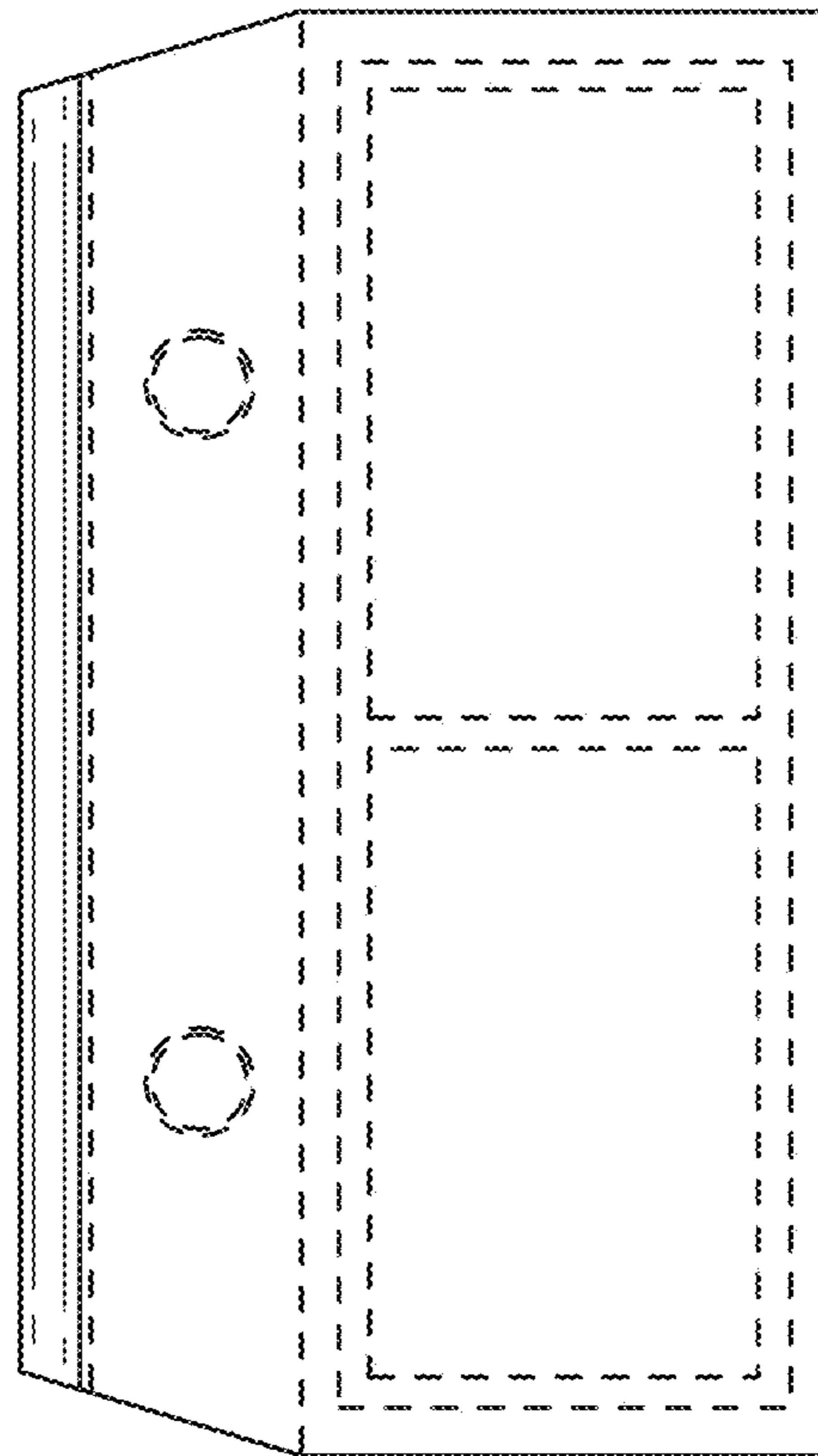


FIG. 4

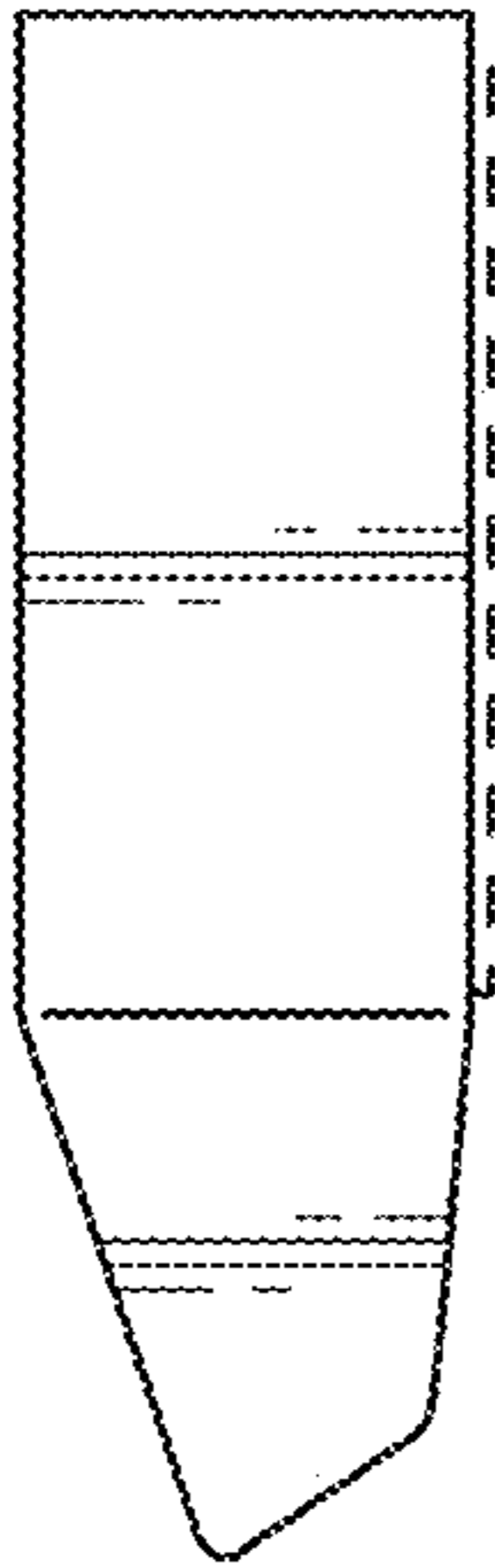


FIG. 5

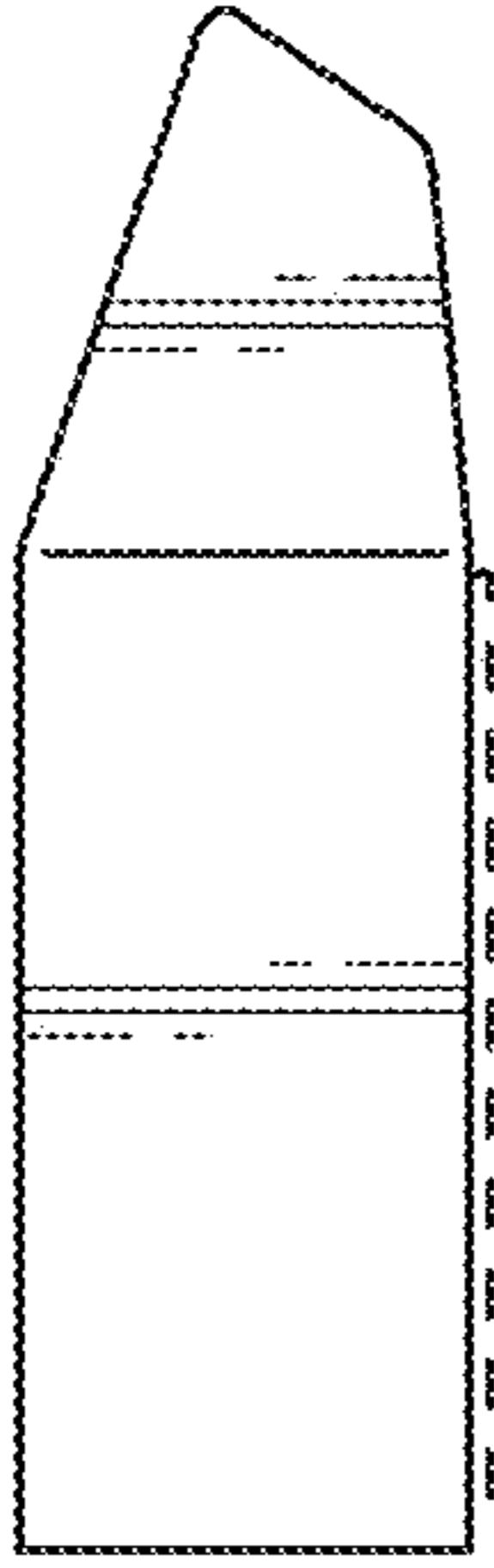


FIG. 6

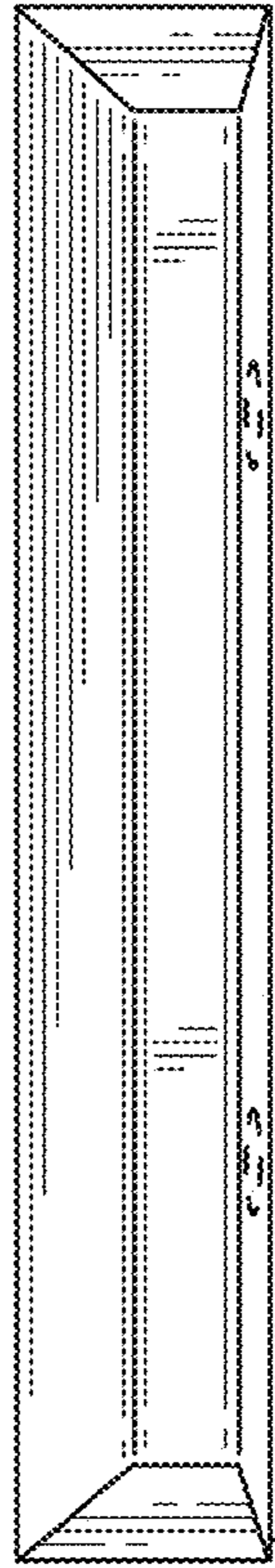


FIG. 7

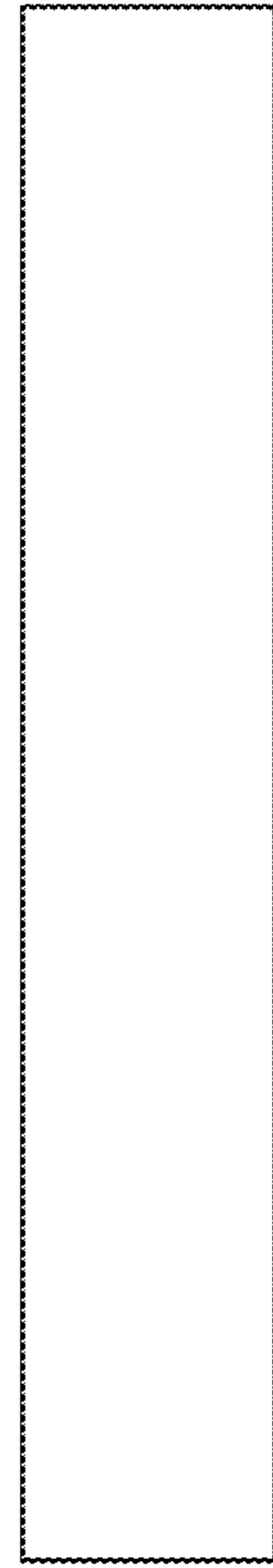


FIG. 8