

US00D897520S

(12) **United States Design Patent** (10) **Patent No.:** **US D897,520 S**  
**Gebert et al.** (45) **Date of Patent:** **\*\* Sep. 29, 2020**

(54) **FAN**

(56) **References Cited**

(71) Applicant: **ebm-papst Mulfingen GmbH & Co. KG**, Mulfingen (DE)

U.S. PATENT DOCUMENTS

(72) Inventors: **Daniel Gebert**, Öhringen (DE);  
**Werner Haas**, Dunningen (DE);  
**Wolfgang Laufer**, Aichalden (DE);  
**Eugen Usselmann**, Bad Dürkheim (DE); **Tobias Sieger**, Geiseingen (DE)

D297,761 S *	9/1988	Shiraki	.....	D23/370
D492,986 S *	7/2004	Chiu	.....	D23/370
D507,639 S *	7/2005	Chiu	.....	D23/370
D513,530 S *	1/2006	Chen	.....	D23/379
D531,716 S *	11/2006	Watanabe	.....	D23/370
D560,622 S *	1/2008	Ishihara	.....	D13/179
2010/0033041 A1 *	2/2010	Watanabe	.....	F04D 19/007 310/63
2010/0329857 A1 *	12/2010	Heli	.....	F04D 25/0613 415/182.1

(73) Assignee: **ebm-papst Mulfingen GmbH & Co. KG**, Mulfingen (DE)

\* cited by examiner

(\*\*) Term: **15 Years**

*Primary Examiner* — Cathron C Brooks

(21) Appl. No.: **29/653,041**

*Assistant Examiner* — Sharon S Oum

(22) Filed: **Jun. 12, 2018**

(74) *Attorney, Agent, or Firm* — Harness, Dickey & Pierce, P.L.C.

(30) **Foreign Application Priority Data**

(57) **CLAIM**

Dec. 13, 2017 (EM) ..... 004546729-0001

The ornamental design for a fan, as shown and described.

(51) **LOC (12) Cl.** ..... **23-04**

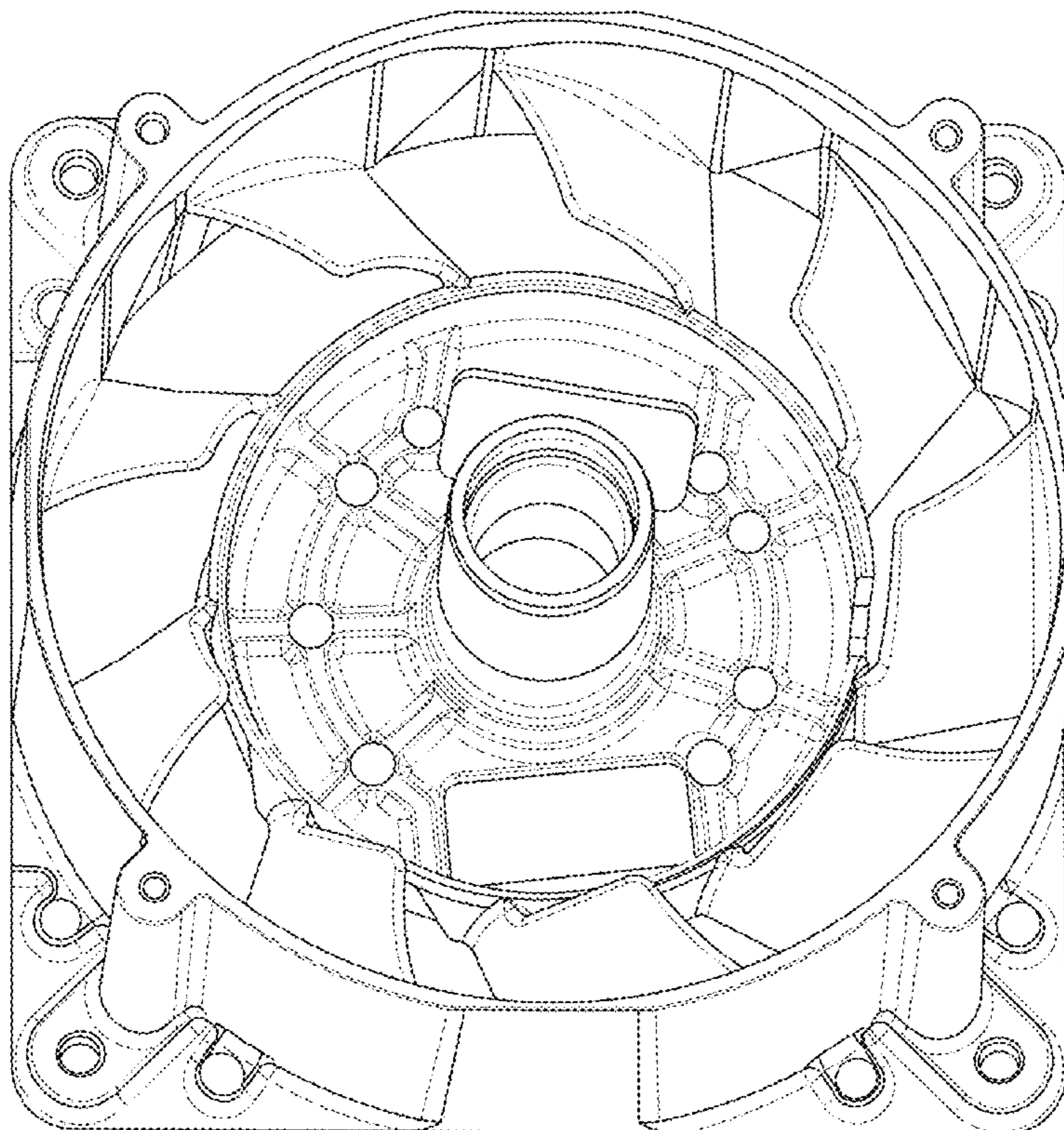
**DESCRIPTION**

(52) **U.S. Cl.**  
USPC ..... **D23/370**

(58) **Field of Classification Search**  
USPC ..... D23/393, 411-414, 351-354, 332-336,  
D23/355, 366-386, 324-325; D13/179  
CPC ..... F04D 29/545; F04D 29/661; F04D 5/00;  
F04D 27/00; F04D 29/329  
See application file for complete search history.

FIG. 1 is a front plan view thereof;  
FIG. 2 is a rear plan view thereof;  
FIG. 3 is a left side elevation view thereof;  
FIG. 4 is a rear perspective view thereof;  
FIG. 5 is a front perspective view thereof;  
FIG. 6 is a side perspective view thereof; and,  
FIG. 7 is a right side elevation view thereof.

**1 Claim, 7 Drawing Sheets**



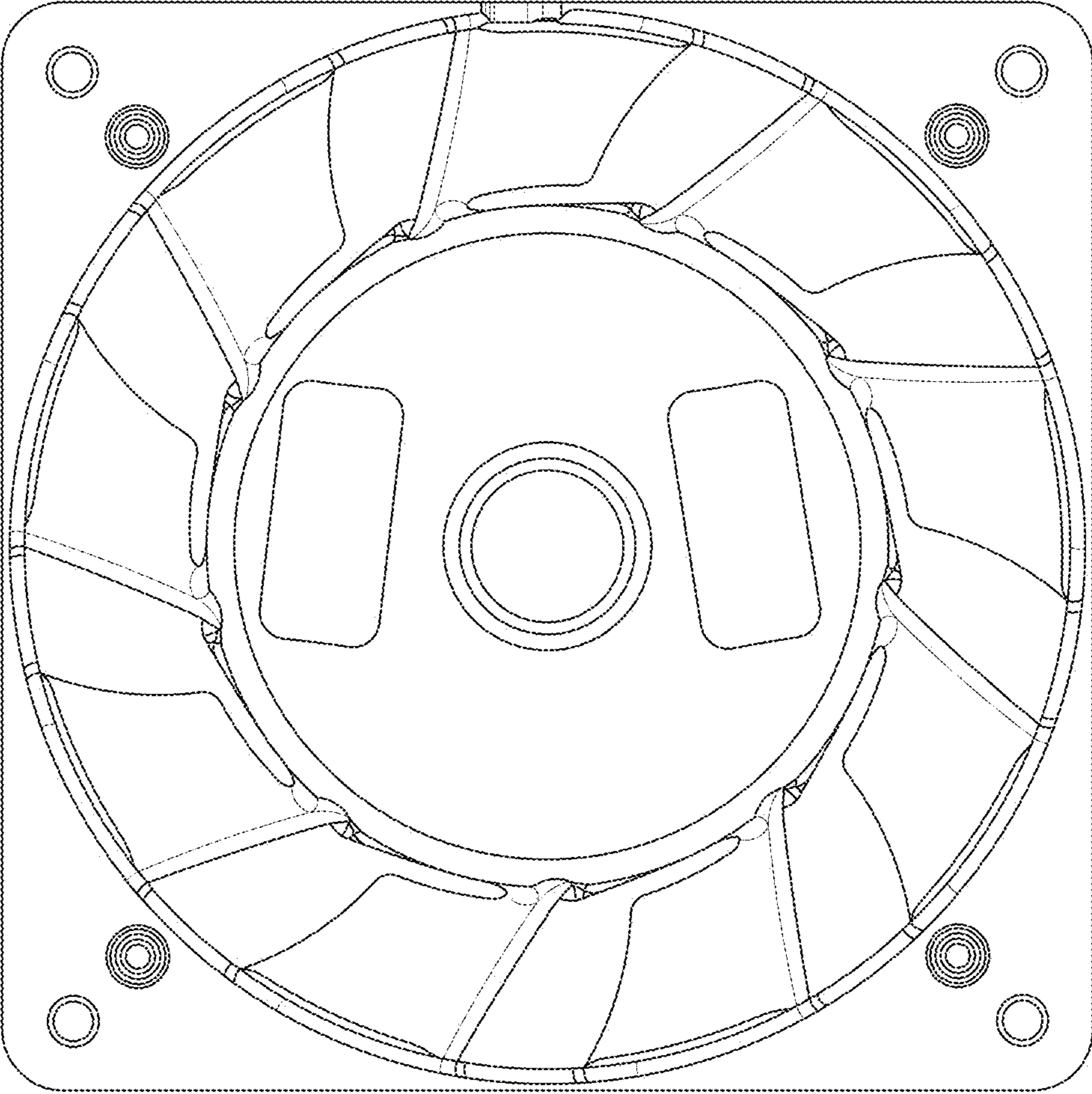


FIG. 1

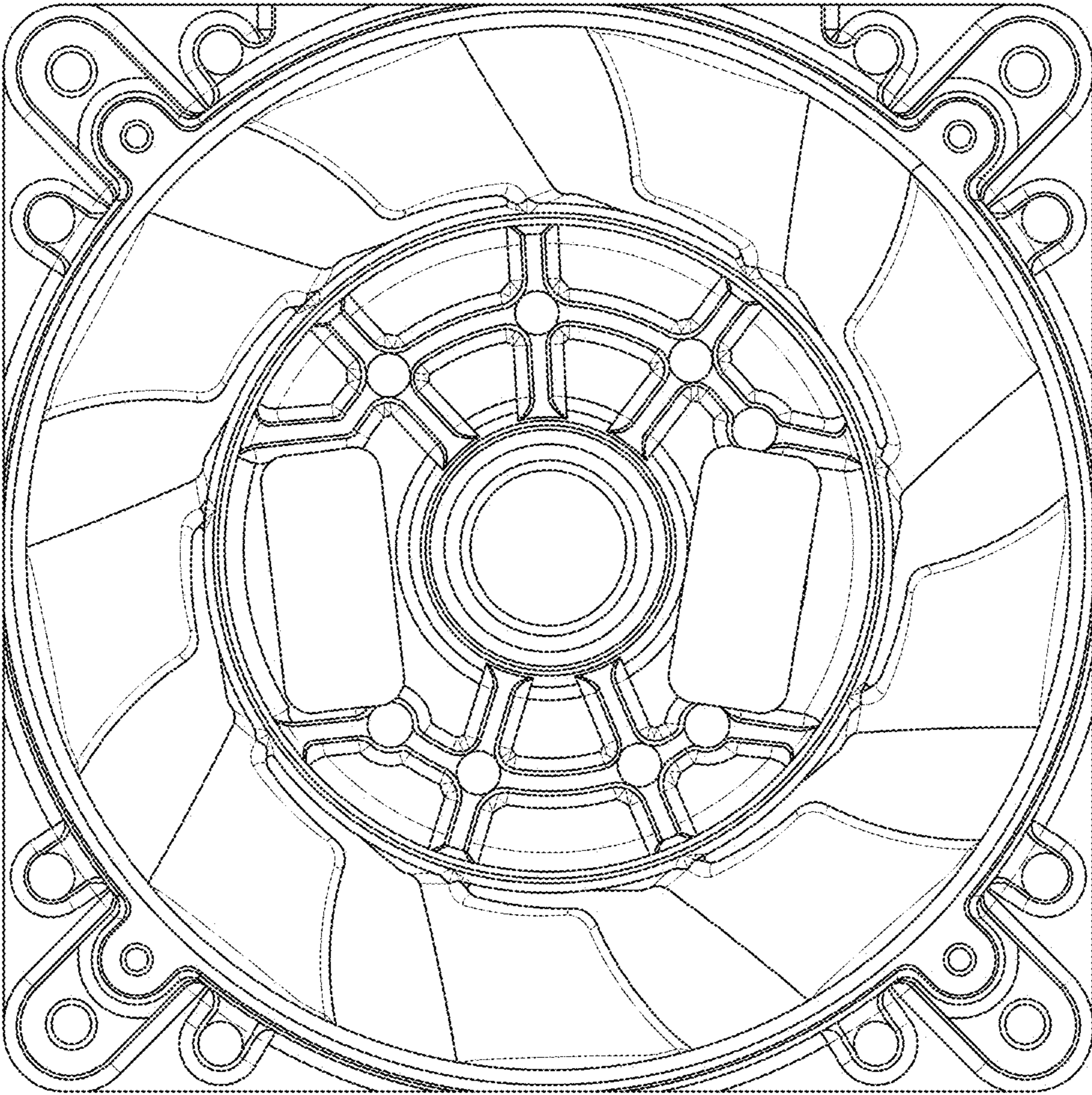


FIG. 2

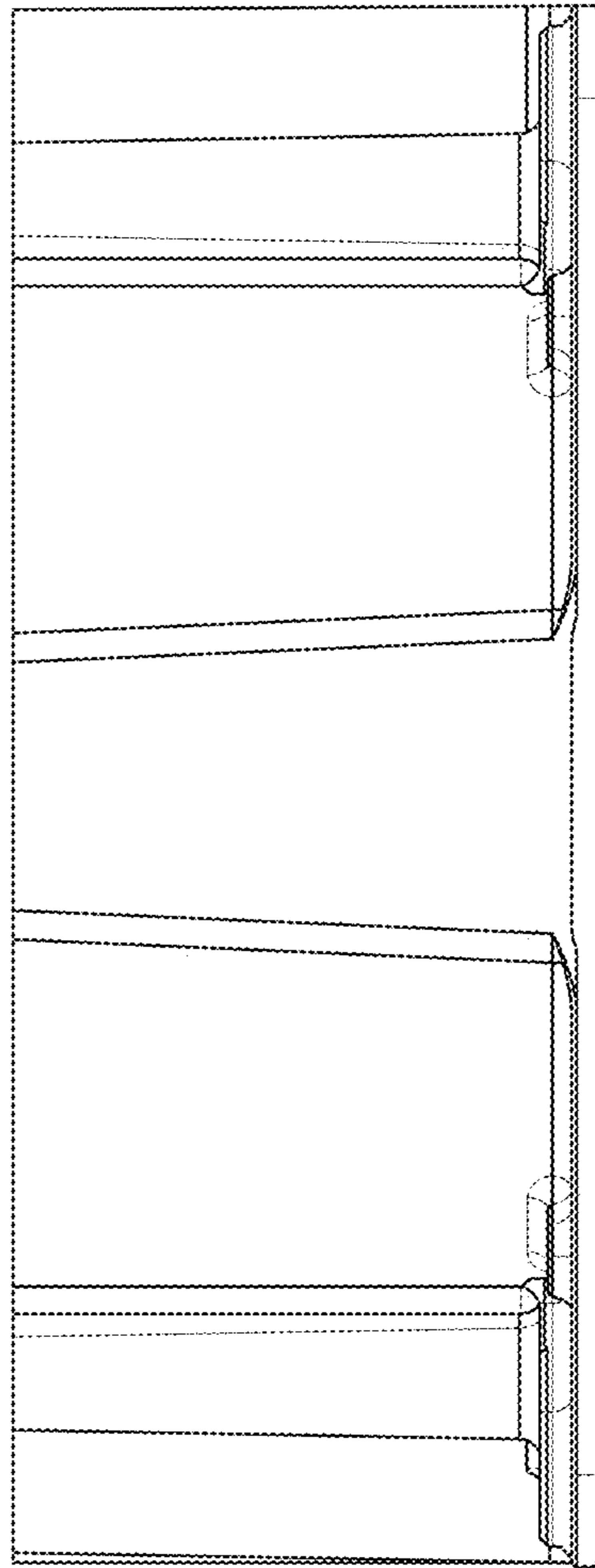


FIG. 3

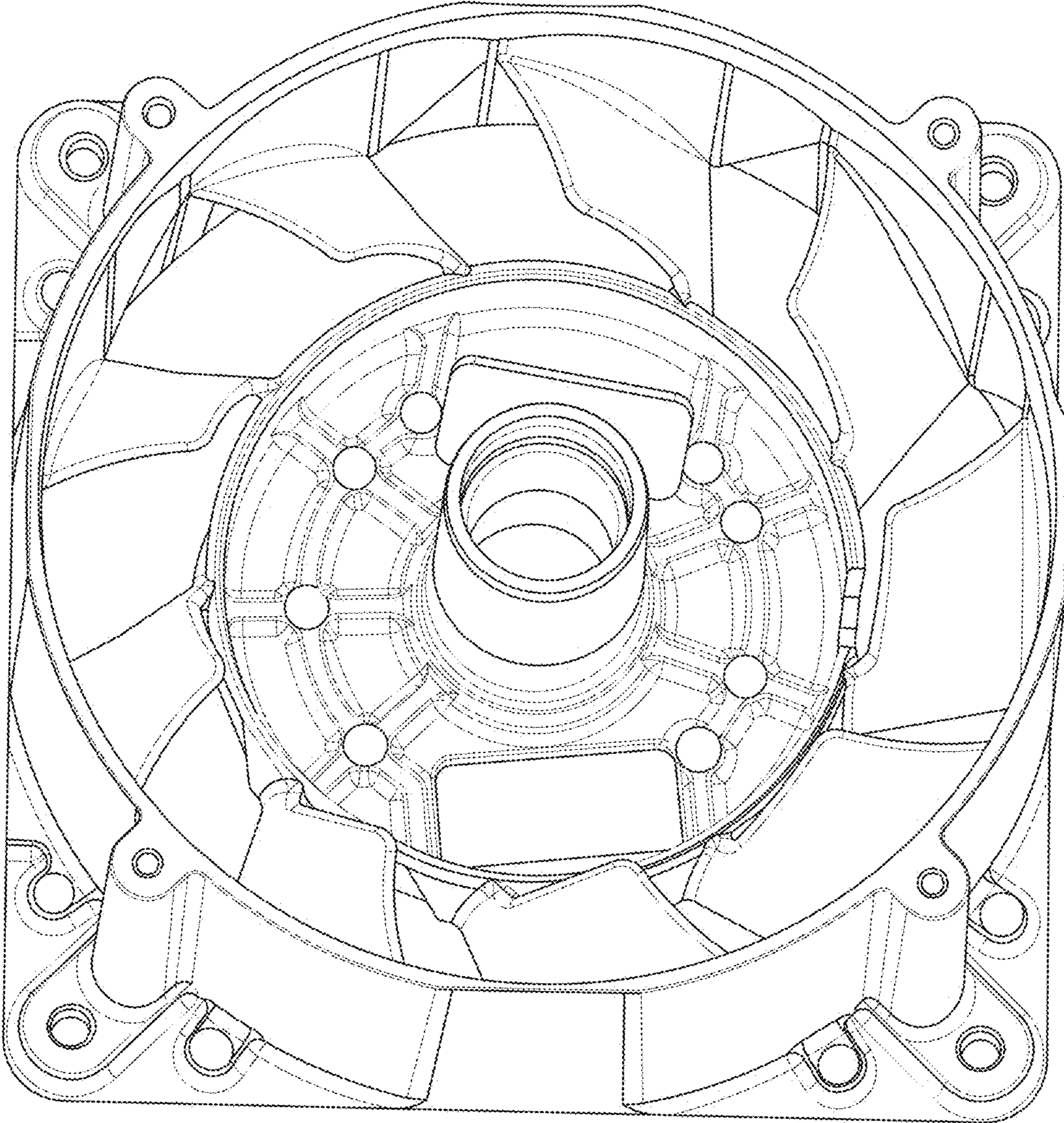


FIG. 4

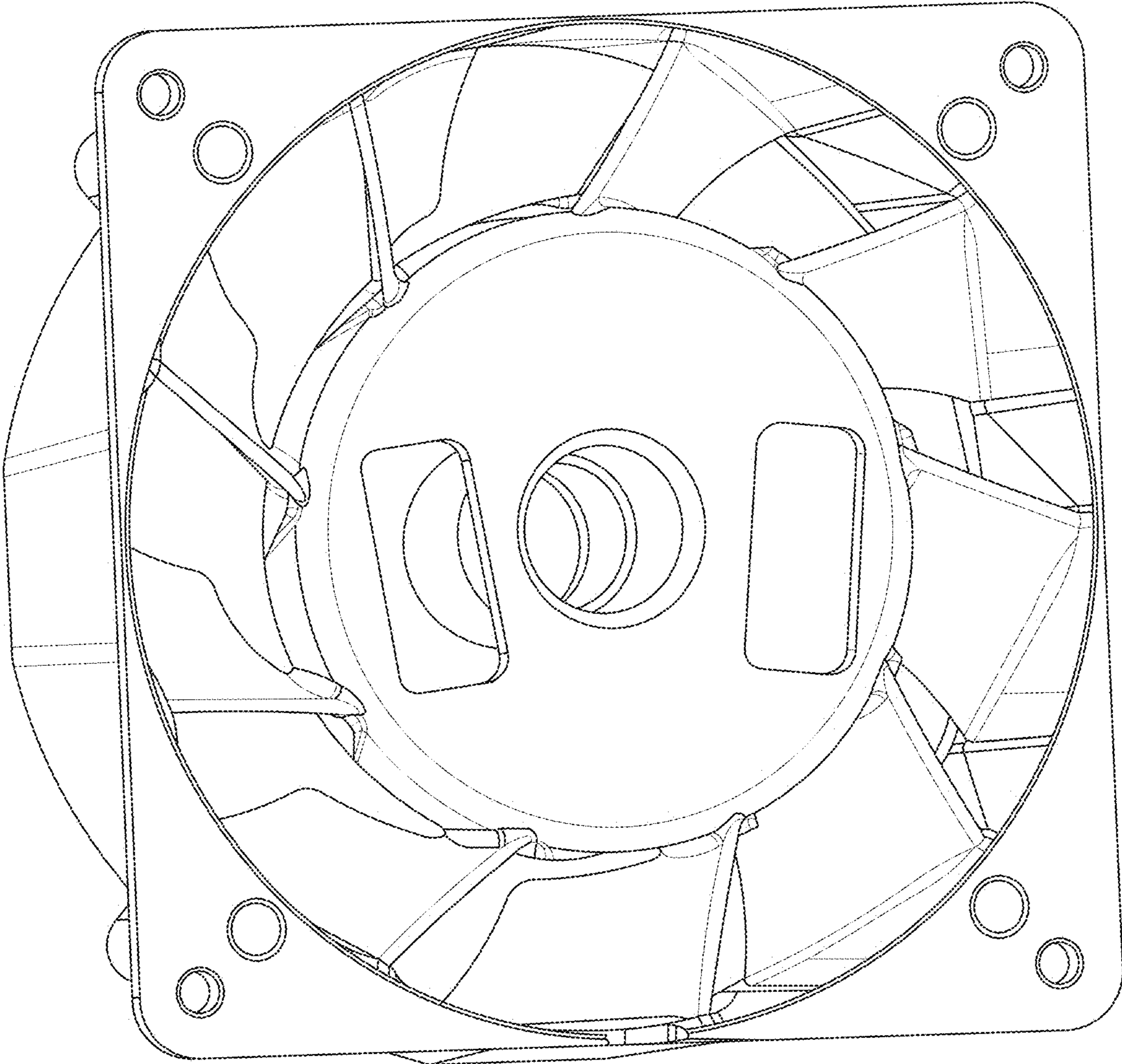


FIG. 5

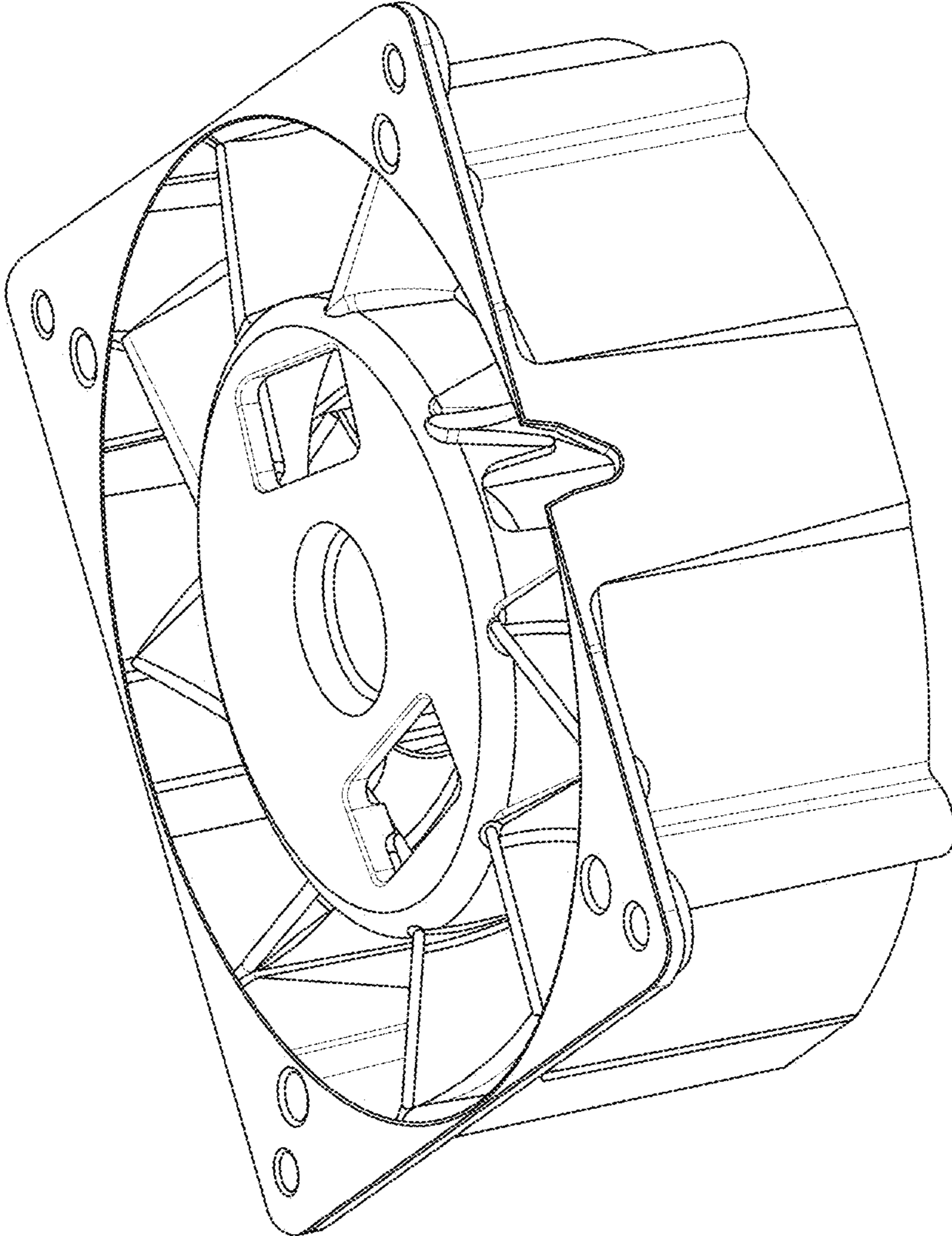


FIG. 6

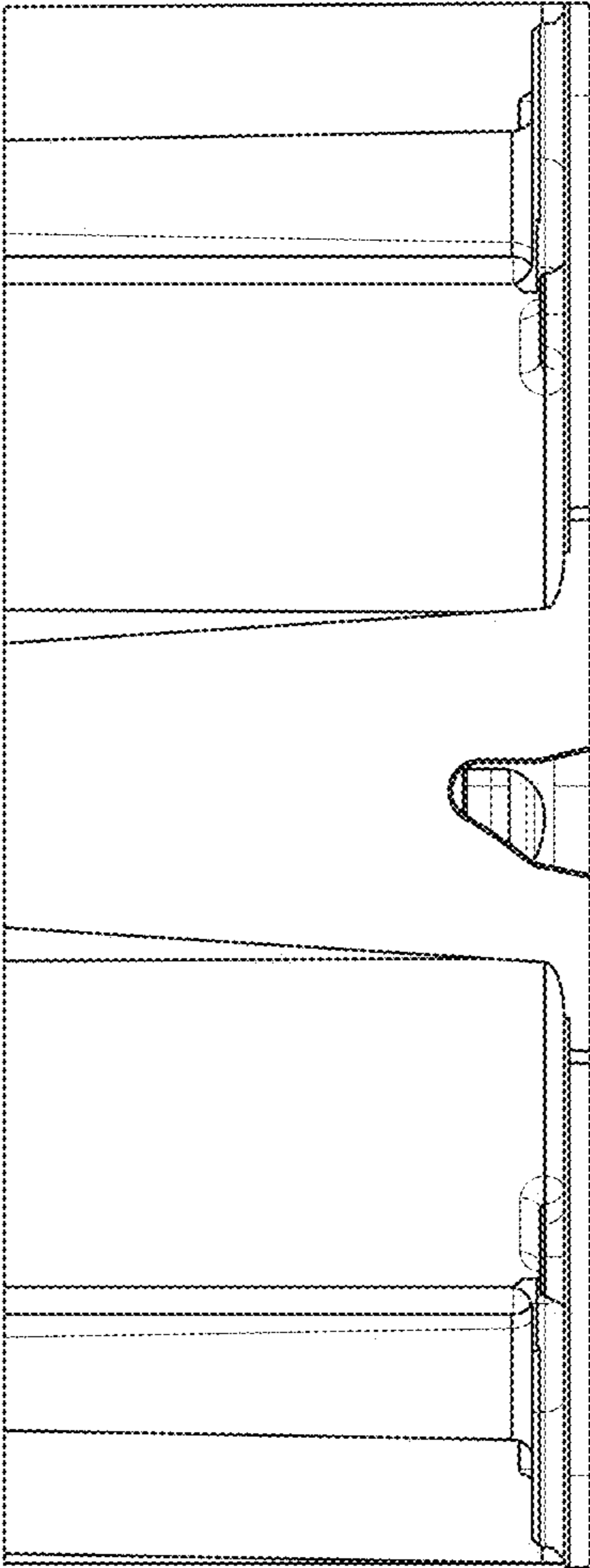


FIG. 7