



US00D897517S

(12) **United States Design Patent** (10) **Patent No.:** **US D897,517 S**  
**Wolf et al.** (45) **Date of Patent:** **\*\* Sep. 29, 2020**

(54) **AIR FILTER**

(71) Applicant: **Kohler Co.**, Kohler, WI (US)

(72) Inventors: **Christopher Wolf**, Brown Deer, WI (US); **Eric B. Hudak**, Sheboygan, WI (US); **Michelle Formanek**, Sheboygan, WI (US); **Michael E. Smies**, Waldo, WI (US)

(73) Assignee: **Kohler Co.**

(\*\*) Term: **15 Years**

(21) Appl. No.: **29/645,343**

(22) Filed: **Apr. 25, 2018**

(51) **LOC (12) Cl.** ..... **23-04**

(52) **U.S. Cl.**  
USPC ..... **D23/365**

(58) **Field of Classification Search**  
USPC ..... D23/209, 235, 341, 358, 363–365, 393;  
D15/5; 210/355; 55/498  
CPC ..... F02M 35/04; F02M 35/10; F02M 35/024;  
B01D 46/0002; B01D 46/10  
See application file for complete search history.

(56) **References Cited**

**U.S. PATENT DOCUMENTS**

D401,684 S \* 11/1998 Shelton ..... D23/365  
D438,214 S \* 2/2001 Gieseke ..... D15/5

D471,623 S \* 3/2003 Gieseke ..... D23/365  
D652,496 S \* 1/2012 Greenlees ..... D23/365  
D713,023 S \* 9/2014 Chen ..... D23/365  
D763,426 S \* 8/2016 Koch ..... D23/365  
D770,592 S \* 11/2016 Schwartz ..... D23/209  
D793,544 S \* 8/2017 Ramirez ..... D23/365  
D808,506 S \* 1/2018 Koch ..... D23/365  
D844,103 S \* 3/2019 Yoshita ..... D23/209

\* cited by examiner

*Primary Examiner* — Lakiya G Rogers

*Assistant Examiner* — John A Voytek

(74) *Attorney, Agent, or Firm* — The Belles Group, P.C.

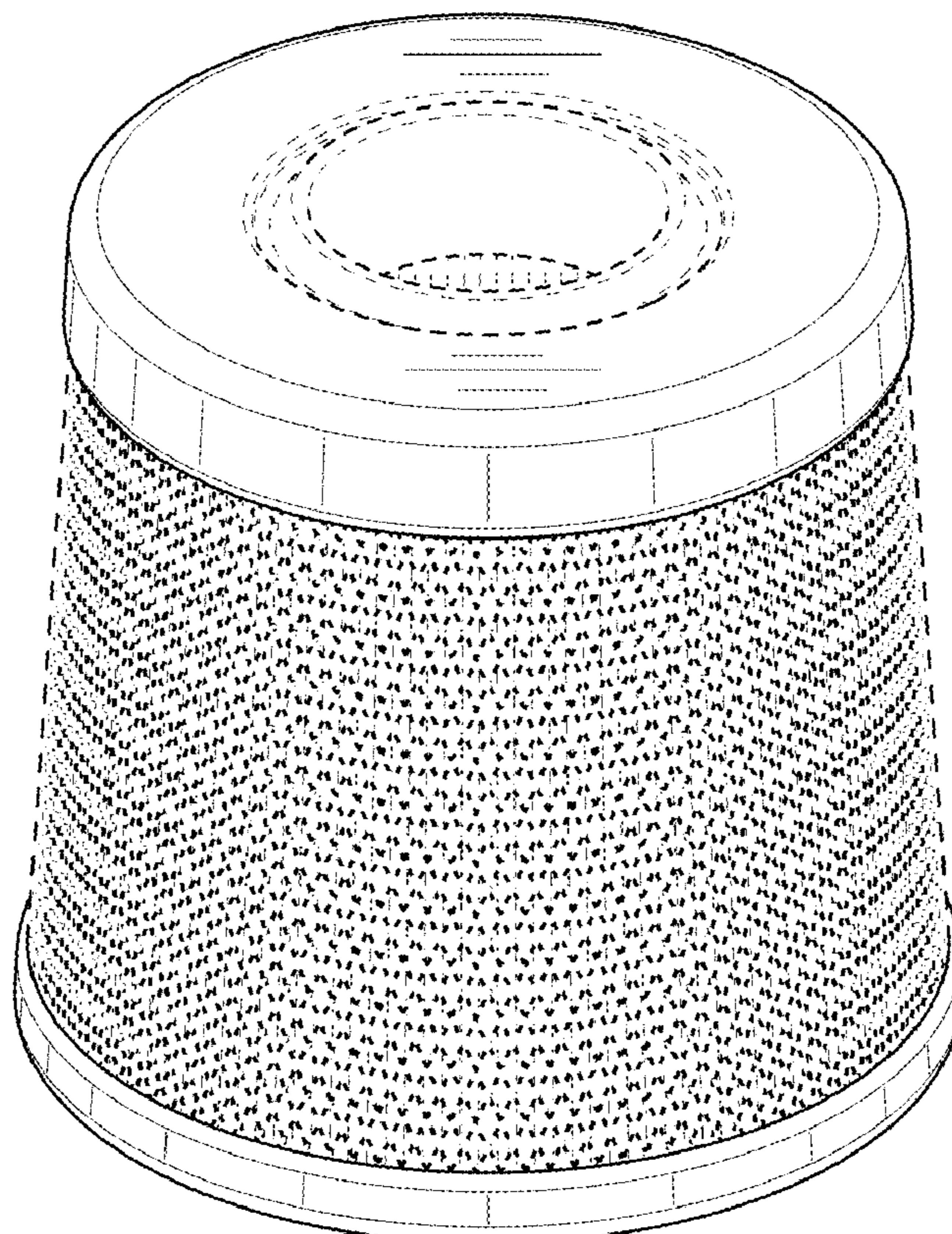
(57) **CLAIM**

The ornamental design for an air filter, as shown and described.

**DESCRIPTION**

FIG. 1 is a front top perspective view of an air filter according to the new design;  
FIG. 2 is a rear bottom perspective view thereof;  
FIG. 3 is a front elevation view thereof;  
FIG. 4 is a top plan view thereof; and,  
FIG. 5 is a bottom plan view thereof.  
The broken lines in the drawings show portions of the air filter that form no part of the claimed design.

**1 Claim, 5 Drawing Sheets**



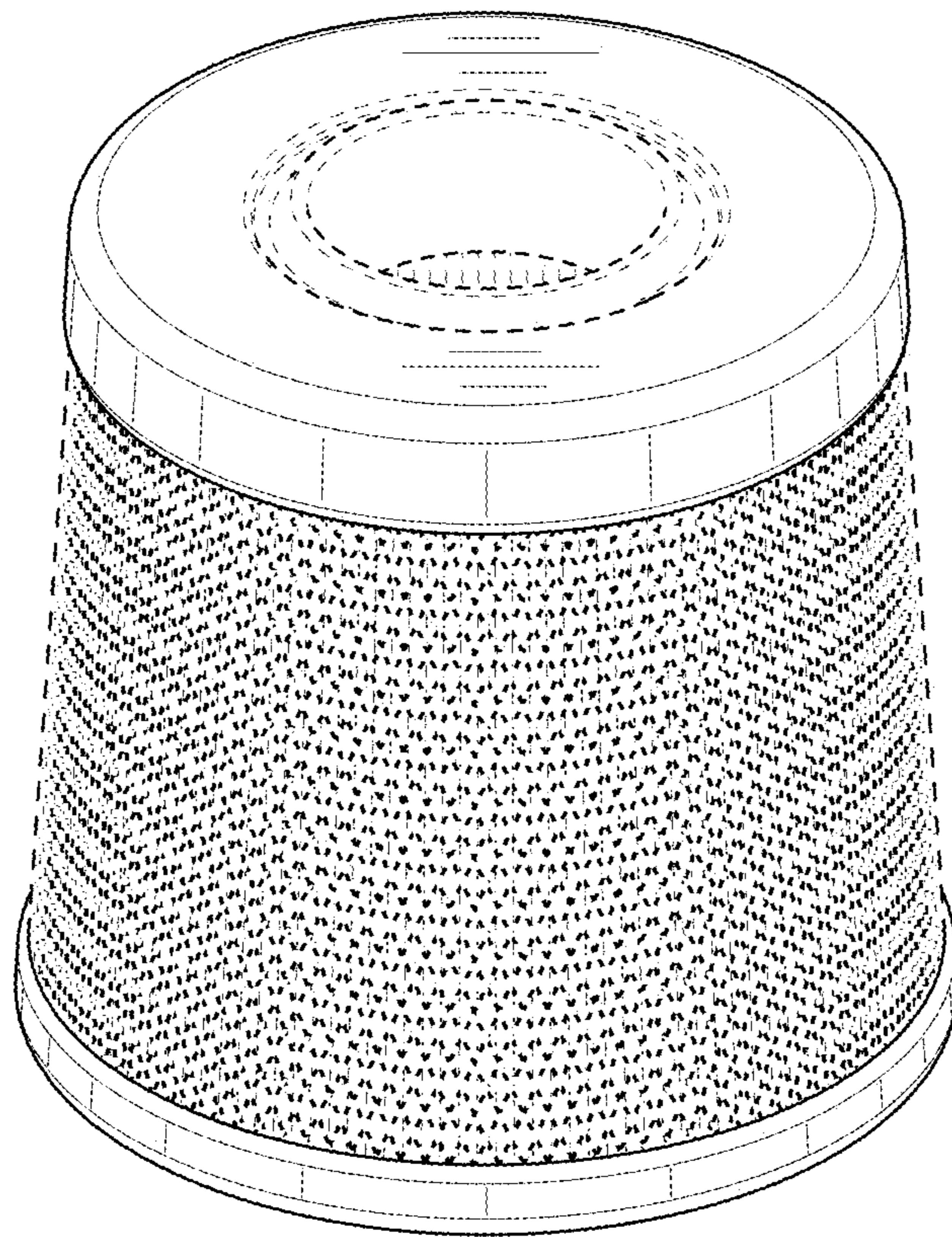


FIG. 1

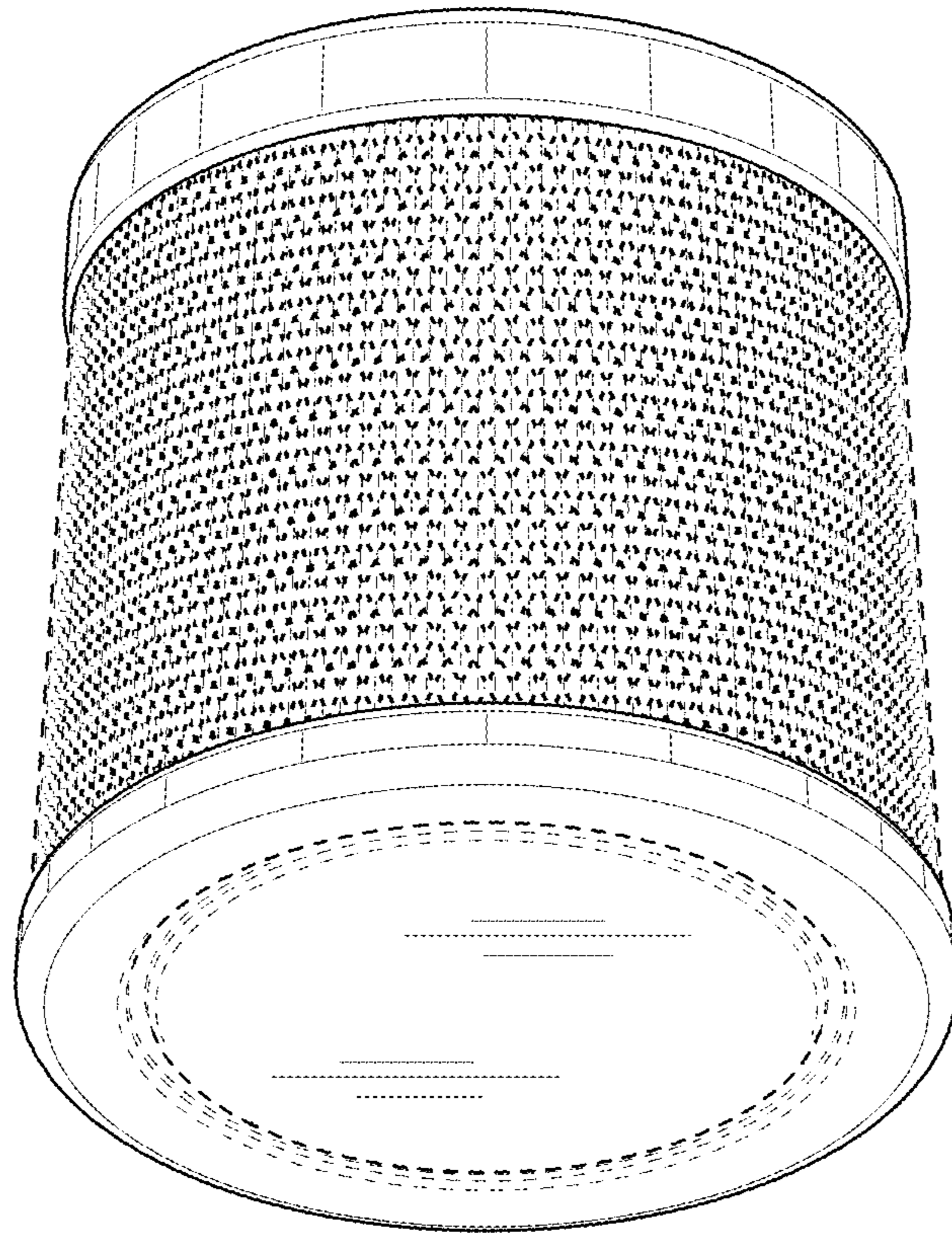


FIG. 2

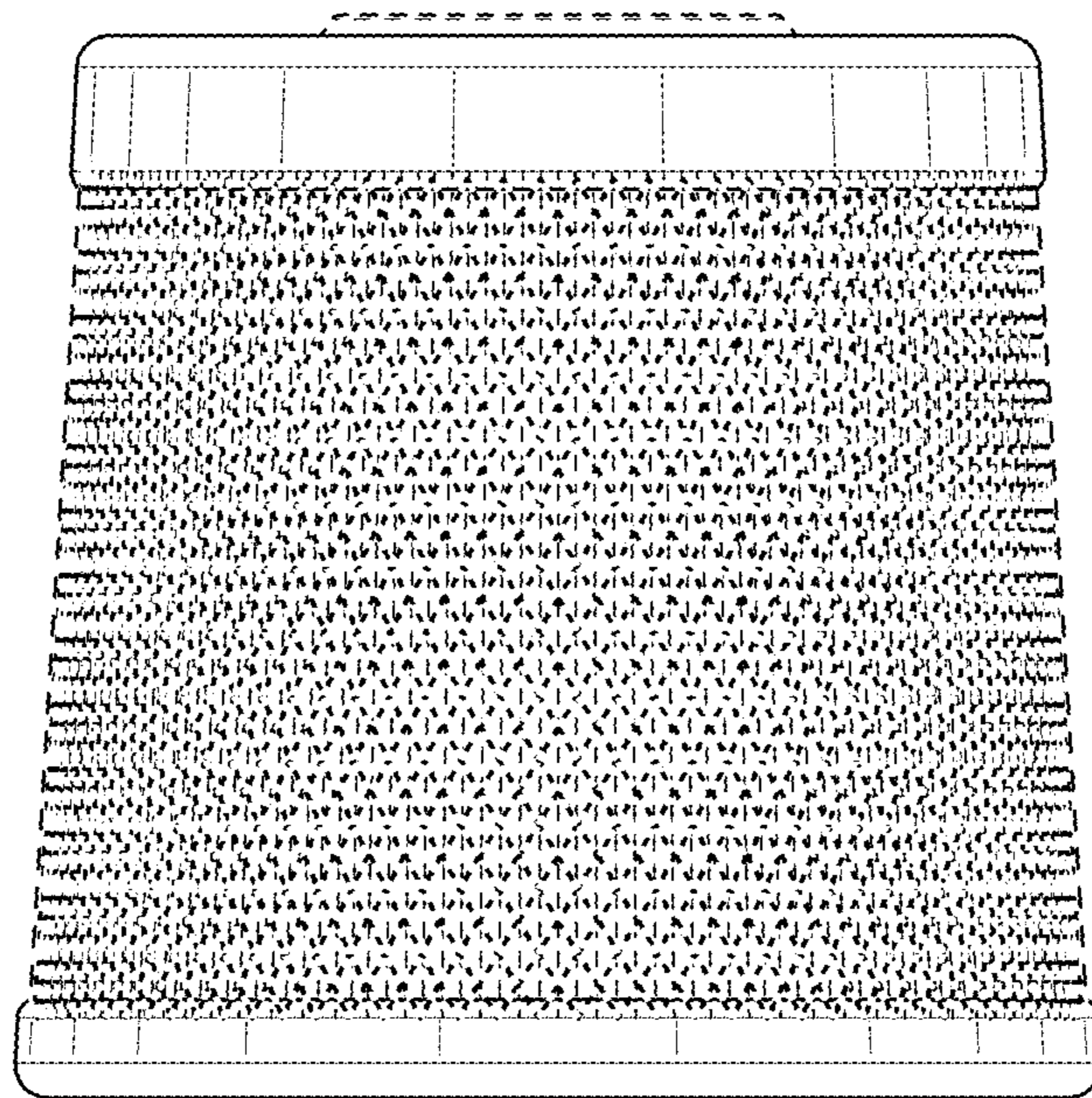


FIG. 3

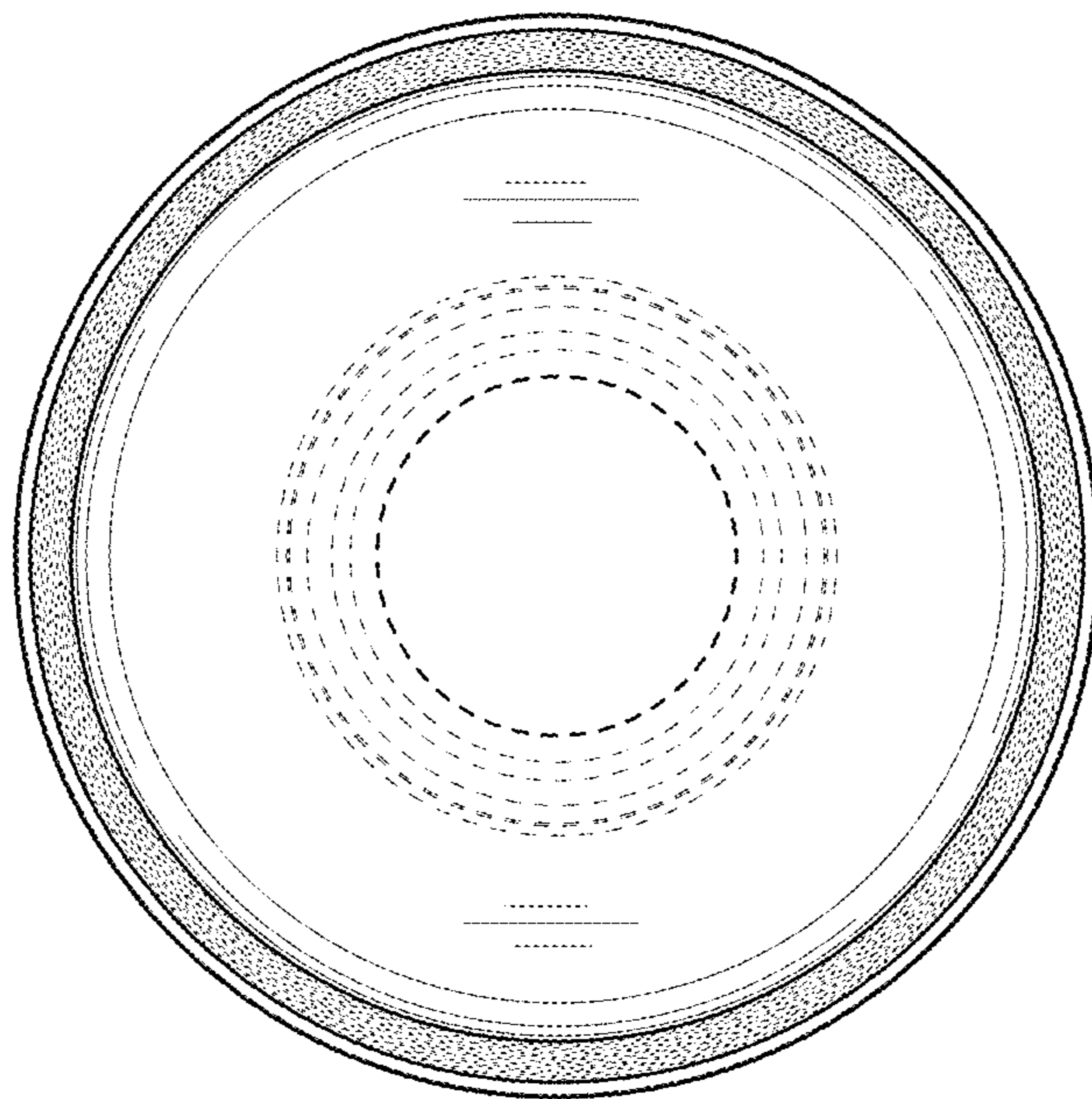


FIG. 4

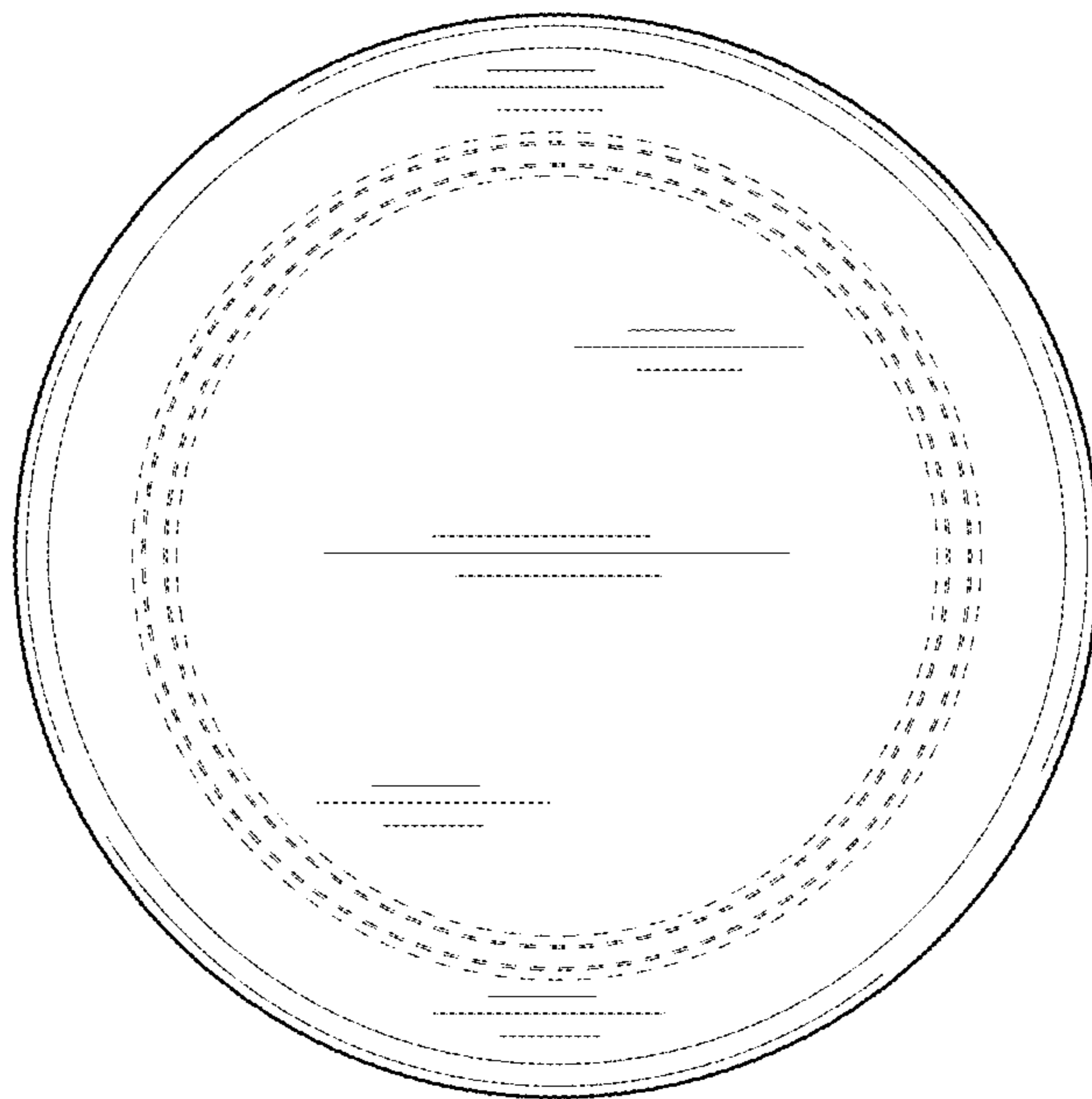


FIG. 5