



US00D897515S

(12) **United States Design Patent**
Liu et al.

(10) **Patent No.:** **US D897,515 S**
(45) **Date of Patent:** **** Sep. 29, 2020**

- (54) **HUMIDIFIER**
- (71) Applicant: **SHENZHEN QIANHAI PATUOXUN NETWORK AND TECHNOLOGY CO., LTD**, Shenzhen (CN)
- (72) Inventors: **Mingyang Liu**, Shenzhen (CN);
Jingxiao Jin, Shenzhen (CN)
- (73) Assignee: **SHENZHEN QIANHAI PATUOXUN NETWORK AND TECHNOLOGY CO., LTD**, Shenzhen (CN)

D647,189 S *	10/2011	Mochizuki	D23/366
D729,918 S *	5/2015	Seo	D23/356
D755,361 S *	5/2016	Osborn	D23/366
D801,503 S	10/2017	Reed	
D811,571 S	2/2018	Hu	
D811,931 S *	3/2018	Yu	D11/131.1
D812,210 S *	3/2018	Tang	D23/366
D839,405 S *	1/2019	Hu	D23/366
D848,594 S *	5/2019	Chen	D23/356
D849,915 S *	5/2019	Chen	D23/366
D851,227 S *	6/2019	Chen	D23/366
D877,877 S *	3/2020	Klipshtein	D23/366
D888,924 S *	6/2020	Gobber	D23/366

* cited by examiner

(**) Term: **15 Years**

Primary Examiner — David G Muller

(21) Appl. No.: **29/736,606**

(22) Filed: **Jun. 1, 2020**

(51) **LOC (12) Cl.** **23-02**

(52) **U.S. Cl.**
USPC **D23/356**

(58) **Field of Classification Search**
USPC D23/355-366, 352, 369, 332, 333, 335,
D23/336, 342, 351; 422/120, 122;
55/356, 473, 504; 96/97; 261/DIG. 17,
261/DIG. 65, DIG. 88, DIG. 31
CPC .. A61L 9/16; A61L 9/22; B01D 47/00; B01D
47/027; B01D 2221/02; B01D 2259/4508;
B03C 3/155; B03C 3/368; F24F 3/16;
F24F 13/20; F24F 13/28; F24F
2001/0096

See application file for complete search history.

(56) **References Cited**

U.S. PATENT DOCUMENTS

D510,134 S *	9/2005	Lablaine	D23/366
D536,434 S *	2/2007	DongSheng	D23/366

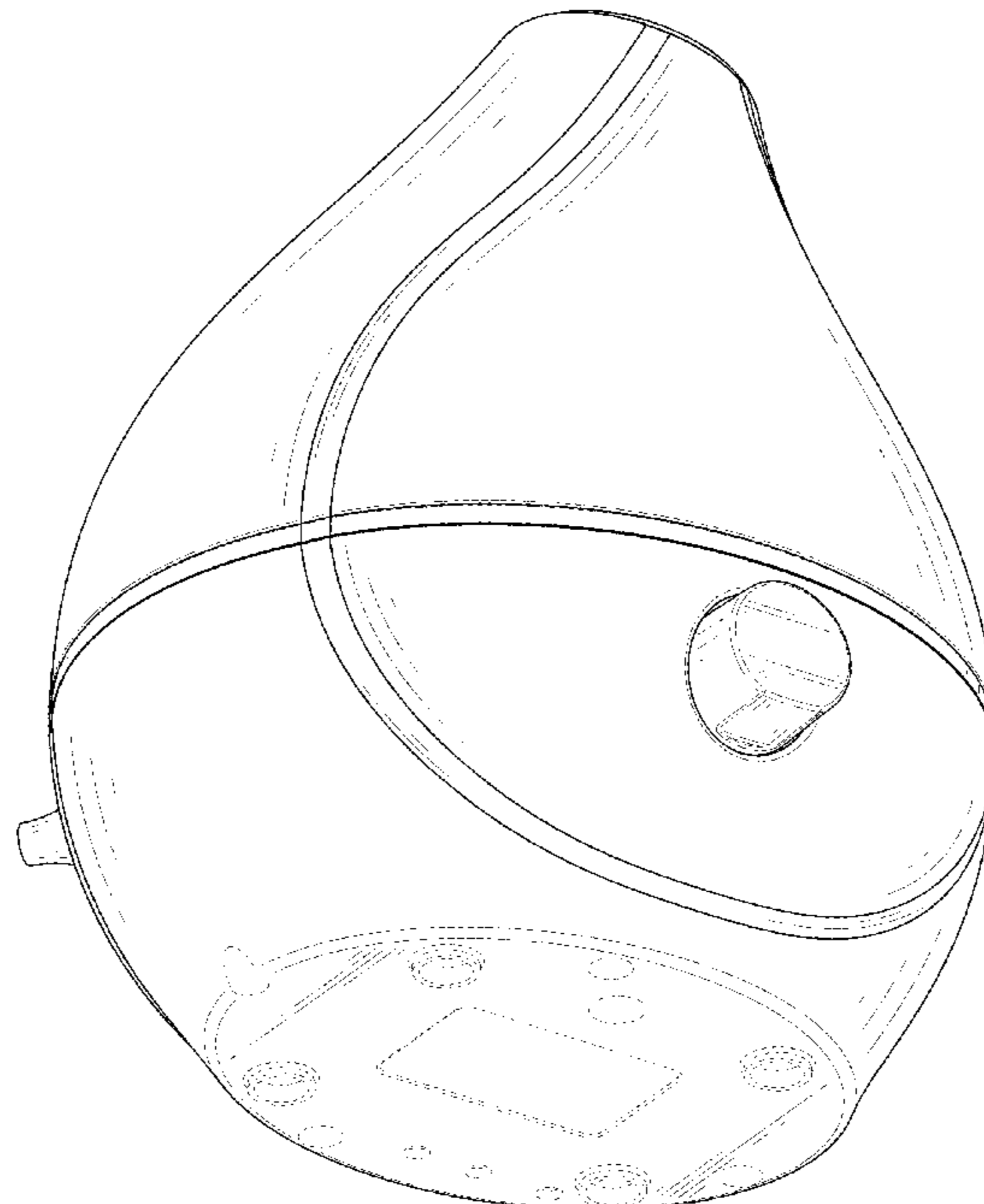
(57) **CLAIM**

The ornamental design for a humidifier, as shown and described.

DESCRIPTION

FIG. 1 is a perspective view of a humidifier showing my new design;
FIG. 2 is another perspective view thereof;
FIG. 3 is a front elevational view thereof;
FIG. 4 is a rear elevational view thereof;
FIG. 5 is a left side elevational view thereof;
FIG. 6 is a right side elevational view thereof;
FIG. 7 is a top plan view thereof; and,
FIG. 8 is a bottom plan view thereof.
The broken lines in the drawings depict portions of the humidifier that form no part of the claimed design.

1 Claim, 8 Drawing Sheets



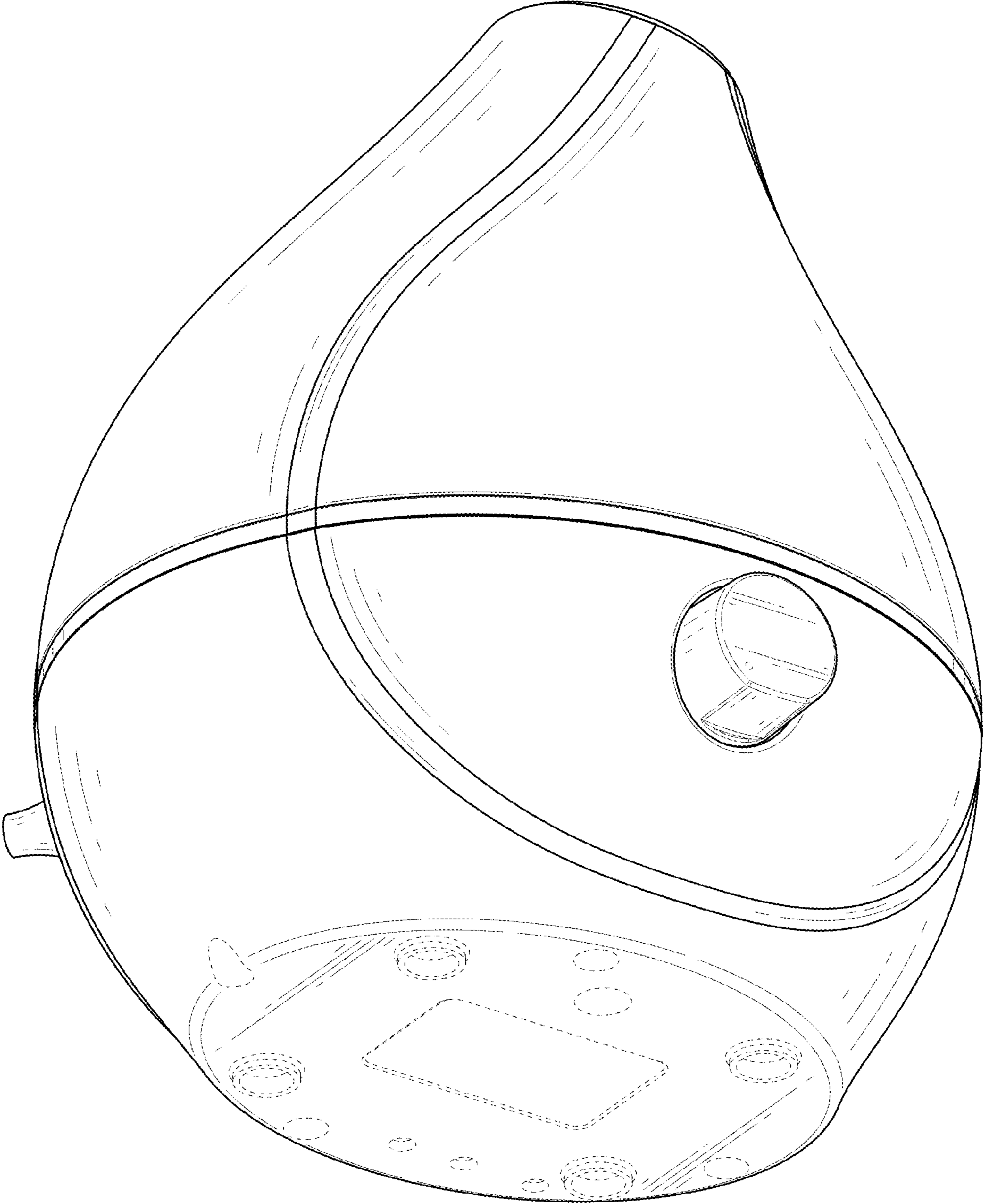


FIG. 1

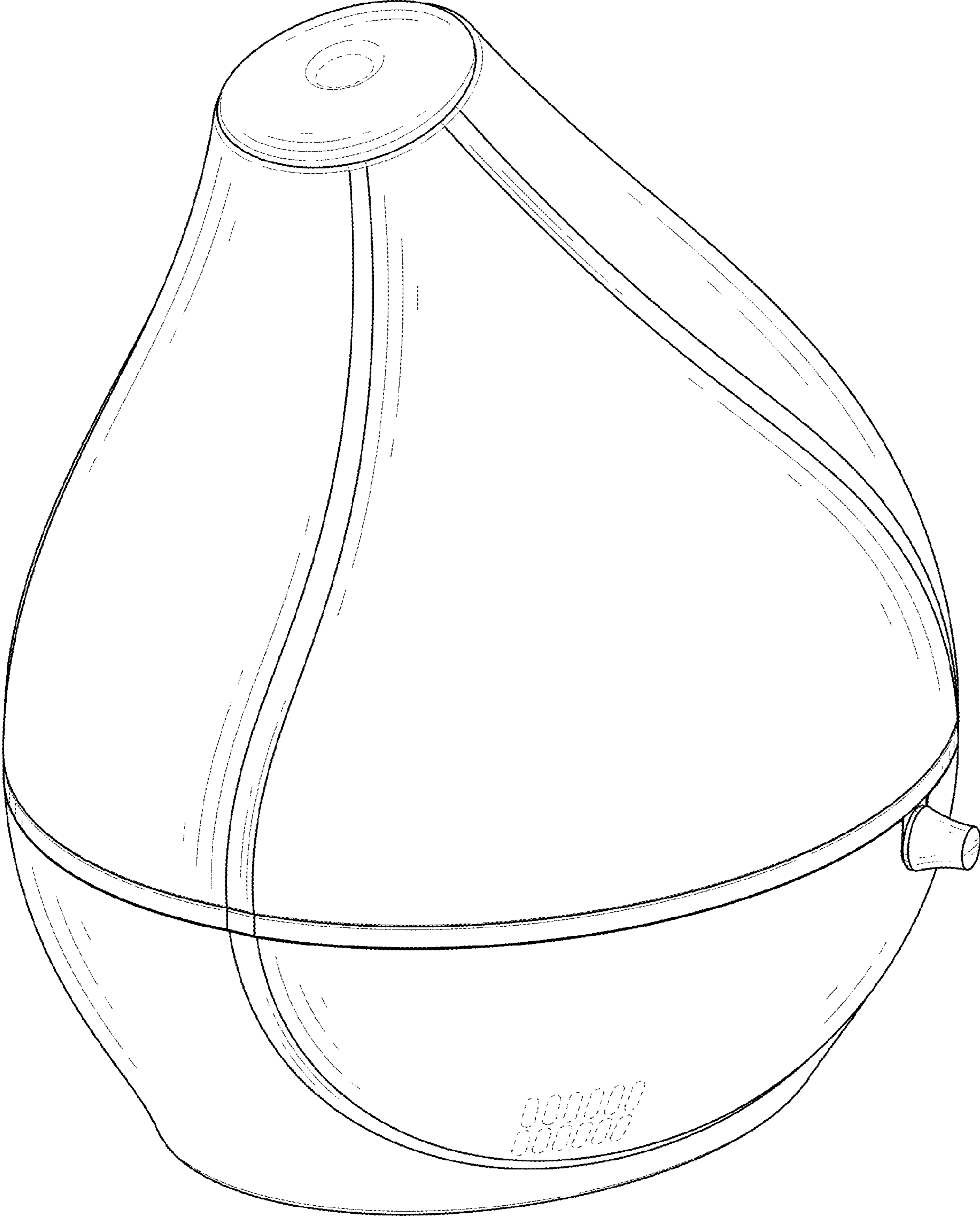


FIG. 2

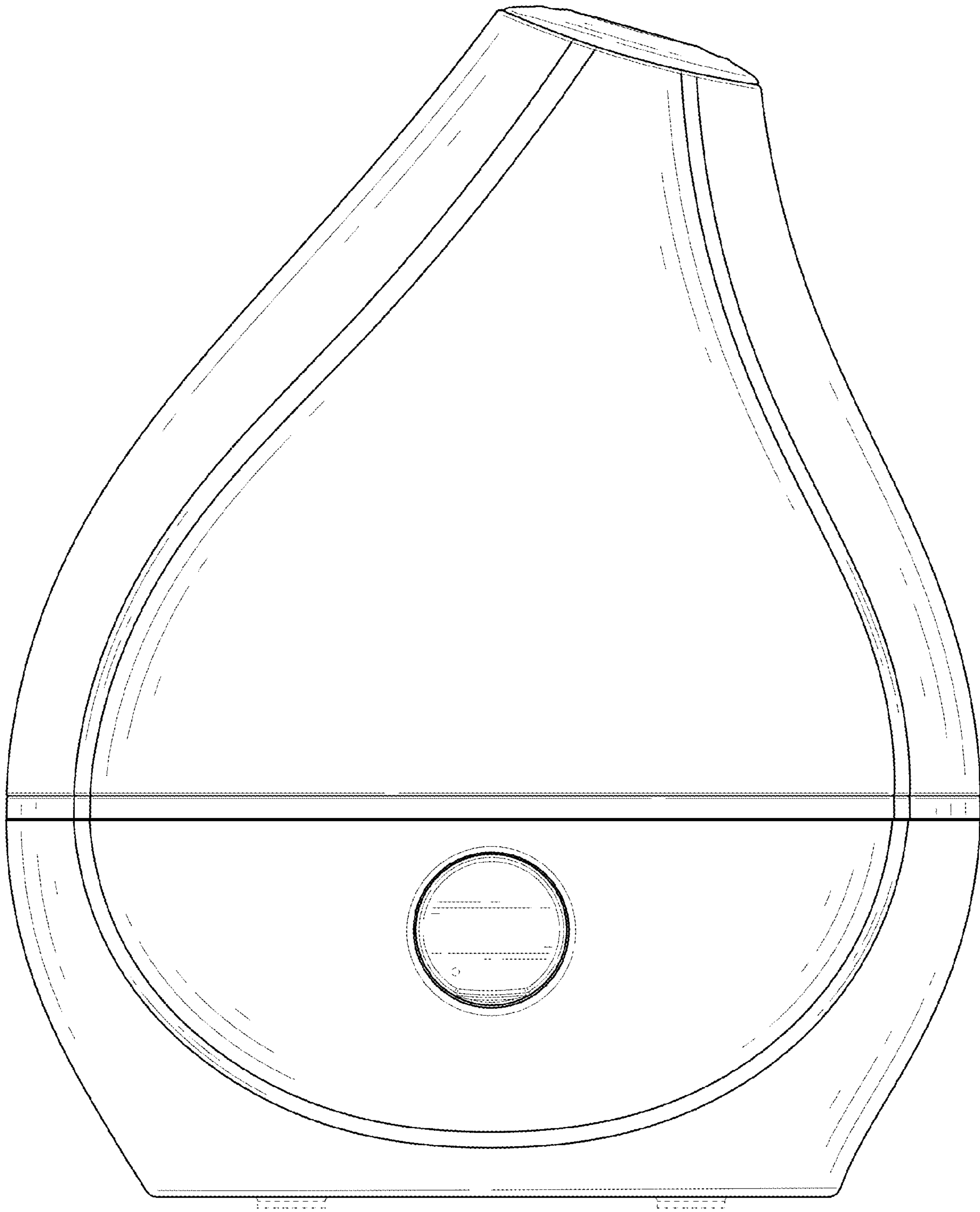


FIG. 3

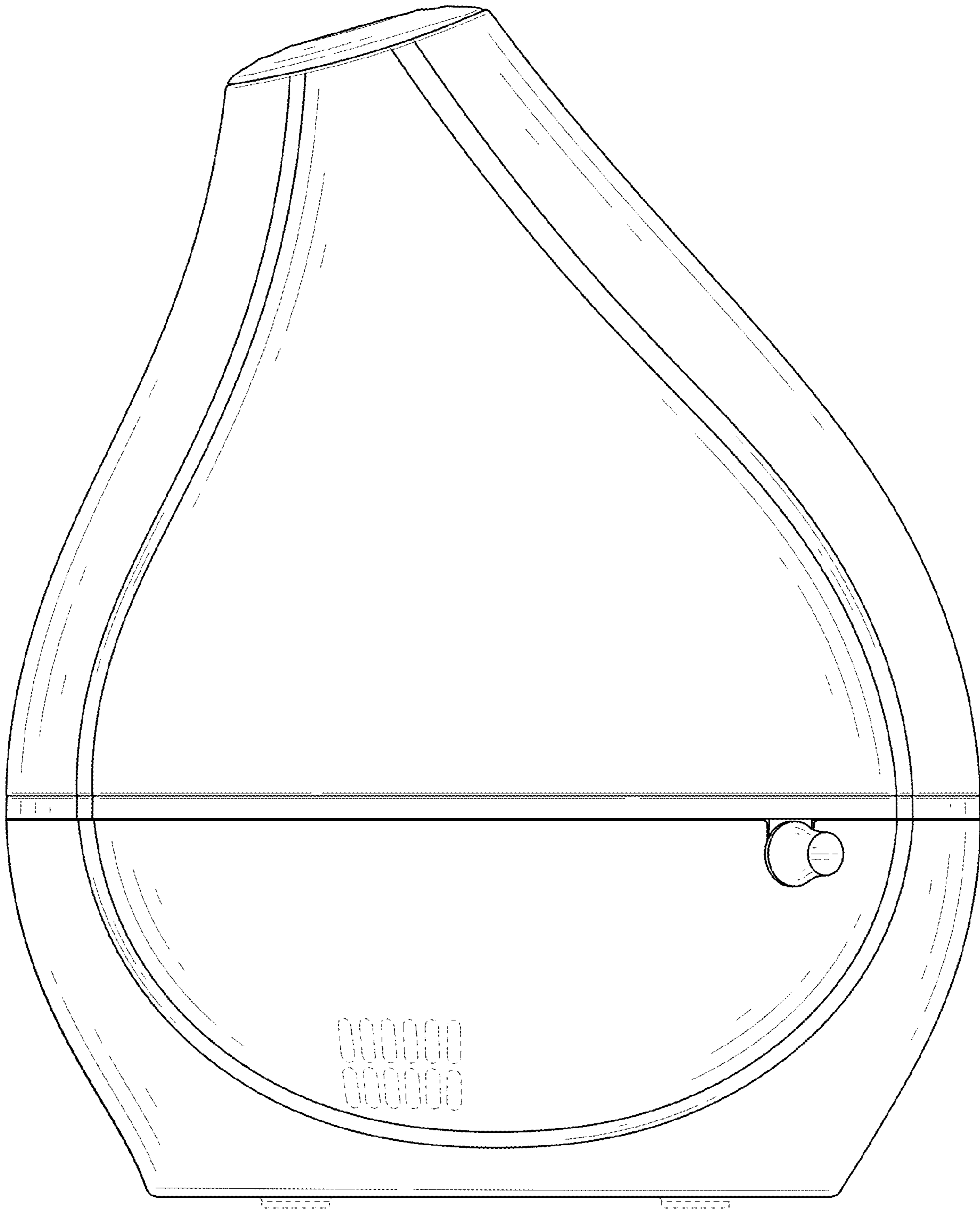


FIG. 4

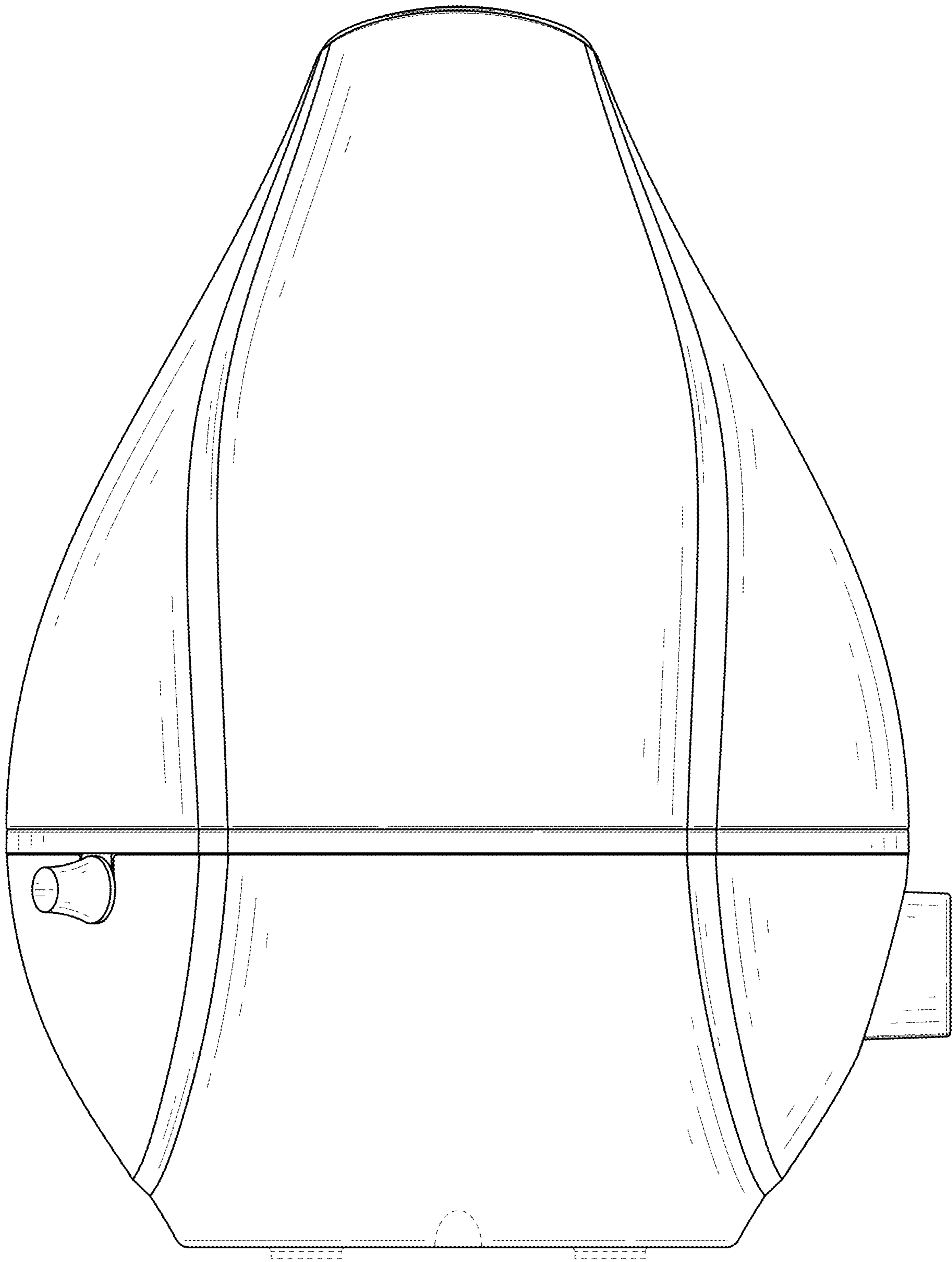


FIG. 5

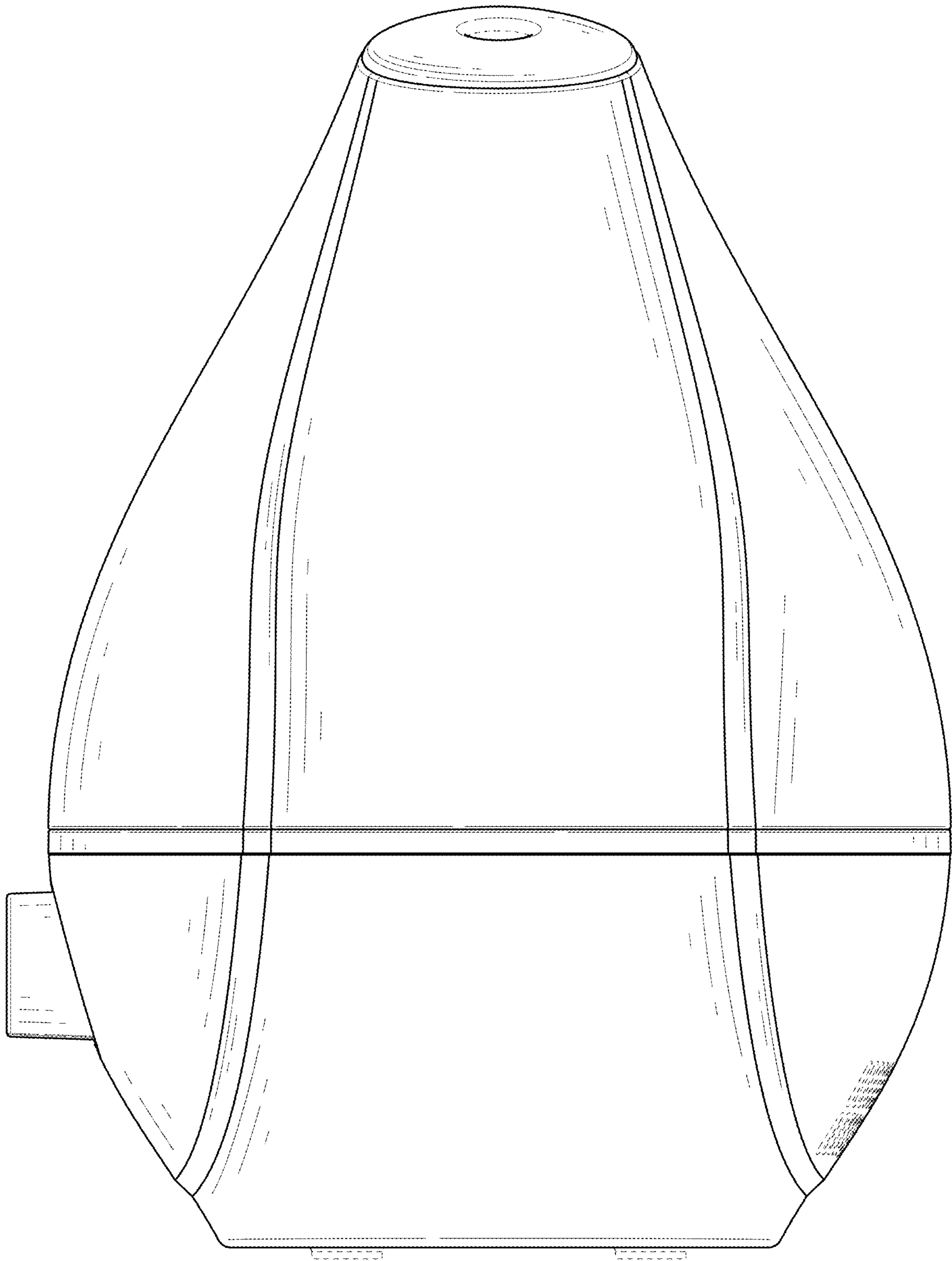


FIG. 6

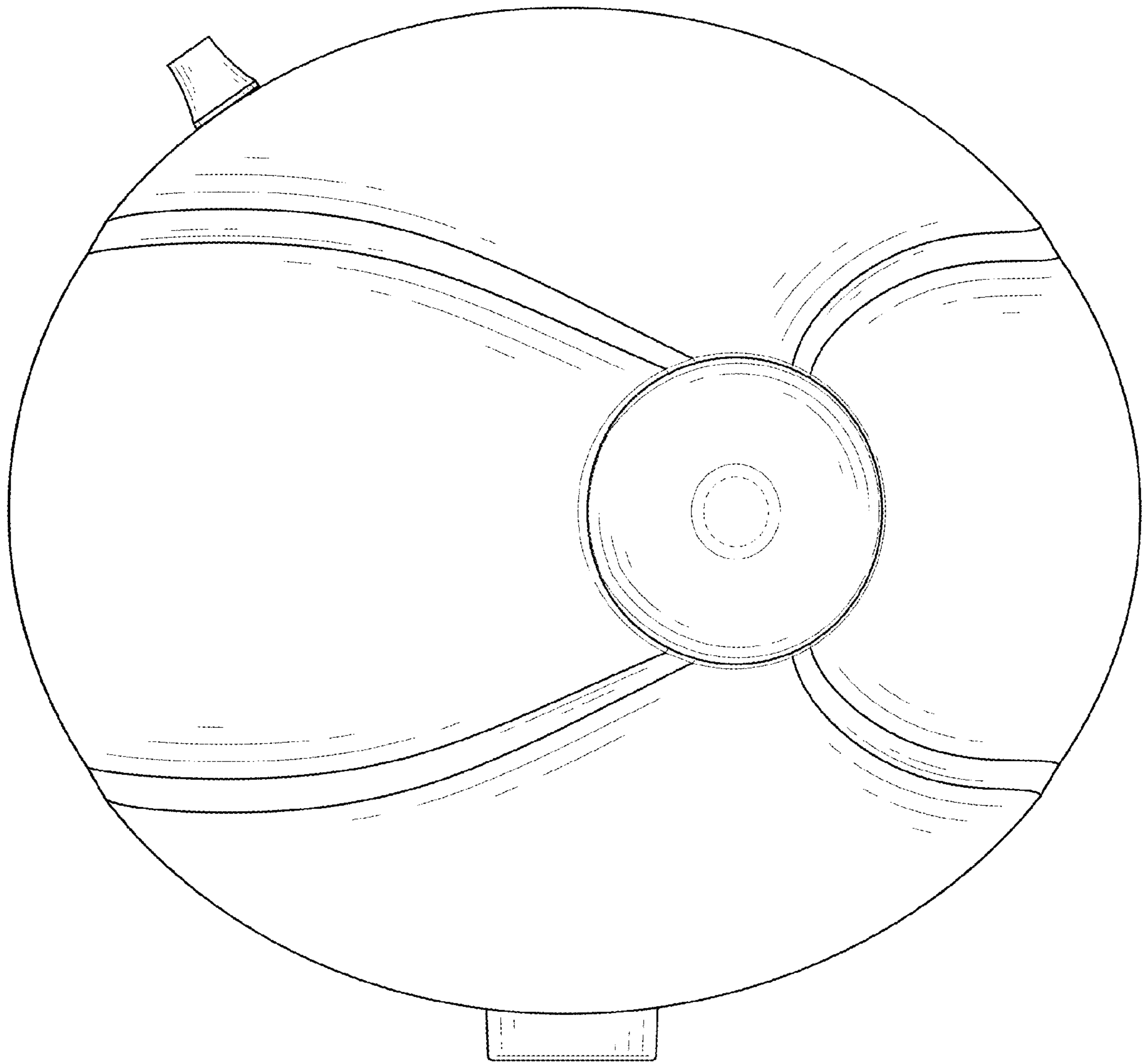


FIG. 7

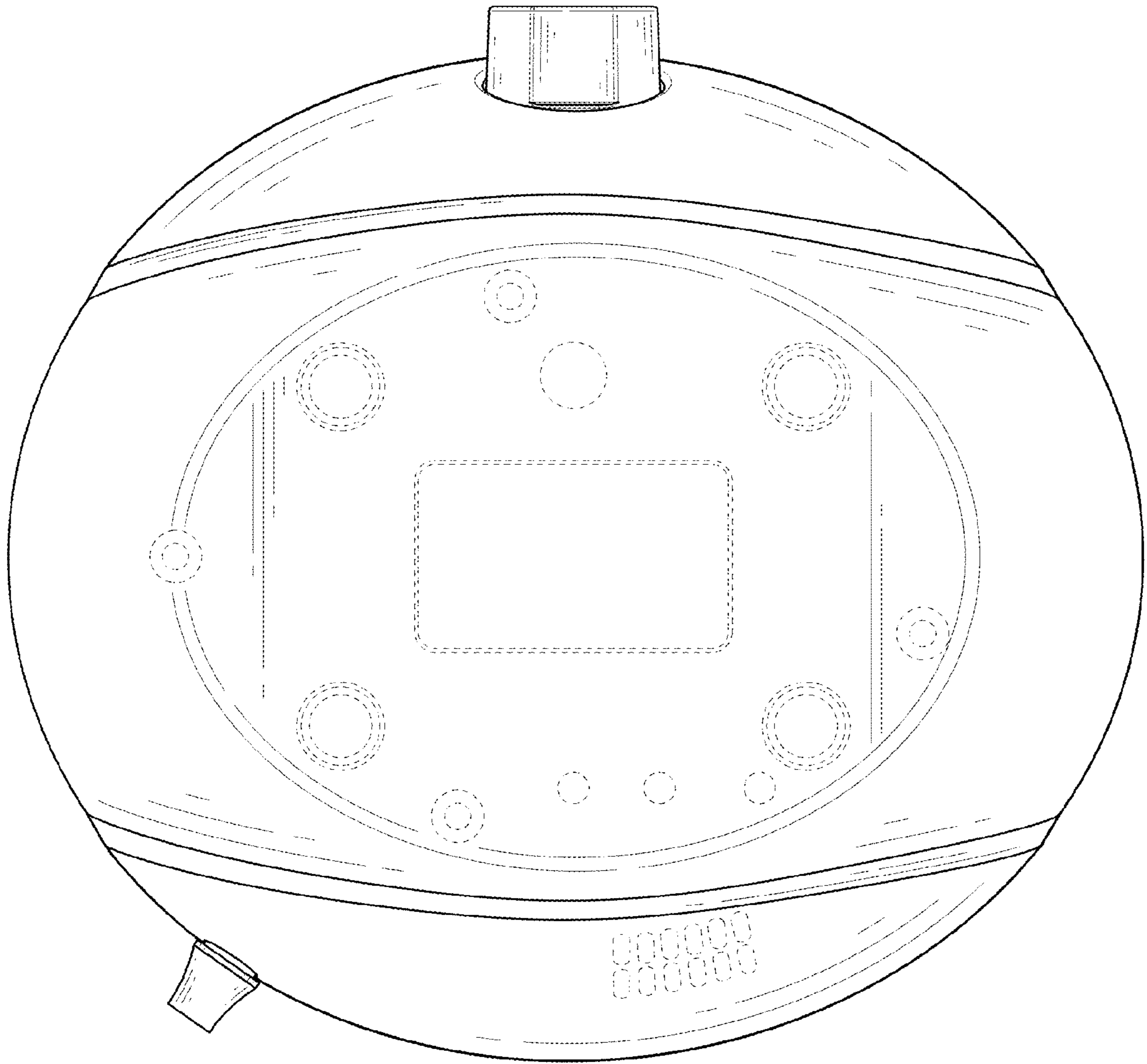


FIG. 8