



US00D897510S

(12) **United States Design Patent** (10) **Patent No.:** **US D897,510 S**
Guan et al. (45) **Date of Patent:** **** Sep. 29, 2020**

(54) **INTELLIGENT TOILET SEAT COVER**

(56) **References Cited**

(71) Applicant: **Zhejiang IKAHE Sanitary Ware Co., Ltd.**, Taizhou (CN)

U.S. PATENT DOCUMENTS

(72) Inventors: **Chenyi Guan**, Taizhou (CN); **Rui Liu**, Taizhou (CN); **Feng Lin**, Taizhou (CN); **Weijian Cai**, Taizhou (CN); **Jinguang Yuan**, Taizhou (CN)

D367,922 S *	3/1996	Kobayashi	D23/311
D594,945 S *	6/2009	Nakasaki	D23/311
D617,883 S *	6/2010	Choi	D23/311
D692,541 S *	10/2013	Hosoi	D23/311
D739,926 S *	9/2015	Inomoto	D23/311
D870,867 S *	12/2019	Xing	D23/311

(73) Assignee: **Zhejiang IKAHE Sanitary Ware Co., Ltd.**, Taizhou (CN)

* cited by examiner

(**) Term: **15 Years**

Primary Examiner — Robert A Delehanty

(21) Appl. No.: **29/741,542**

(74) *Attorney, Agent, or Firm* — IPro, PLLC

(22) Filed: **Jul. 14, 2020**

(57) **CLAIM**

The ornamental design for an intelligent toilet seat cover, as shown and described.

Related U.S. Application Data

(62) Division of application No. 29/714,589, filed on Nov. 25, 2019, now Pat. No. Des. 894,354.

DESCRIPTION

(30) **Foreign Application Priority Data**

May 28, 2019 (CN) 2019 3 02679241

FIG. 1 is a perspective view of an embodiment of an ornamental design for an intelligent toilet seat cover showing our new design;
FIG. 2 is a perspective view showing the intelligent toilet seat cover in an open configuration;
FIG. 3 is a front elevation view thereof;
FIG. 4 is a rear elevation view thereof;
FIG. 5 is a left side elevation view thereof;
FIG. 6 is a right side elevation view thereof;
FIG. 7 is a top plan view thereof; and,
FIG. 8 is a bottom plan view thereof.

(51) **LOC (12) Cl.** **23-02**

(52) **U.S. Cl.**
USPC **D23/311**

The broken lines depict portions of the intelligent toilet seat cover in which the design is embodied that form no part of the claimed design.

(58) **Field of Classification Search**
USPC D23/295, 300-301, 309, 311-312
CPC A47K 13/00; A47K 13/005; A47K 13/02;
A47K 13/04; A47K 13/14; A47K 13/12
See application file for complete search history.

The shade lines in the figures show contour and not surface ornamentation.

1 Claim, 8 Drawing Sheets

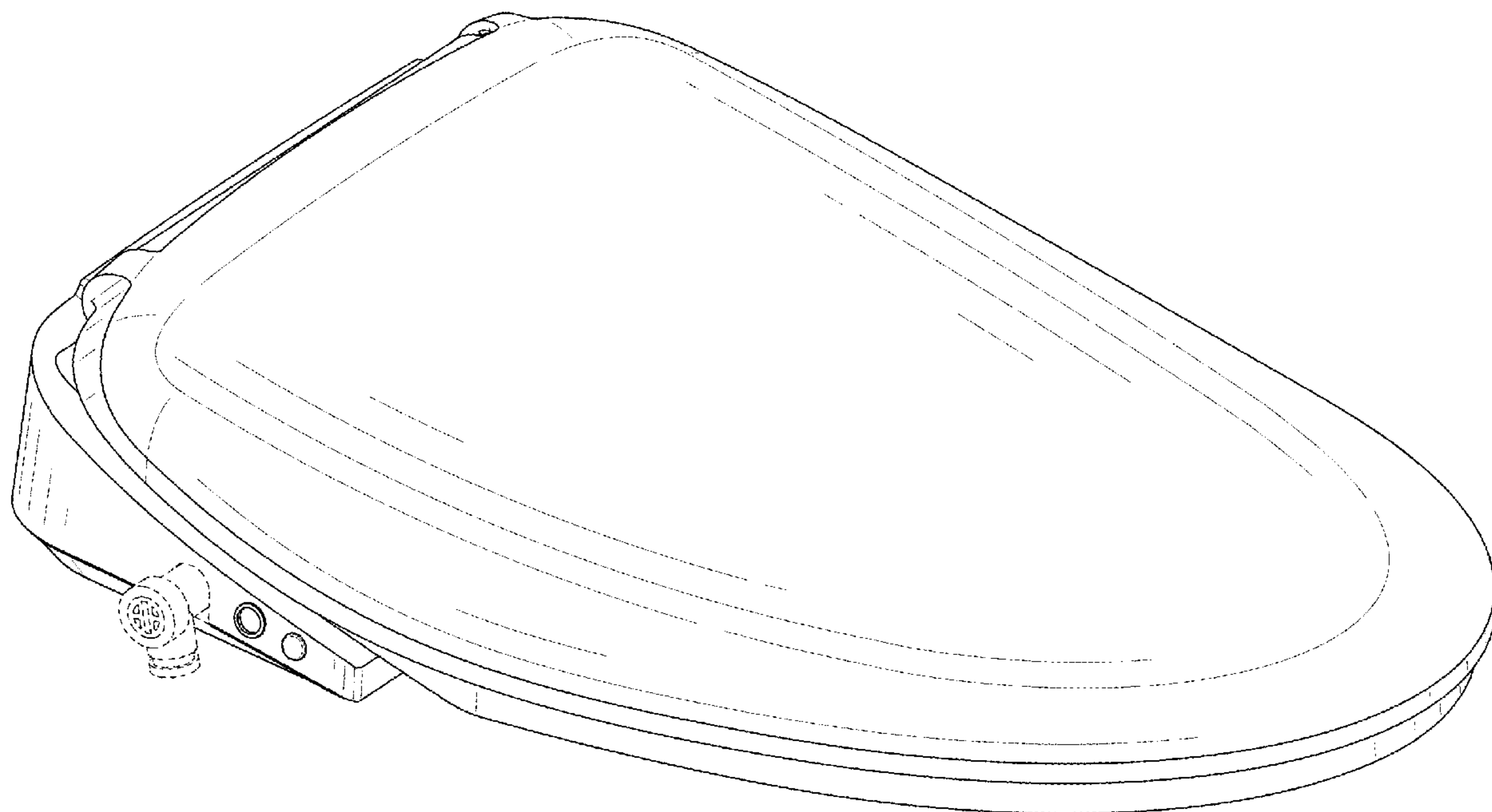




FIG. 1

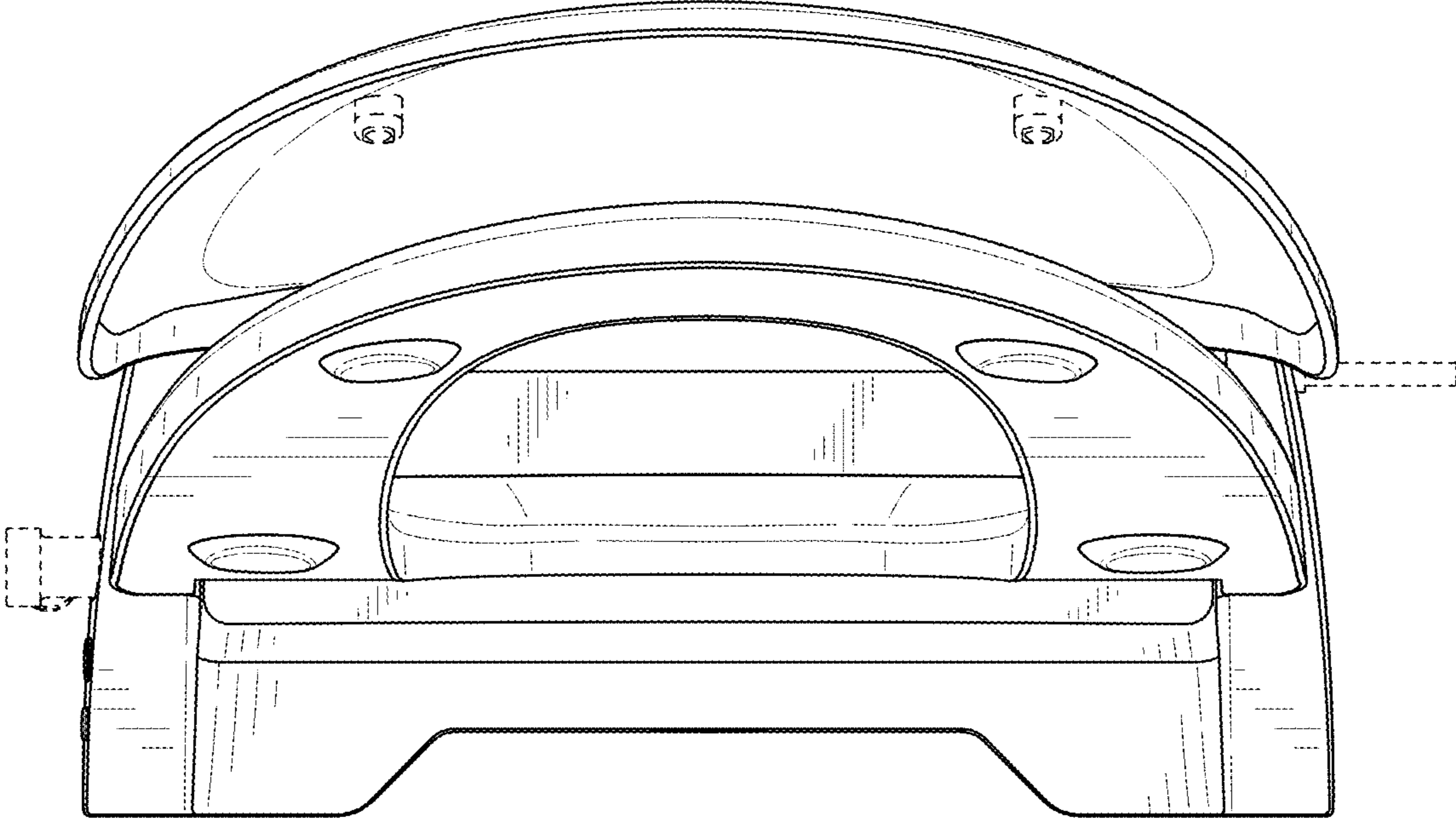


FIG. 2

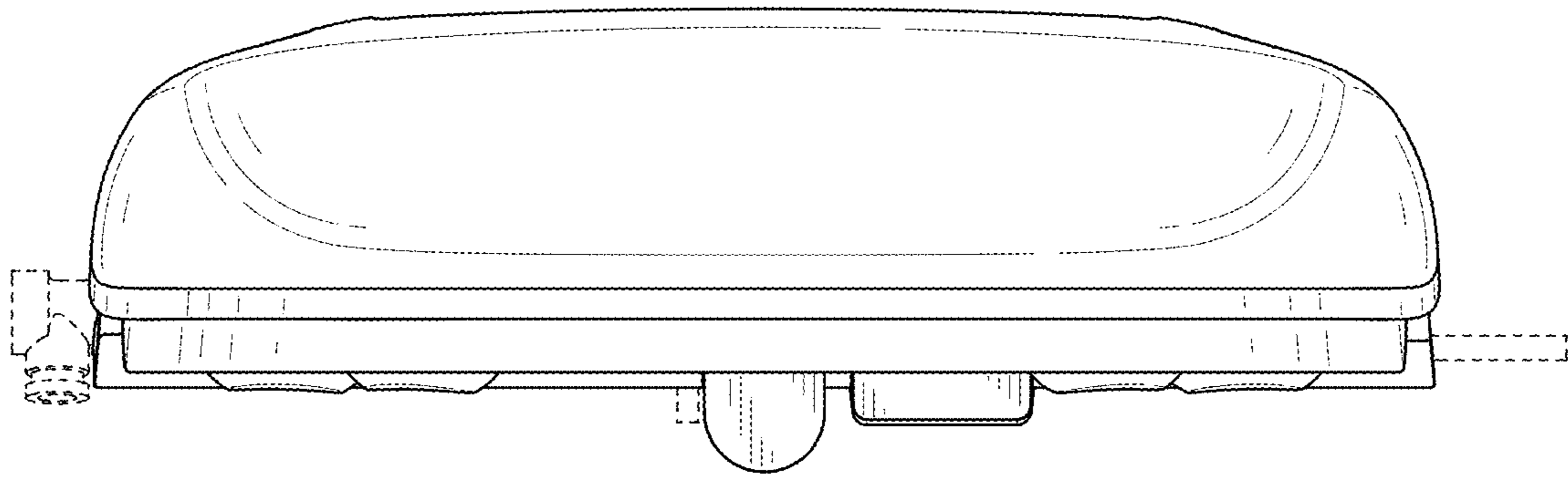


FIG. 3

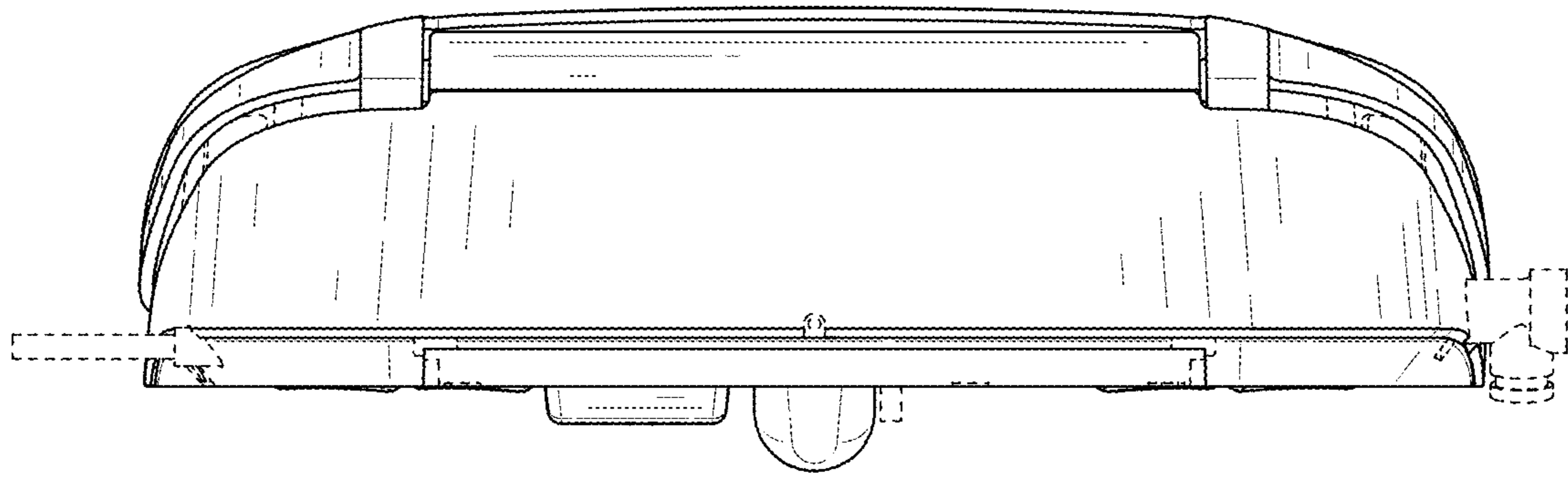


FIG. 4

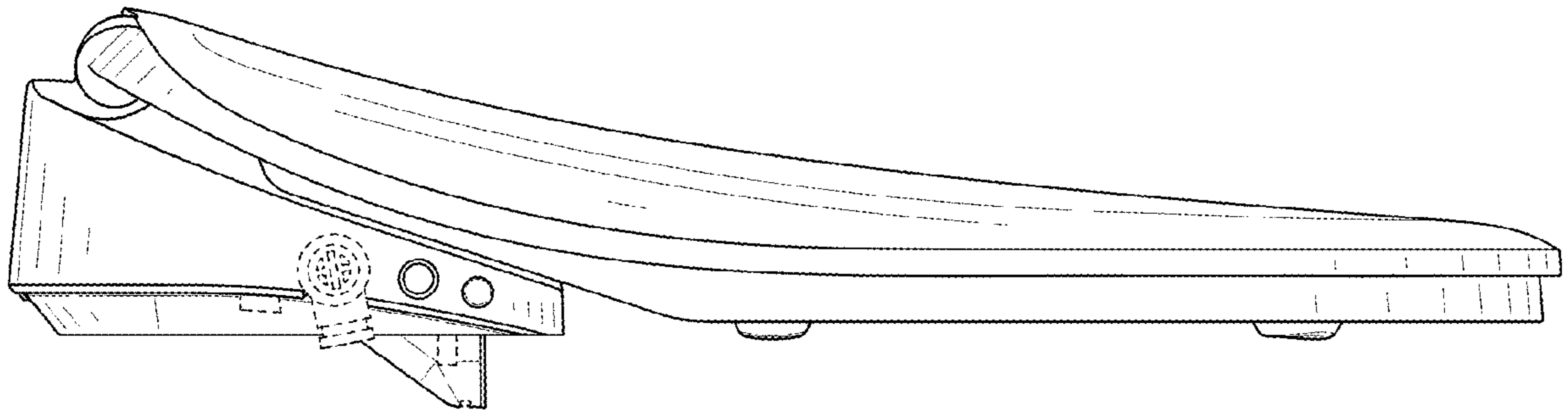


FIG. 5

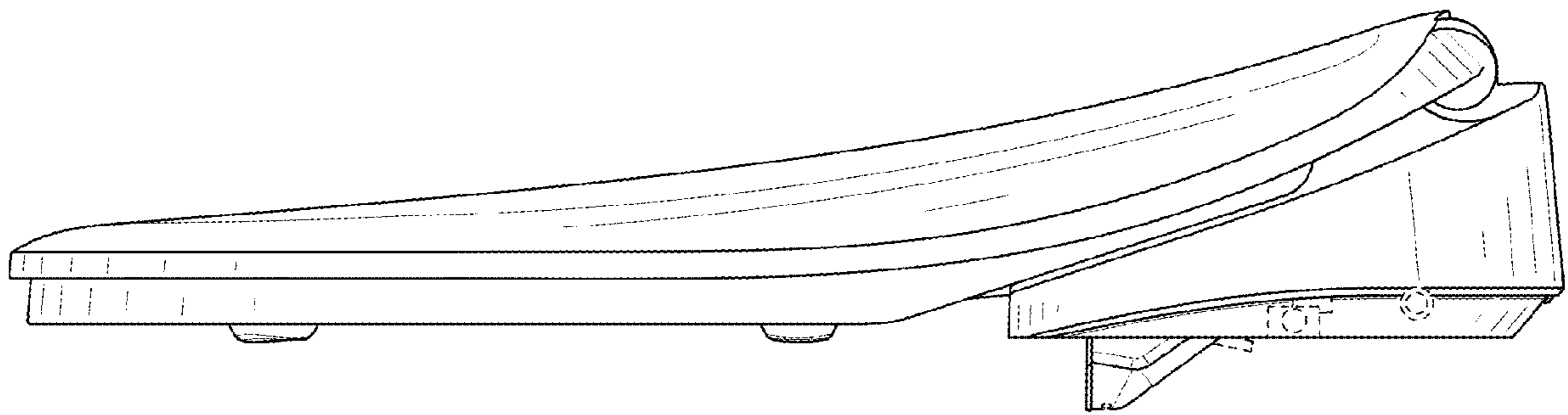


FIG. 6

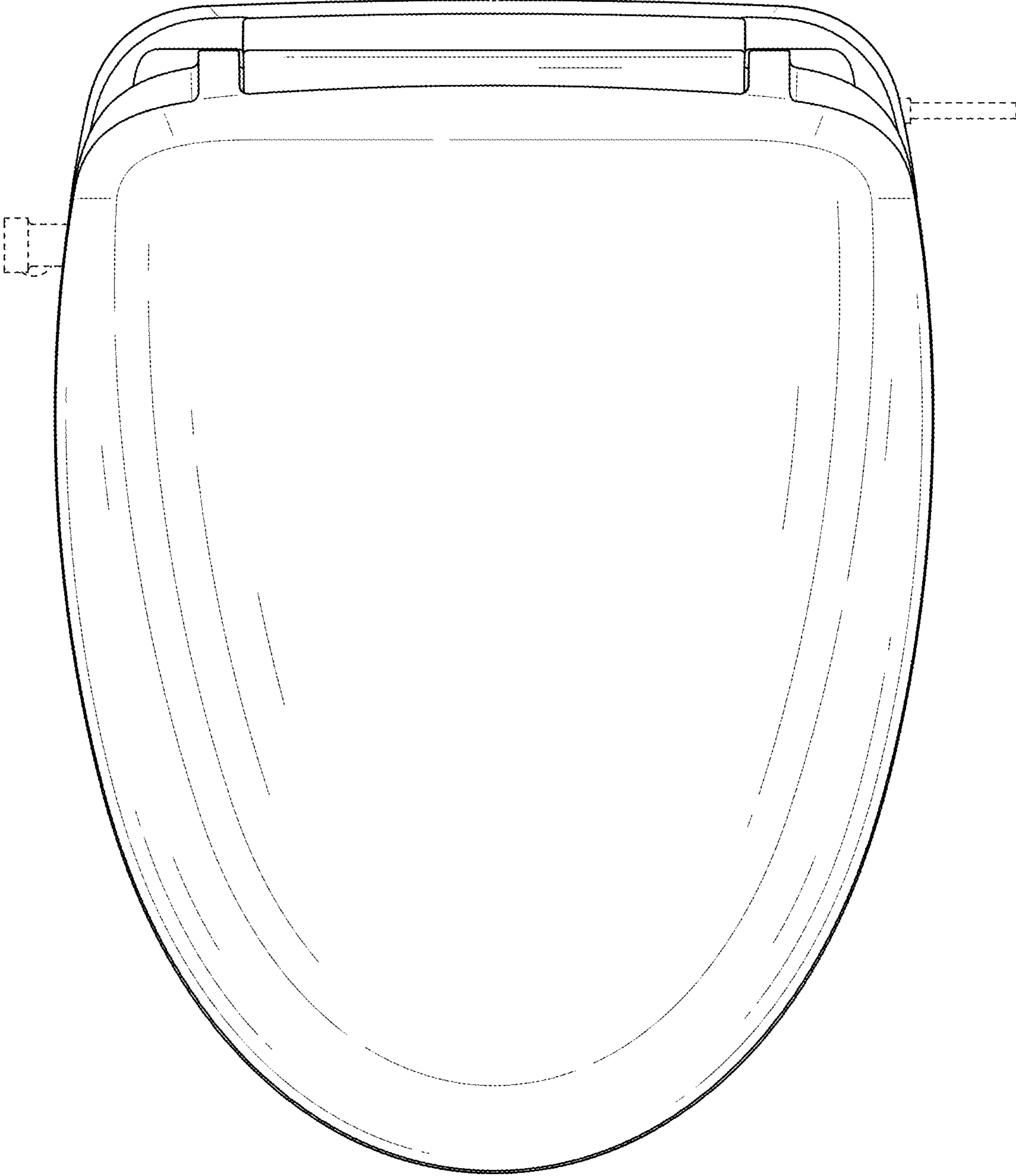


FIG. 7

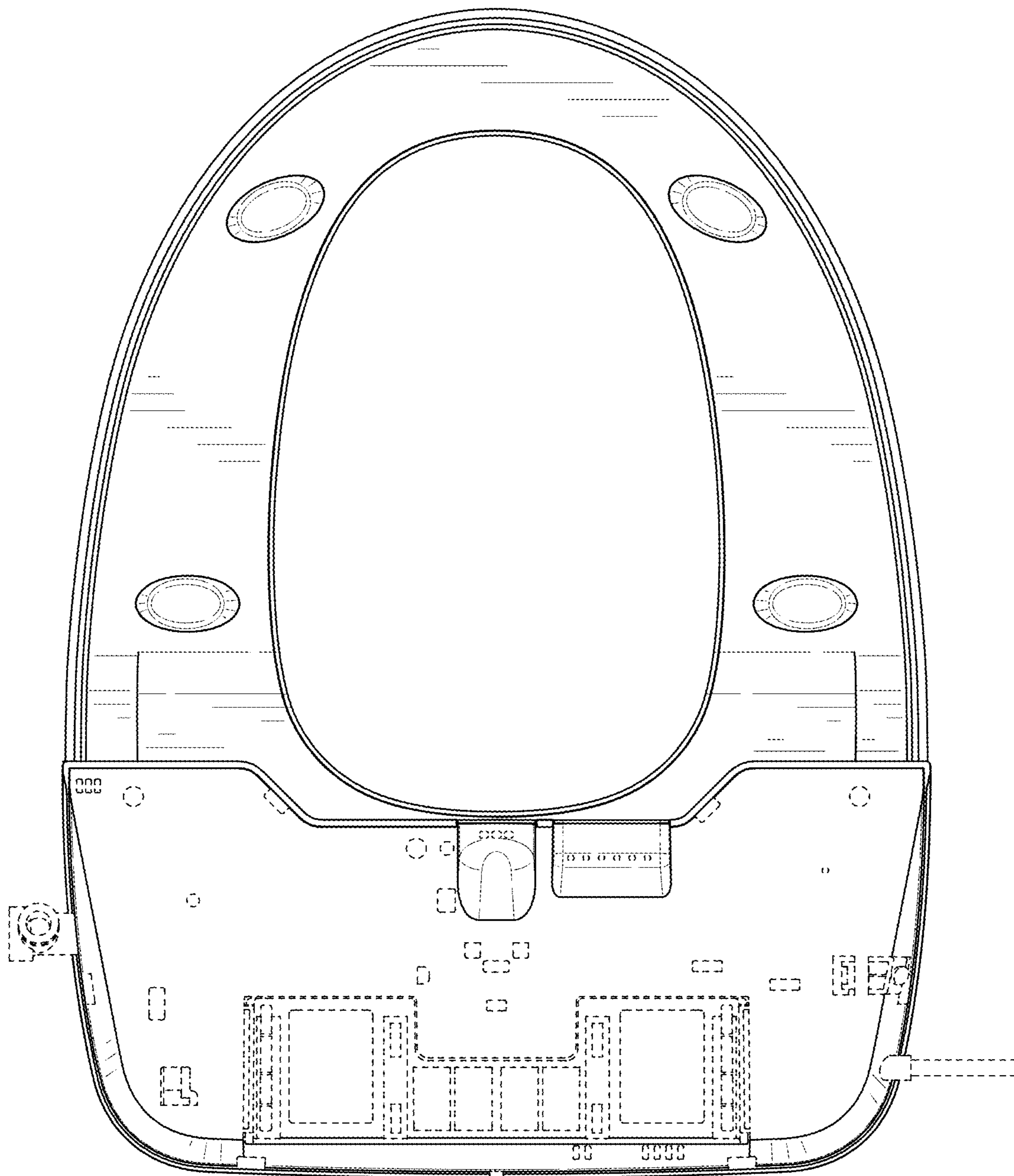


FIG. 8