



US00D897509S

(12) **United States Design Patent** (10) **Patent No.:** **US D897,509 S**
Wang et al. (45) **Date of Patent:** **** Sep. 29, 2020**

- (54) **INTELLIGENT TOILET SEAT COVER**
- (71) Applicant: **Zhejiang IKAHE Sanitary Ware Co., Ltd**, Taizhou (CN)
- (72) Inventors: **Xingyu Wang**, Taizhou (CN); **Chenyi Guan**, Taizhou (CN); **Rui Liu**, Taizhou (CN); **Feng Lin**, Taizhou (CN); **Weijian Cai**, Taizhou (CN); **Jinguang Yuan**, Taizhou (CN)
- (73) Assignee: **Zhejiang IKAHE Sanitary Ware Co., Ltd**, Taizhou (CN)
- (**) Term: **15 Years**
- (21) Appl. No.: **29/741,539**
- (22) Filed: **Jul. 14, 2020**

Related U.S. Application Data

- (62) Division of application No. 29/714,592, filed on Nov. 25, 2019, now Pat. No. Des. 894,355.

(30) **Foreign Application Priority Data**

May 28, 2019 (CN) 2019 3 0267933
 May 28, 2019 (CN) 2019 3 0268613
 May 28, 2019 (CN) 2019 3 0268615

- (51) **LOC (12) Cl.** **23-02**
- (52) **U.S. Cl.**
USPC **D23/311**

- (58) **Field of Classification Search**
USPC D23/295, 300-301, 309, 311-312
CPC A47K 13/00; A47K 13/005; A47K 13/02;
A47K 13/04; A47K 13/14; A47K 13/12
See application file for complete search history.

(56) **References Cited**

U.S. PATENT DOCUMENTS

D367,922 S *	3/1996	Kobayashi	D23/311
D692,541 S *	10/2013	Hosoi	D23/311
D739,926 S *	9/2015	Inomoto	D23/311
D826,387 S *	8/2018	Masuda	D23/311
D844,761 S *	4/2019	Nakabayashi	D23/311
10,448,791 B2 *	10/2019	Takeshita	A47K 13/04
D870,867 S *	12/2019	Xing	D23/311

* cited by examiner

Primary Examiner — Robert A Delehanty

(74) *Attorney, Agent, or Firm* — IPro, PLLC

(57) **CLAIM**

The ornamental design for an intelligent toilet seat cover, as shown and described.

DESCRIPTION

FIG. 1 is a view of an embodiment of an ornamental design for an intelligent toilet seat cover showing our new design; FIG. 2 is a perspective view viewed from another angle thereof;

FIG. 3 is a front elevation view thereof;

FIG. 4 is a rear elevation view thereof;

FIG. 5 is a left side elevation view thereof;

FIG. 6 is a right side elevation view thereof;

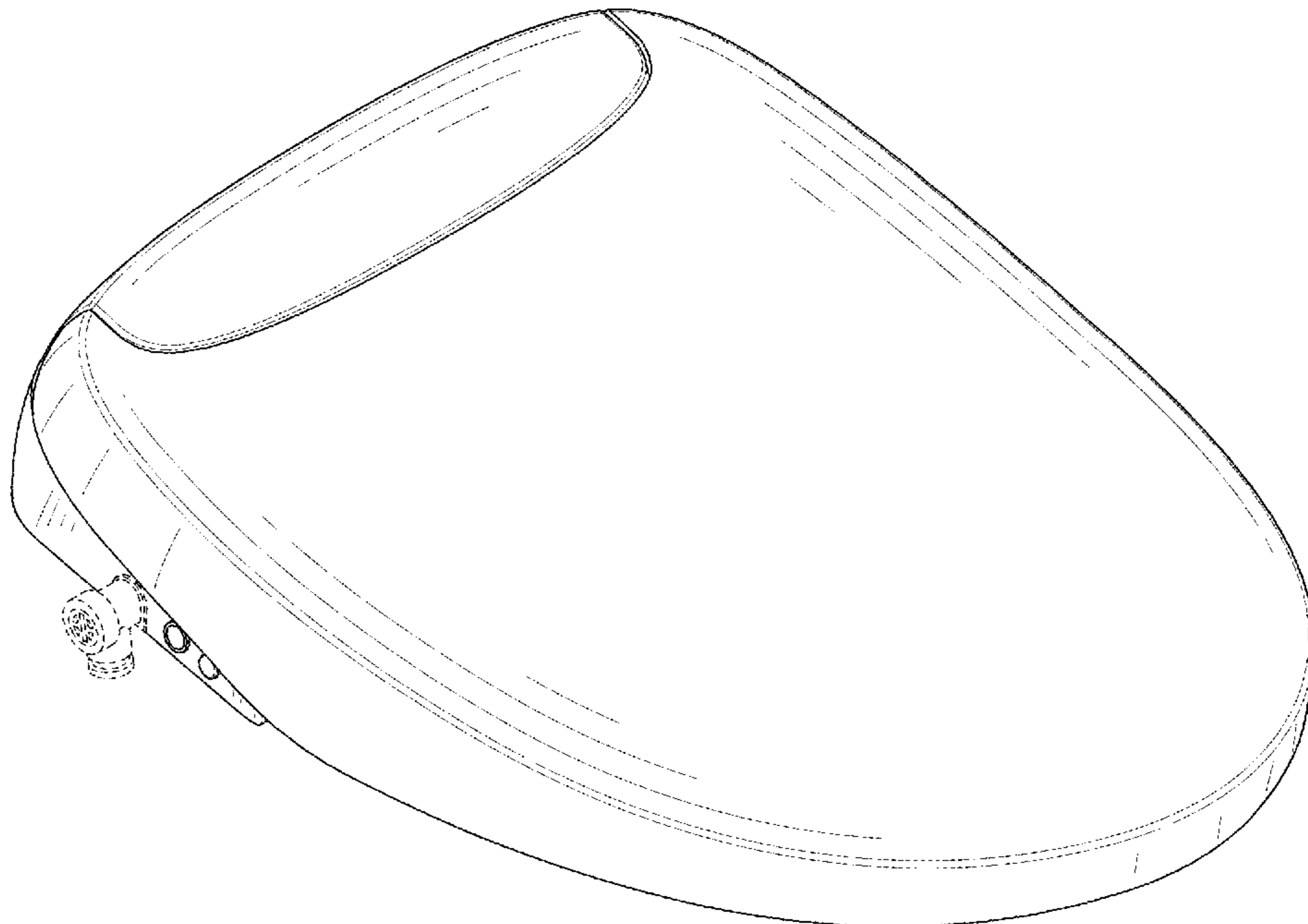
FIG. 7 is a top plan view thereof; and,

FIG. 8 is a bottom plan view thereof.

The broken lines depict portions of the intelligent toilet seat cover in which the design is embodied that form no part of the claimed design.

The shade lines in the figures show contour and not surface ornamentation.

1 Claim, 8 Drawing Sheets



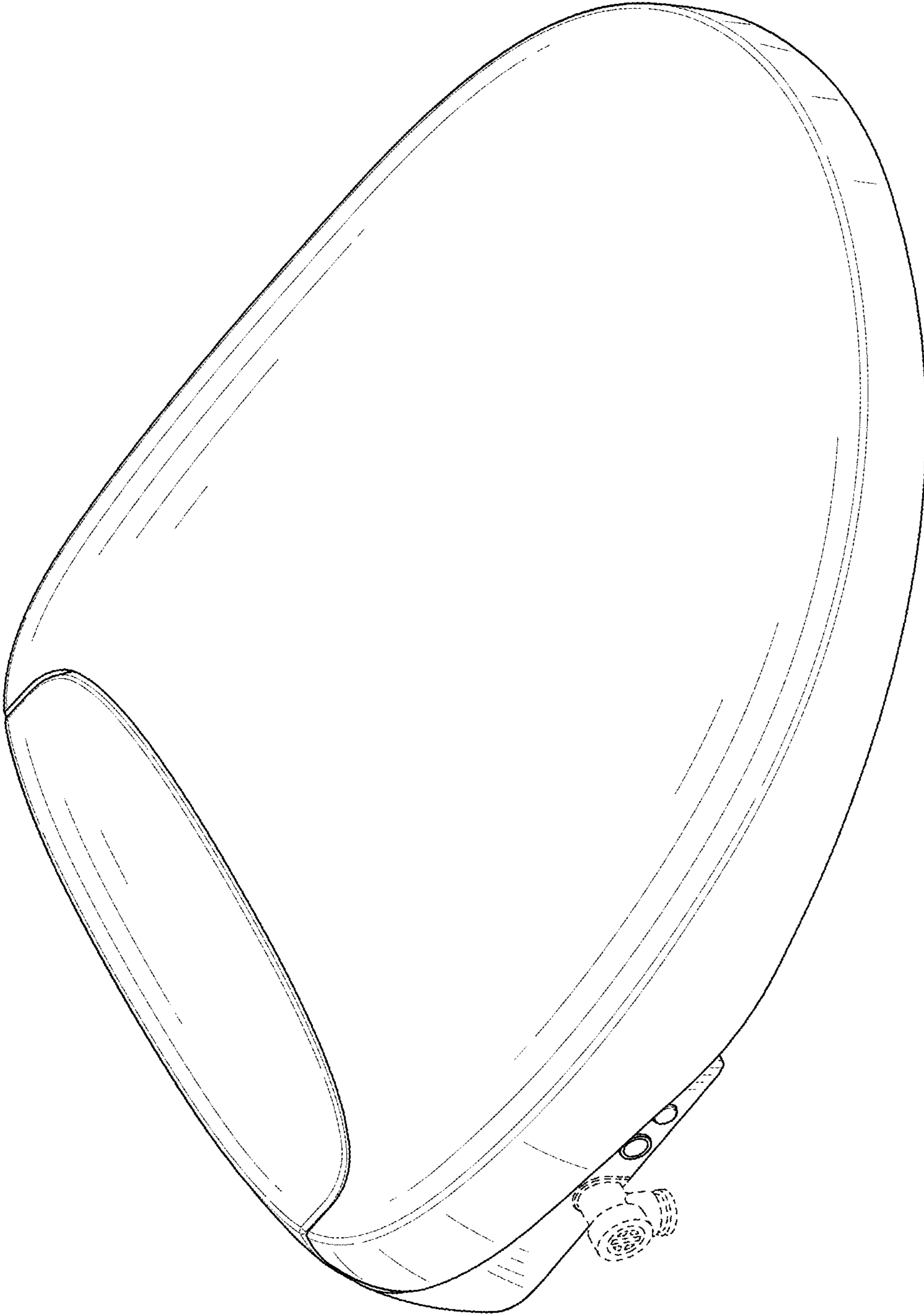


FIG. 1

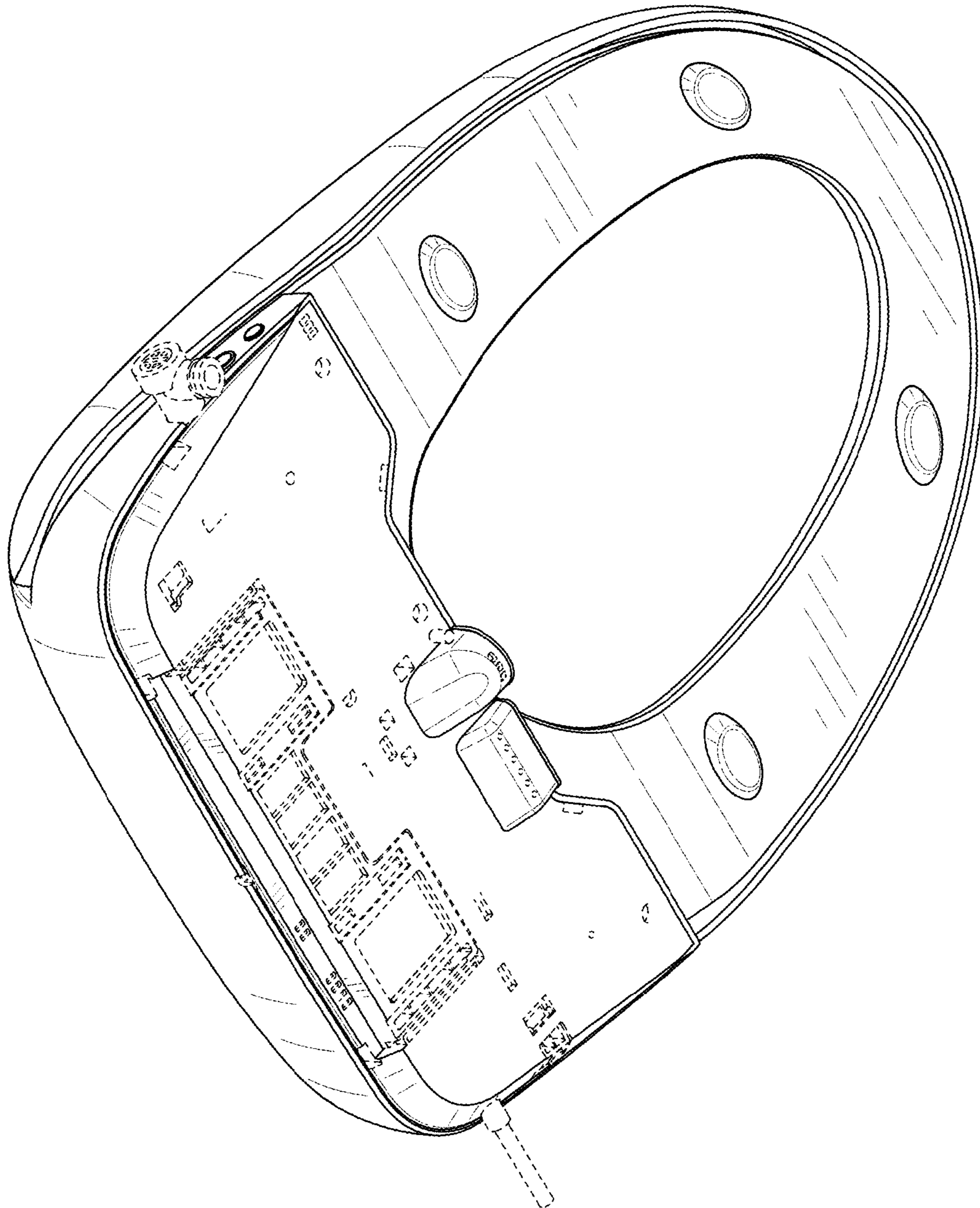


FIG. 2

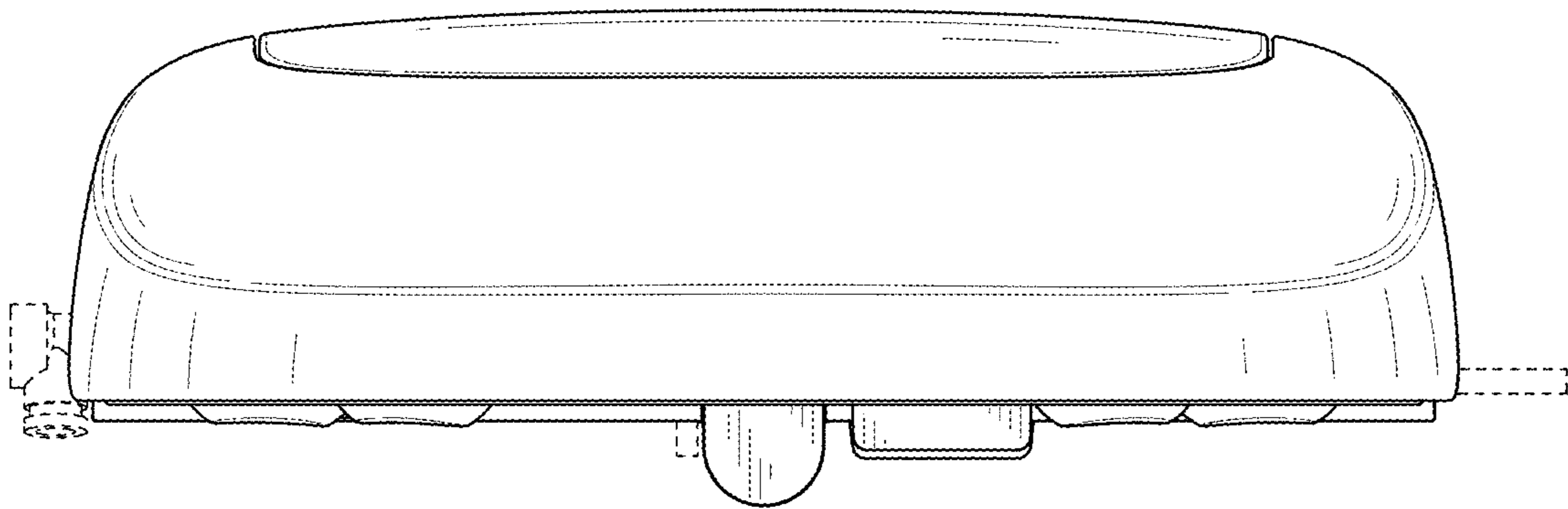


FIG. 3

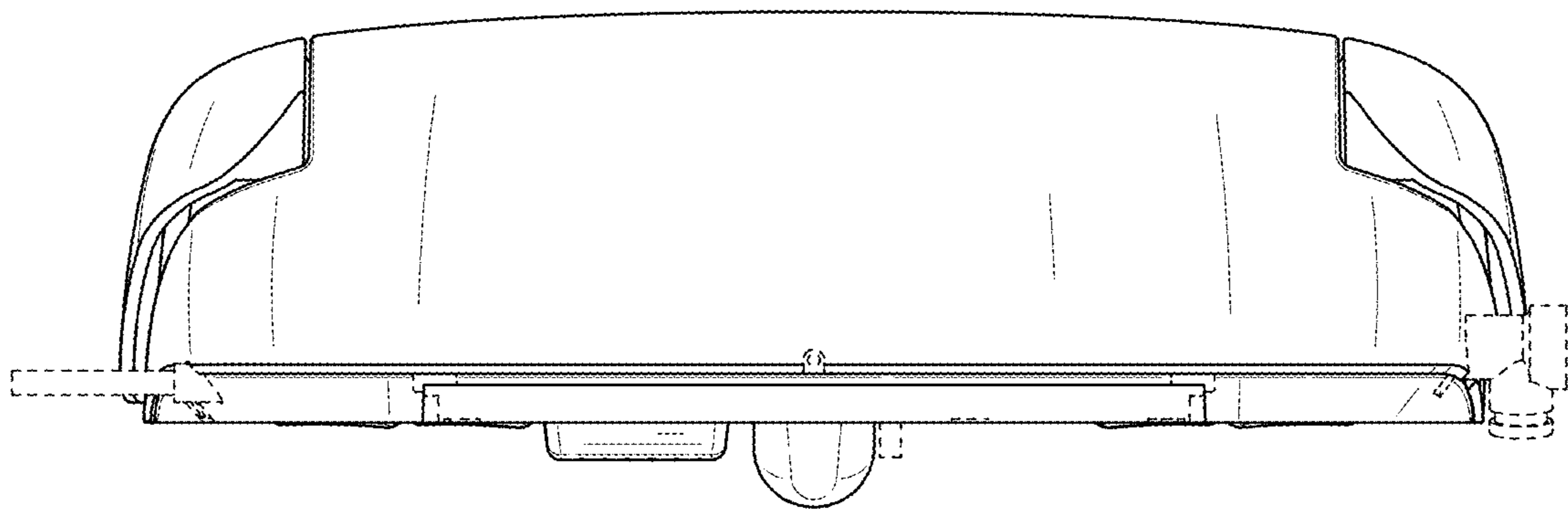


FIG. 4

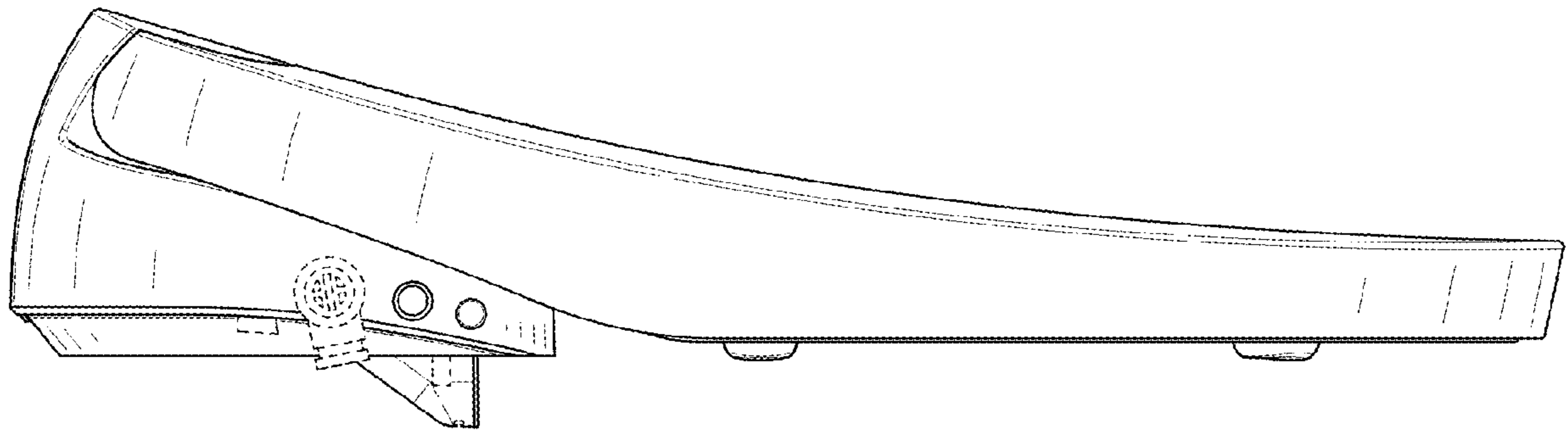


FIG. 5

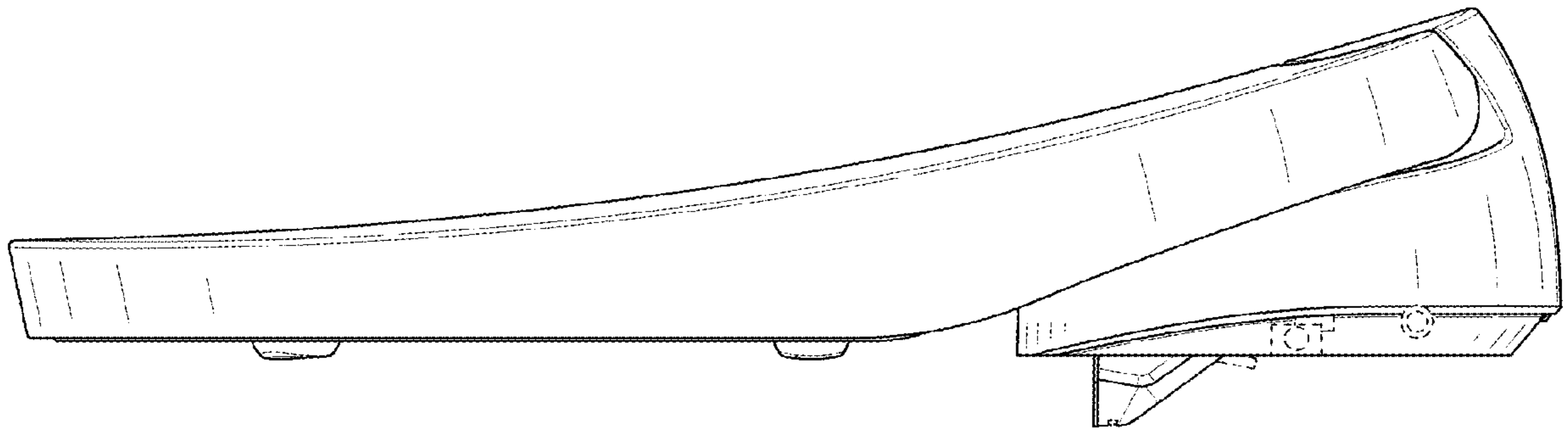


FIG. 6

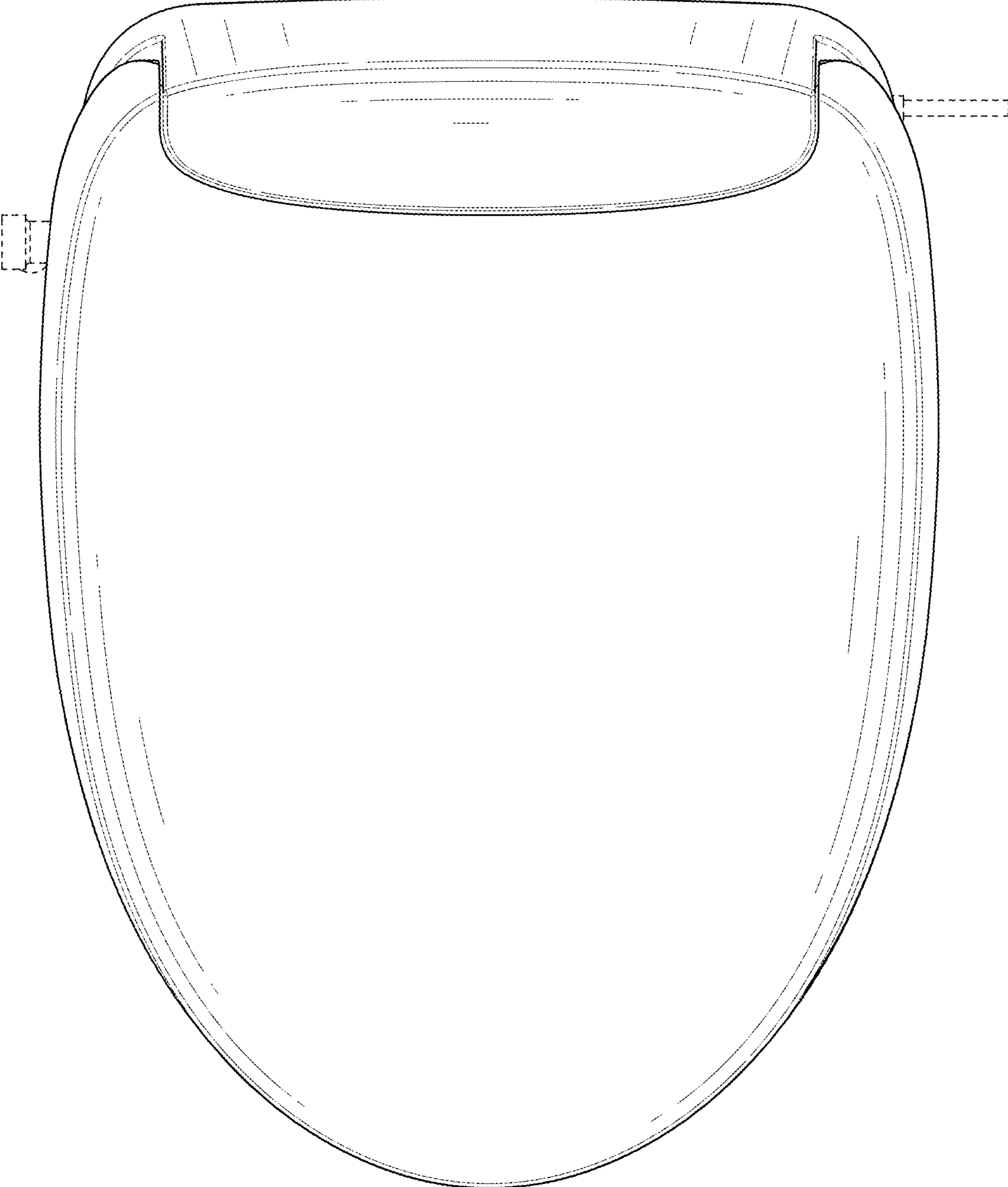


FIG. 7

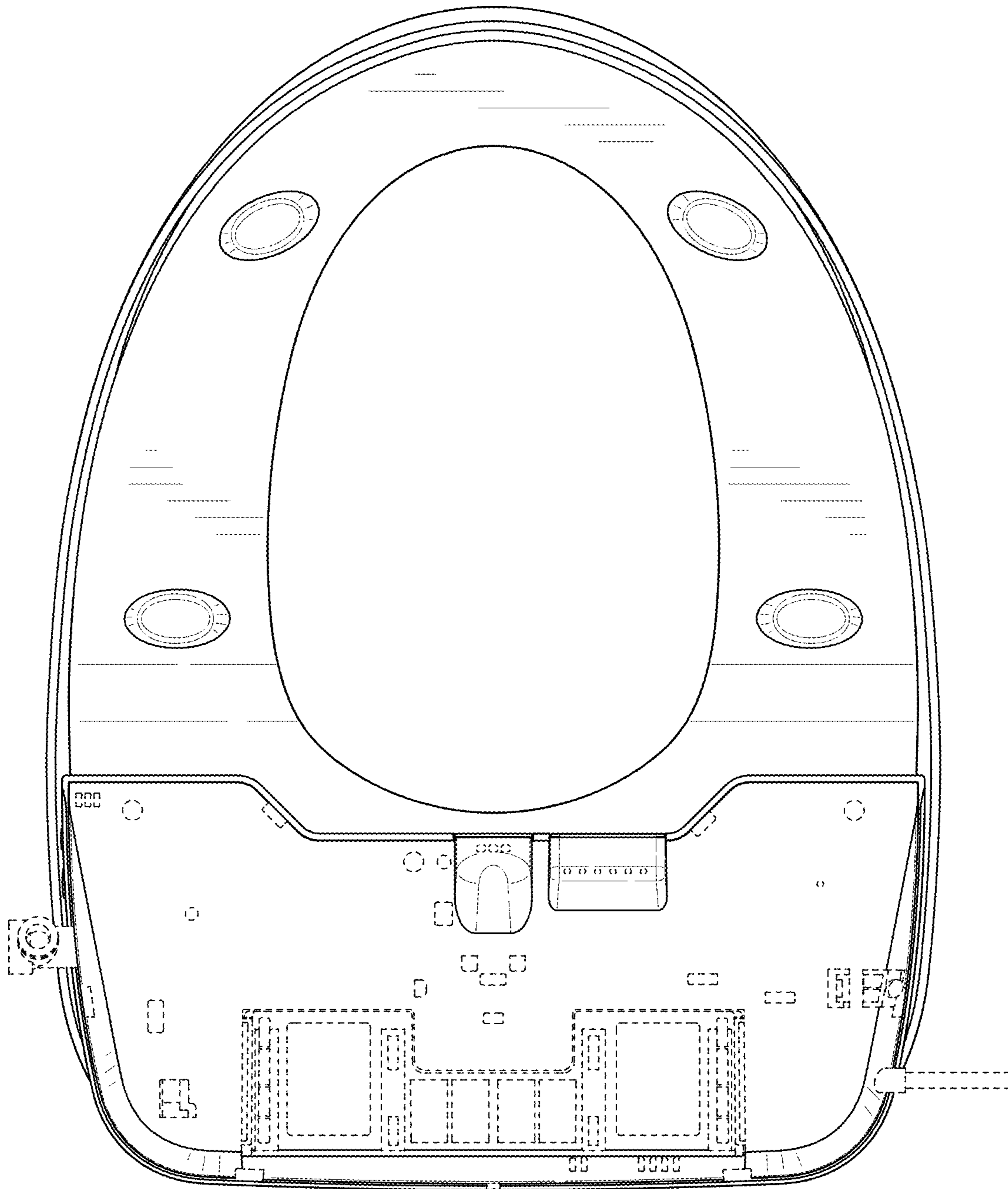


FIG. 8