



US00D897508S

(12) **United States Design Patent** (10) **Patent No.:** **US D897,508 S**
Wang et al. (45) **Date of Patent:** **** Sep. 29, 2020**

(54) **INTELLIGENT TOILET SEAT COVER**

CPC A47K 13/00; A47K 13/005; A47K 13/02;
A47K 13/04; A47K 13/14; A47K 13/12
See application file for complete search history.

(71) Applicant: **Zhejiang IKAHE Sanitary Ware Co., Ltd**, Taizhou (CN)

(56) **References Cited**

(72) Inventors: **Xingyu Wang**, Taizhou (CN); **Chenyi Guan**, Taizhou (CN); **Rui Liu**, Taizhou (CN); **Feng Lin**, Taizhou (CN); **Weijian Cai**, Taizhou (CN); **Jinguang Yuan**, Taizhou (CN)

U.S. PATENT DOCUMENTS

D367,922 S * 3/1996 Kobayashi D23/311
D692,541 S * 10/2013 Hosoi D23/311
D739,926 S * 9/2015 Inomoto D23/311
D826,387 S * 8/2018 Masuda D23/311

(Continued)

Primary Examiner — Robert A Delehanty
(74) *Attorney, Agent, or Firm* — IPro, PLLC

(73) Assignee: **ZHEJIANG IKAHE SANITARY WARE CO., LTD**, Taizhou (CN)

(57) **CLAIM**

(**) Term: **15 Years**

The ornamental design for an intelligent toilet seat cover, as shown and described.

(21) Appl. No.: **29/741,537**

DESCRIPTION

(22) Filed: **Jul. 14, 2020**

FIG. 1 is a view of an embodiment of an ornamental design for an intelligent toilet seat cover showing our new design; FIG. 2 is a perspective view viewed from another angle thereof; FIG. 3 is a front elevation view thereof; FIG. 4 is a rear elevation view thereof; FIG. 5 is a left side elevation view thereof; FIG. 6 is a right side elevation view thereof; FIG. 7 is a top plan view thereof; FIG. 8 is a bottom plan view thereof; FIG. 9 is a view of an alternative embodiment of an ornamental design for an intelligent toilet seat cover showing our new design; FIG. 10 is a perspective view viewed from another angle thereof; FIG. 11 is a front elevation view thereof; FIG. 12 is a rear elevation view thereof; FIG. 13 is a left side elevation view thereof; FIG. 14 is a right side elevation view thereof; FIG. 15 is a top plan view thereof; and, FIG. 16 is a bottom plan view thereof.

Related U.S. Application Data

(62) Division of application No. 29/714,592, filed on Nov. 25, 2019, now Pat. No. Des. 894,355.

Foreign Application Priority Data

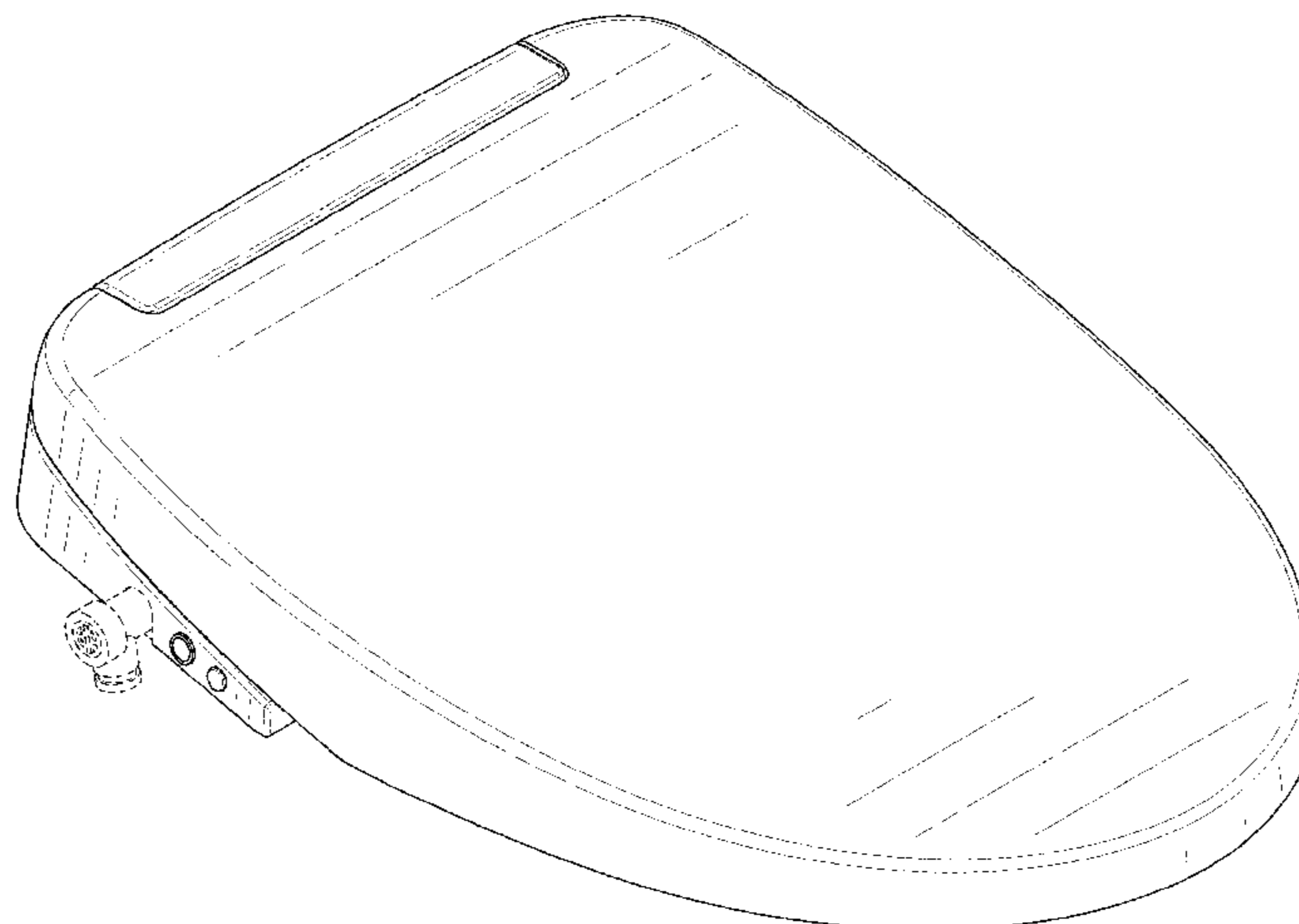
May 28, 2019 (CN) 2019 3 0267933
May 28, 2019 (CN) 2019 3 0268613
May 28, 2019 (CN) 2019 3 0268615

(51) **LOC (12) Cl.** **23-02**

(52) **U.S. Cl.**
USPC **D23/311**

(58) **Field of Classification Search**
USPC D23/295, 300–301, 309, 311–312

(Continued)



The broken lines depict portions of the intelligent toilet seat cover in which the design is embodied that form no part of the claimed design.

The shade lines in the figures show contour and not surface ornamentation.

1 Claim, 16 Drawing Sheets

(56)

References Cited

U.S. PATENT DOCUMENTS

D844,761 S * 4/2019 Nakabayashi D23/311
10,448,791 B2 * 10/2019 Takeshita A47K 13/04
D870,867 S * 12/2019 Xing D23/311

* cited by examiner

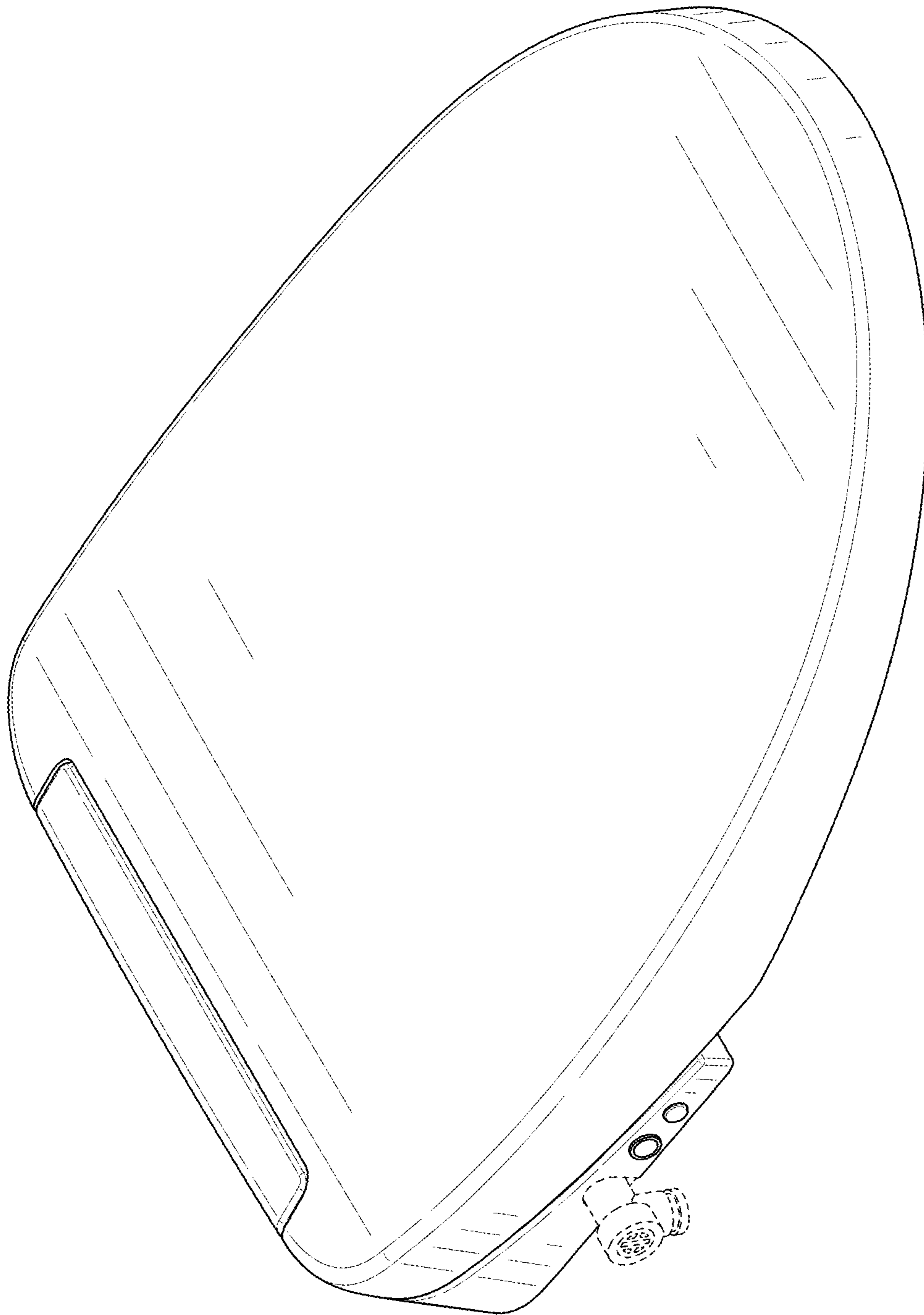


FIG. 1

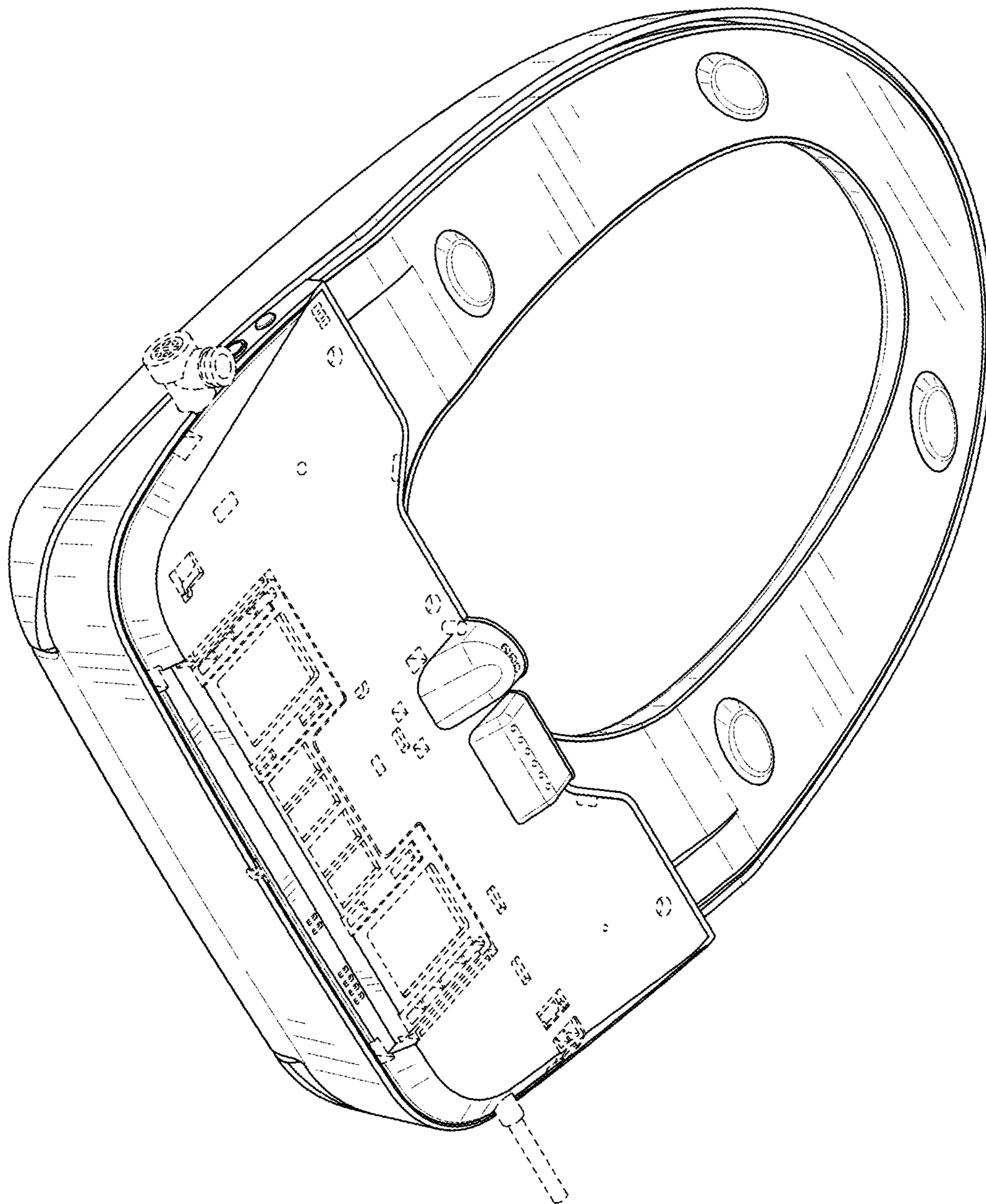


FIG. 2

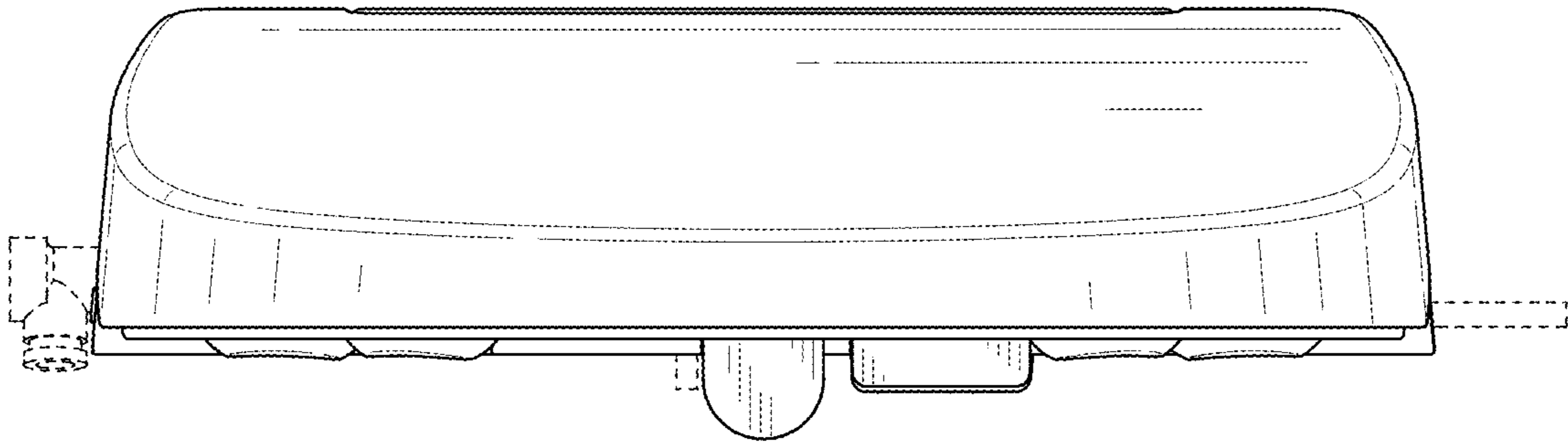


FIG. 3

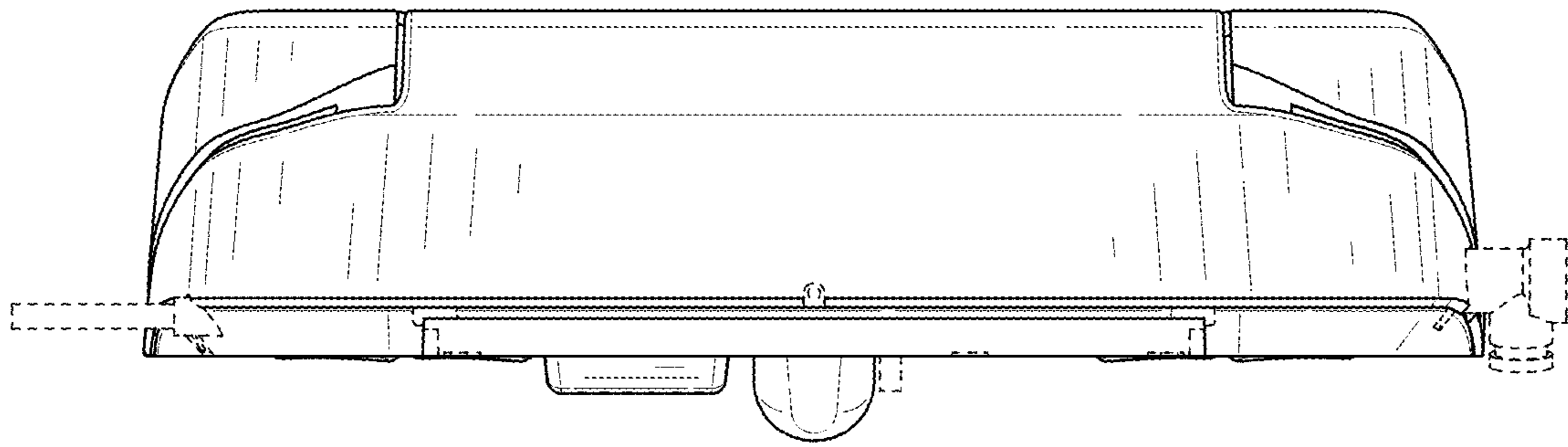


FIG. 4

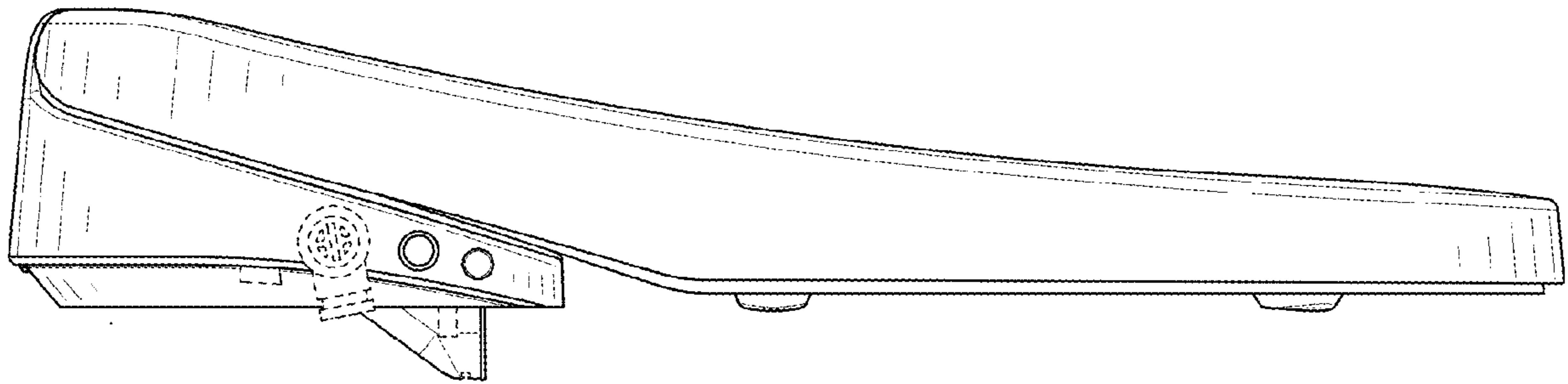


FIG. 5

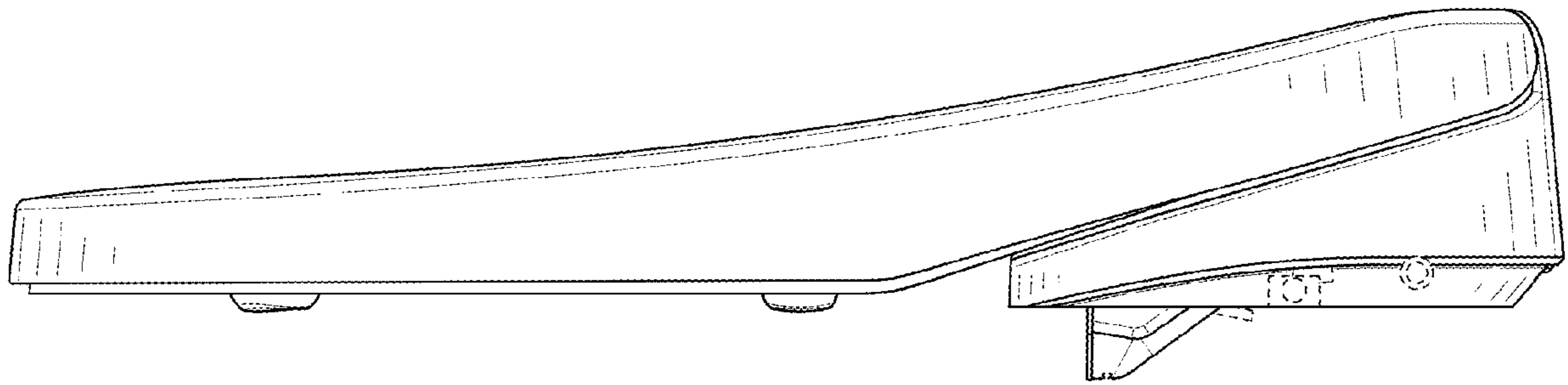


FIG. 6

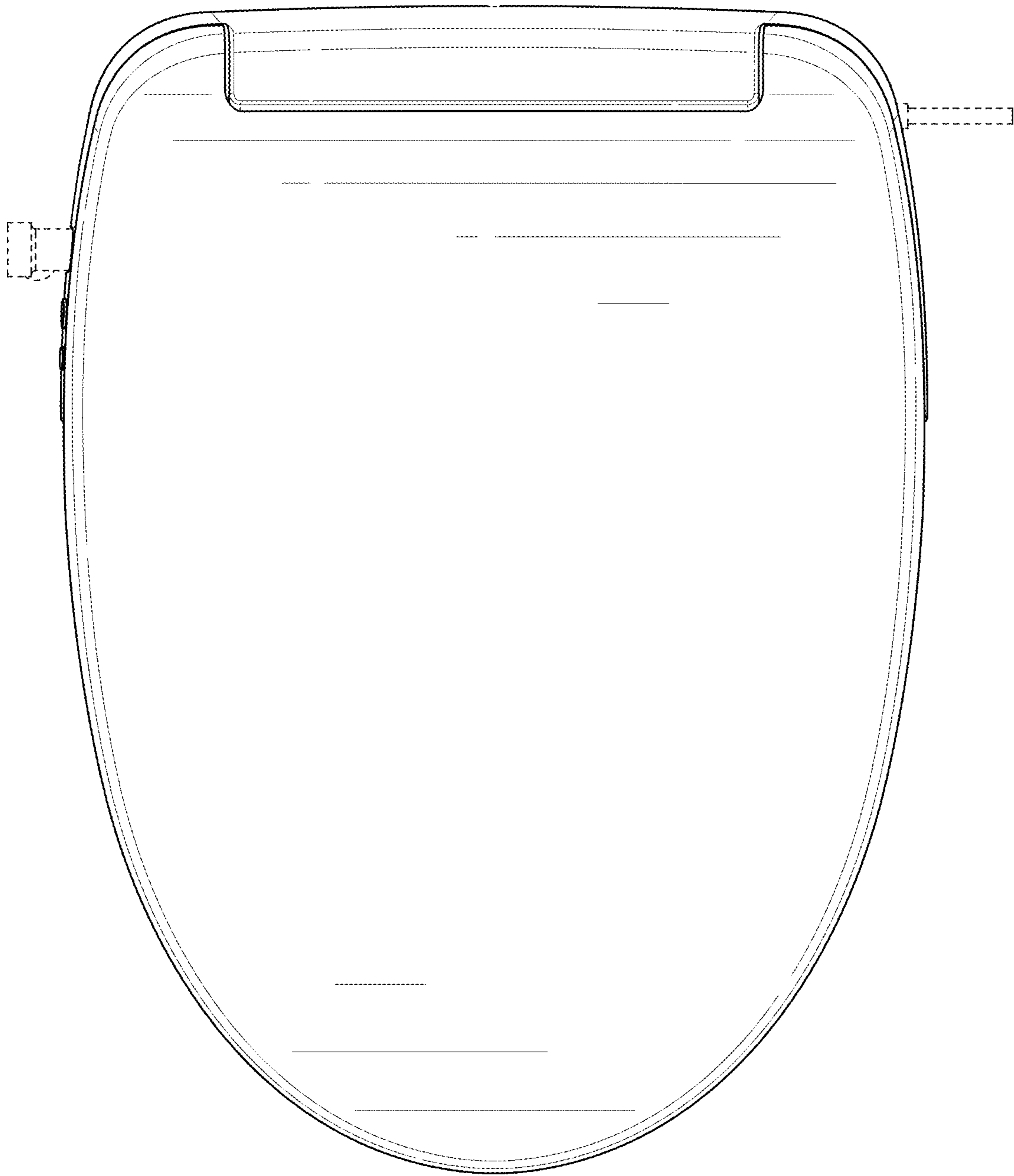


FIG. 7

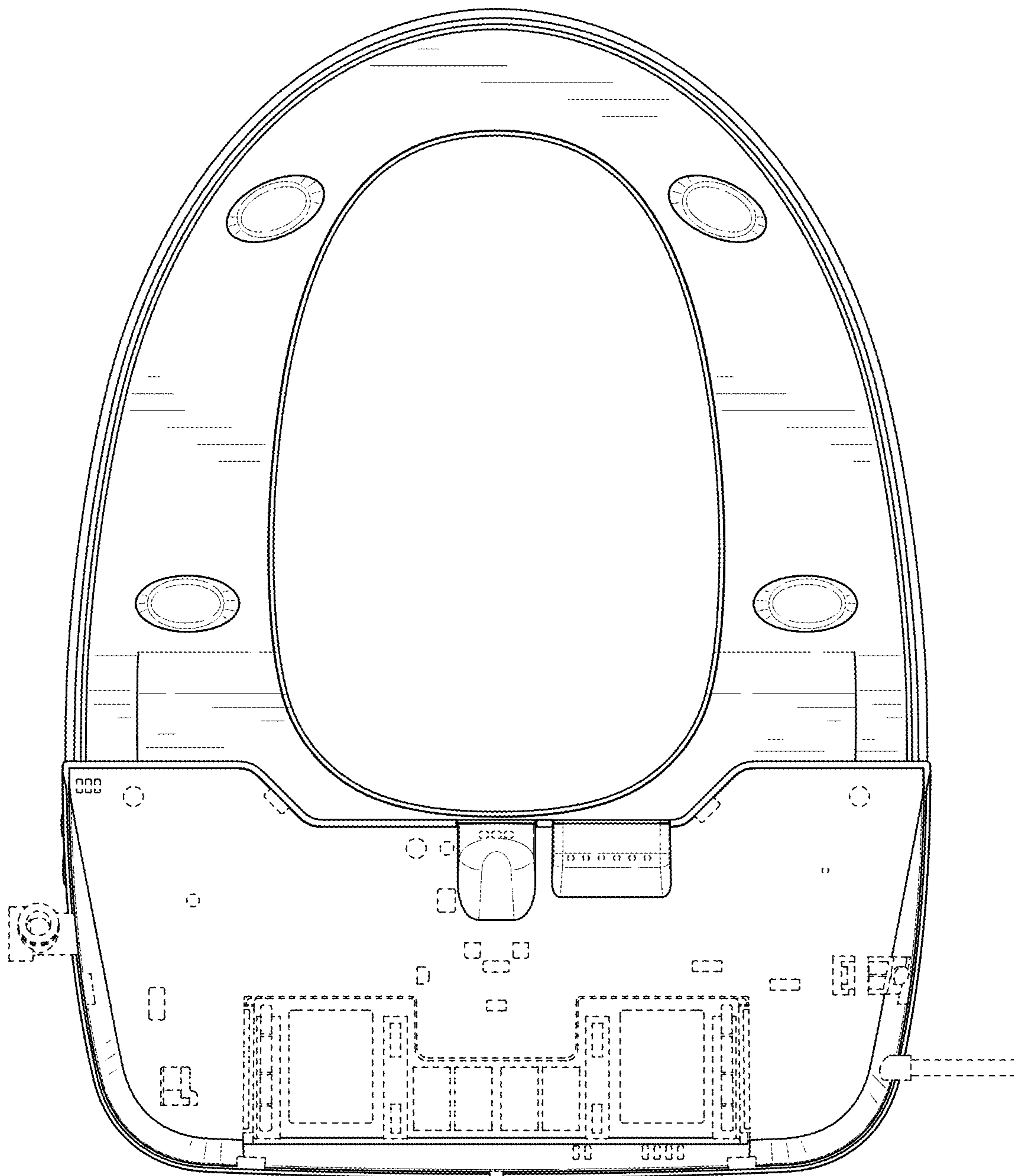


FIG. 8

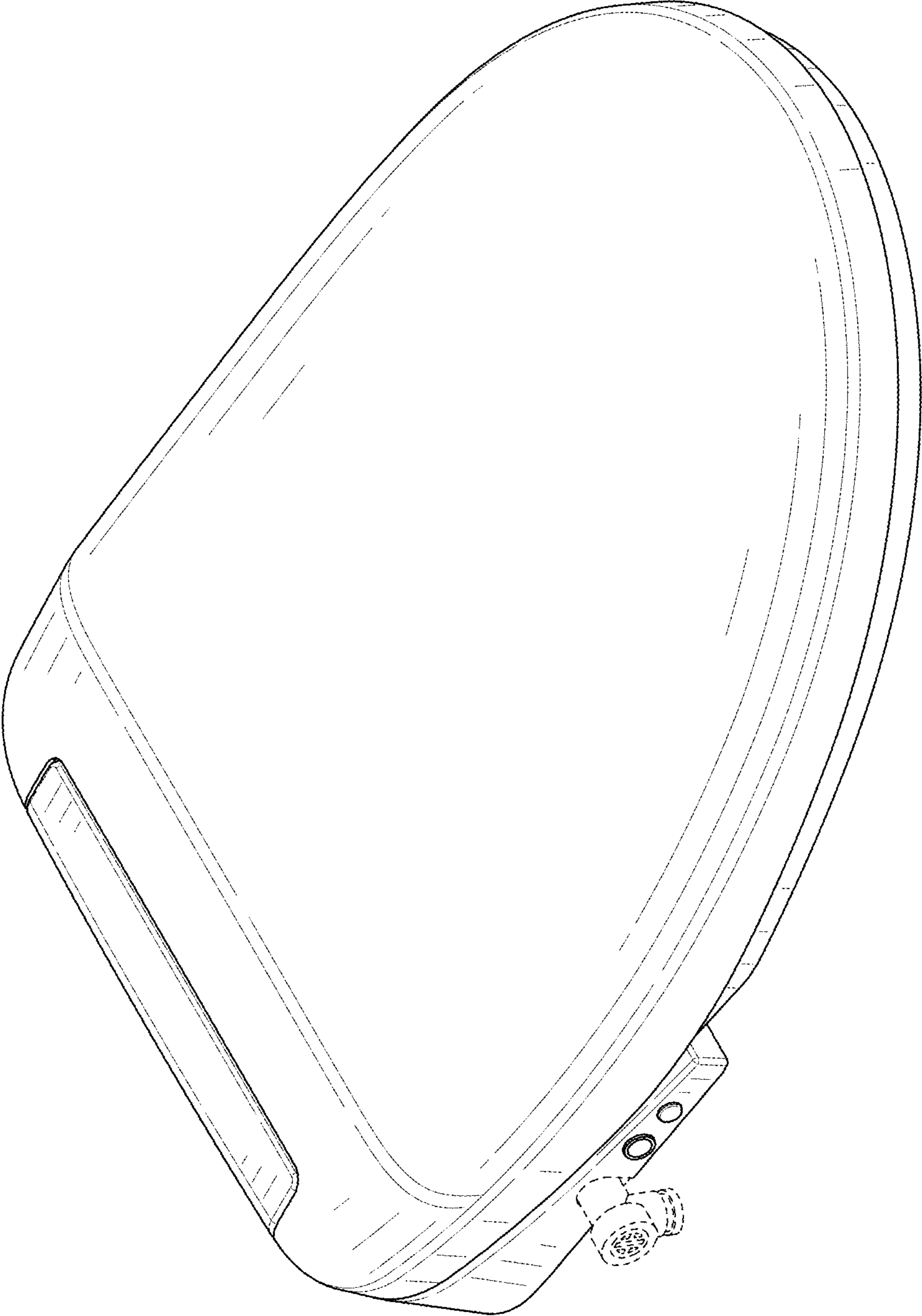


FIG. 9

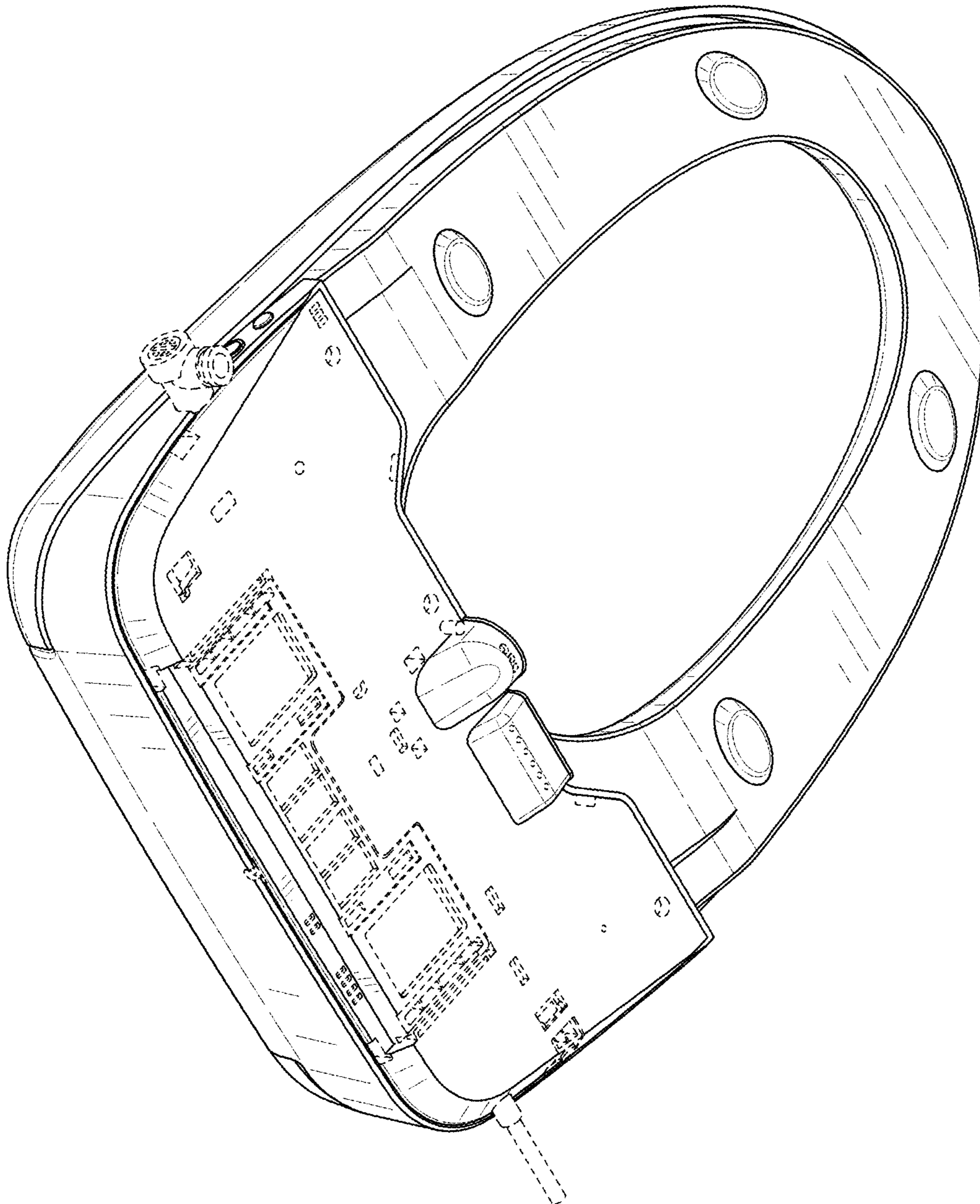


FIG. 10

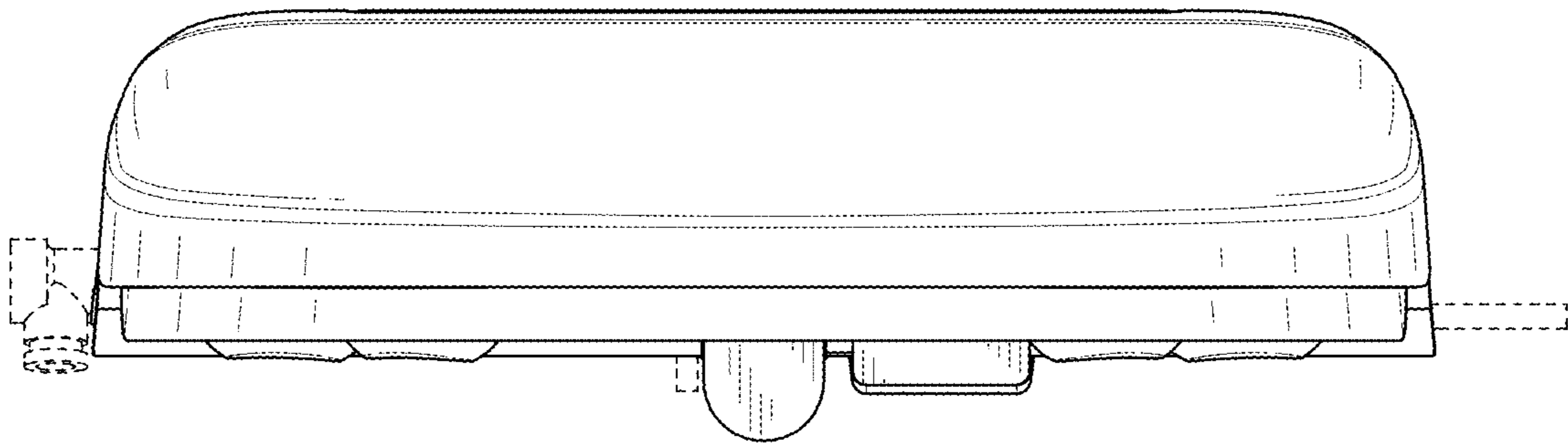


FIG. 11

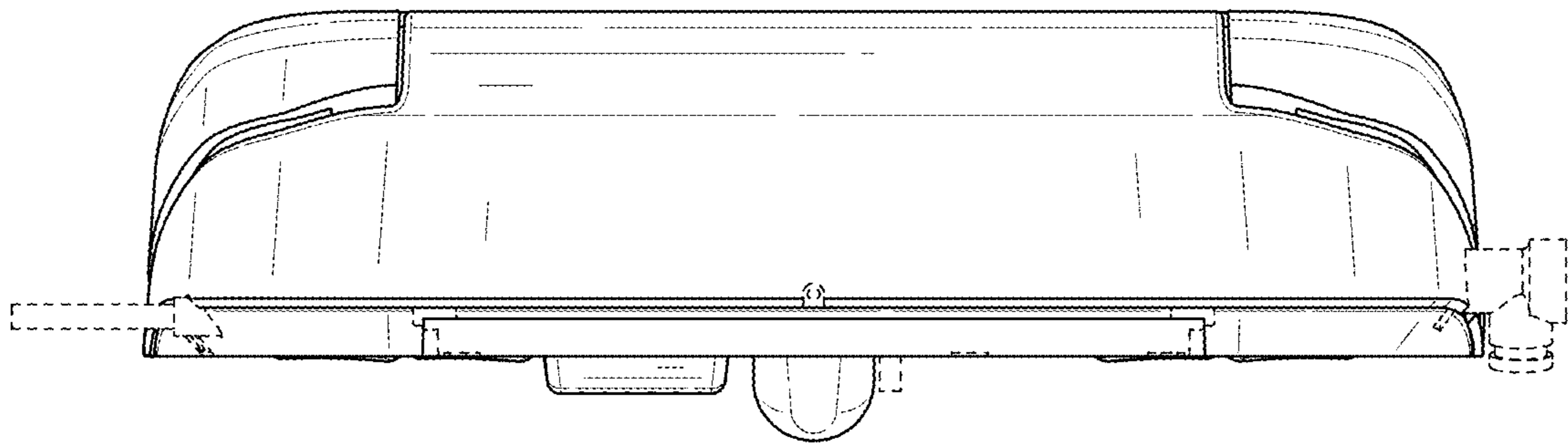


FIG. 12

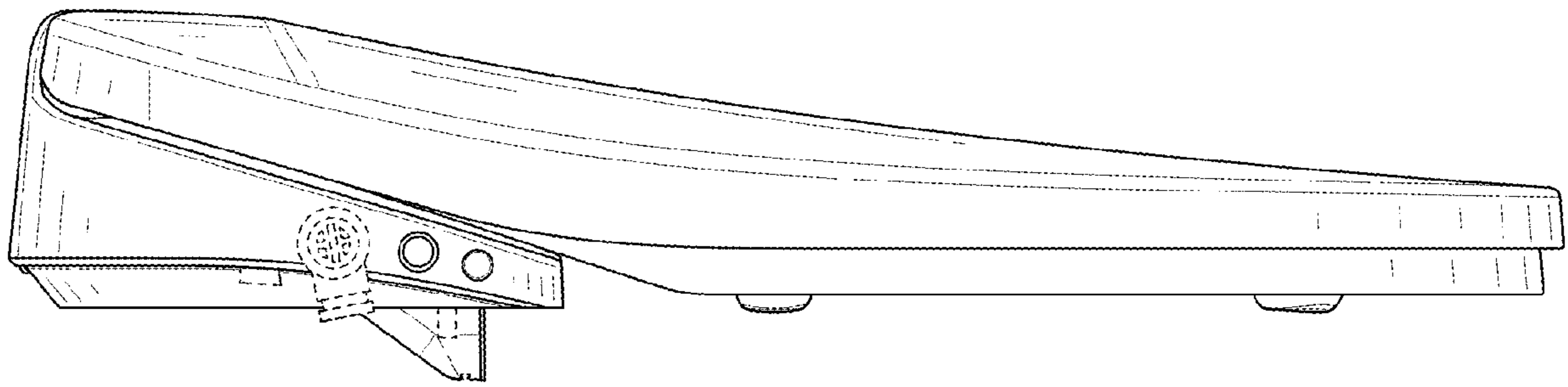


FIG. 13

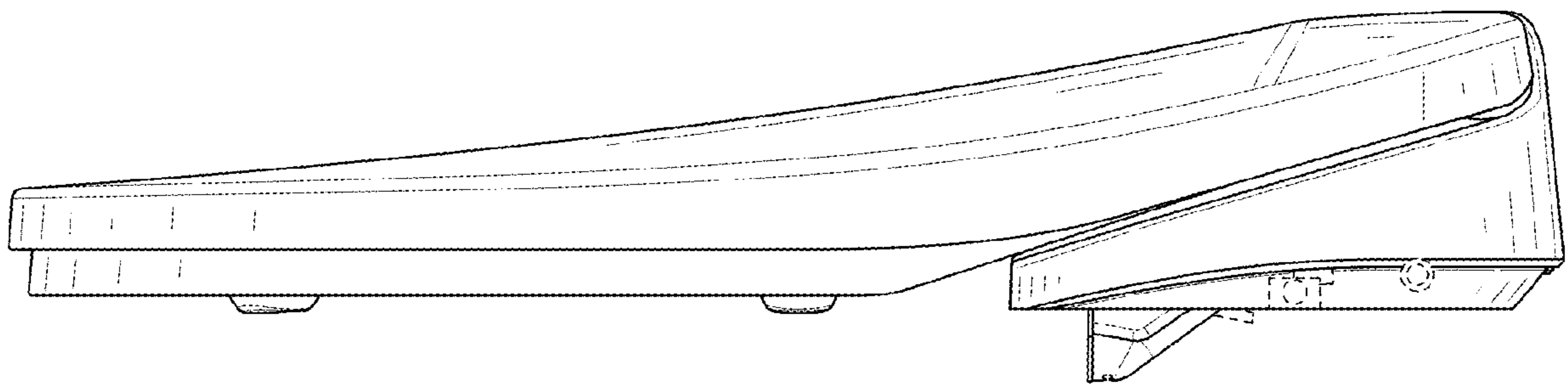


FIG. 14

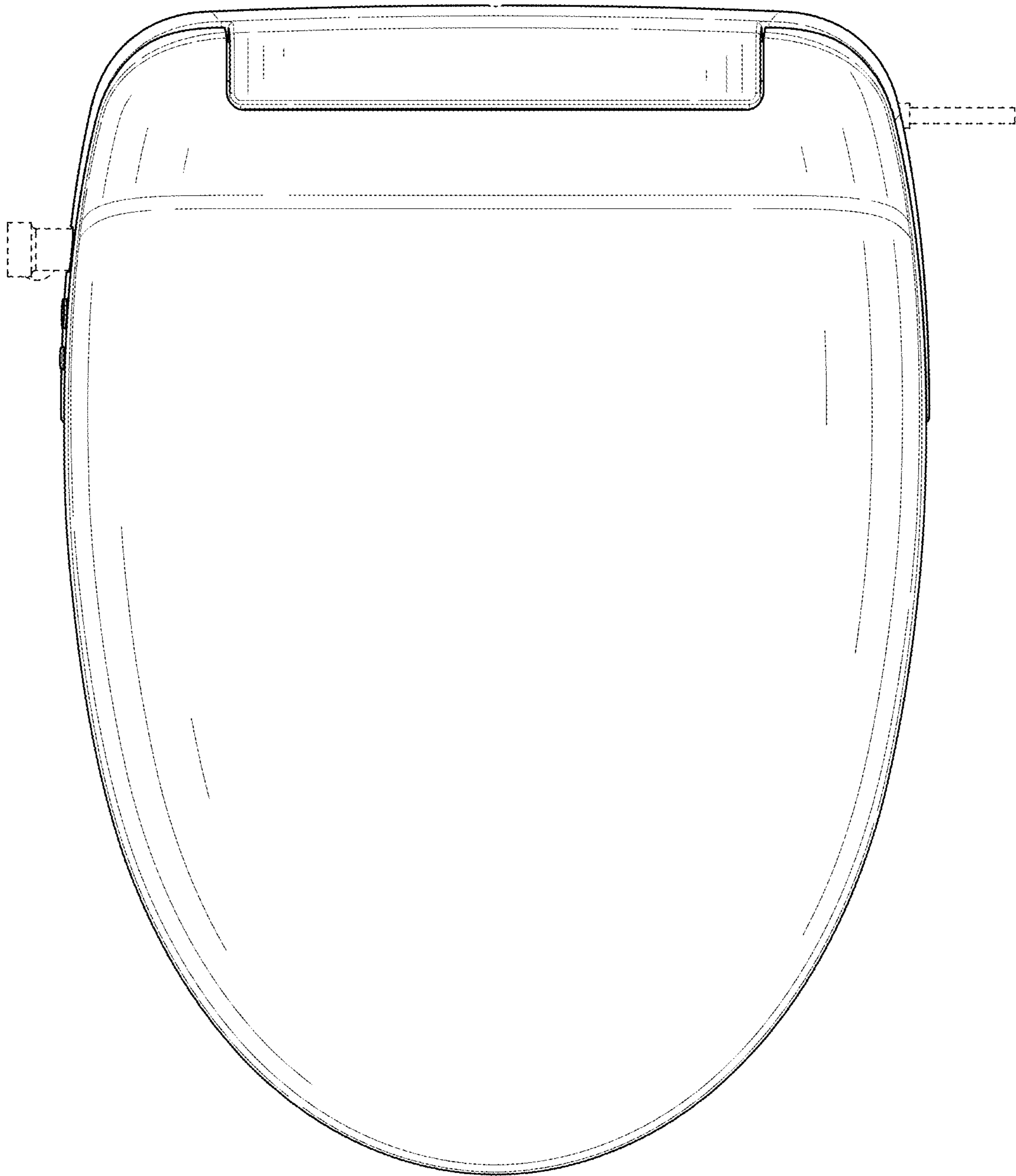


FIG. 15

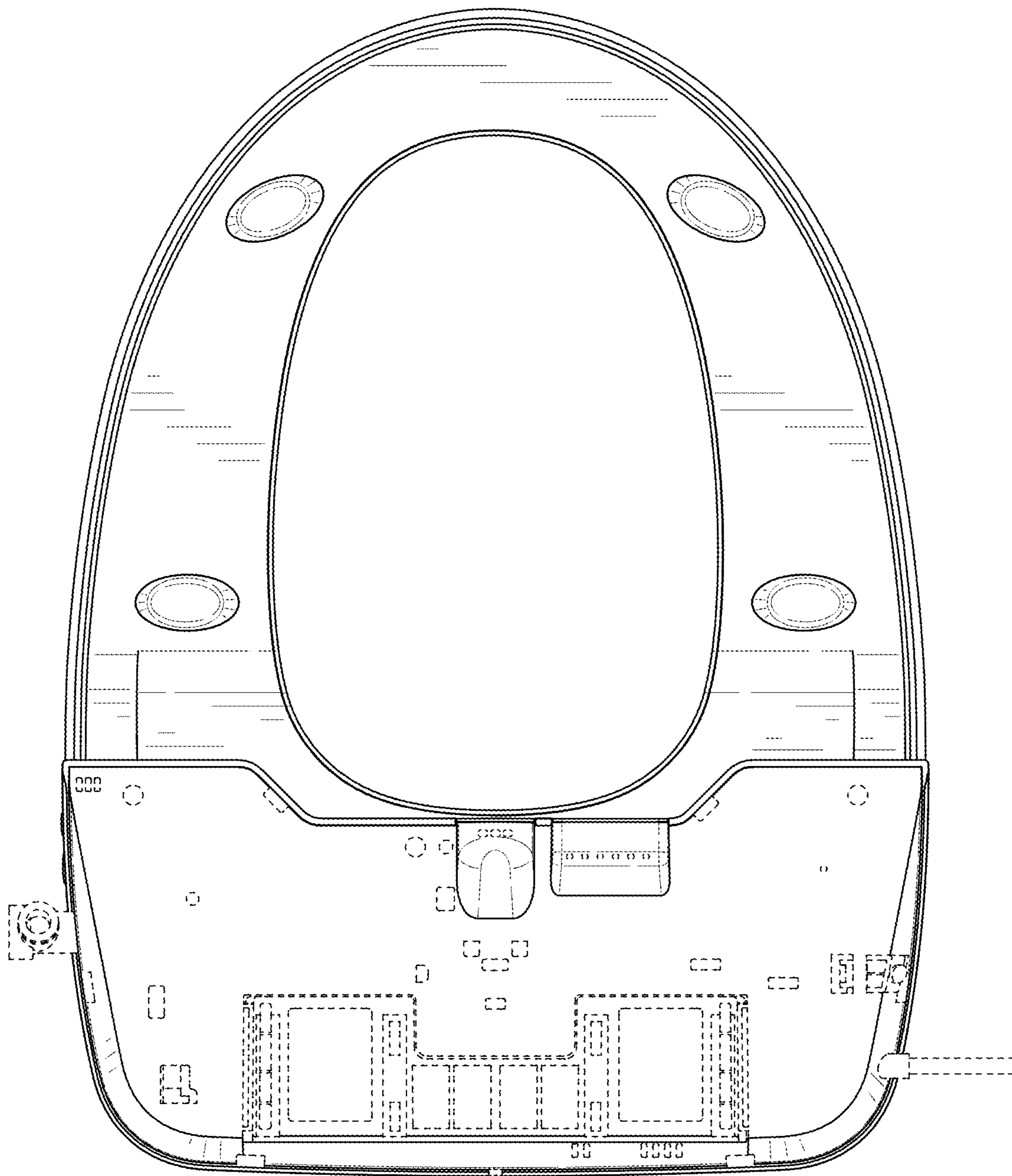


FIG. 16