

US00D897506S

(12) **United States Design Patent**  
**Slothower**

(10) **Patent No.:** **US D897,506 S**

(45) **Date of Patent:** **\*\* Sep. 29, 2020**

(54) **TOILET**

(71) Applicant: **Kohler Co.**, Kohler, WI (US)

(72) Inventor: **Erich D. Slothower**, Mill Valley, CA (US)

(73) Assignee: **Kohler Co.**, Kohler, WI (US)

(\*\*) Term: **15 Years**

(21) Appl. No.: **29/654,170**

(22) Filed: **Jun. 21, 2018**

(51) **LOC (12) Cl.** ..... **23-02**

(52) **U.S. Cl.**

USPC ..... **D23/309**

(58) **Field of Classification Search**

USPC ..... D23/295–303, 309, 311–313

CPC ..... A47K 11/02; A47K 11/026; A47K 11/00;

A47K 13/00; E03D 11/18; E03D 5/10;

E03D 13/00

See application file for complete search history.

(56) **References Cited**

**U.S. PATENT DOCUMENTS**

|              |         |                |         |
|--------------|---------|----------------|---------|
| D268,779 S   | 4/1983  | Doman          |         |
| D346,854 S   | 5/1994  | Reid           |         |
| D372,961 S   | 8/1996  | Bonnell et al. |         |
| D397,214 S   | 8/1998  | Felker         |         |
| D429,801 S * | 8/2000  | Svendsen       | D23/295 |
| D430,653 S   | 9/2000  | Lohmann        |         |
| D437,634 S   | 2/2001  | Hundley        |         |
| D496,442 S   | 9/2004  | Bates          |         |
| D507,335 S   | 7/2005  | Gordon         |         |
| D520,615 S * | 5/2006  | Hou            | D23/301 |
| D532,493 S * | 11/2006 | Bucher         | D23/301 |
| D532,875 S   | 11/2006 | Kaule          |         |

(Continued)

**OTHER PUBLICATIONS**

Toilets (pp. 314-347) of the 2016 Kohler Fixtures Catalog.

*Primary Examiner* — Lakiya G Rogers

*Assistant Examiner* — John A Voytek

(74) *Attorney, Agent, or Firm* — Lempia Summerfield Katz LLC

(57) **CLAIM**

I claim the ornamental design for a toilet, as shown and described.

**DESCRIPTION**

FIG. 1 is a perspective view of another embodiment of the claimed design;

FIG. 2 is a top view of the claimed design shown in FIG. 1;

FIG. 3 is a bottom view of the claimed design shown in FIG. 1;

FIG. 4 is a front view of the claimed design shown in FIG. 1;

FIG. 5 is a rear view of the claimed design shown in FIG. 1;

FIG. 6 is a side view of the claimed design shown in FIG. 1; and,

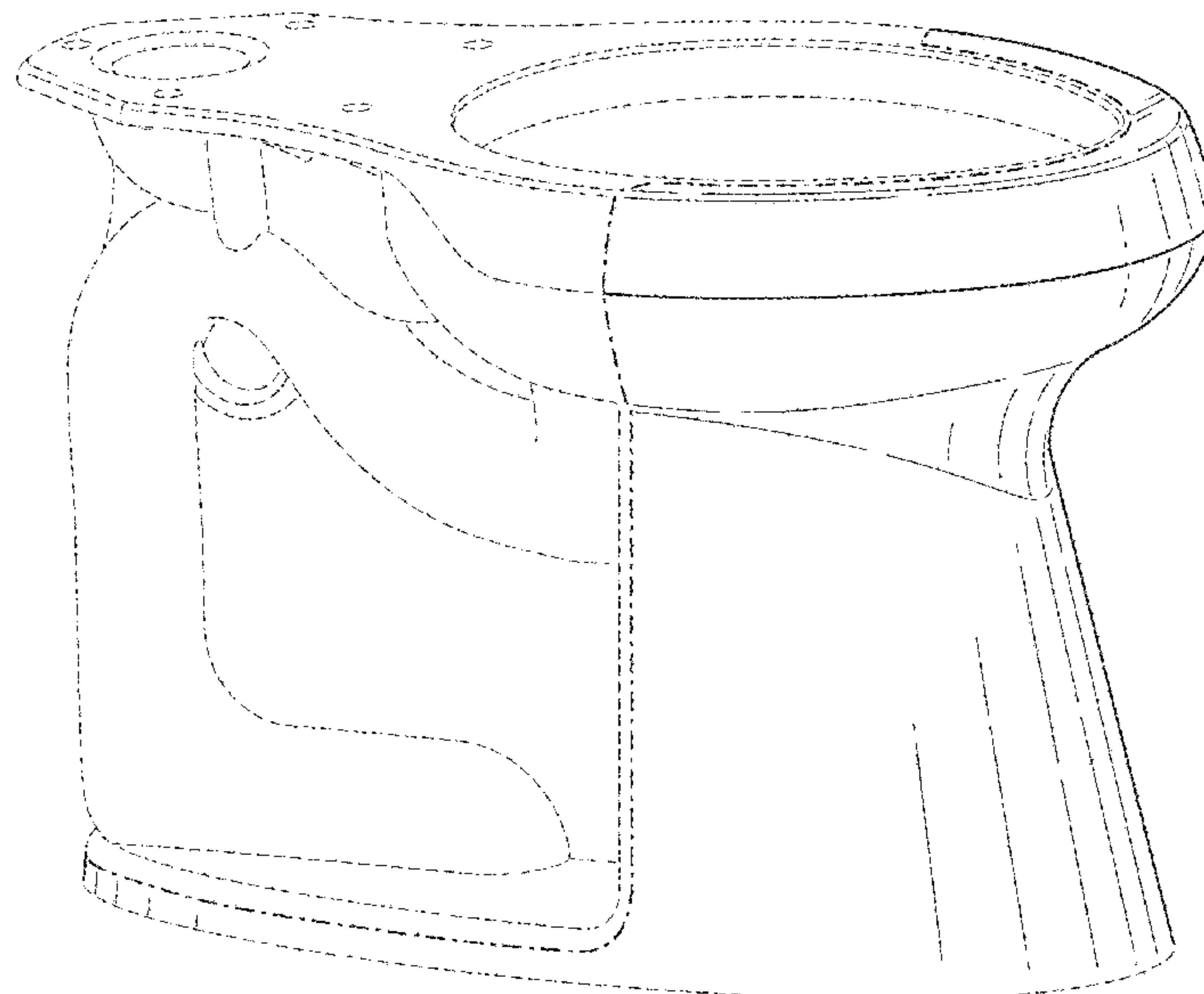
FIG. 7 is another side view of the claimed design shown in FIG. 1.

In the drawings, broken lines formed by equal length dashes show unclaimed portions of the design. Broken lines formed of unequal length dashes (i.e., dash-dot) show boundaries of the design; and form no part of the claimed design.

The ornamental design that is claimed is shown in the drawings as solid lines and surfaces having surface shading.

The broken lines in the drawings are for illustrative purposes only and form no part of the claimed design. For example, broken lines formed by equal length dashes show unclaimed portions of the design. Broken lines formed of unequal length dashes (i.e., dash-dot) show boundaries between either claimed and unclaimed portions of the design or between unclaimed and unclaimed portions of the design.

**1 Claim, 7 Drawing Sheets**



(56)

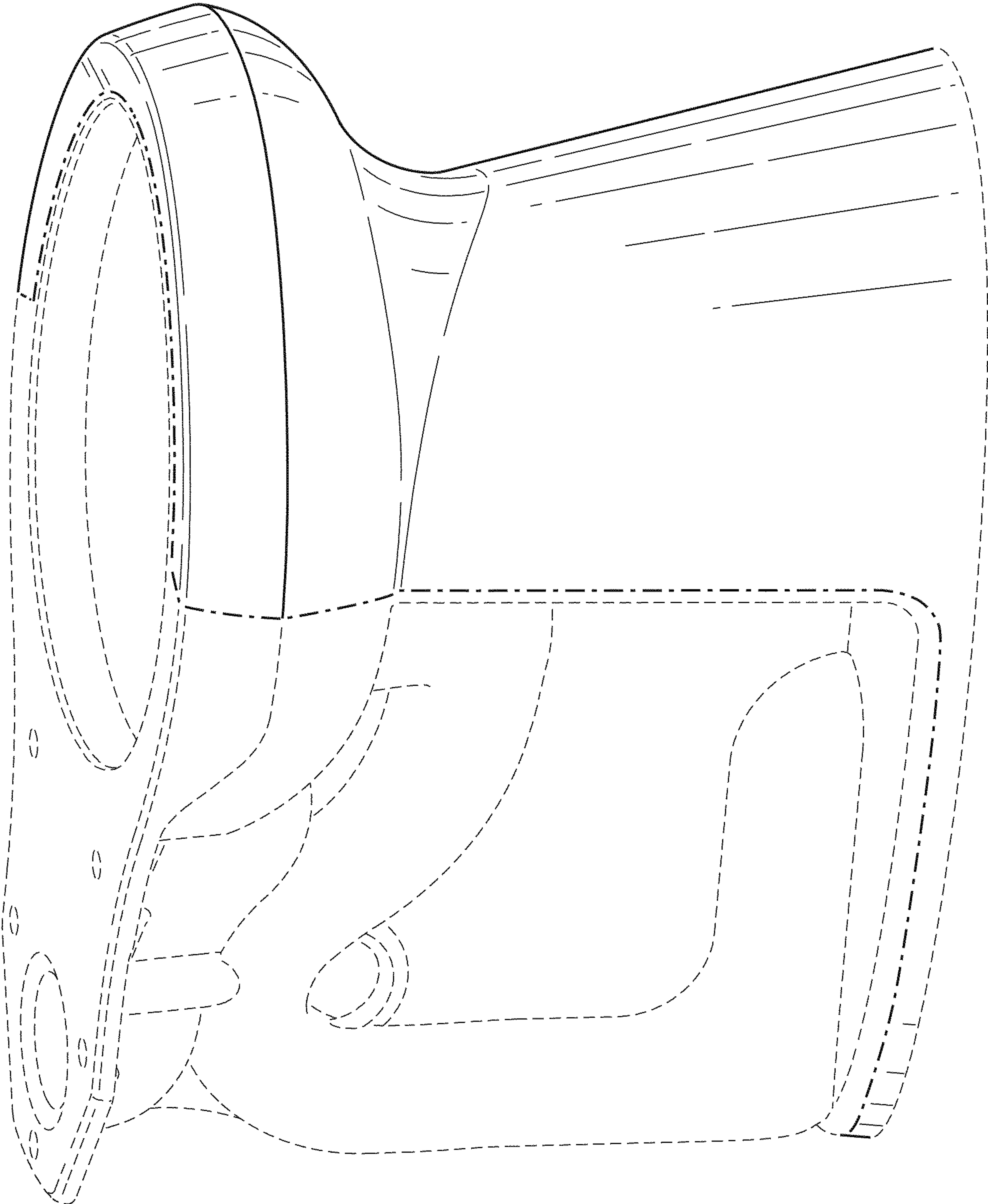
**References Cited**

U.S. PATENT DOCUMENTS

|            |   |         |                  |         |
|------------|---|---------|------------------|---------|
| D556,872 S | * | 12/2007 | Crowther .....   | D23/300 |
| D594,942 S |   | 6/2009  | Slothower et al. |         |
| D603,943 S | * | 11/2009 | Slothower .....  | D23/295 |
| D647,184 S | * | 10/2011 | Bates .....      | D23/295 |
| D687,933 S | * | 8/2013  | Kennedy .....    | D23/295 |
| D690,402 S |   | 9/2013  | Bates et al.     |         |
| D702,819 S | * | 4/2014  | Garland .....    | D23/301 |
| D702,820 S | * | 4/2014  | Spangler .....   | D23/301 |
| D712,523 S | * | 9/2014  | Garland .....    | D23/295 |
| D745,125 S |   | 12/2015 | Fullerton et al. |         |
| D749,710 S | * | 2/2016  | Eads .....       | D23/295 |
| D751,679 S | * | 3/2016  | McNinch .....    | D23/295 |
| D752,191 S | * | 3/2016  | Eads .....       | D23/295 |
| D806,842 S |   | 1/2018  | Goad             |         |
| D815,718 S | * | 4/2018  | Garrels .....    | D23/301 |
| D824,006 S | * | 7/2018  | Goad .....       | D23/309 |
| D829,871 S | * | 10/2018 | Garrels .....    | D23/301 |
| D863,517 S | * | 10/2019 | Garrels .....    | D23/309 |

\* cited by examiner

FIG. 1



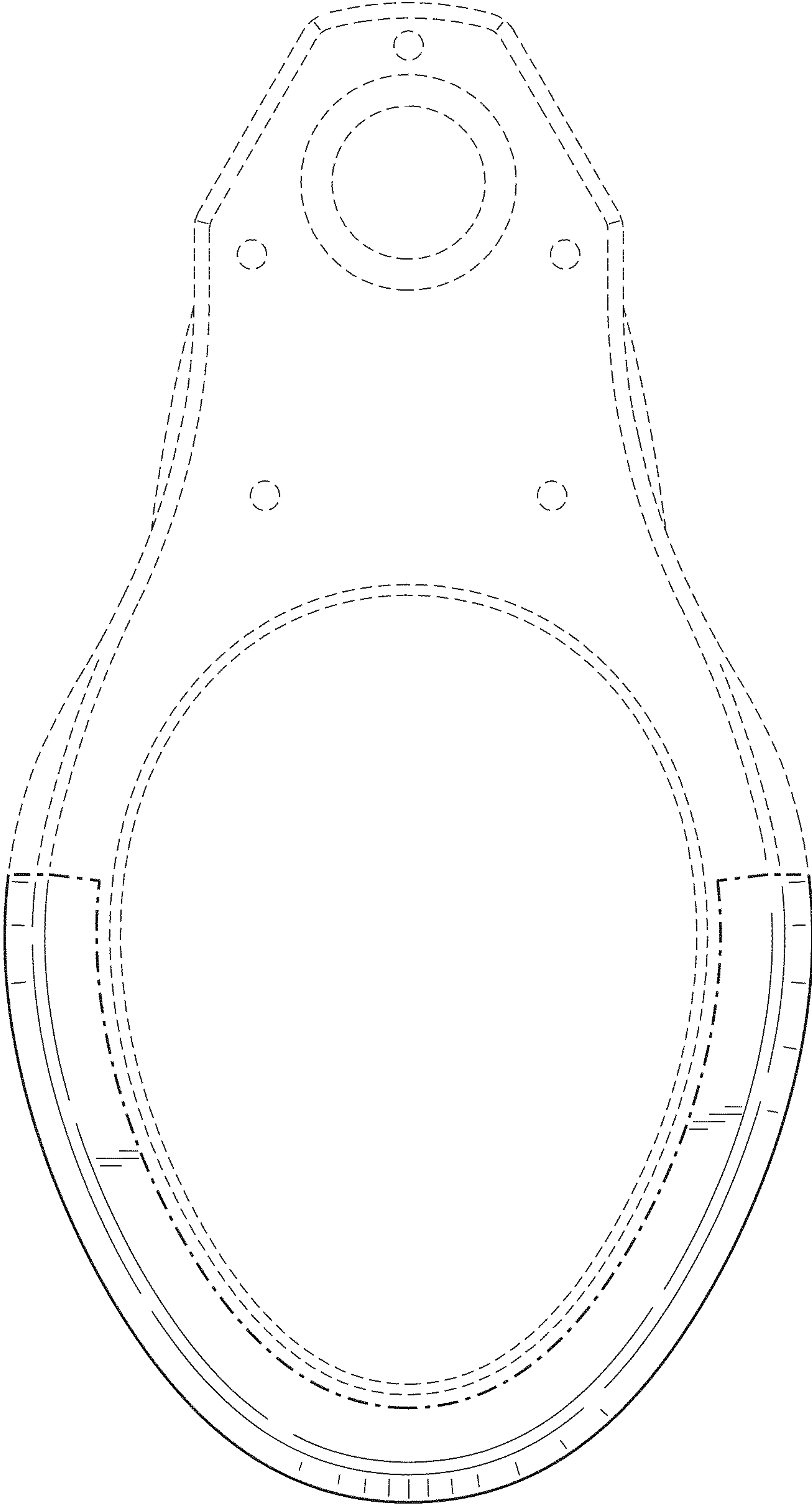


FIG. 2

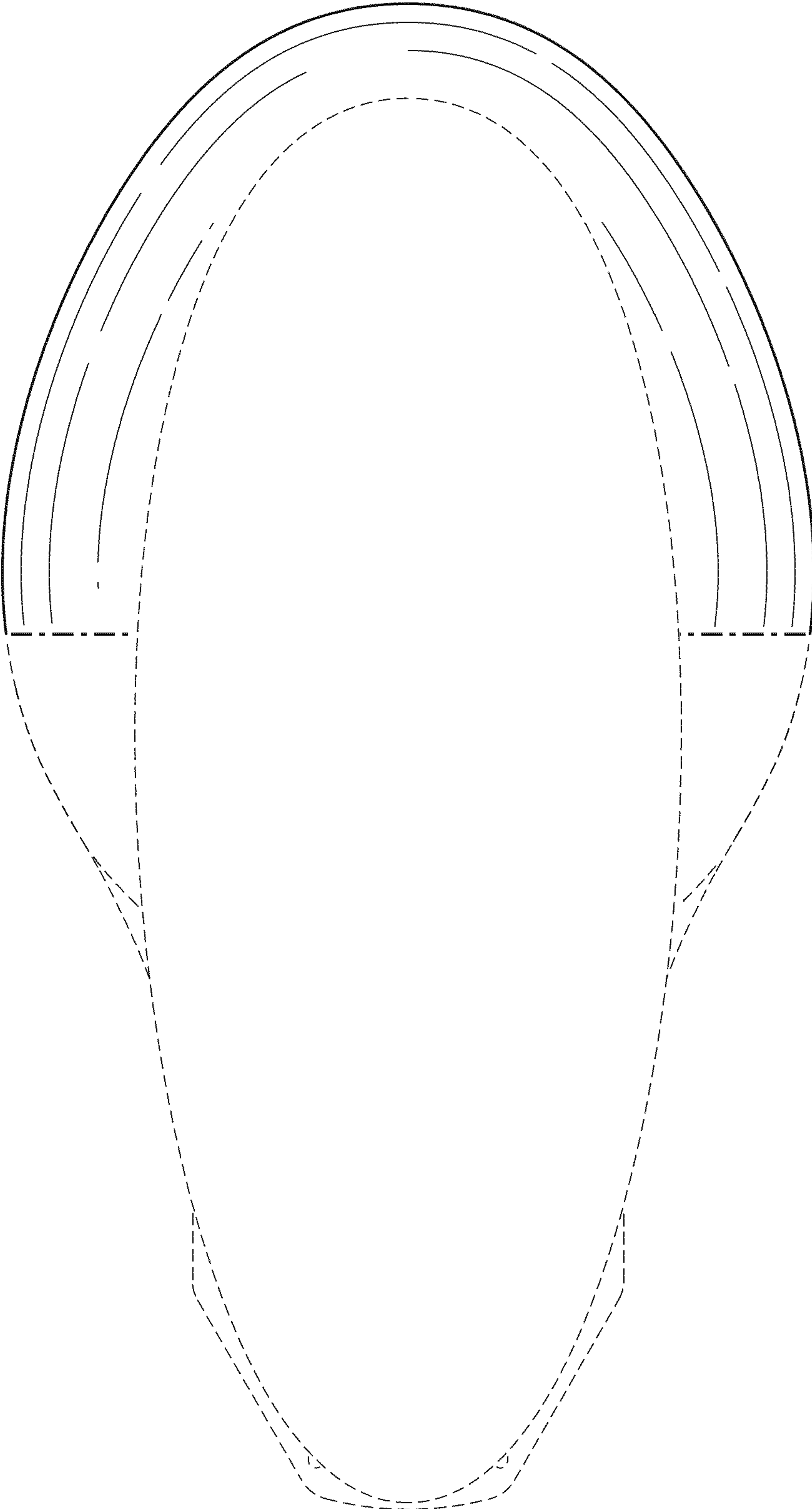


FIG. 3



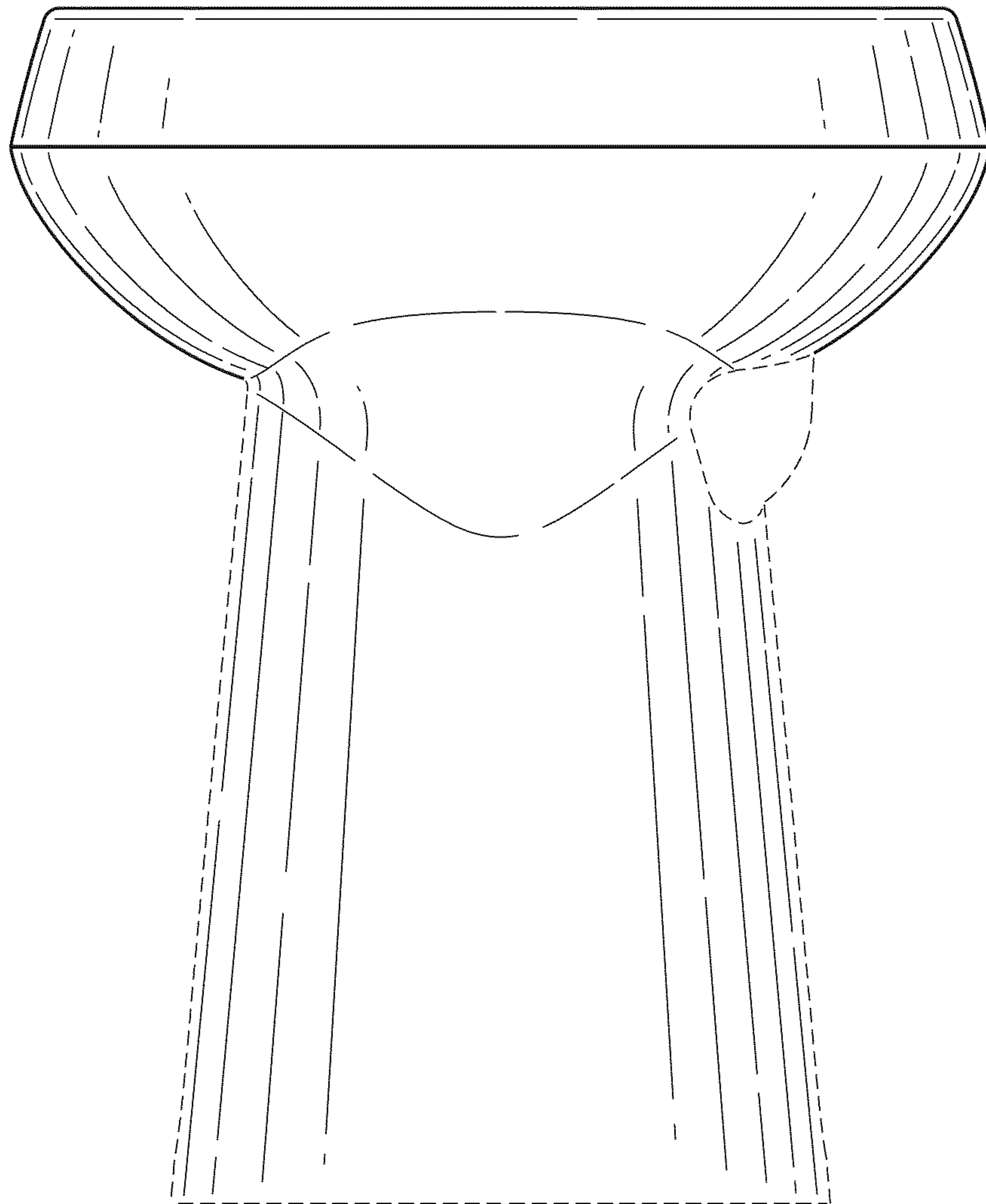


FIG. 4

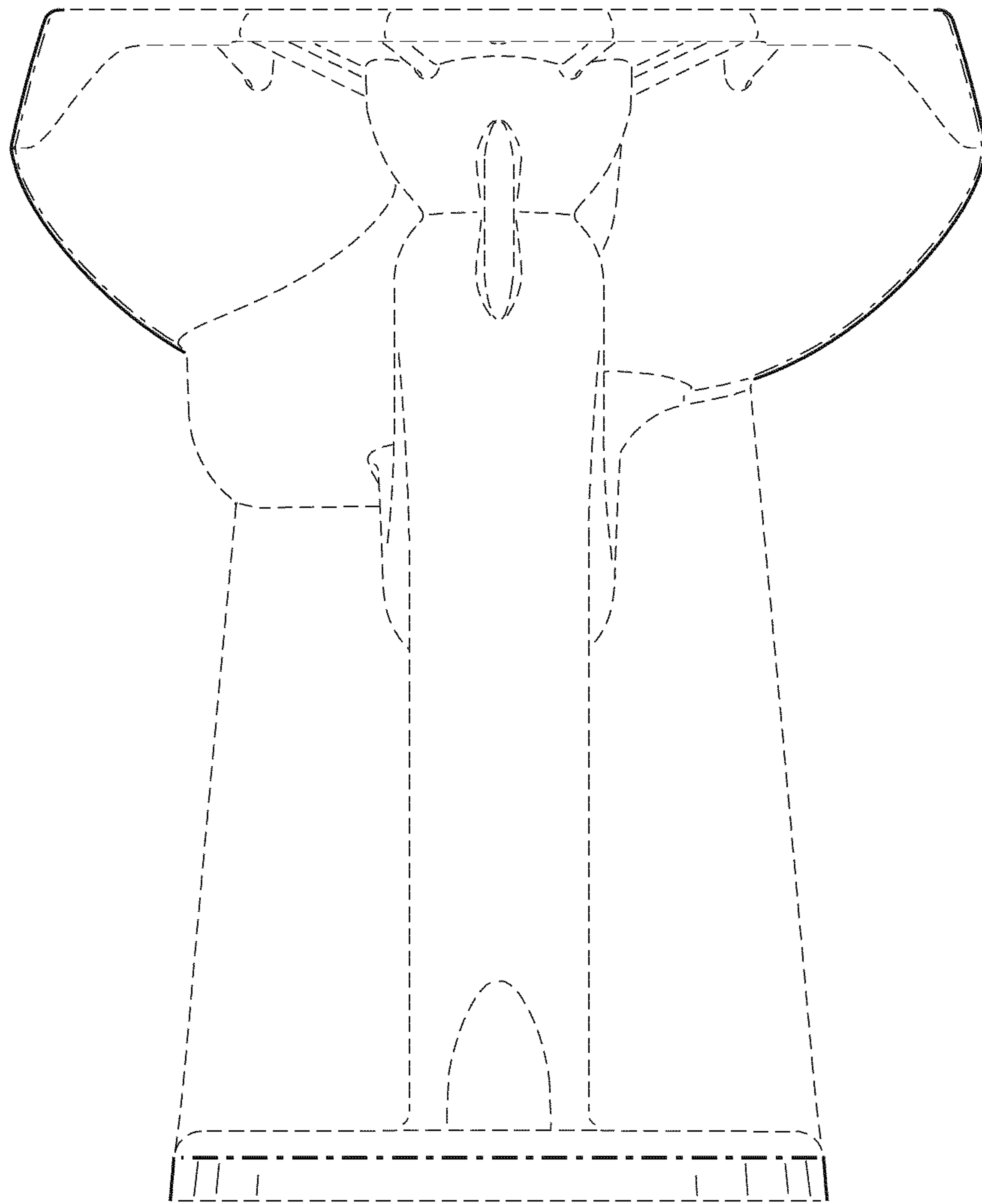


FIG. 5

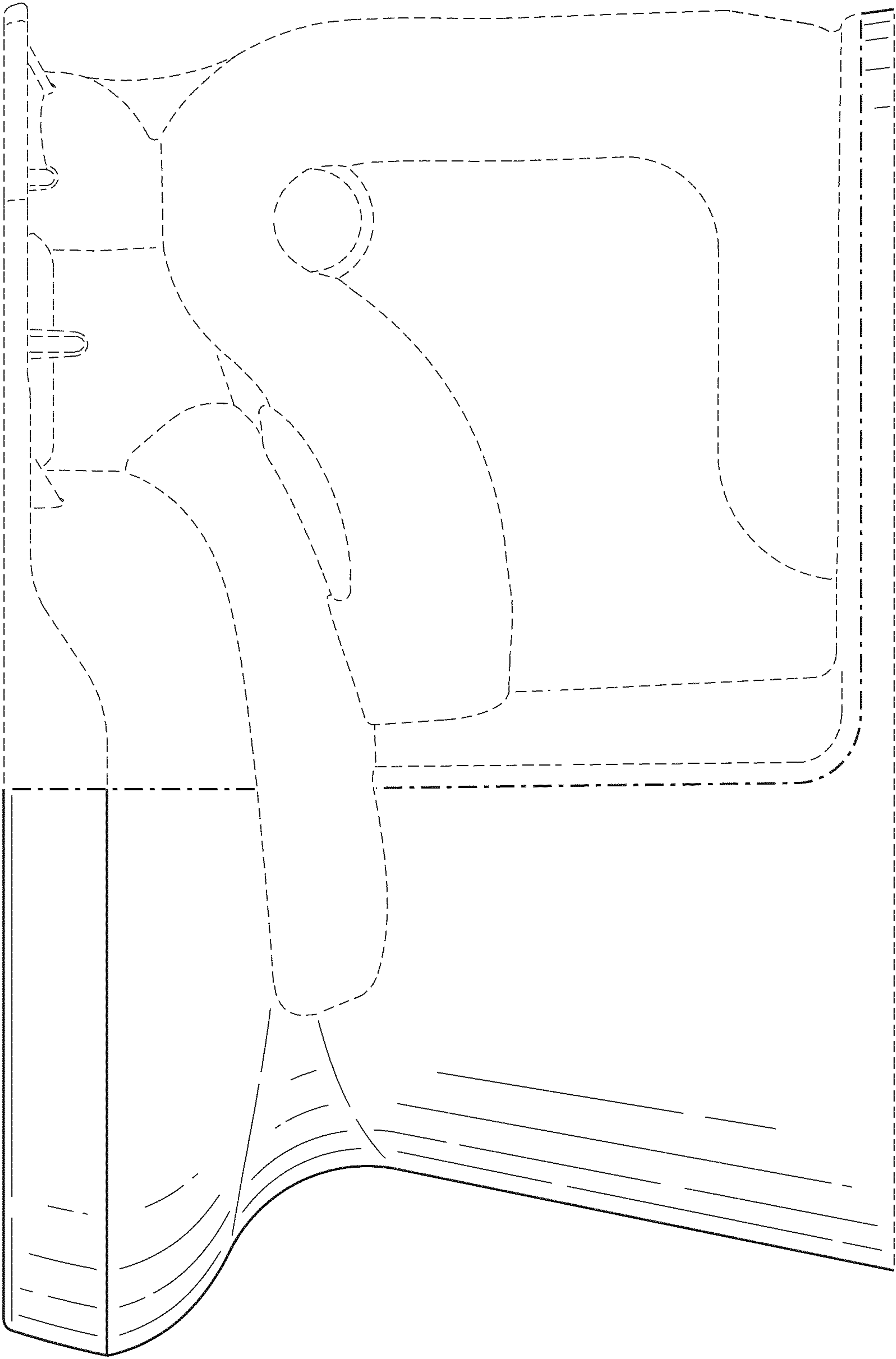


FIG. 6



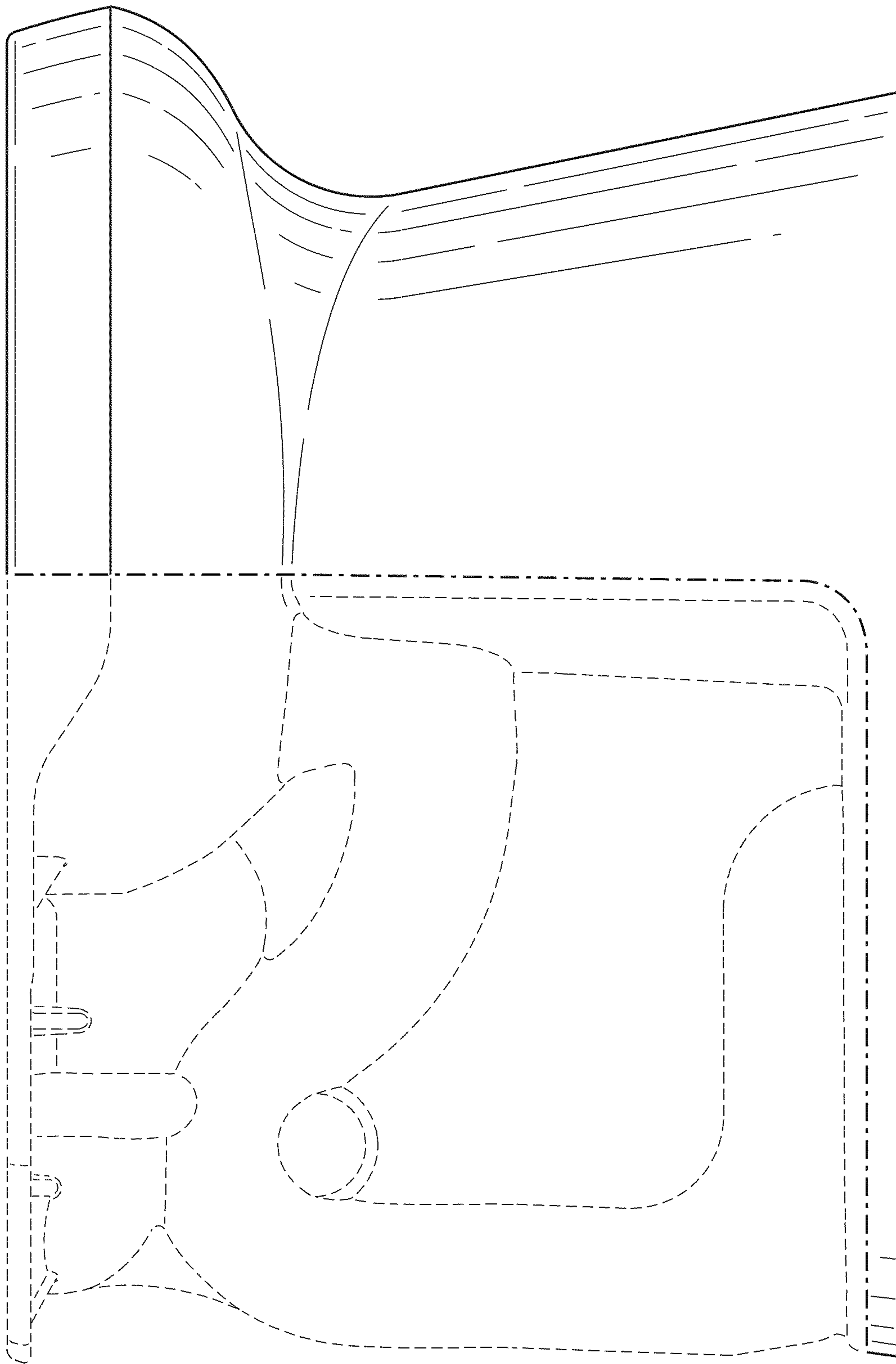


FIG. 7