



US00D897505S

(12) **United States Design Patent** (10) **Patent No.:** **US D897,505 S**
Kinsella et al. (45) **Date of Patent:** **** Sep. 29, 2020**

(54) **SHOWER DOOR ASSEMBLY**

(74) *Attorney, Agent, or Firm* — Sughrue Mion, PLLC

(71) Applicant: **MERLYN INDUSTRIES LIMITED,**
Kilkenny (IE)

(57) **CLAIM**

A shower door assembly, as shown and described.

(72) Inventors: **Paul Kinsella,** County Laois (IE);
James Carroll, County Offaly (IE)

DESCRIPTION

(73) Assignee: **MERLYN INDUSTRIES LIMITED,**
Kilkenny (IE)

FIG. 1 is a front perspective view from the front, the top and one side of a shower door assembly according to the design, FIG. 2 is a perspective view from the rear, the top and the other side to that of FIG. 1 of the shower door assembly of FIG. 1,

(**) Term: **15 Years**

(21) Appl. No.: **29/685,688**

FIG. 3 is a front elevational view of the shower door assembly of FIG. 1,

(22) Filed: **Mar. 29, 2019**

FIG. 4 is a rear elevational view of the shower door assembly of FIG. 1,

(51) **LOC (12) Cl.** **23-02**

(52) **U.S. Cl.**
USPC **D23/305**

FIG. 5 is a side elevational view of the shower door assembly of FIG. 1,

(58) **Field of Classification Search**

USPC D23/283, 304–305; D25/48.3, 48.5, 48.8,
D25/103

FIG. 6 is a side elevational view of the shower door assembly of FIG. 1, from the other side to that of FIG. 5,

CPC . A47K 3/34; A47K 3/36; A47K 3/362; A47K
3/367; A47K 3/283; A47K 3/284; E06B
3/4681; E06B 3/02; E06B 3/4636

FIG. 7 is a top plan view of the shower door assembly of FIG. 1,

See application file for complete search history.

FIG. 8 is a front perspective view from the front, the top and one side of a shower door assembly according to the design in a different state to that of FIG. 1,

(56) **References Cited**

U.S. PATENT DOCUMENTS

3,331,159	A *	7/1967	Cooke	A47F 3/043 49/371
3,335,784	A *	8/1967	Risk	E05D 15/063 160/199
4,375,736	A *	3/1983	Teckchandani	A47K 3/36 49/388
9,963,869	B1 *	5/2018	Mironchuk	E04B 1/6112
2007/0151164	A1 *	7/2007	Marshall	E05D 9/005 49/397

FIG. 9 is a perspective view from the rear, the top and the same side as that of FIG. 8 of the shower door assembly of FIG. 1 in the state of FIG. 8,

* cited by examiner

FIG. 10 is a front elevational view of the shower door assembly of FIG. 1 in the state of FIG. 8,

FIG. 11 is a rear elevational view of the shower door assembly of FIG. 1 in the state of FIG. 8,

FIG. 12 is a side elevational view of the shower door assembly of FIG. 1 in the state of FIG. 8,

FIG. 13 is a side elevational view of the shower door assembly of FIG. 1 in the state of FIG. 8, from the other side to that of FIG. 12; and,

FIG. 14 is a top plan view of the shower door assembly of FIG. 1 in the state of FIG. 8.

Primary Examiner — Robert A Delehanty

1 Claim, 14 Drawing Sheets

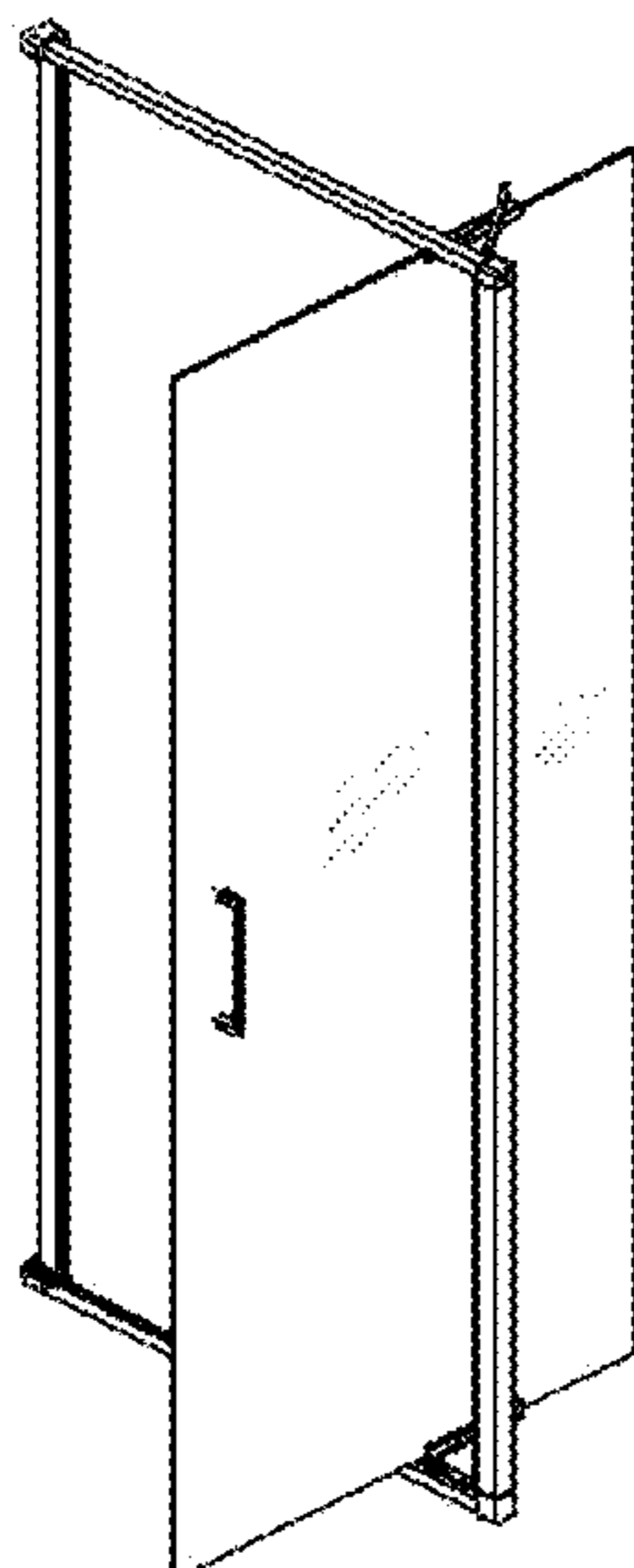


Fig. 1

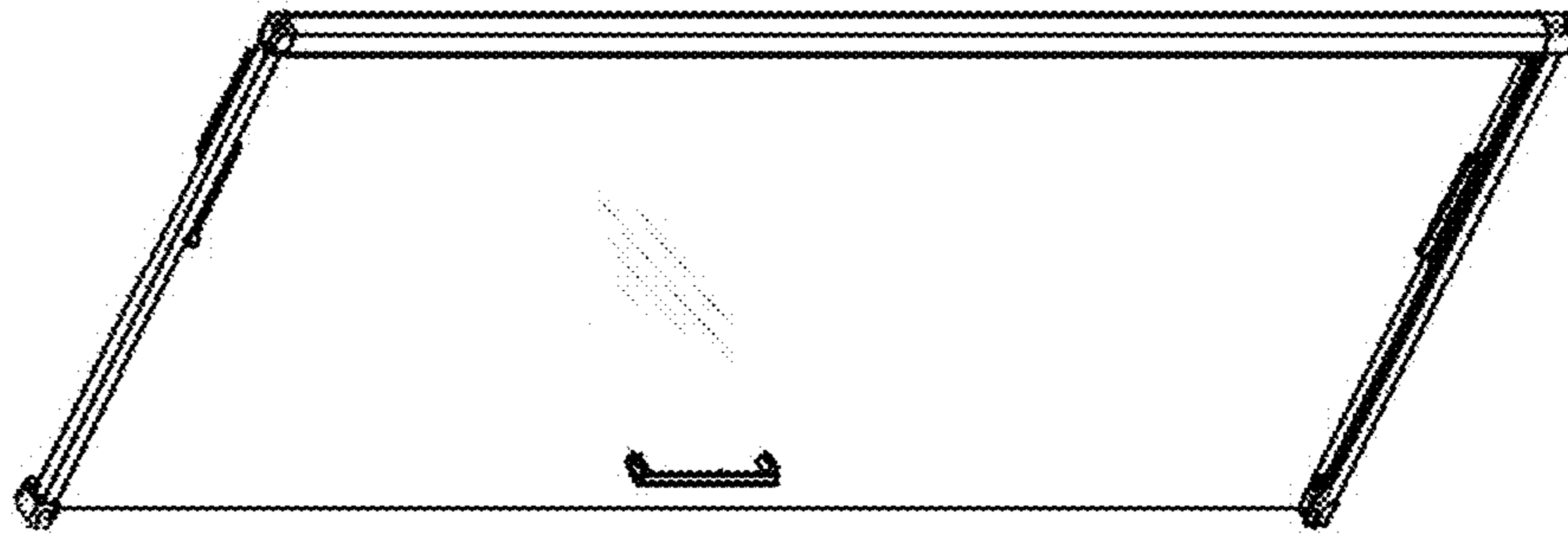


Fig. 2

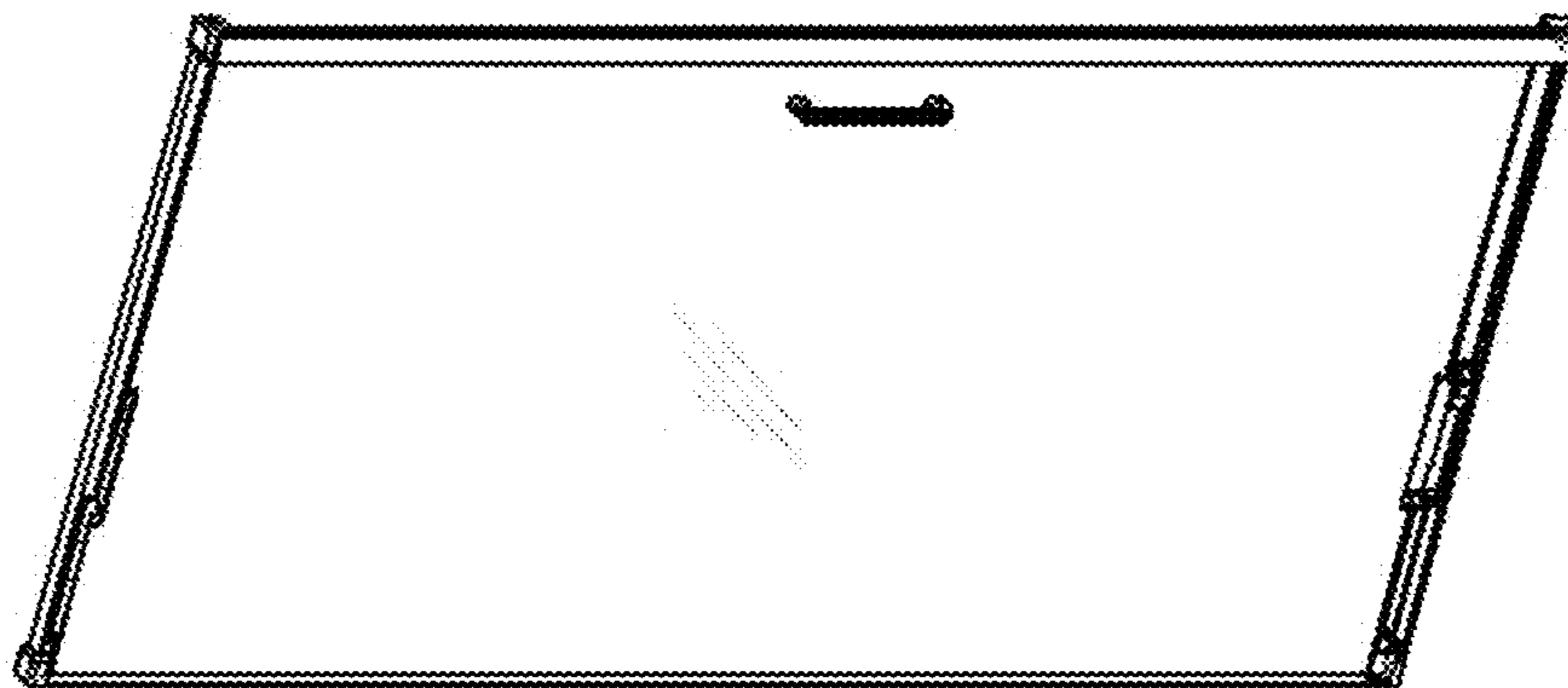


Fig. 3

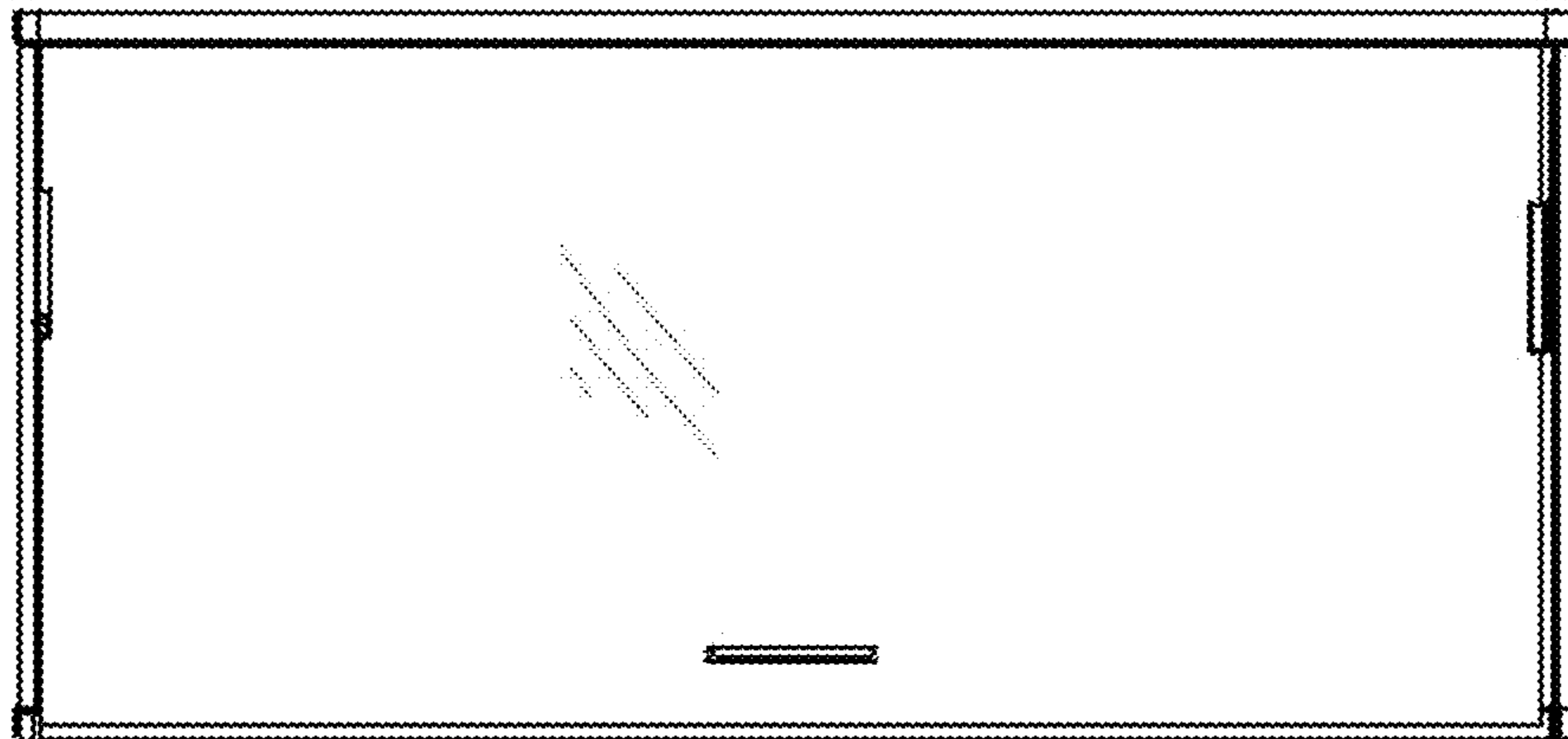


FIG. 4

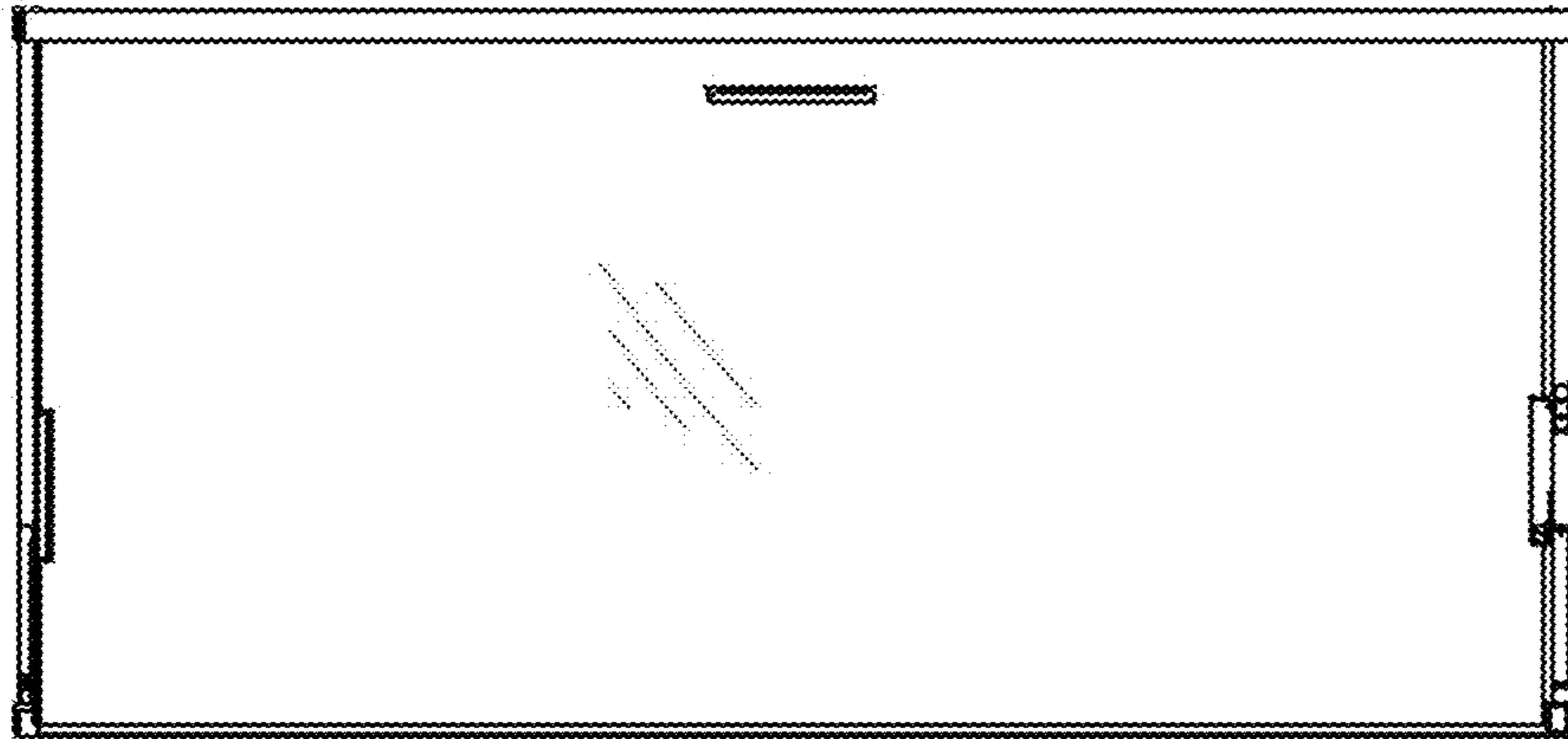


Fig. 5



Fig. 6



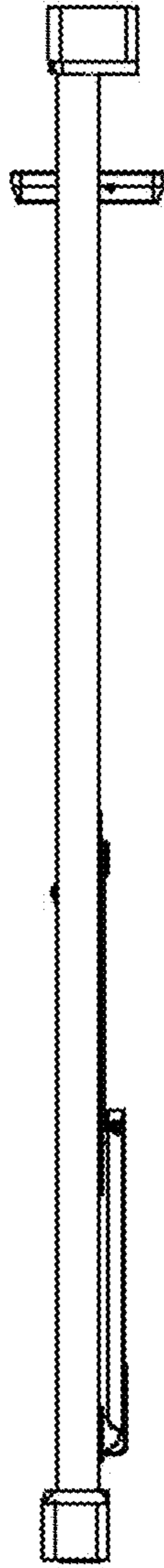


Fig. 7

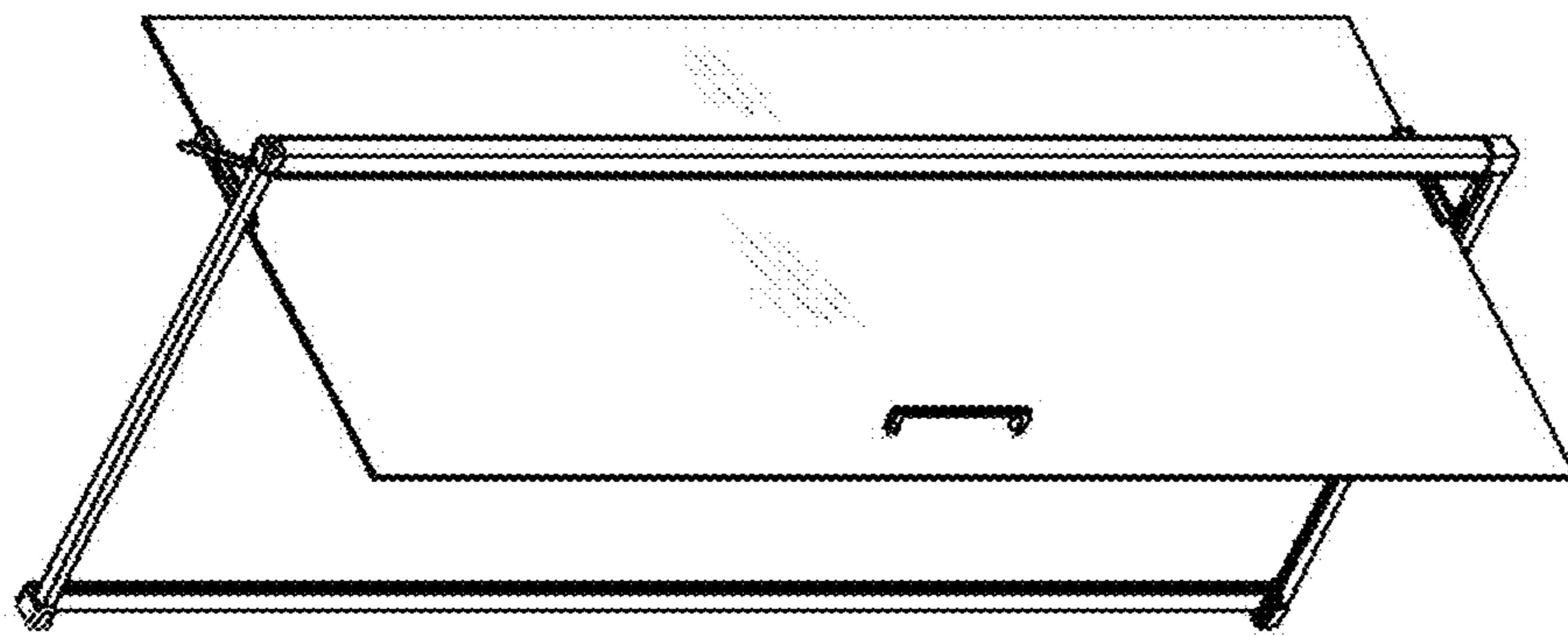


Fig. 8

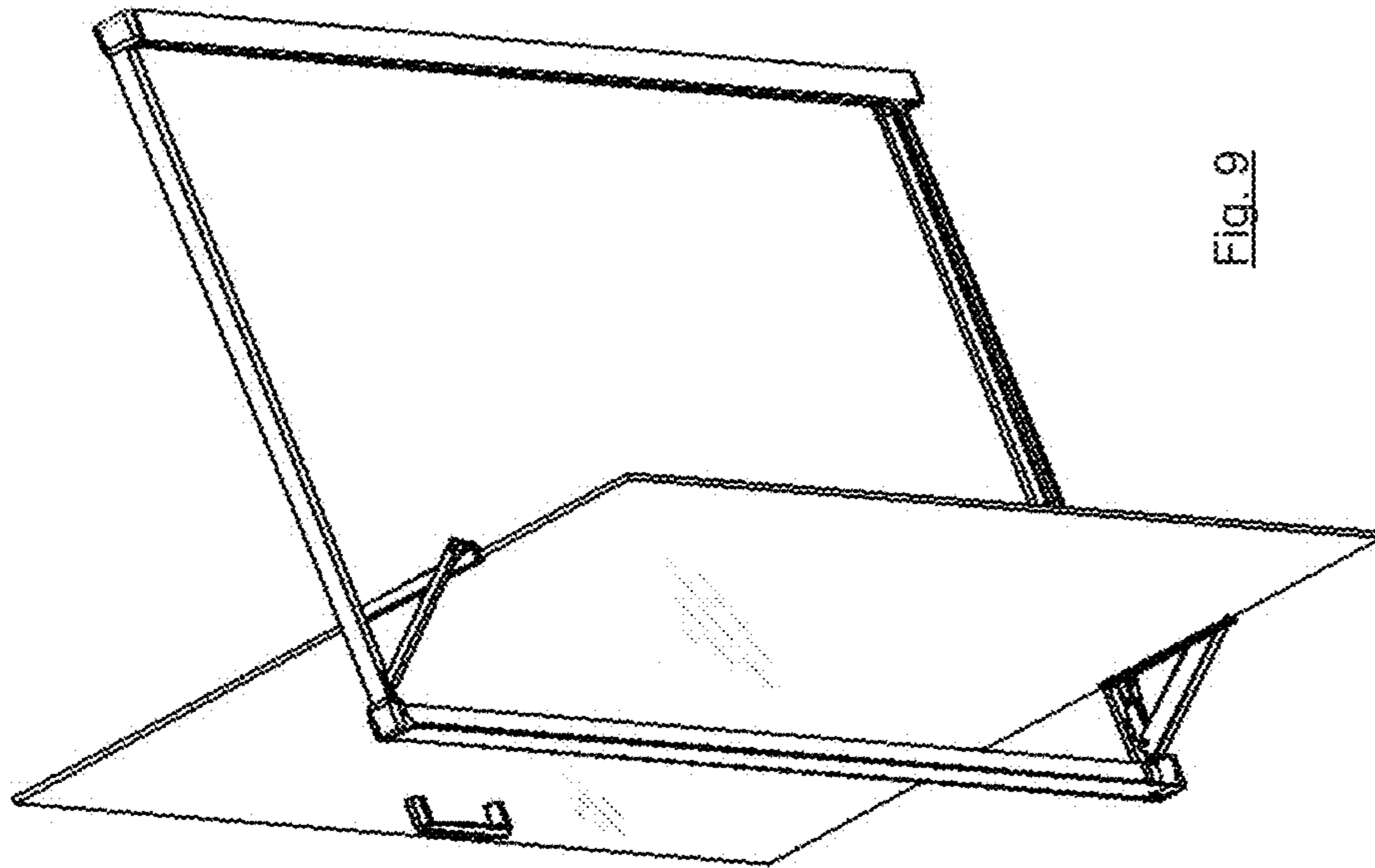


Fig. 9

Fig. 10

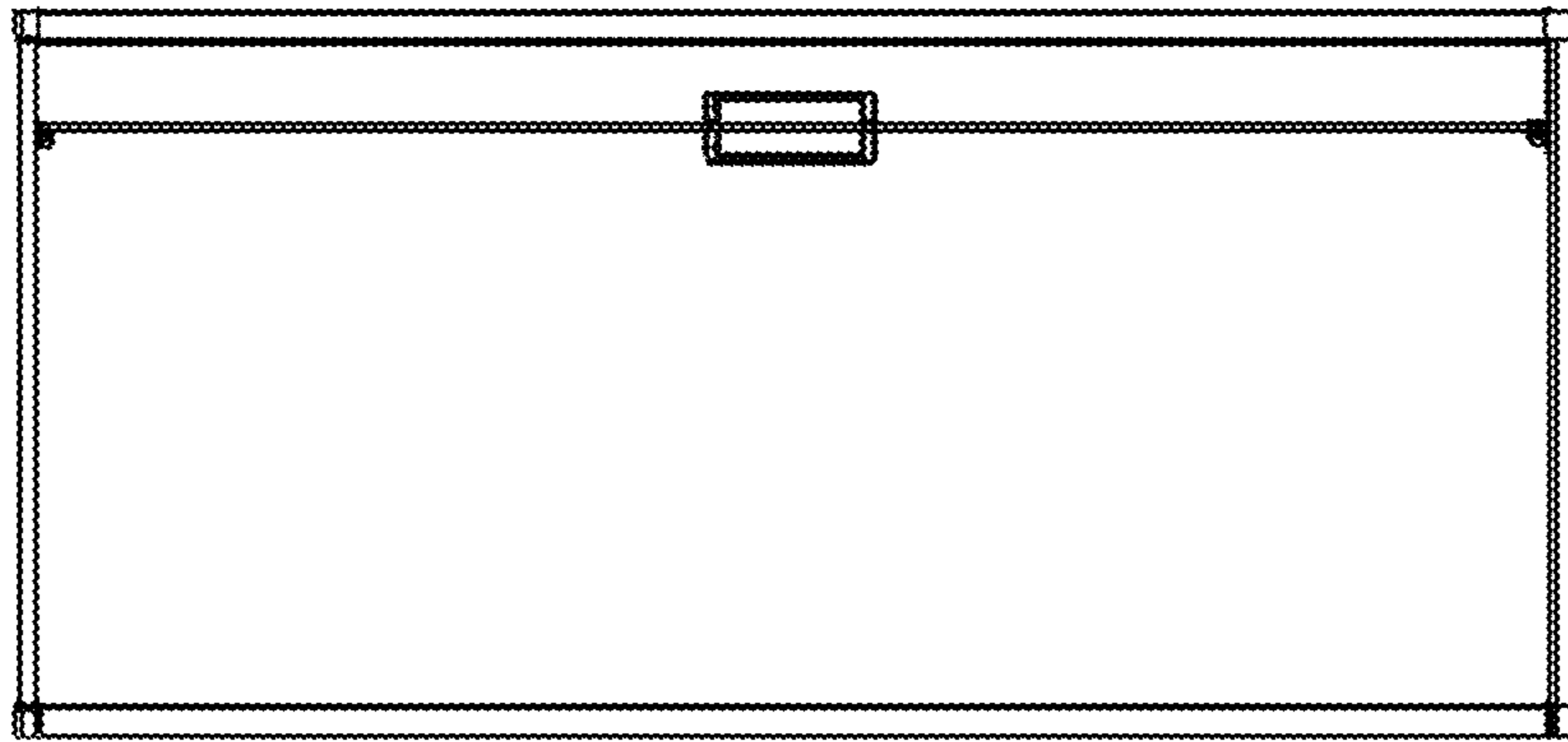


Fig. 11

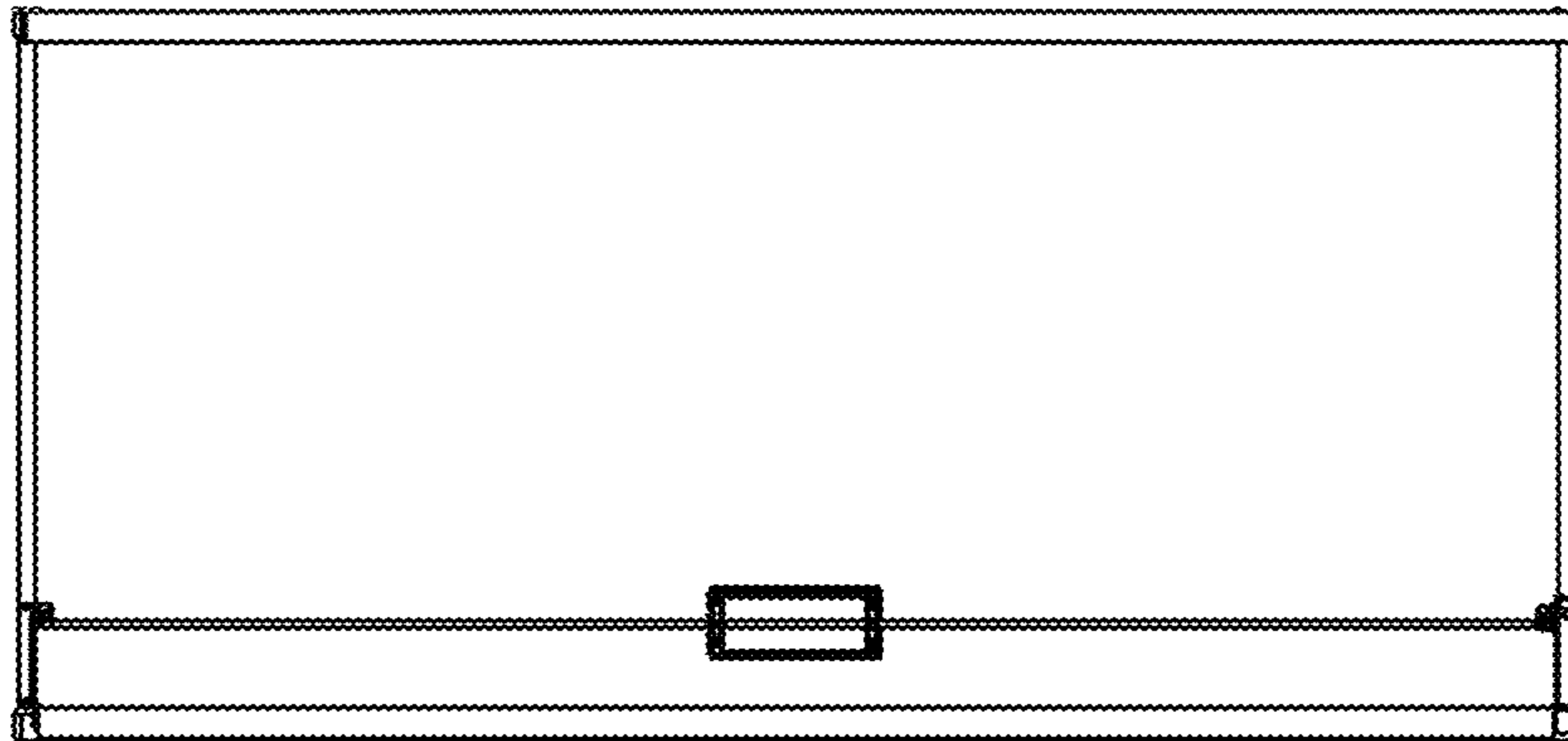


Fig. 12

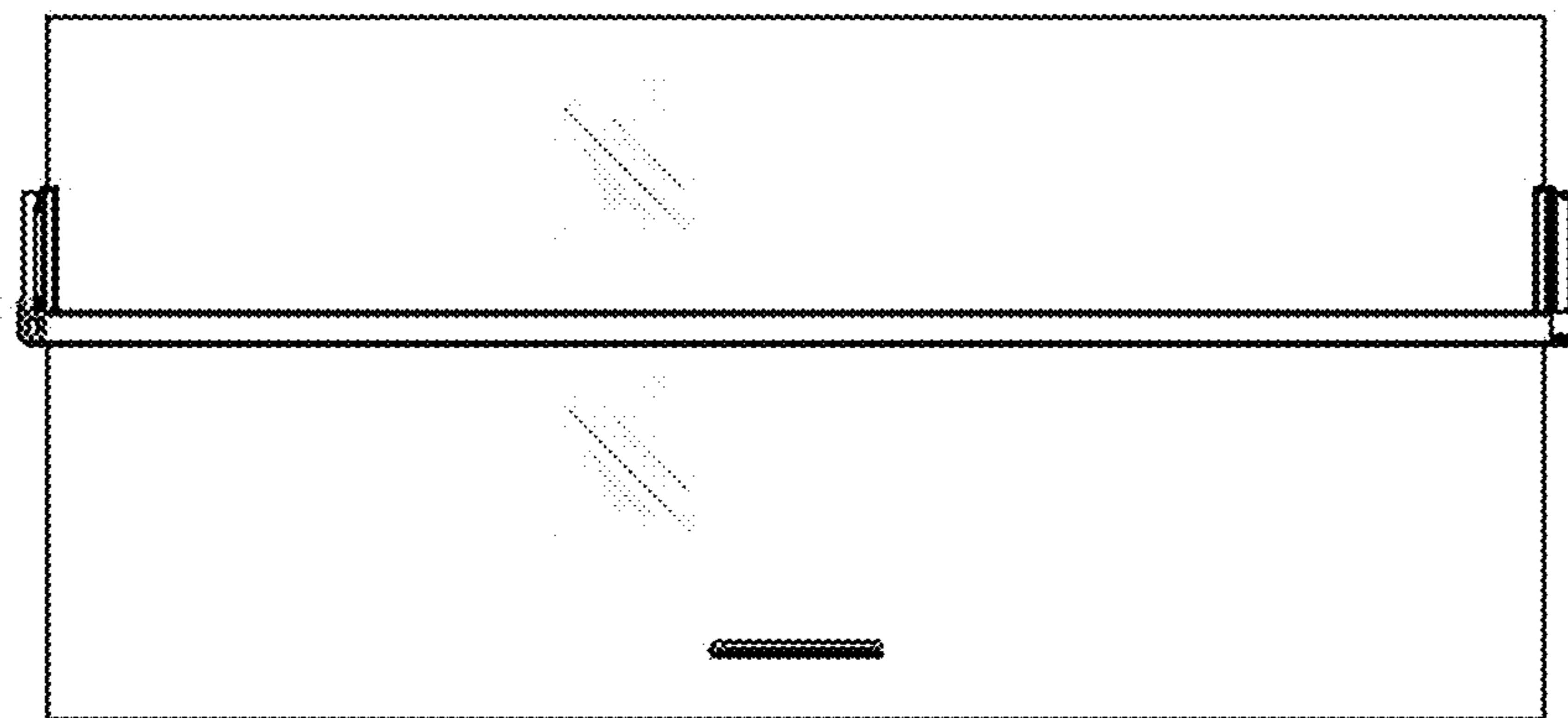
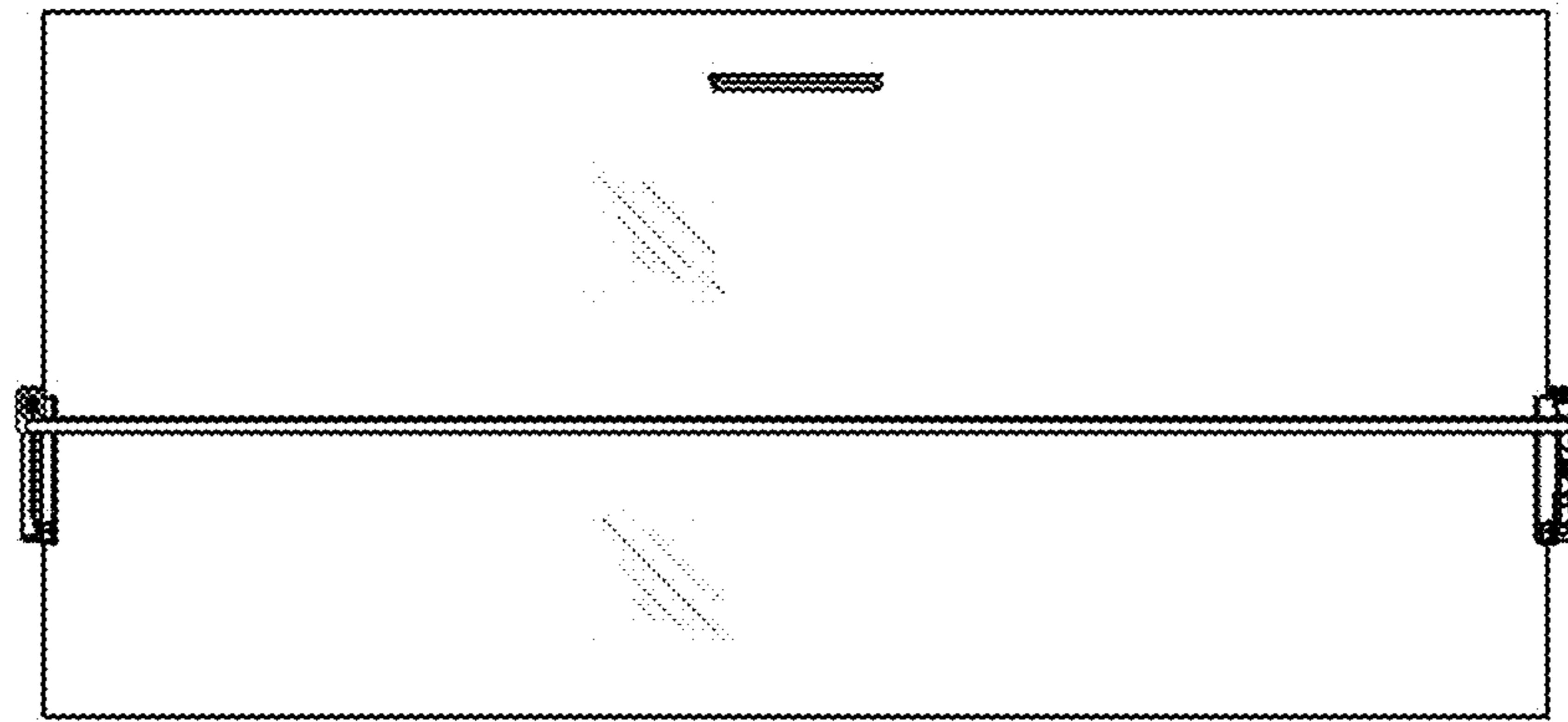


Fig. 13



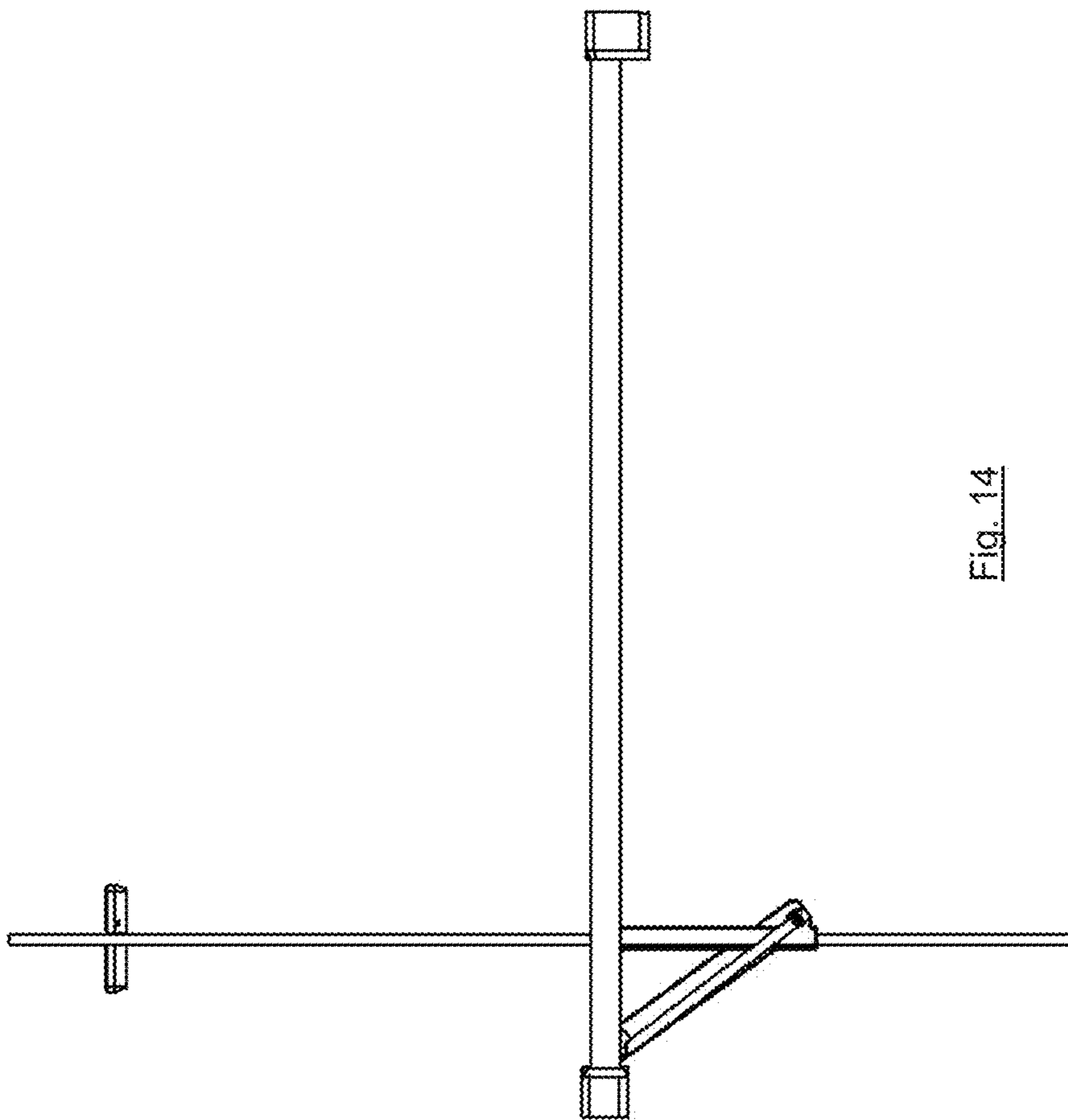


Fig. 14