



US00D897503S

(12) **United States Design Patent** (10) **Patent No.:** **US D897,503 S**
Hodge (45) **Date of Patent:** **** Sep. 29, 2020**

(54) DRAIN COVER	4,492,632 A *	1/1985	Mattson	B01D 29/114	210/167.05
(71) Applicant: Watts Regulator Co. , North Andover, MA (US)	D305,455 S *	1/1990	Stairs, Jr.	D23/254	
	D334,421 S *	3/1993	Gladfelter	D23/207	
	5,743,358 A *	4/1998	Bedi	B01D 35/306	123/196 R
(72) Inventor: Gary A. Hodge , Rutherfordton, NC (US)	D401,675 S *	11/1998	Stute	D23/260	
	D746,955 S *	1/2016	Corder	D23/261	
	D829,869 S *	10/2018	McClam	D23/260	
(73) Assignee: Watts Regulator Co. , North Andover, MA (US)	D881,338 S *	4/2020	Chen	D23/209	
	2001/0003217 A1 *	6/2001	Sorensen	A61H 33/6073	4/541.1
(**) Term: 15 Years	2011/0023221 A1 *	2/2011	Gibson	A47K 1/14	4/293

(21) Appl. No.: **29/676,490**

(22) Filed: **Jan. 11, 2019**

(51) **LOC (12) Cl.** **23-01**

(52) **U.S. Cl.**
USPC **D23/261**

(58) **Field of Classification Search**
USPC D23/209, 259-261, 388, 267, 268, 303, D23/397, 207-208, 230, 233, 236, 234, D23/237, 249, 307, 310; 4/286-289, 4/290-295, 507, 510, 650, 652, 679, 4/255.01-255.12; 138/90; 210/162-164, 210/132-133; 52/12, 16, 11, 169.5, 20, 52/302.1, 302.7, 311.3; D25/152-153, D25/155-157; 137/533.15, 533.11, 137/15.23; 251/314, 315, 357, 359-362, 251/368; D9/731, 435, 452

CPC E04D 2013/083
See application file for complete search history.

(56) **References Cited**

U.S. PATENT DOCUMENTS

1,574,288 A * 2/1926 Hohmeister E03D 13/00
4/306

1,830,065 A * 11/1931 Luff E04D 13/0409
210/165

* cited by examiner

Primary Examiner — Amy C Wierenga

(74) *Attorney, Agent, or Firm* — Burns & Levinson LLP;
George N. Chaclas; Marlo Schepper Grolnic

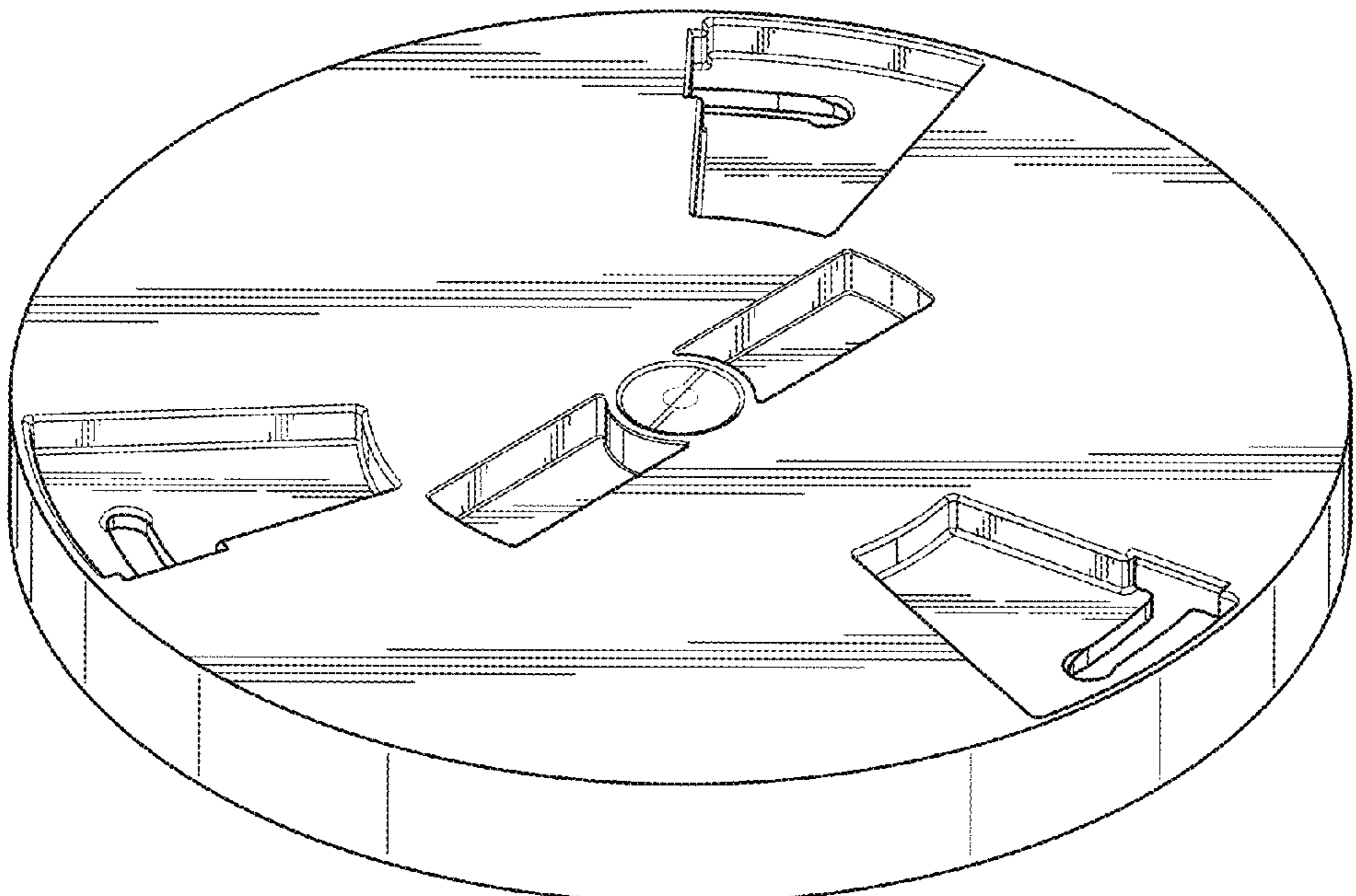
(57) **CLAIM**

The ornamental design for a drain cover, as shown and described.

DESCRIPTION

FIG. 1 is a top perspective view of the drain cover;
FIG. 2 is a side view of the drain cover;
FIG. 3 is another side view of the drain cover;
FIG. 4 is a top view of the drain cover; and,
FIG. 5 is a bottom view of the drain cover.

1 Claim, 4 Drawing Sheets



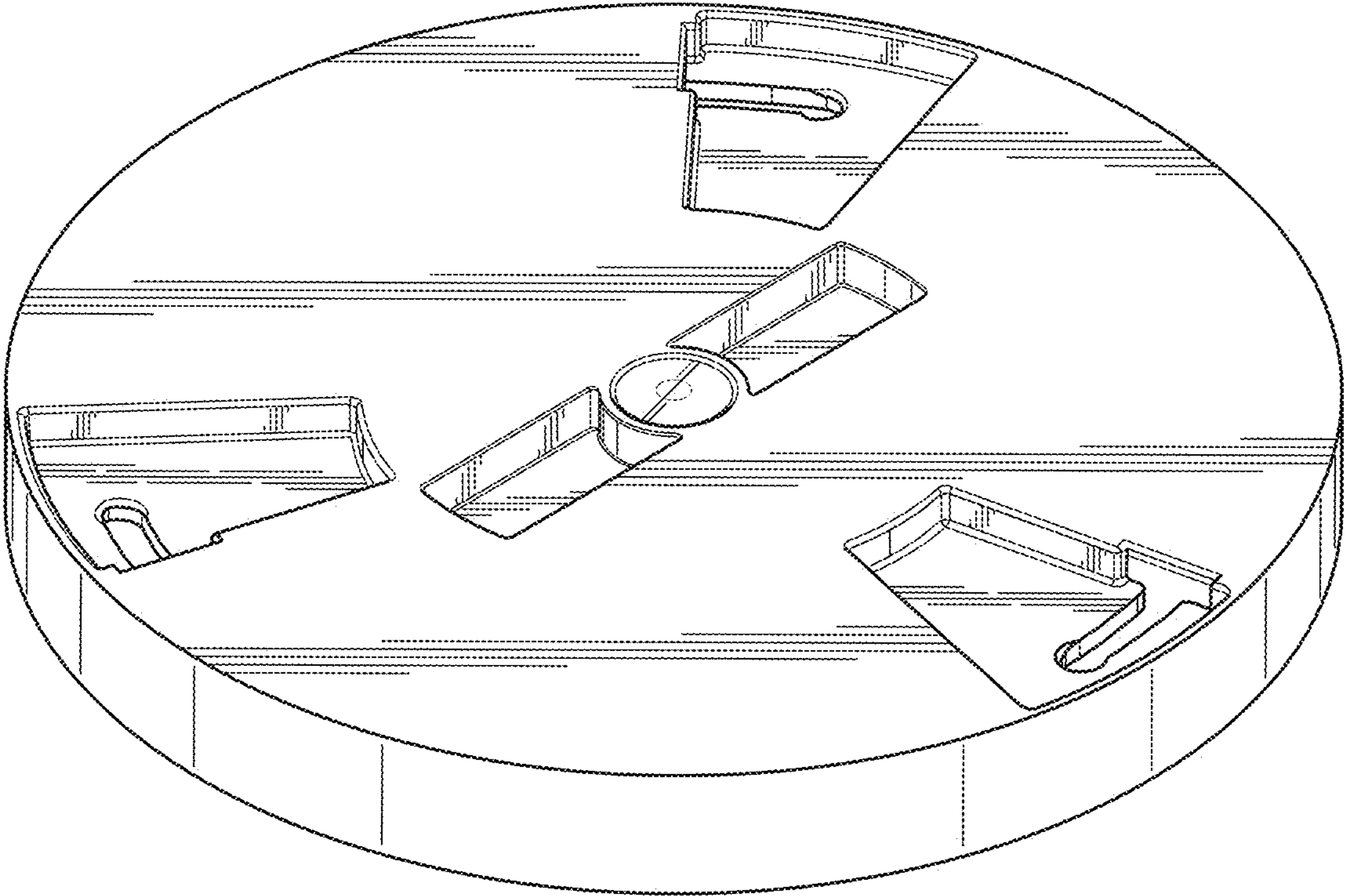


FIG. 1

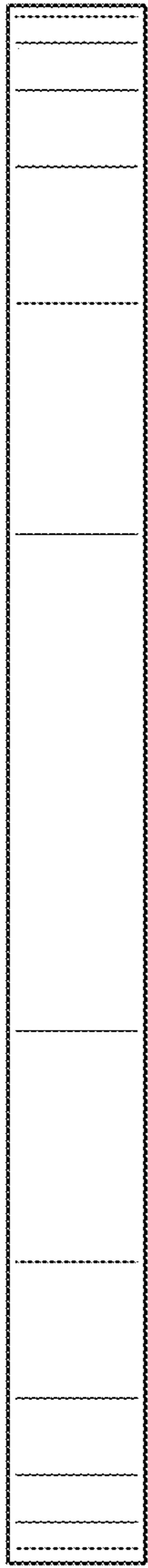


FIG. 2

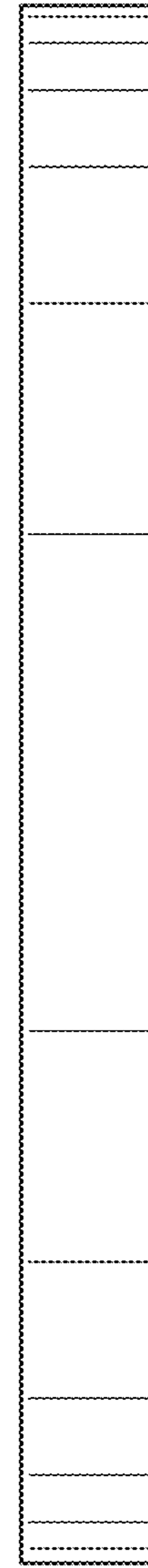


FIG. 3

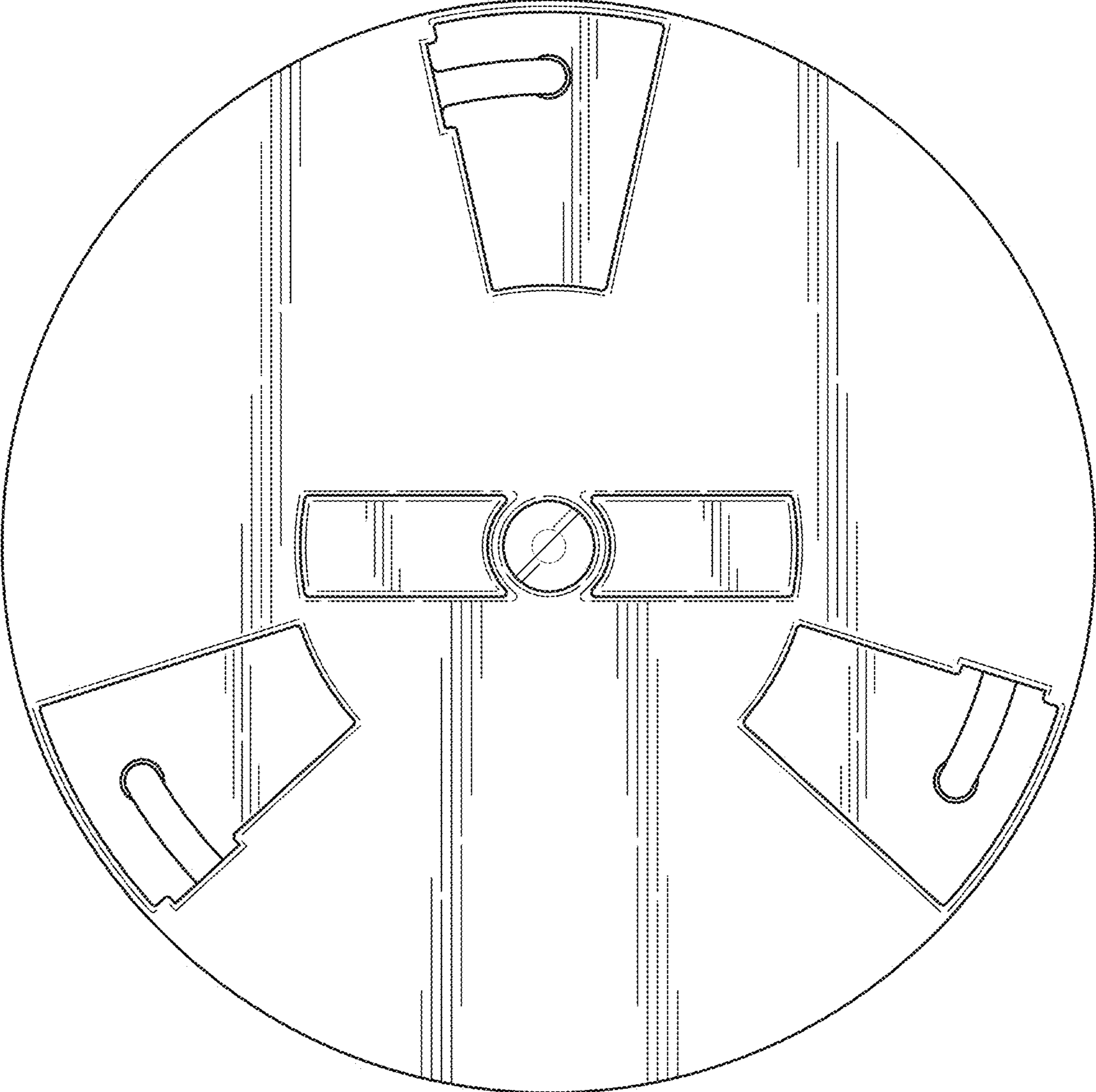


FIG. 4

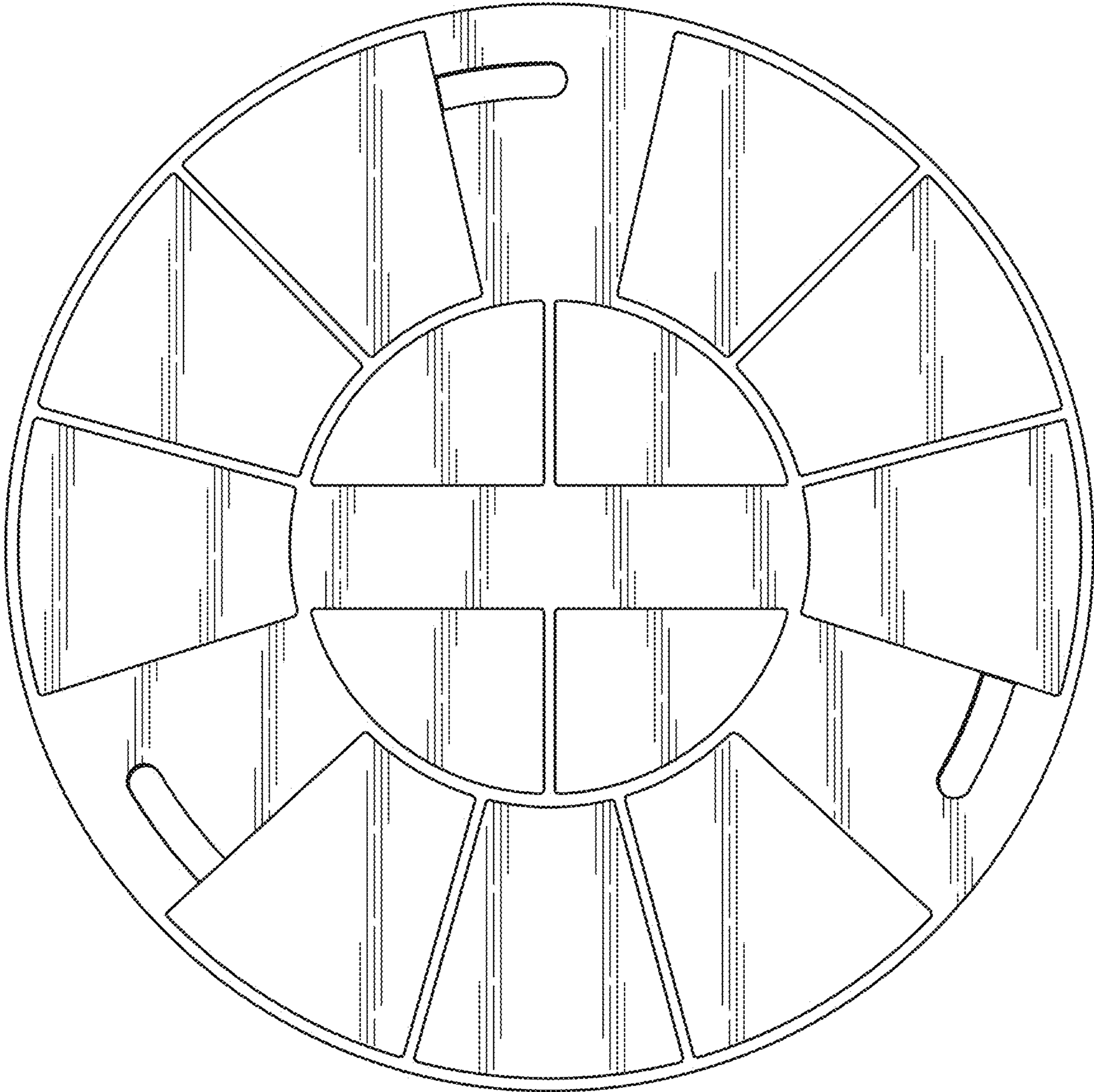


FIG. 5