



US00D897502S

(12) **United States Design Patent** (10) **Patent No.:** **US D897,502 S**
Kang et al. (45) **Date of Patent:** **** Sep. 29, 2020**

(54) **WATER TAP FOR WATER PURIFIER**

C02F 1/46; C02F 1/461; C02F 1/46104;
C02F 1/505; C02F 1/68; C02F
2001/46152;

(71) Applicant: **LG Electronics Inc.**, Seoul (KR)

(Continued)

(72) Inventors: **Sookyung Kang**, Seoul (KR);
Hyoungwon Roh, Seoul (KR);
Kyukwan Choi, Seoul (KR); **Najung
Cho**, Seoul (KR)

(56) **References Cited**

U.S. PATENT DOCUMENTS

D596,718 S * 7/2009 Soulier D23/255
D599,893 S * 9/2009 Sieger D23/255

(Continued)

(73) Assignee: **LG ELECTRONICS INC.**, Seoul
(KR)

Primary Examiner — Khawaja Anwar

(**) Term: **15 Years**

(74) *Attorney, Agent, or Firm* — Birch, Stewart, Kolasch
& Birch, LLP

(21) Appl. No.: **35/507,291**

(22) Filed: **Feb. 19, 2019**

(57) **CLAIM**

The ornamental design for a water tap for water purifier, as
shown and described.

(80) **Hague Agreement Data**

Int. Filing Date: **Feb. 19, 2019**

Int. Reg. No.: **DM/201223**

Int. Reg. Date: **Feb. 19, 2019**

Int. Reg. Pub. Date: **Aug. 23, 2019**

DESCRIPTION

(30) **Foreign Application Priority Data**

Aug. 27, 2018 (KR) 30-2018-0039783

(51) **LOC (12) Cl.** **23-02**

(52) **U.S. Cl.**
USPC **D23/255**

(58) **Field of Classification Search**

USPC D23/238–255

CPC C02F 1/283; C02F 2209/40; C02F 1/001;
C02F 1/008; C02F 1/78; C02F 1/004;
C02F 1/32; C02F 1/325; C02F 1/42;
C02F 1/441; C02F 2001/425; C02F
2101/12; C02F 2101/322; C02F
2201/005; C02F 2209/008; C02F
2209/02; C02F 2209/06; C02F 2209/42;
C02F 9/00; C02F 9/005; C02F 1/003;
C02F 1/02; C02F 1/20; C02F 1/281;

1. Water tap for water purifier

1.1 : Perspective

1.2 : Front

1.3 : Back

1.4 : Left

1.5 : Top

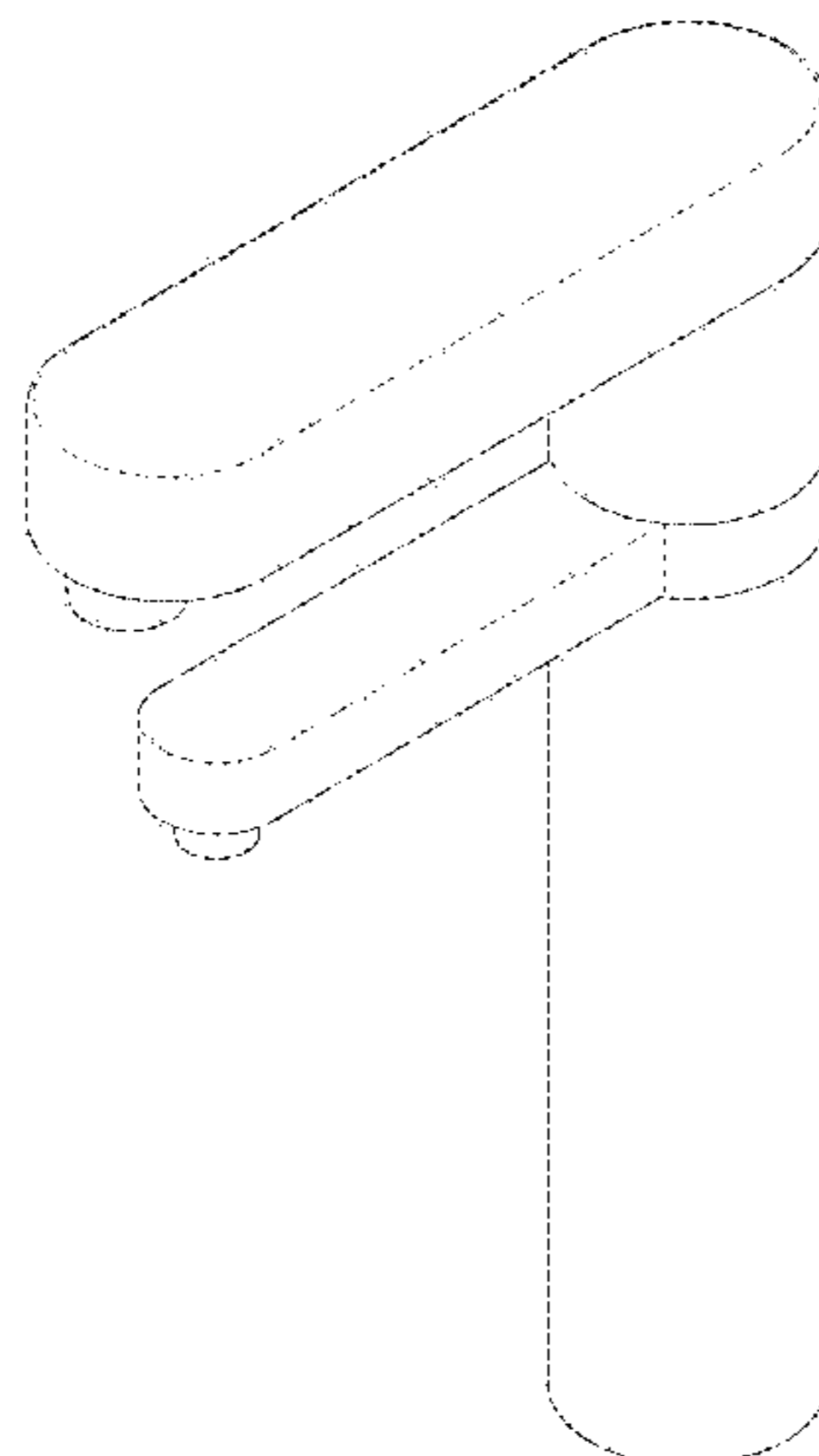
1.6 : Bottom

1.7 : Reference view

1.8 : Reference view 2

The broken lines depict portions of water tap for water
purifier that form no part of the claimed design; reproduction
1.1 is a front perspective view of the water tap for water
purifier; reproduction 1.2 is a front view thereof; reproduc-
tion 1.3 is a back view thereof; reproduction 1.4 is a left view
thereof where the right view is a mirror image; reproduction
1.5 is a top view thereof; reproduction 1.6 is a bottom view
thereof; reproduction 1.7 is a reference view thereof show-
ing an example of the usage of the subject design in which
the claimed design installed at a sink, and forms no part of
the claimed design; reproduction 1.8 is a reference view
thereof showing the upper and lower water outlet parts are

(Continued)



able to rotate 180 degrees and the touch type buttons have been operated, and form no part of the claimed design.

1 Claim, 8 Drawing Sheets

(58) Field of Classification Search

CPC C02F 2101/101; C02F 2101/103; C02F 2101/20; C02F 2101/305; C02F 2103/002; C02F 2103/06; C02F 2201/002; C02F 2201/004; C02F 2201/007; C02F 2201/4611; C02F 2201/46155; C02F 2209/005; C02F 2209/006; C02F 2209/03; C02F 2209/05; C02F 2303/04; C02F 2303/16; C02F 2303/24; C02F 2307/06; C02F 2307/10; C02F 2307/14; C02F 3/006; C02F 5/10; E03C 1/04; E03C 1/025; E03C 1/057; E03C 2001/0415; E03C 2201/40; E03C 1/041; E03C 1/044; E03C 1/14; E03C

1/23; E03C 1/32; E03C 2201/30; E03C 1/021; E03C 1/023; E03C 1/0401; E03C 1/0403; E03C 1/0404; E03C 1/0405; E03C 1/0408; E03C 1/0411; E03C 1/055; E03C 1/066; E03C 1/08; E03C 1/084; E03C 1/18; E03C 1/24; E03C 2001/026; E03C 2001/0414; E03C 2201/45; E03C 2201/09

See application file for complete search history.

(56)

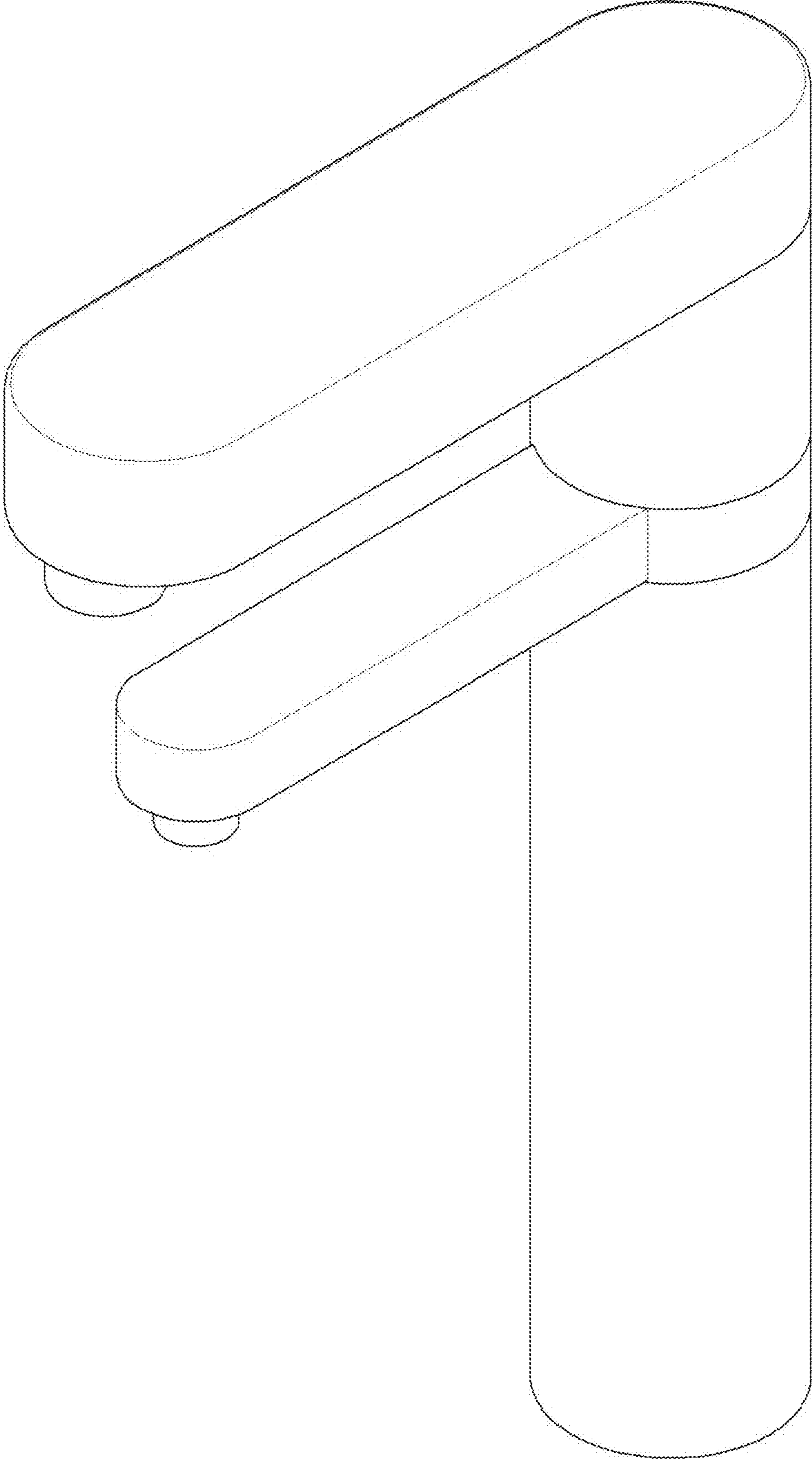
References Cited

U.S. PATENT DOCUMENTS

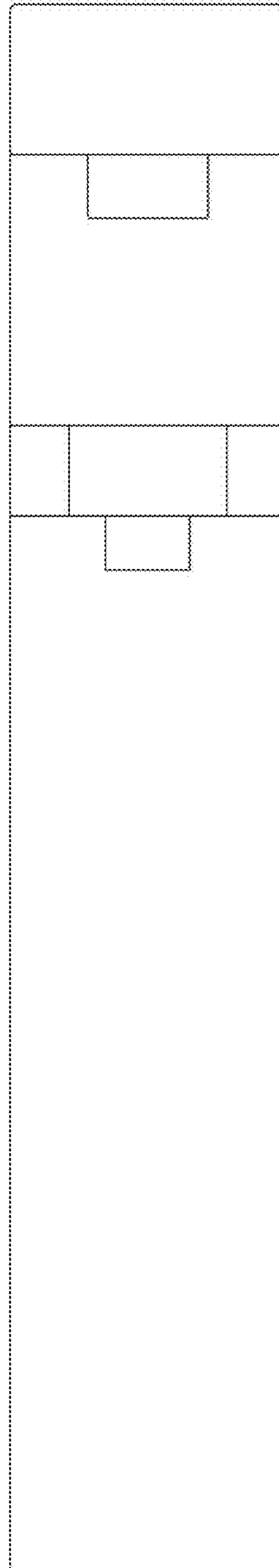
D605,259	S	*	12/2009	Scharf	D23/255
D693,441	S	*	11/2013	Starck	D23/255
D694,373	S	*	11/2013	Starck	D23/255
D694,374	S	*	11/2013	Starck	D23/255
D719,645	S	*	12/2014	Starck	D23/255
D848,581	S	*	5/2019	Fritz	D23/255
D882,737	S	*	4/2020	Meyers	D23/255

* cited by examiner

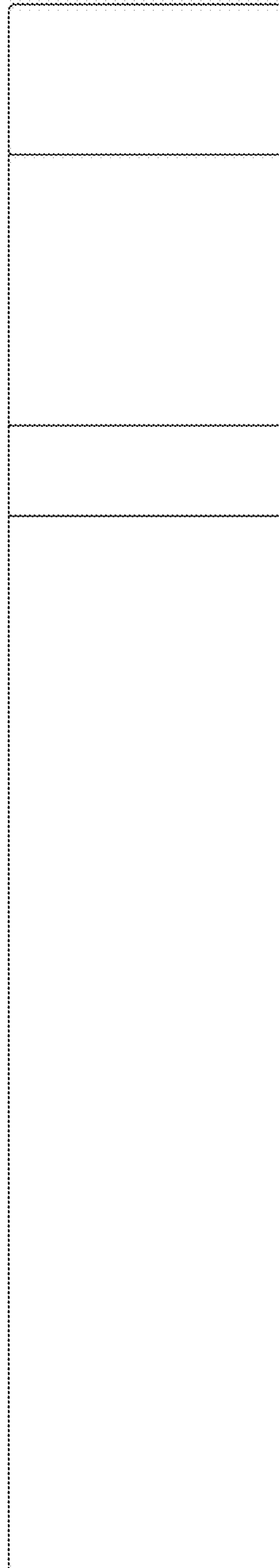
1.1



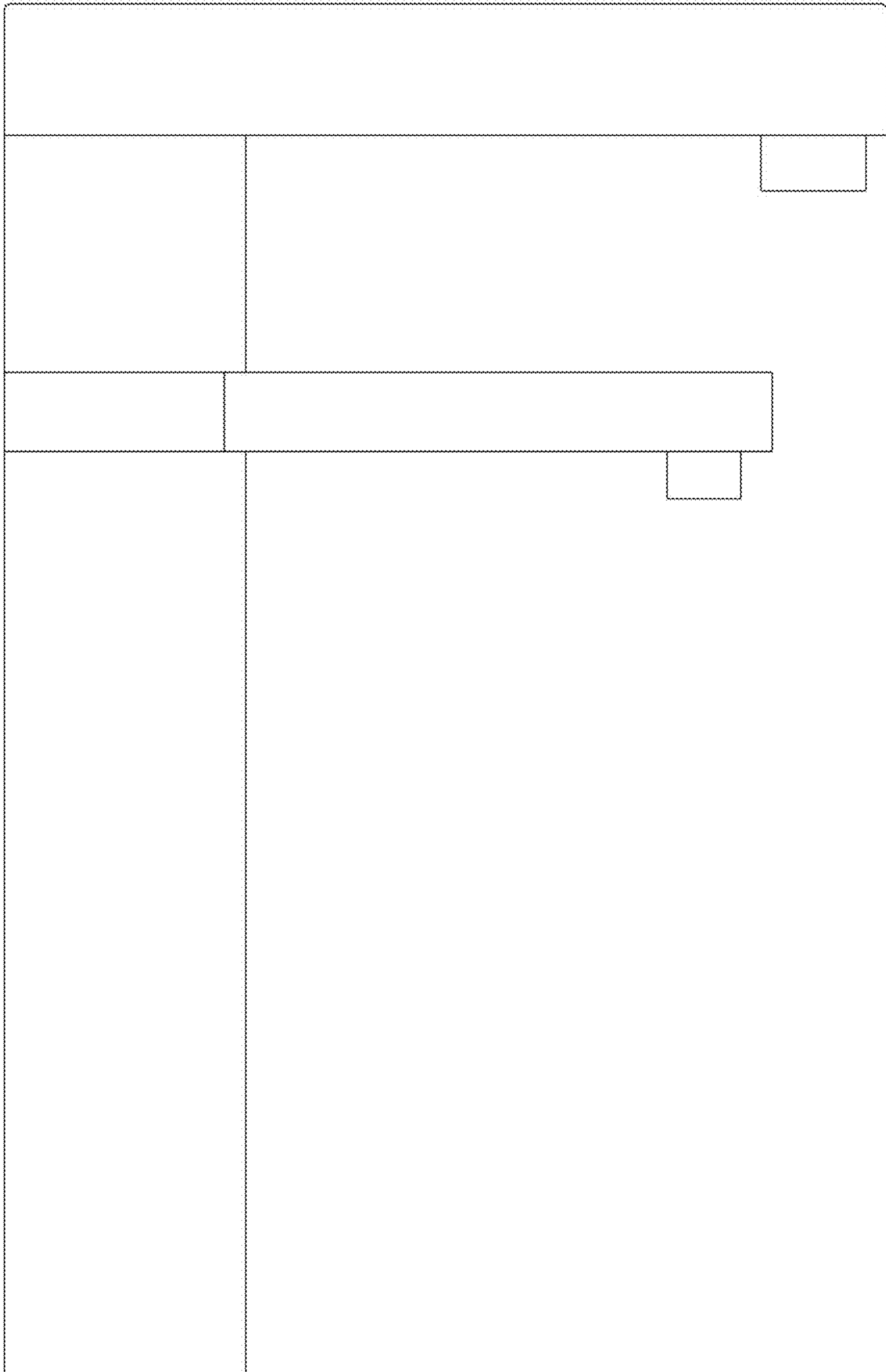
1.2



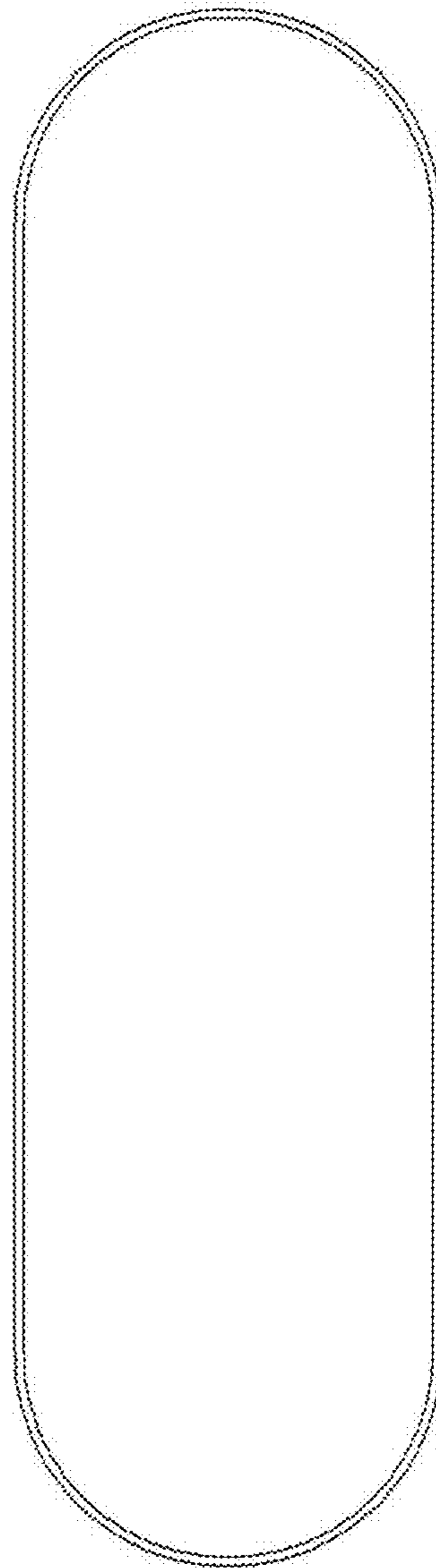
1.3



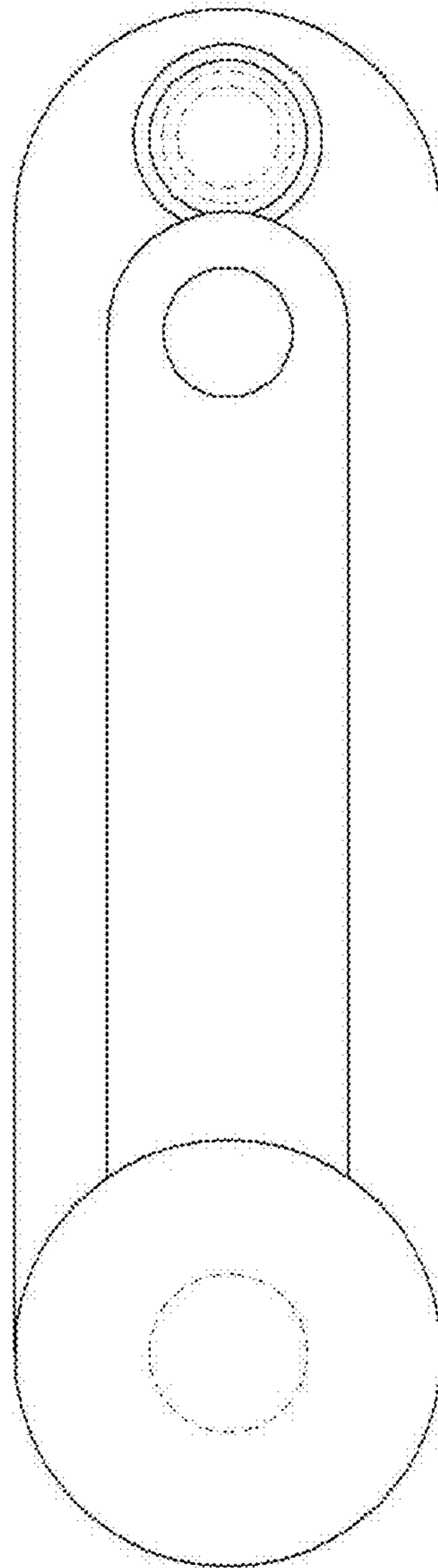
1.4



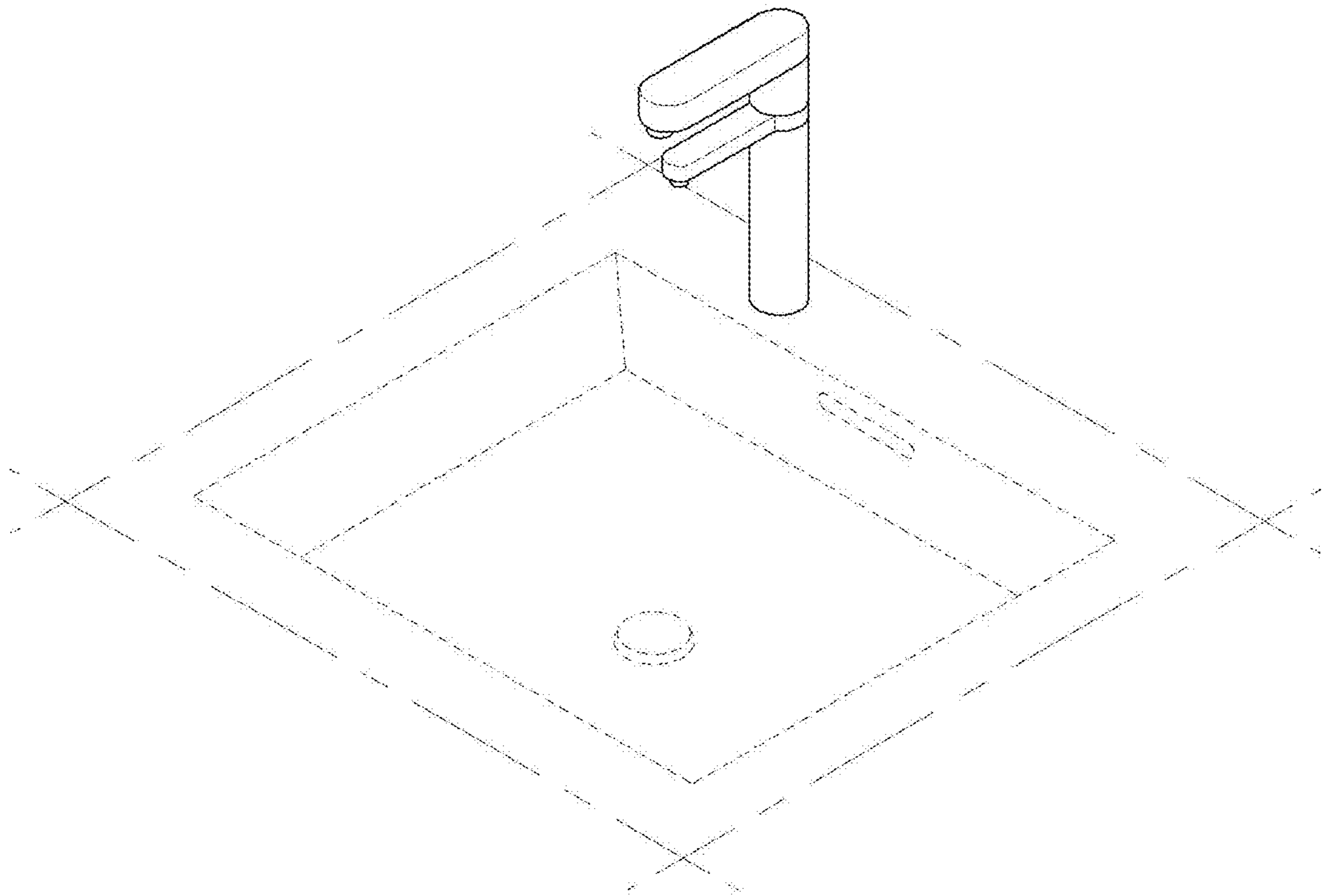
1.5



1.6



1.7



1.8

